

[54] **PORTABLE INSULATED CHEST**

D. 259,760 7/1981 Lucas et al. D7/77

[75] **Inventors:** James J. J. Costello, Houston, Tex.;
William A. Prindle, Santa Barbara,
Calif.

[73] **Assignee:** Igloo Products Corporation, Houston,
Tex.

[**] **Term:** 14 Years

[21] **Appl. No.:** 162,152

[22] **Filed:** Feb. 29, 1988

[52] **U.S. Cl.** D7/605

[58] **Field of Search** D7/76, 77; D3/30.1;
62/371, 457.1, 457.6; 220/902, 410, 318;
206/546

[56] **References Cited**

U.S. PATENT DOCUMENTS

D. 180,490 6/1957 Lunan D7/77 X

OTHER PUBLICATIONS

Cover of brochure entitled *Igloo The Best Choice 1988*, undated and unpaginated.

Survey sheet entitled *1987 O.L.P. Survey Sheet*, published by King-Sealy, dated 10/1/86, unpaginated.

Primary Examiner—Charles A. Rademaker

Assistant Examiner—Terry A. Pfeffer

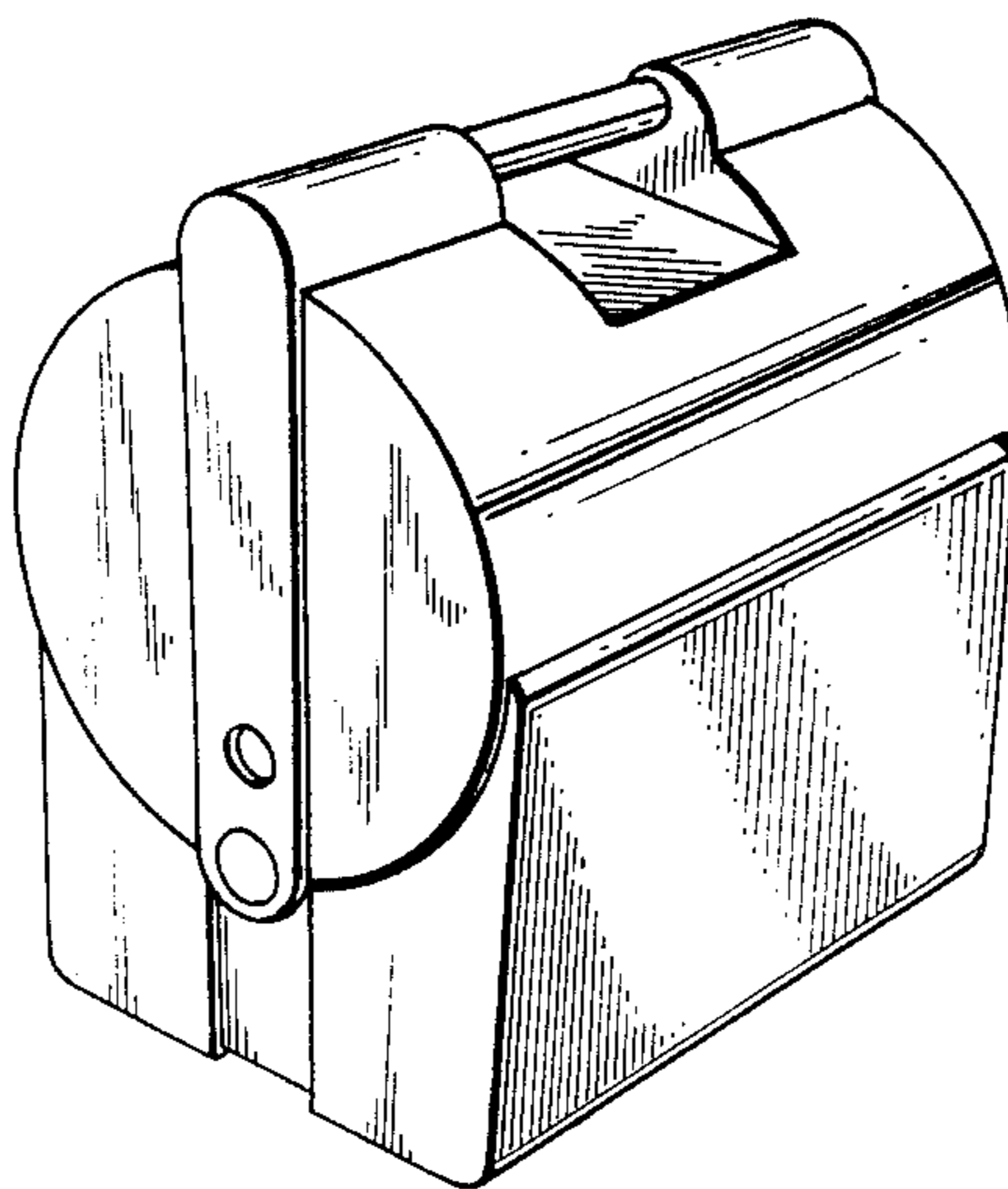
Attorney, Agent, or Firm—Cushman, Darby & Cushman

[57] **CLAIM**

The ornamental design for a portable insulated chest, as shown.

DESCRIPTION

FIG. 1 is a top, front, right side perspective view of a portable insulated chest showing our new design; and FIG. 2 is a bottom, rear, left side perspective view thereof.



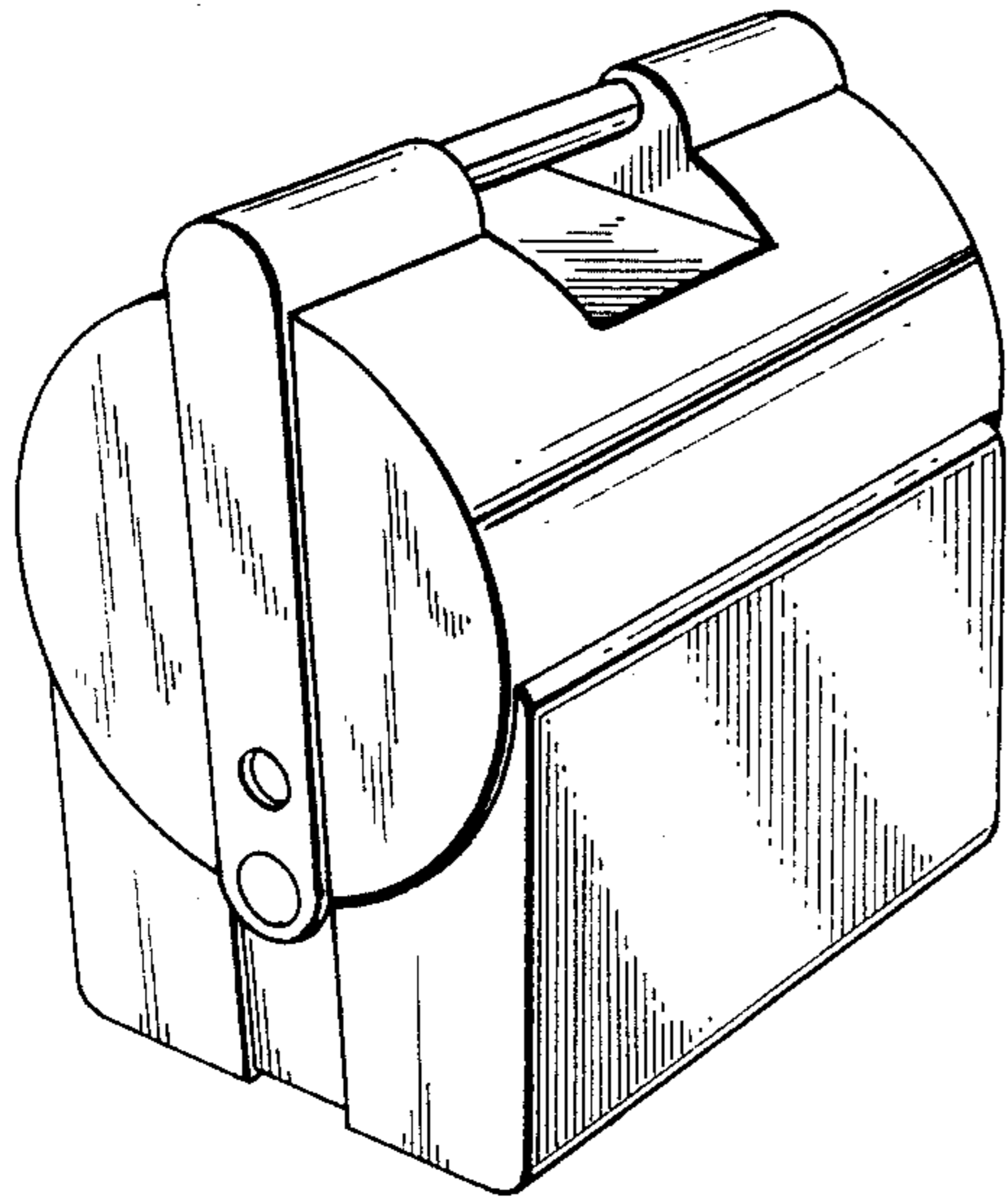


Fig. 1

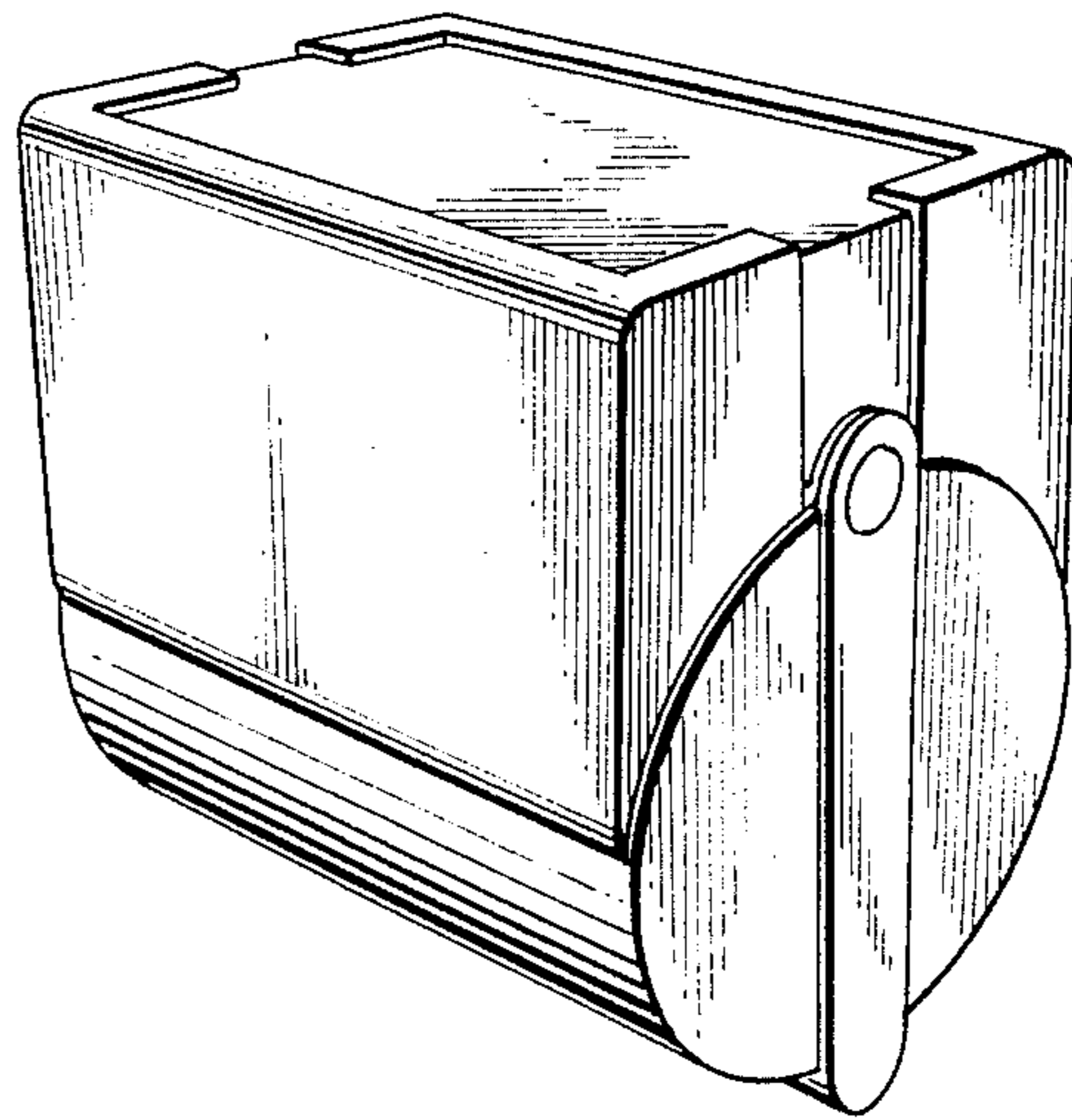


Fig. 2