

[54] **EARRING DISPLAY STAND**

[76] **Inventor:** Janet L. Stewart, 1825 Tecalote Dr., Fallbrook, Calif. 92028

[\*\*] **Term:** 14 Years

[21] **Appl. No.:** 333,598

[22] **Filed:** Mar. 29, 1989

**Related U.S. Application Data**

[62] Division of Ser. No. 869,923, Jun. 2, 1986.

[52] **U.S. Cl.** ..... D6/467; D6/468; D6/469

[58] **Field of Search** ..... D6/462, 466, 467, 468, D6/469, 487; 211/13, 163

[56] **References Cited**

**U.S. PATENT DOCUMENTS**

D. 163,617	6/1951	Lilja .....	D6/467 X
D. 234,381	2/1975	Berger .....	D6/469
D. 242,670	12/1976	Northup .....	D6/469 X
D. 252,899	9/1979	Campbell .....	D6/469
D. 260,341	8/1981	Harrison .....	D6/487 X
D. 284,415	6/1986	Cahoon .....	D6/487 X
D. 297,595	9/1988	Sawai .....	D6/469 X
4,671,415	6/1987	Manhart .....	D6/467 X

*Primary Examiner*—Bruce W. Dunkins

*Assistant Examiner*—Jeffrey Asch

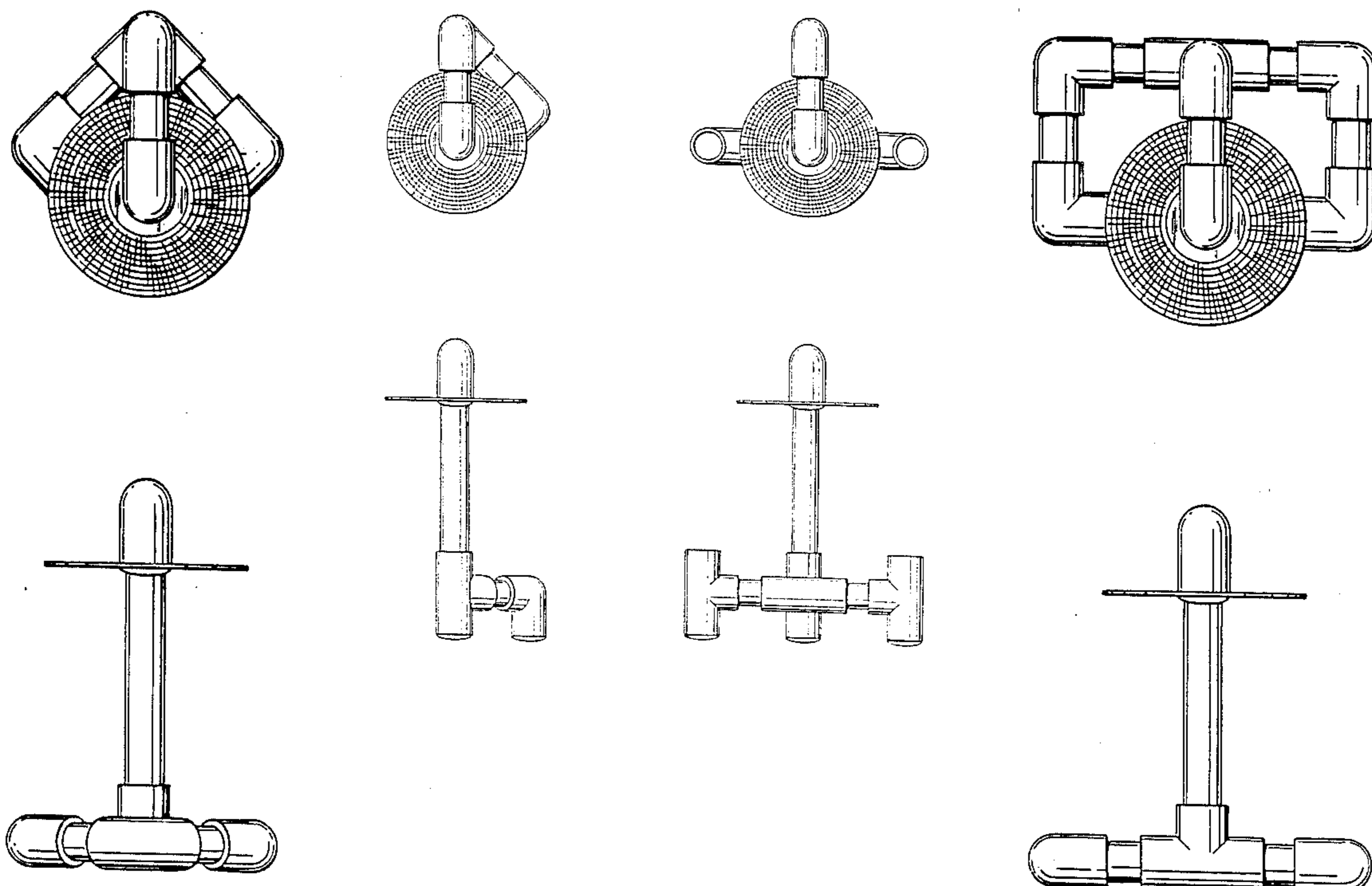
*Attorney, Agent, or Firm*—Duane C. Bowen

[57] **CLAIM**

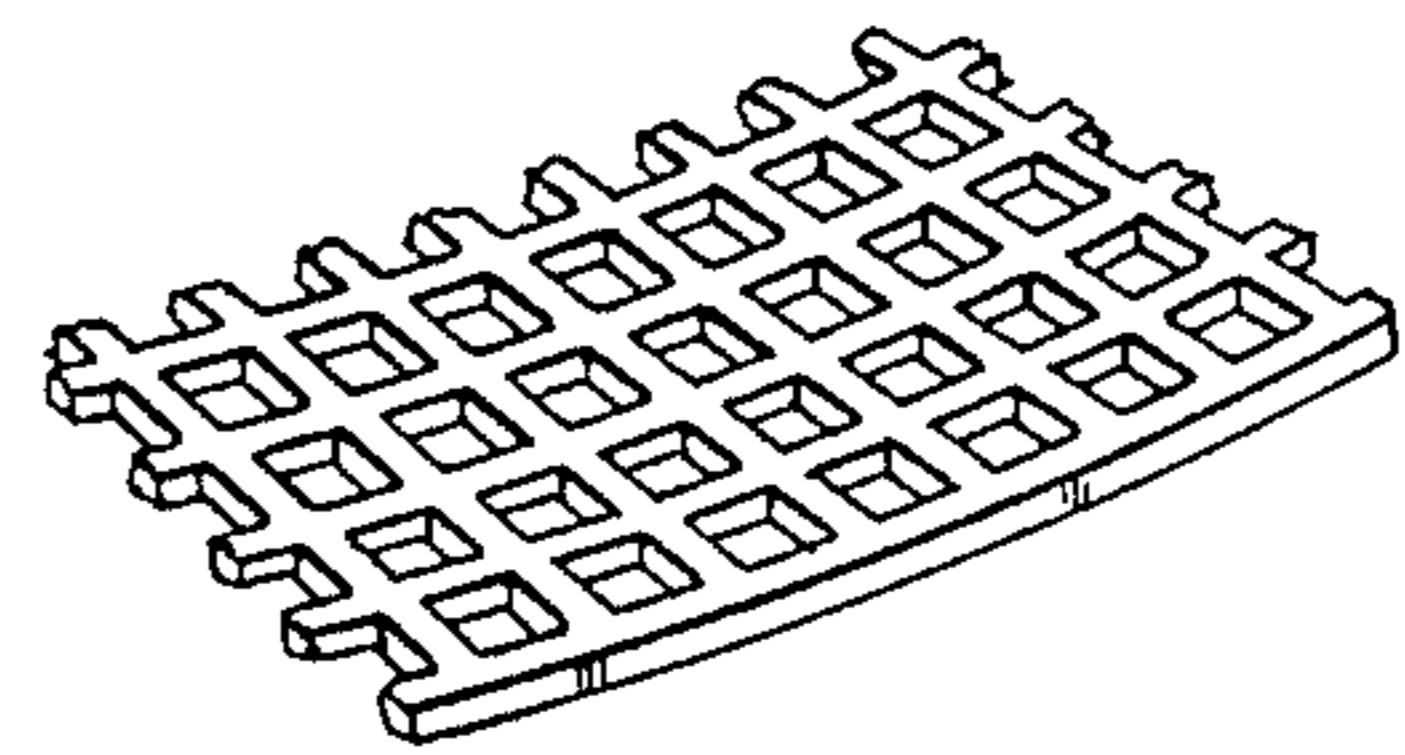
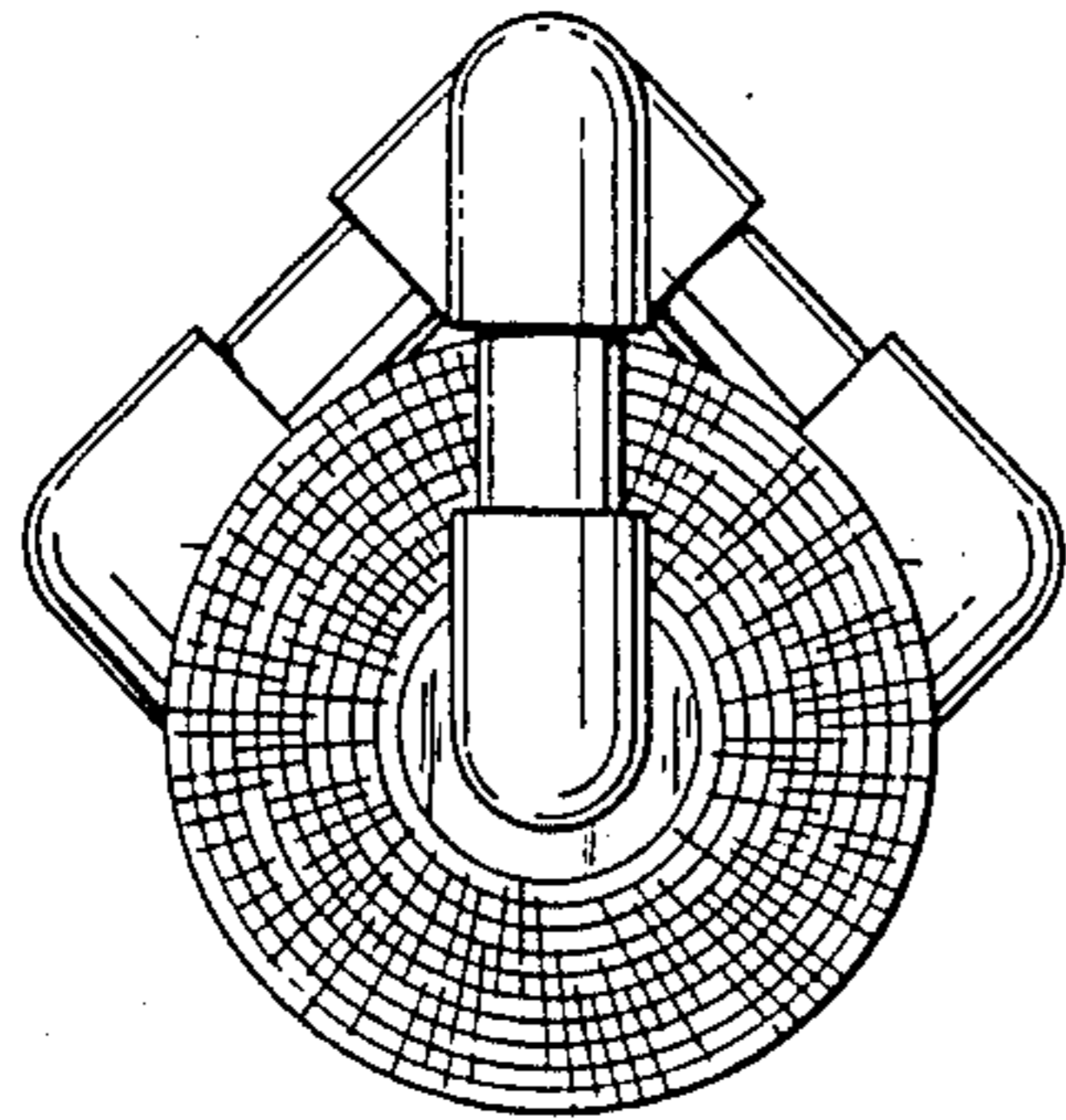
The ornamental design for earring display stand, as shown and described.

**DESCRIPTION**

FIG. 1 is a front elevational view of an earring display stand showing my new design; FIG. 2 is a top plan view thereof; FIG. 3 is a right side elevational view, the left side being a mirror image thereof; FIG. 4 is a bottom plan view thereof; FIG. 5 is a rear elevational view thereof; FIG. 6 is an enlarged fragmentary portion of the circular perforated plate; FIG. 7 is a front elevational view of a second embodiment of the earring display stand shown in FIG. 1, the rear being a mirror image thereof; FIG. 8 is a top plan view thereof; FIG. 9 is a right side elevational view thereof; FIG. 10 is a bottom plan view thereof; FIG. 11 is a left side elevational view thereof; FIG. 12 is an enlarged fragmentary portion of the circular perforated plate; FIG. 13 is a front elevational view of a third embodiment of the earring display stand shown in FIG. 1; FIG. 14 is a top plan view thereof; FIG. 15 is a right side elevational view, the left side being a mirror image thereof; FIG. 16 is a bottom plan view thereof; FIG. 17 is a rear elevational view thereof; FIG. 18 is an enlarged fragmentary portion of the circular perforated plate; FIG. 19 is a front elevational view of a fourth embodiment of the earring display stand shown in FIG. 1; FIG. 20 is a top plan view thereof; FIG. 21 is a right side elevational view, the left side being a mirror image thereof; FIG. 22 is a bottom plan view thereof; FIG. 23 is a rear elevational view thereof; and FIG. 24 is an enlarged fragmentary portion of the circular perforated plate.

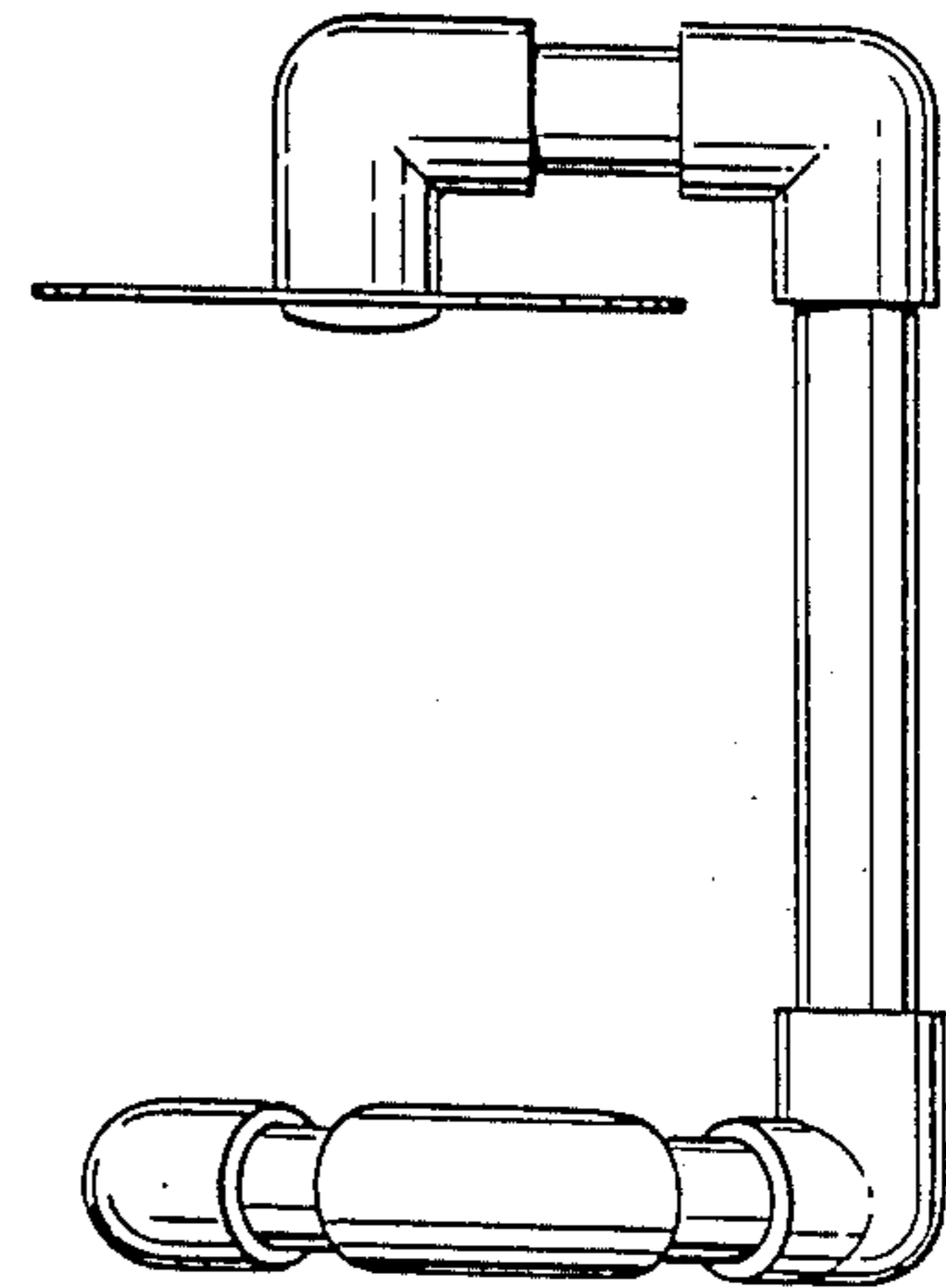
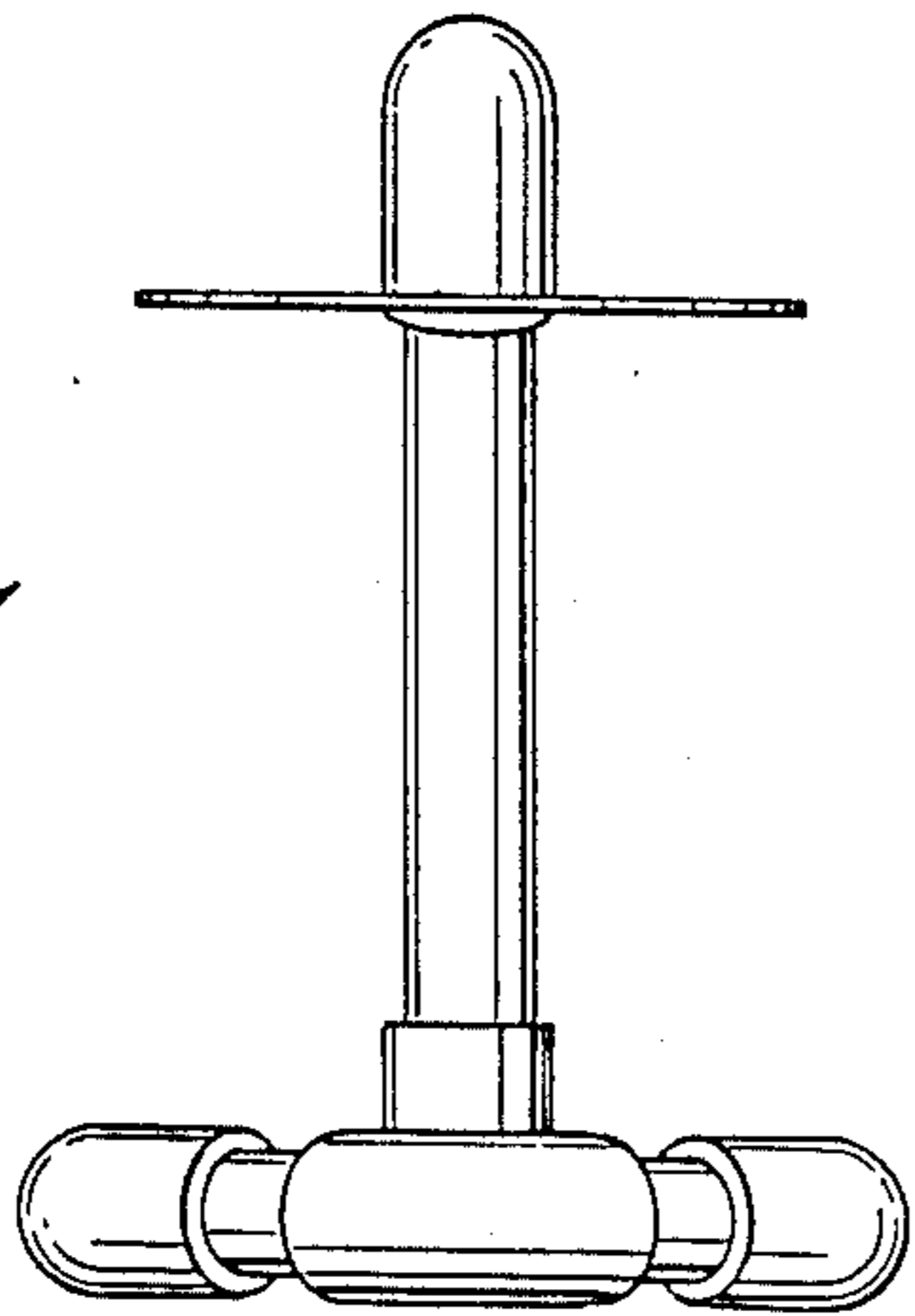


*Fig. 2*



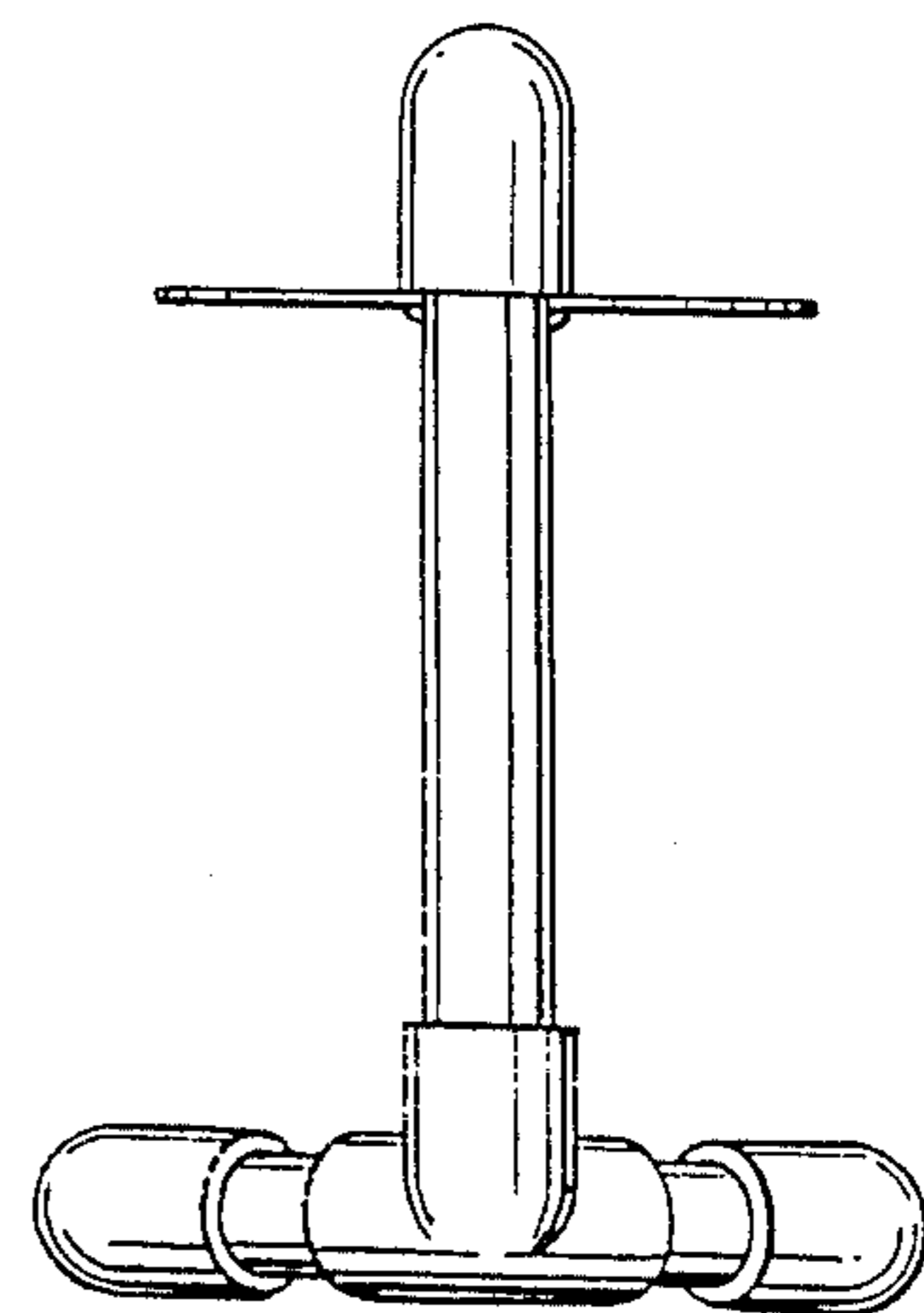
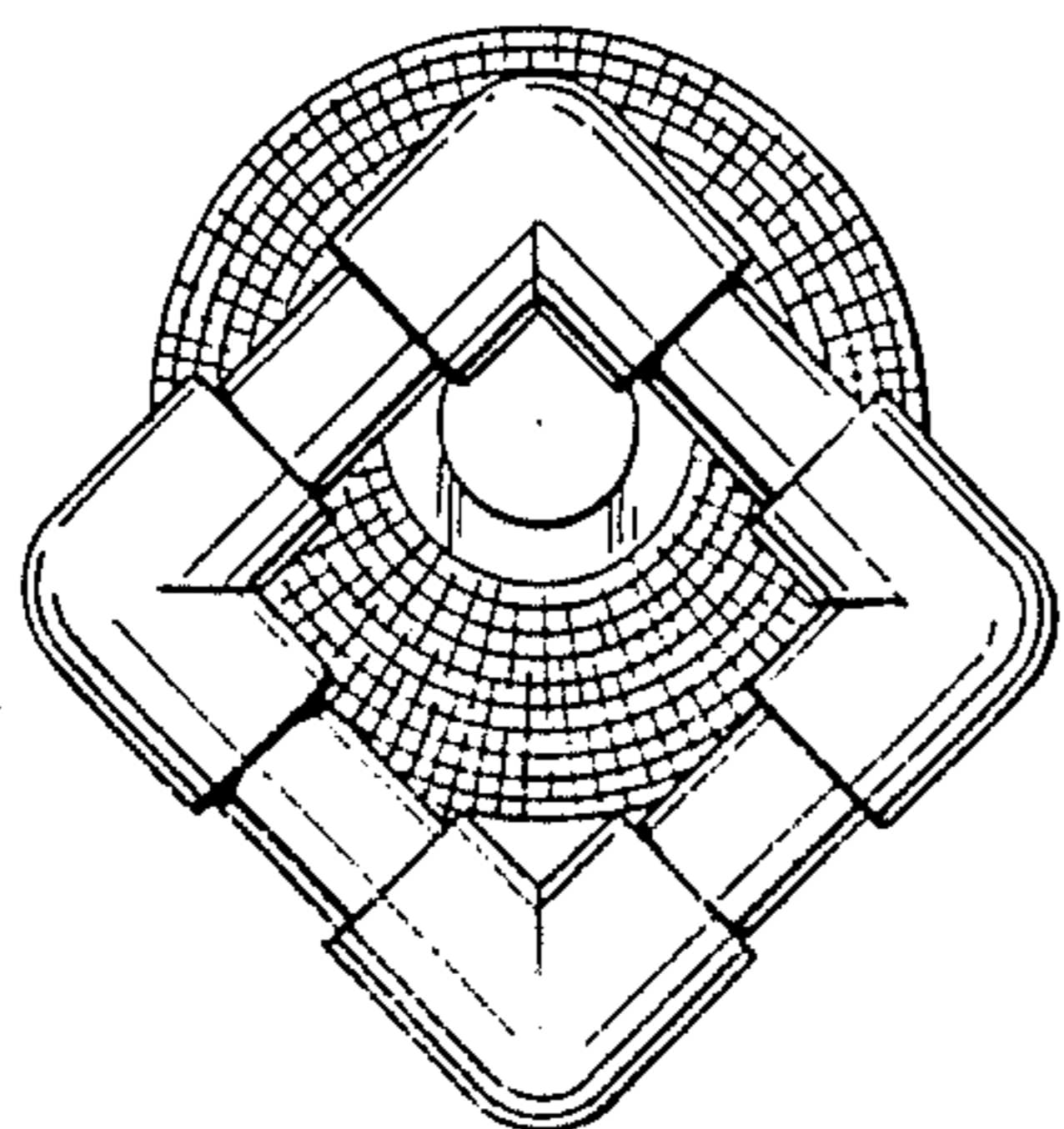
*Fig. 6*

*Fig. 1*



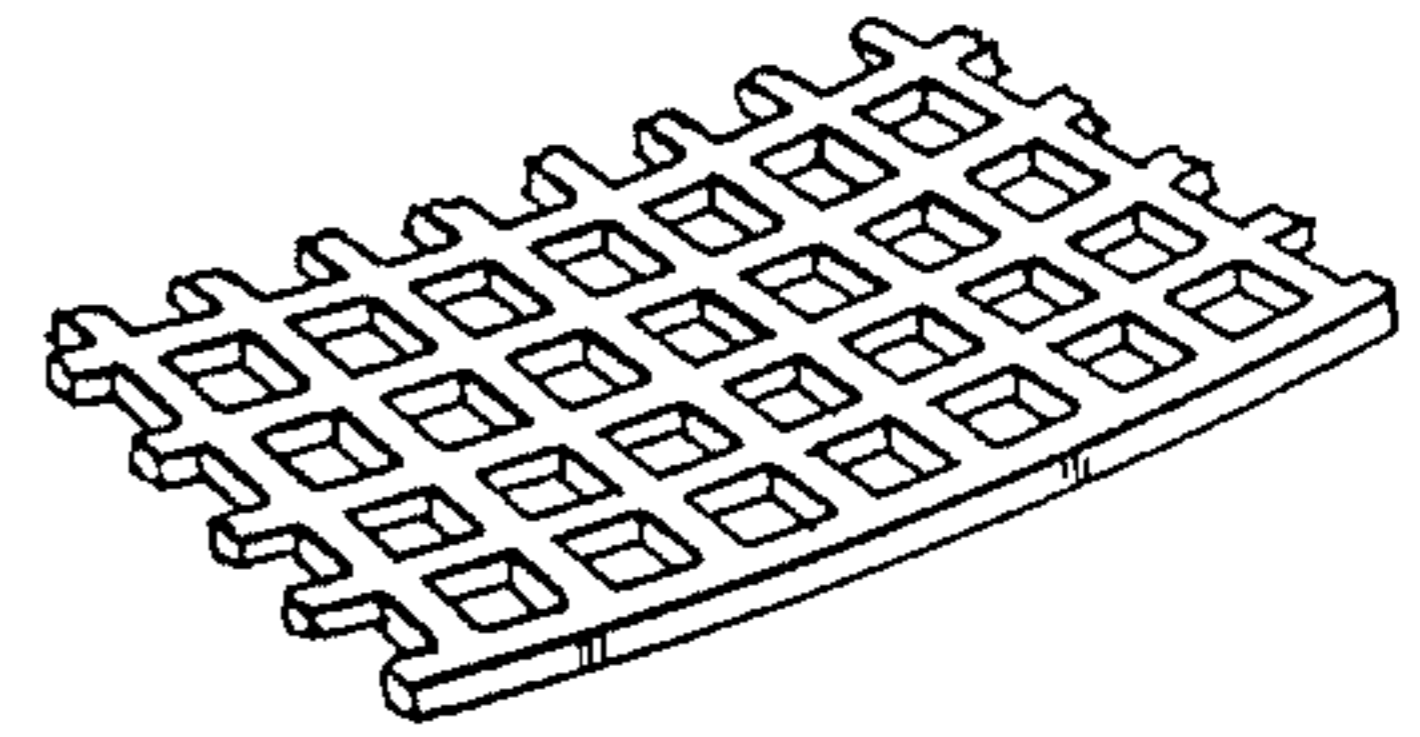
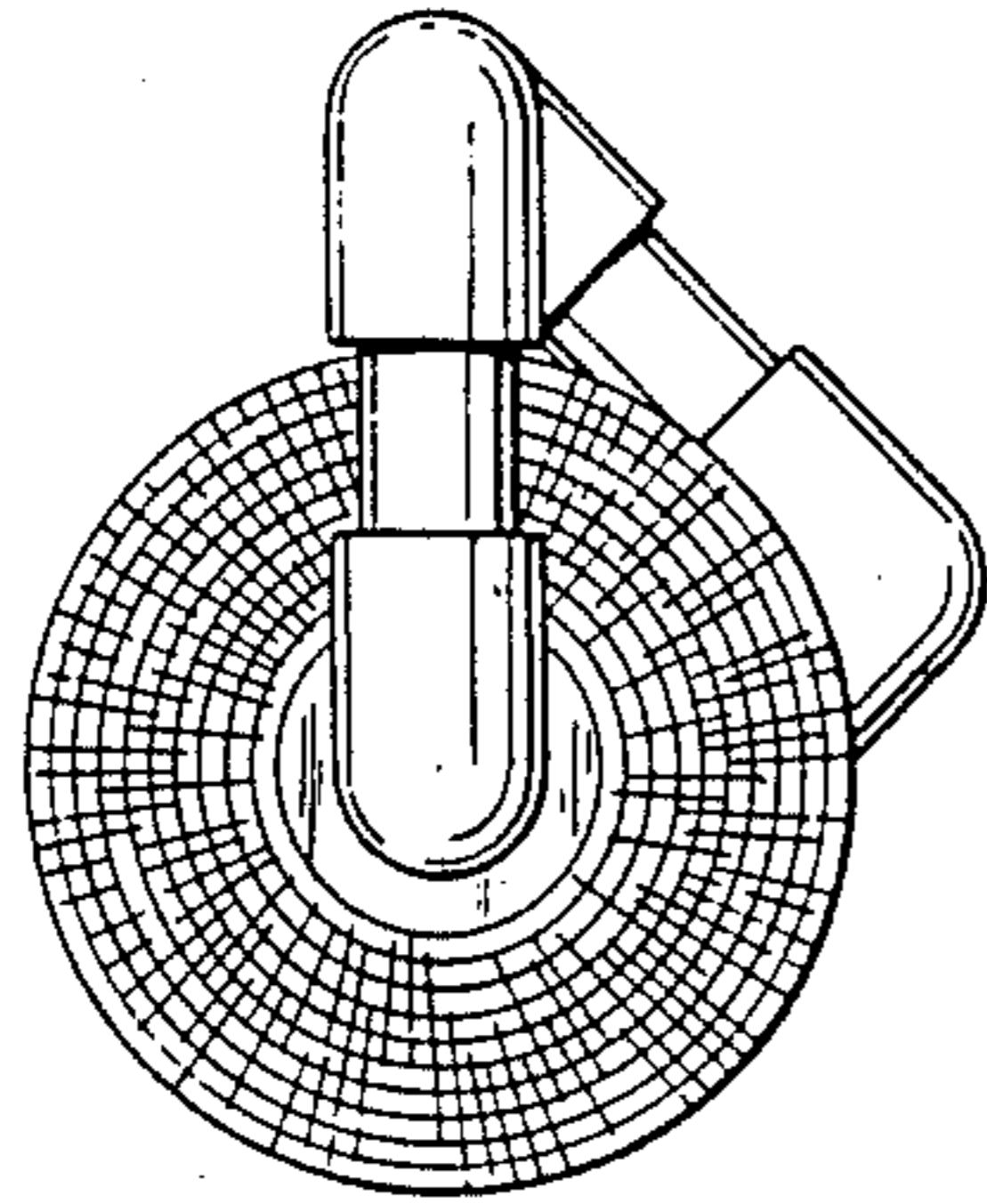
*Fig. 3*

*Fig. 4*



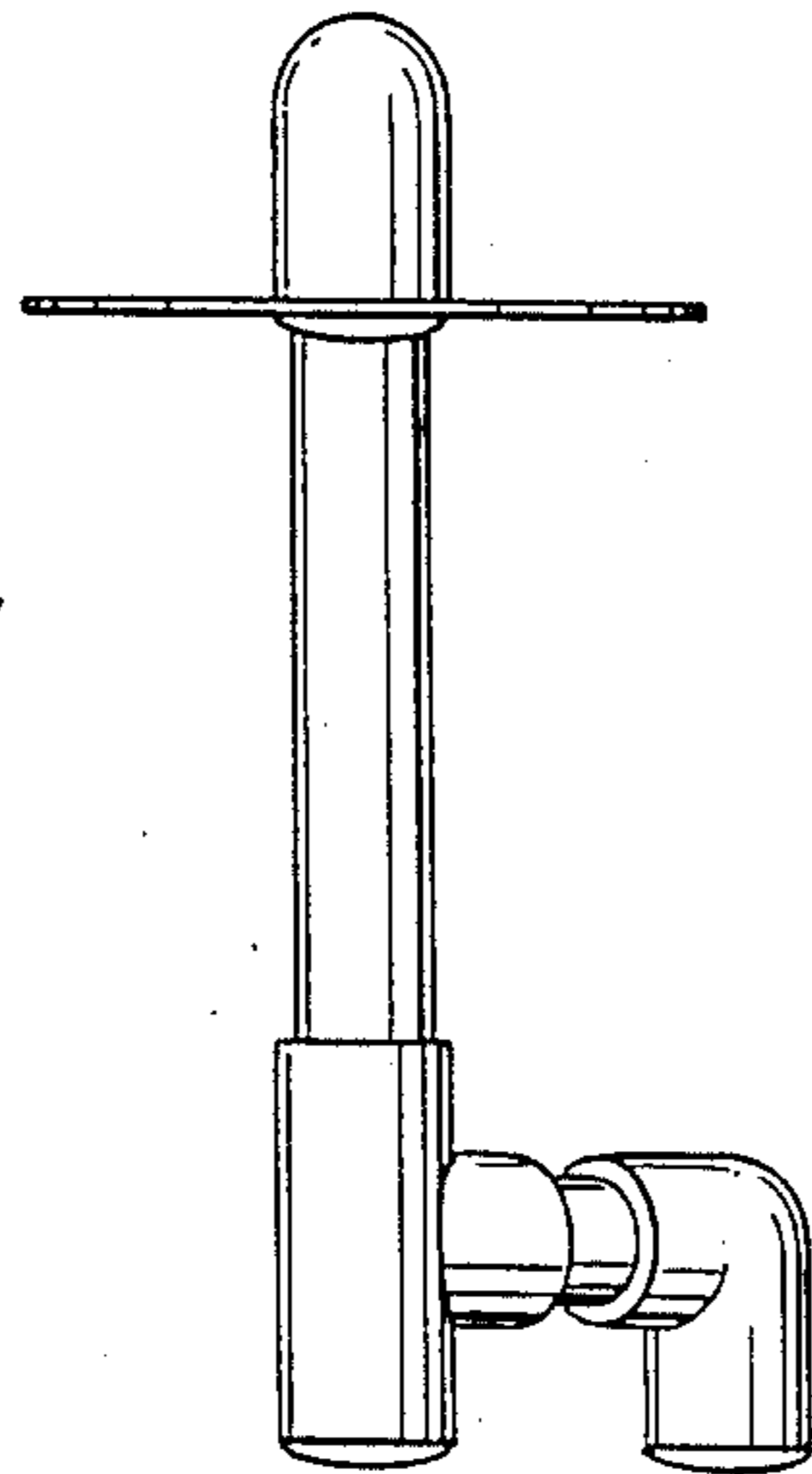
*Fig. 5*

*Fig. 8*

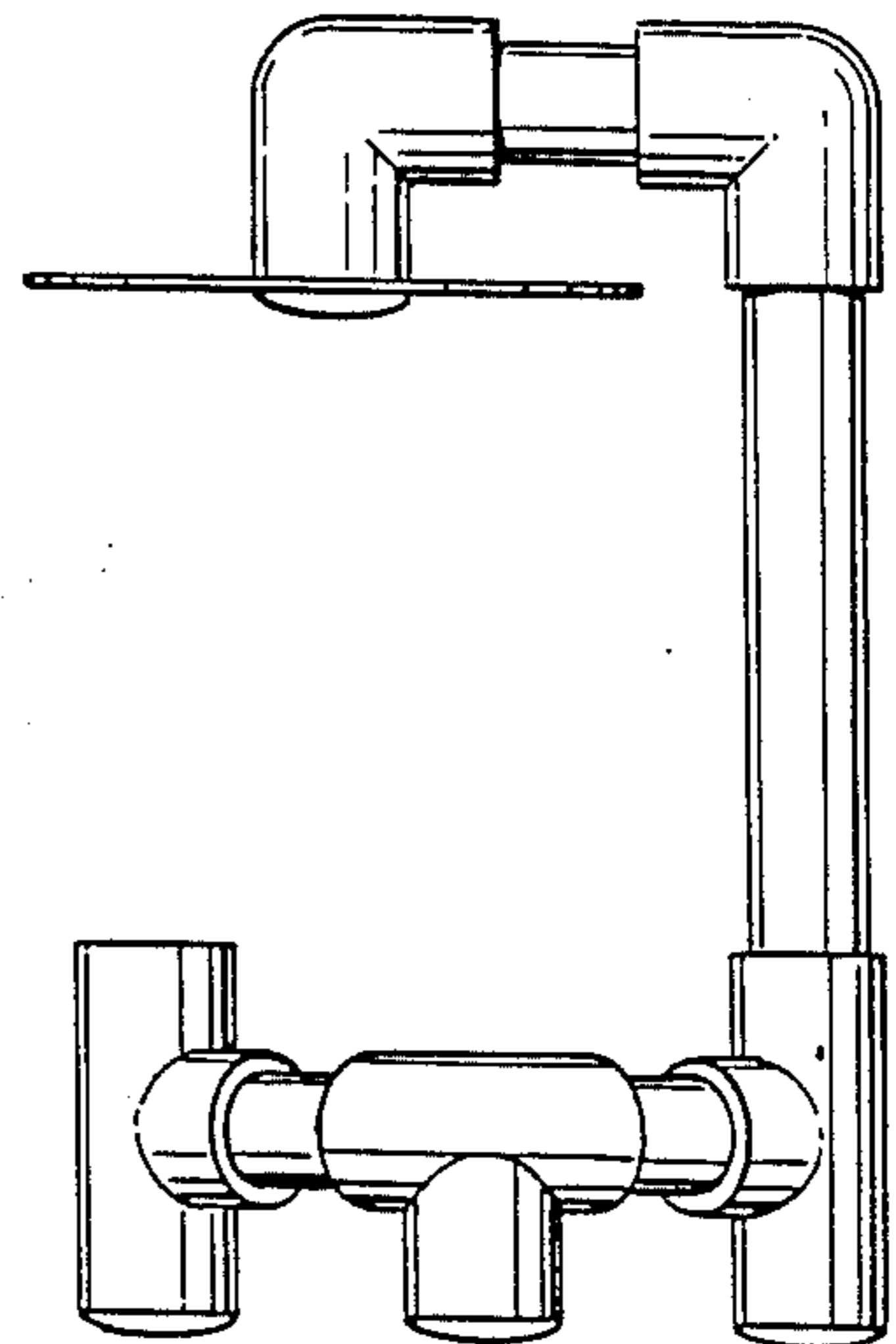


*Fig. 12*

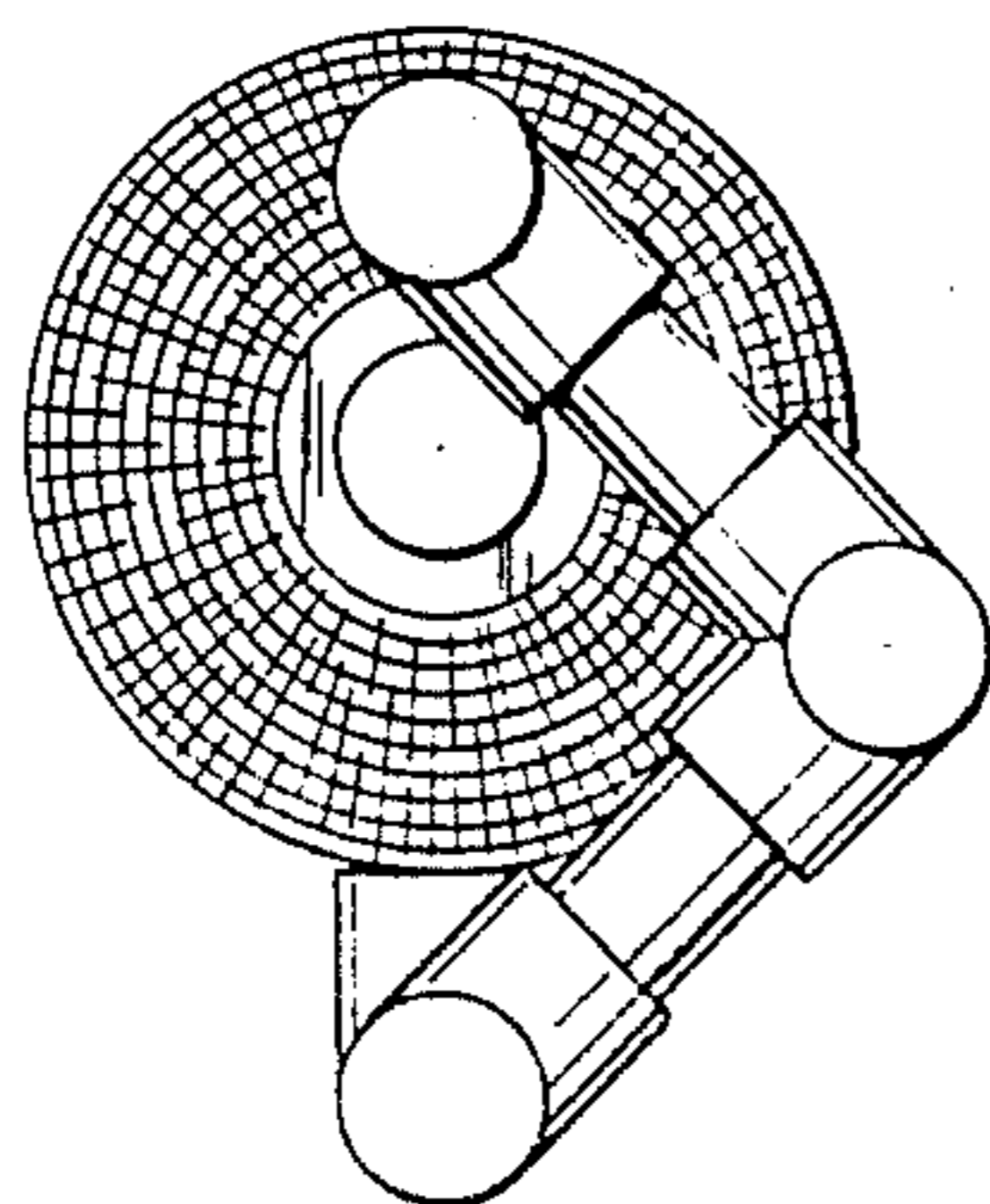
*Fig. 7*



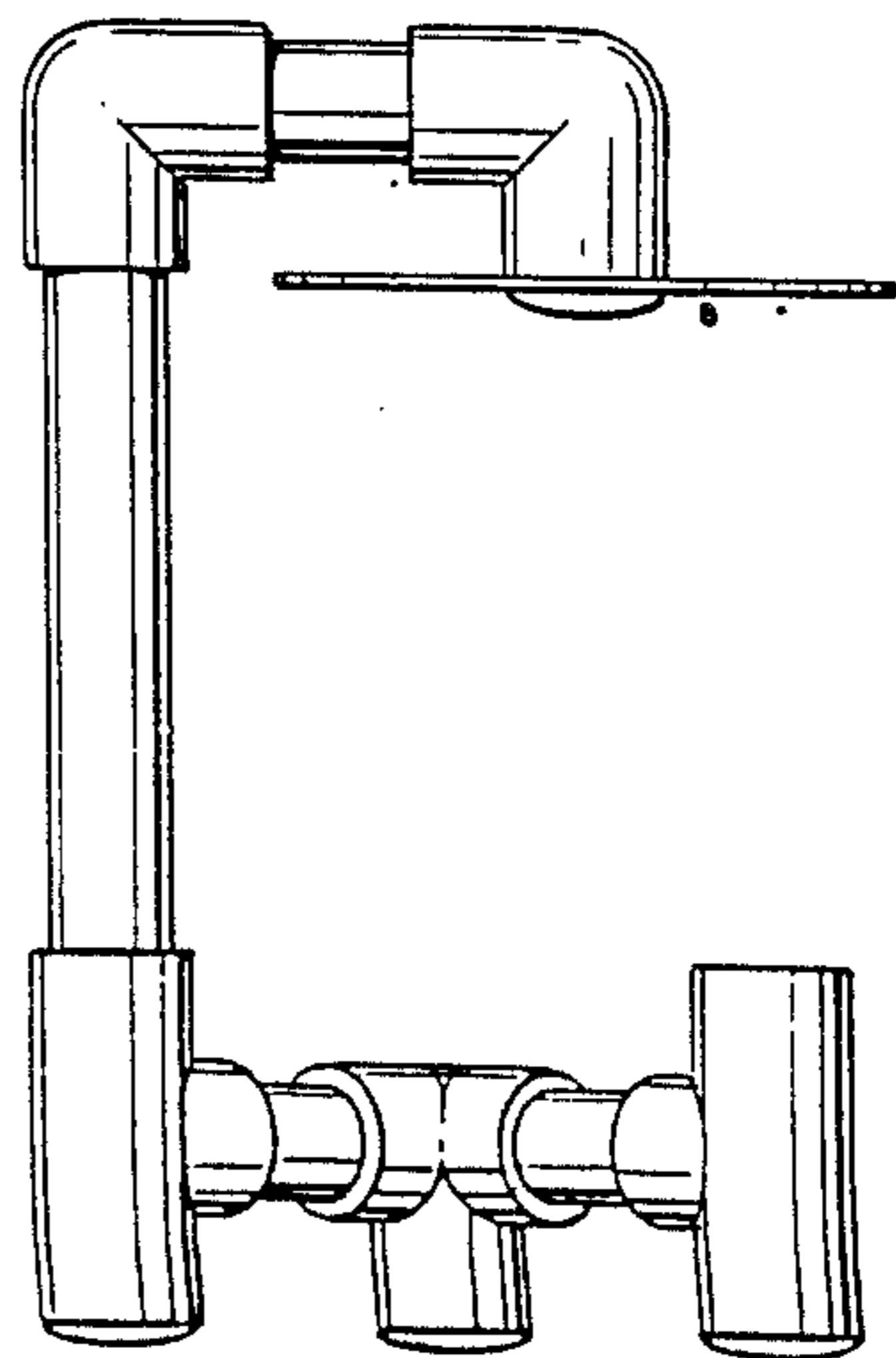
*Fig. 9*



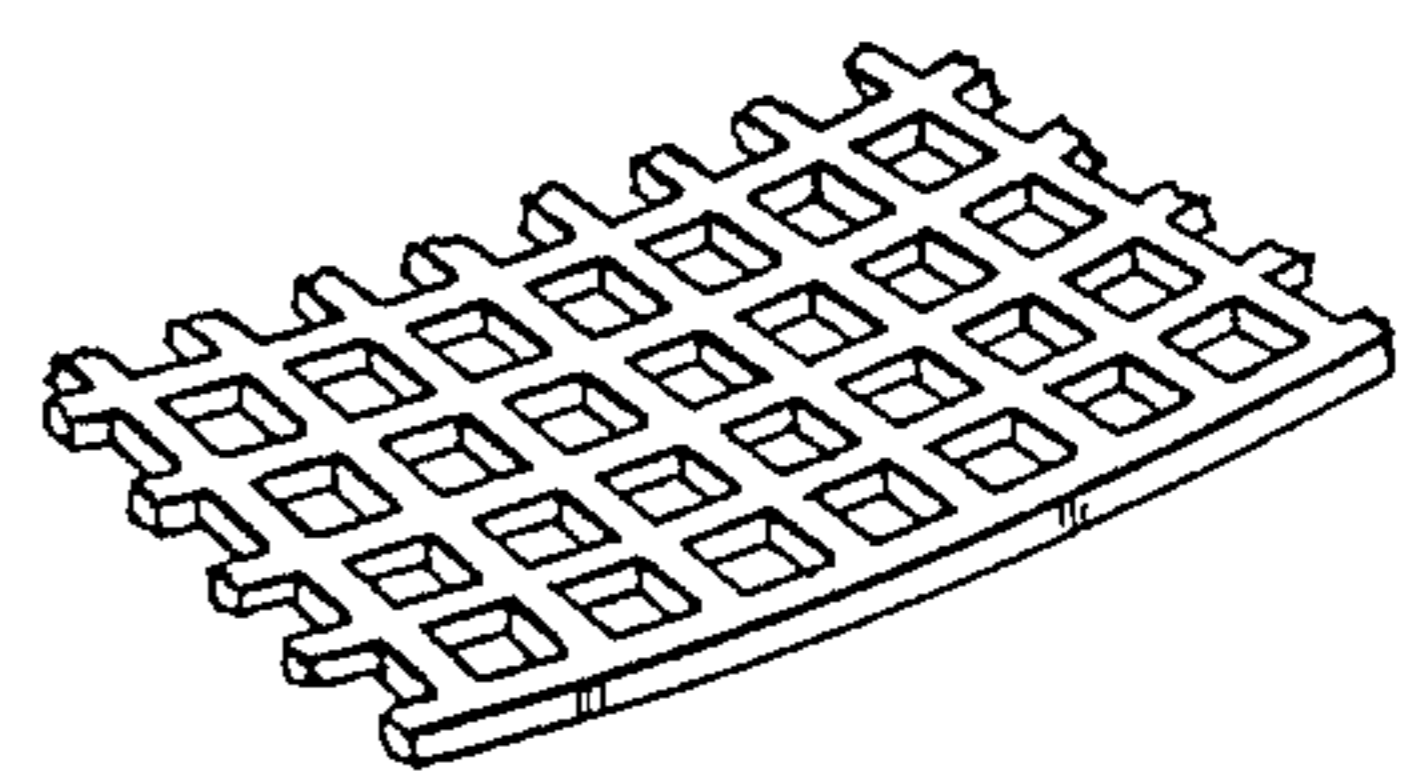
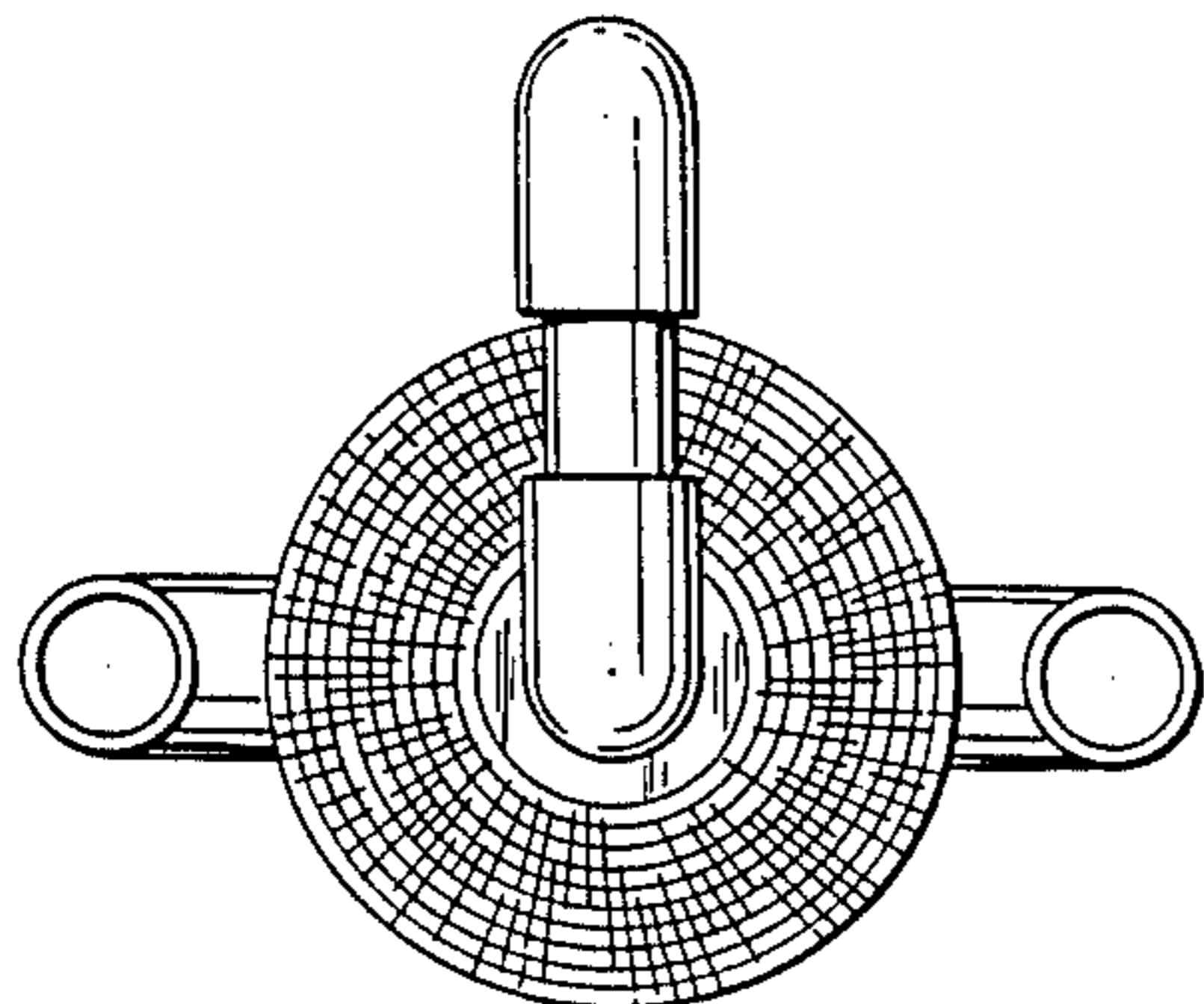
*Fig. 10*



*Fig. 11*

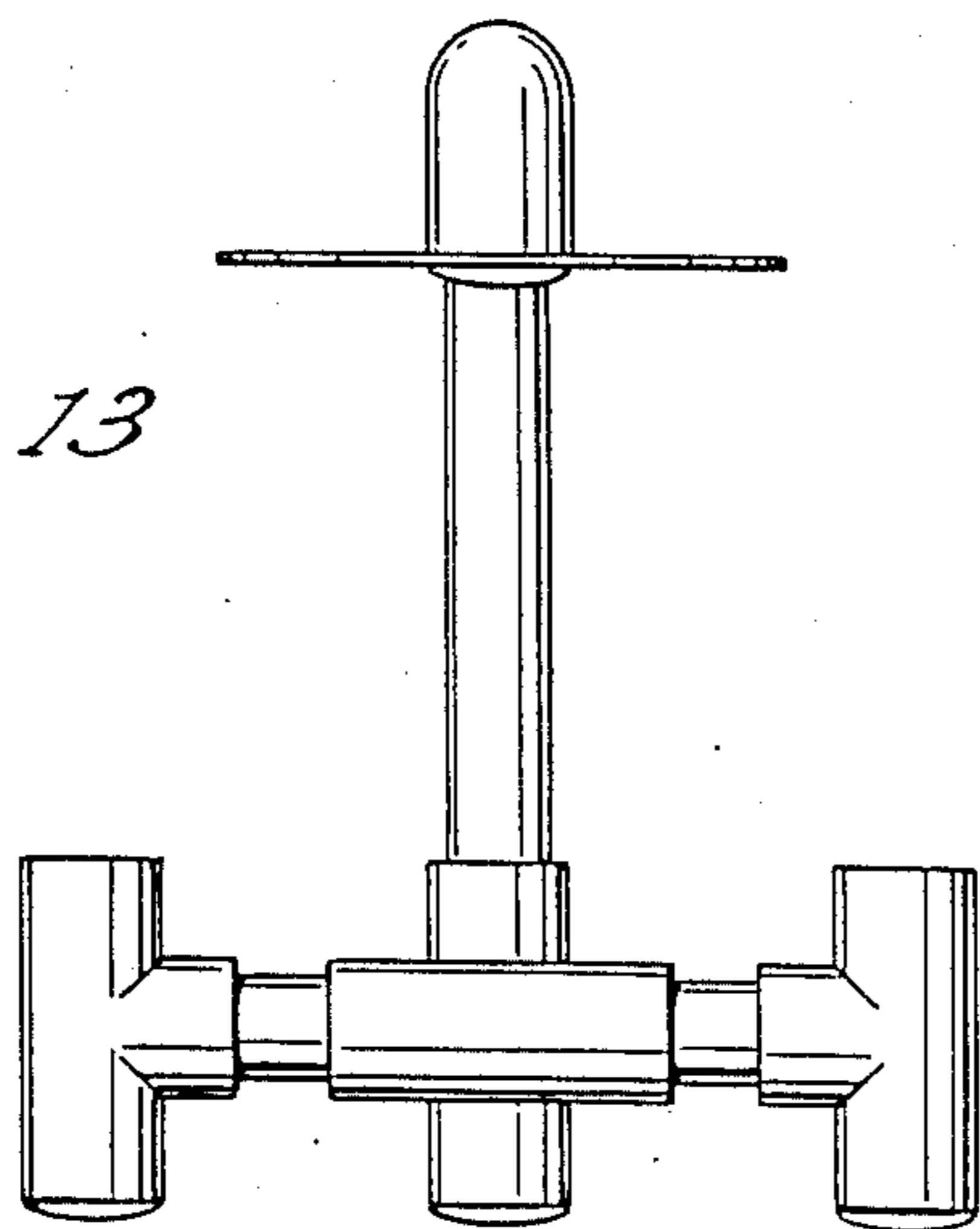


*Fig. 14*

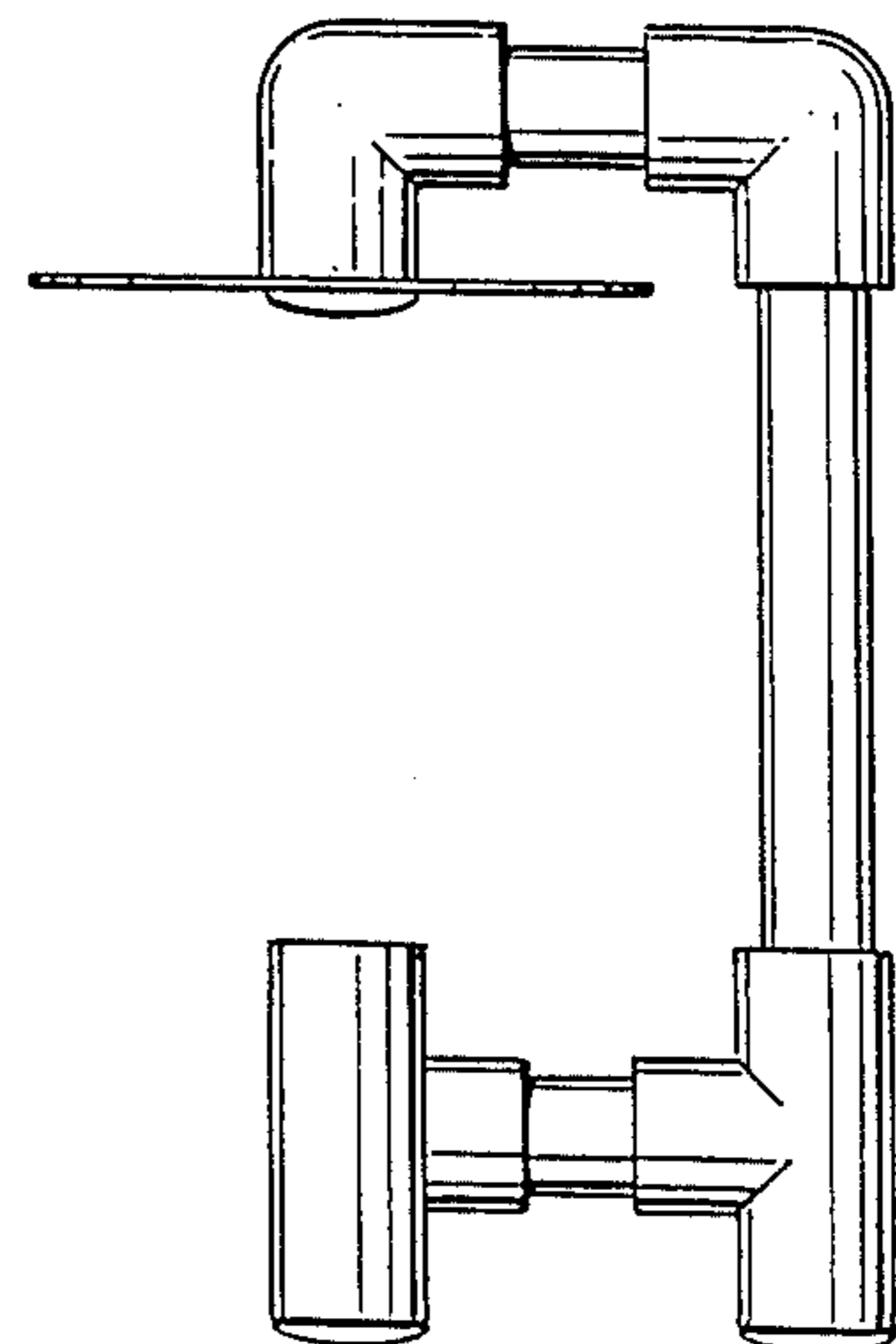


*Fig. 18*

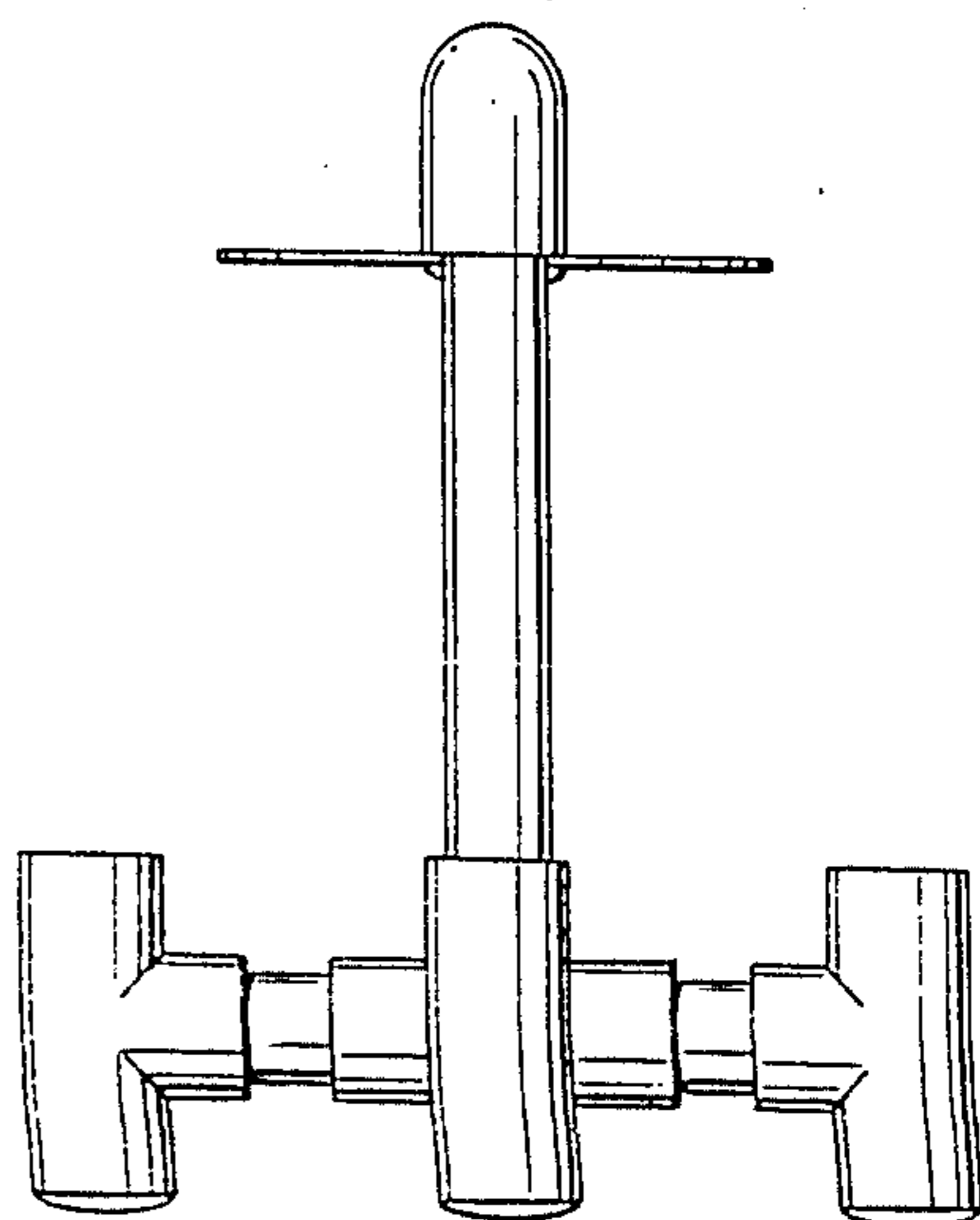
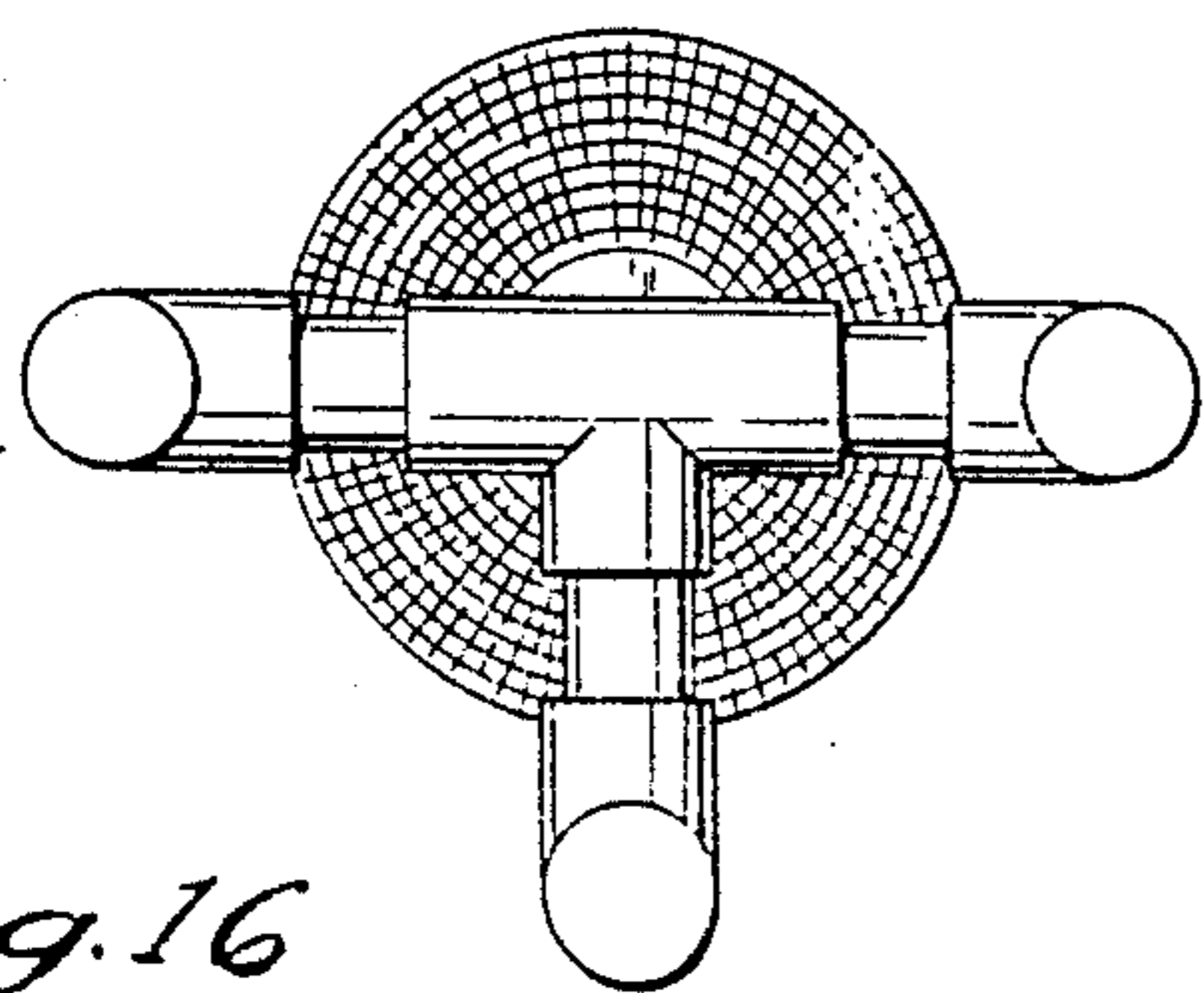
*Fig. 13*



*Fig. 15*

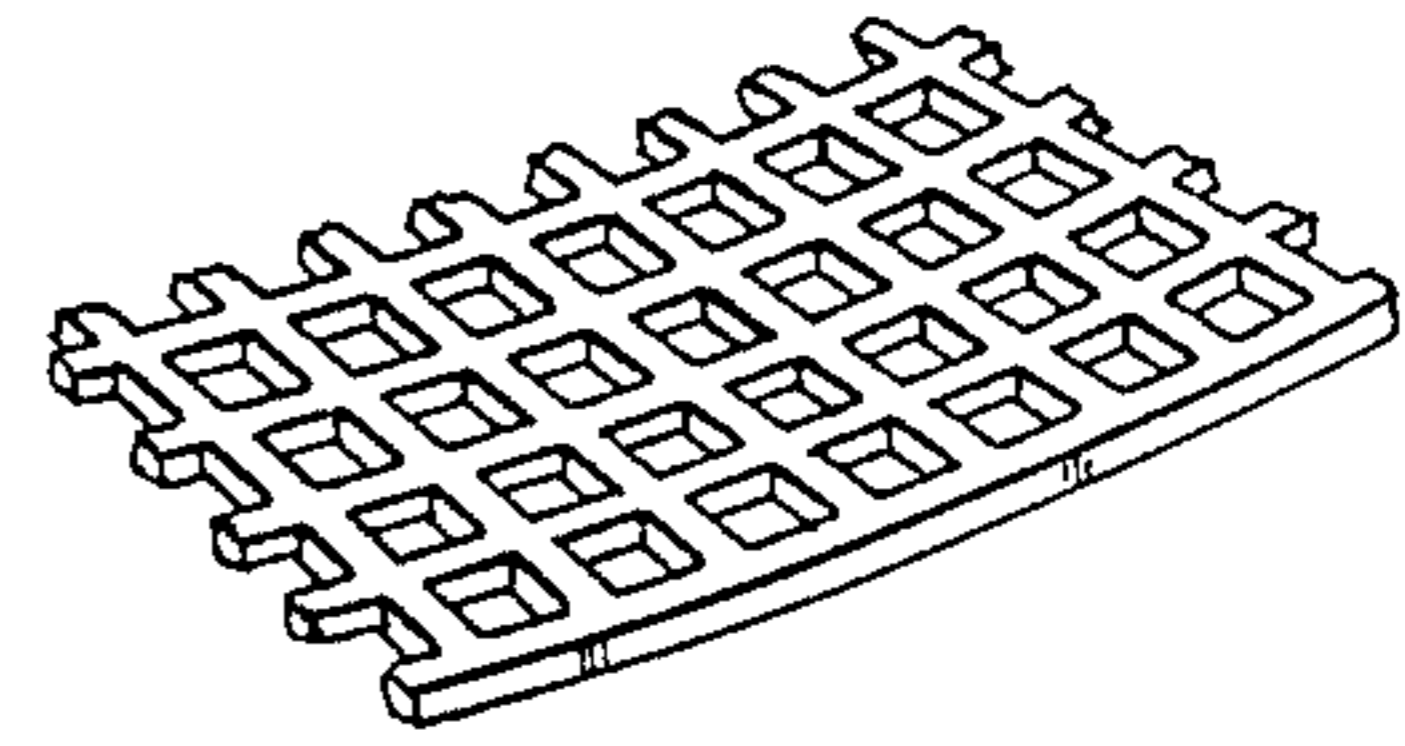
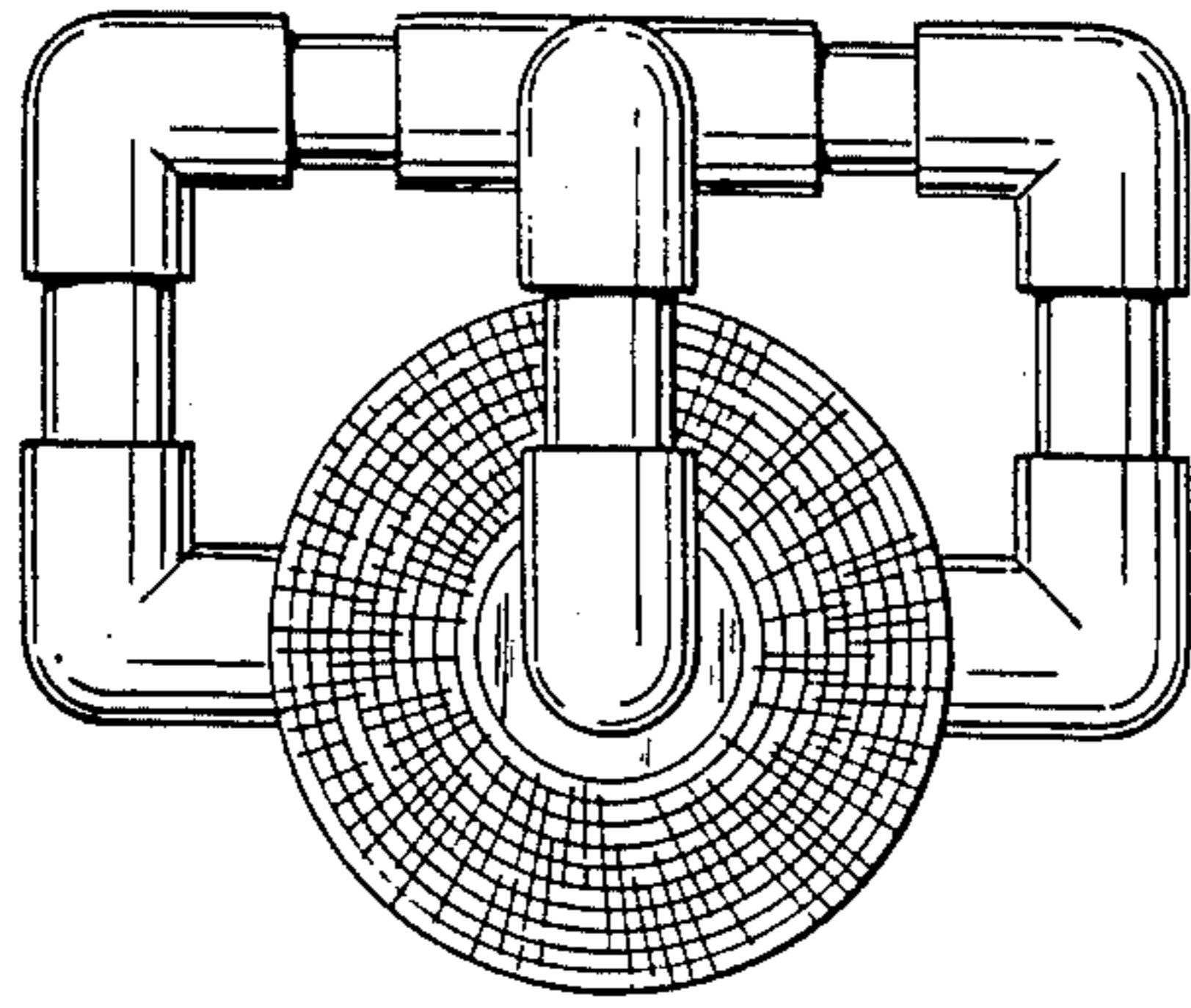


*Fig. 16*



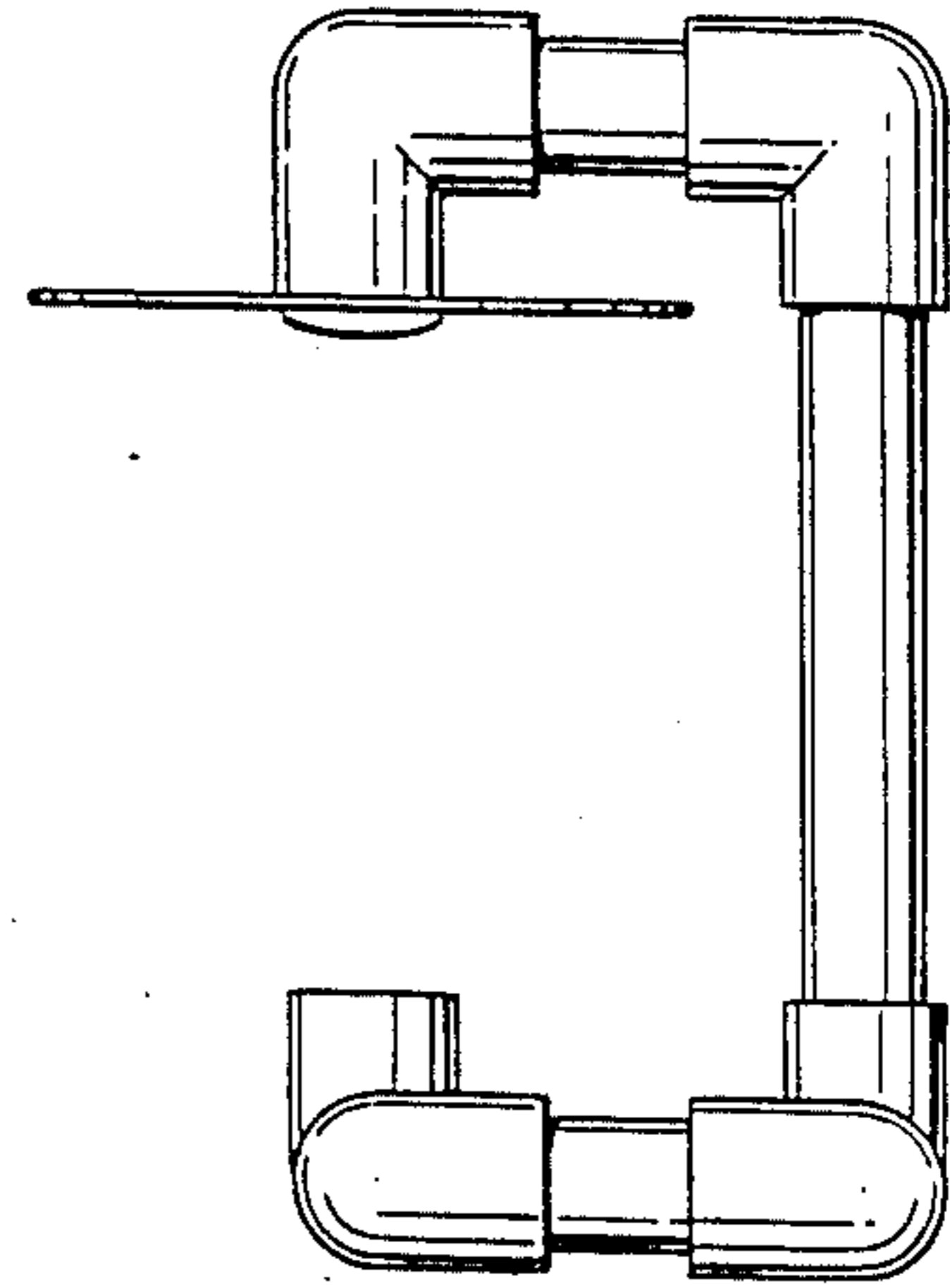
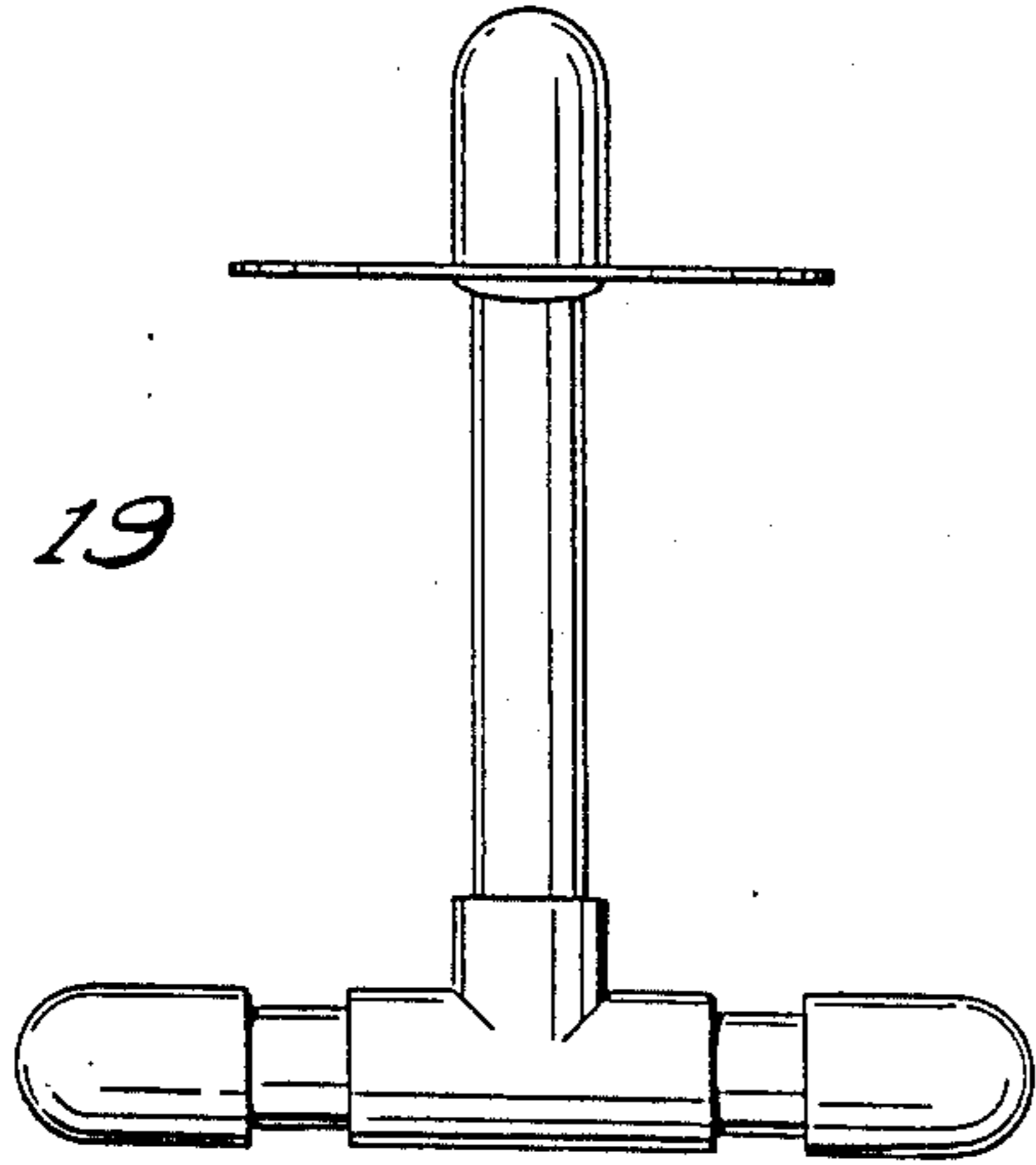
*Fig. 17*

*Fig. 20*

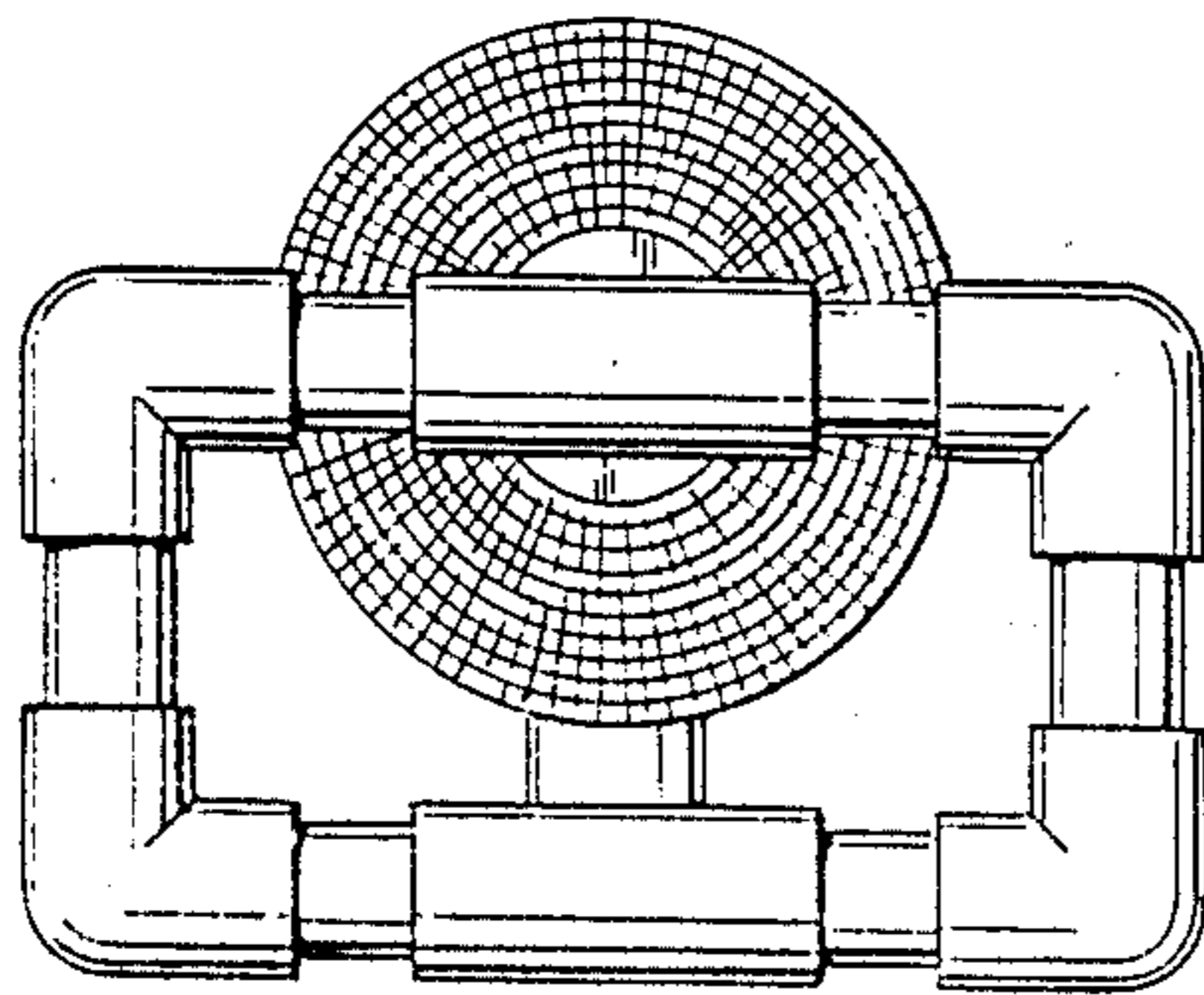


*Fig. 24*

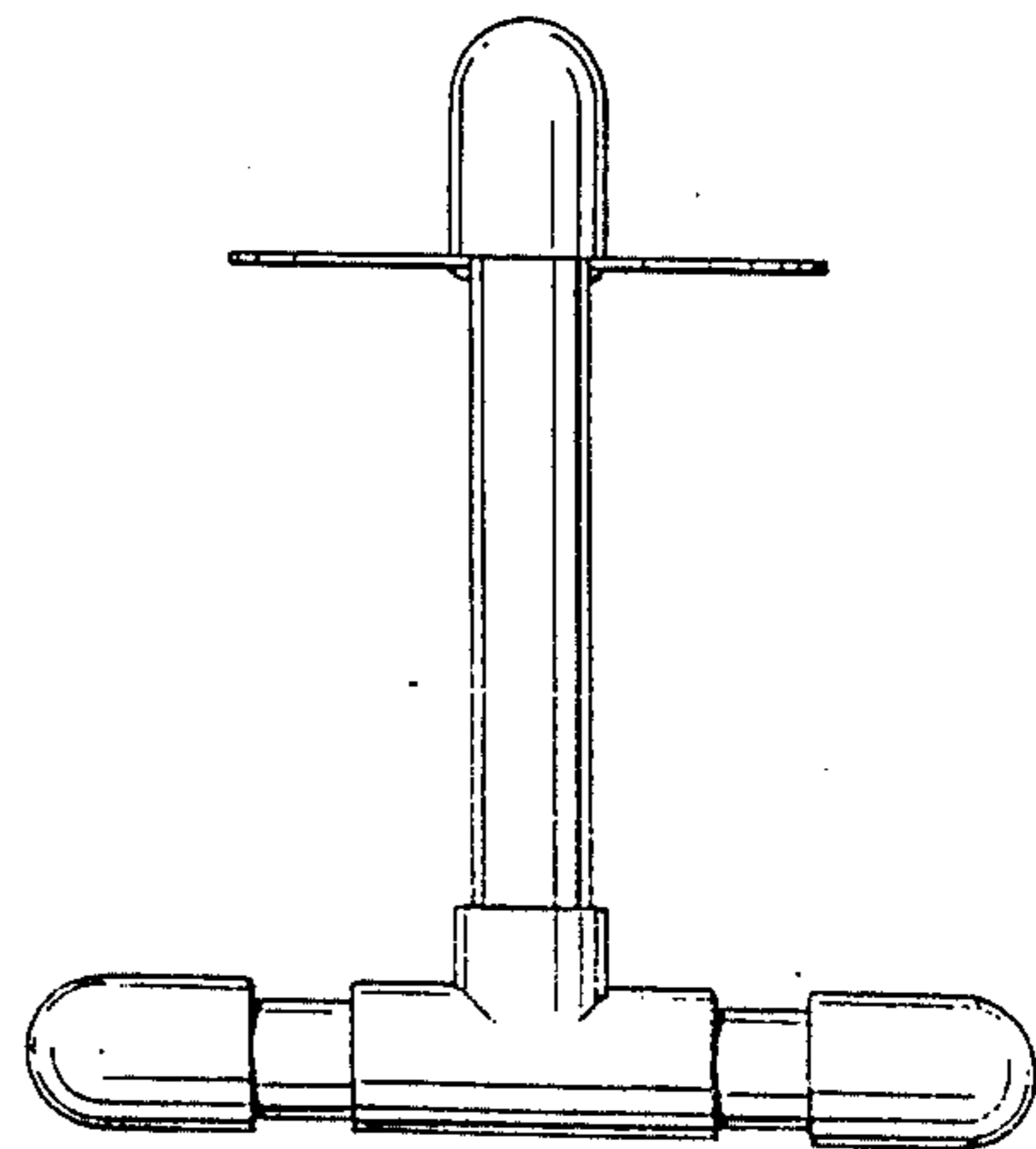
*Fig. 19*



*Fig. 21*



*Fig. 22*



*Fig. 23*