

[54] DISPLAY STAND

[75] Inventor: Gail F. Newfield, Mandeville, La.

[73] Assignee: Sazerac Co., Inc., New Orleans, La.

[**] Term: 14 Years

[21] Appl. No.: 118,515

[22] Filed: Nov. 9, 1987

[52] U.S. Cl. D6/450; D6/461

[58] Field of Search D6/449, 450, 451, 455, D6/459, 460, 461; 211/13, 78, 129; D7/5

[56] References Cited

U.S. PATENT DOCUMENTS

- D. 186,060 9/1959 Udesky et al. D6/450
- D. 194,727 2/1963 Amigone D6/464 X
- D. 234,475 3/1975 Markus D6/450
- D. 237,432 11/1975 Taub D6/461
- D. 259,684 6/1981 Davis D6/450

- D. 297,191 8/1988 Frieden, Jr. D6/461
- 2,157,400 5/1939 Cooper 211/129 X
- 4,688,684 8/1987 Young et al. 211/74 X

FOREIGN PATENT DOCUMENTS

- 558040 8/1923 France 211/74

Primary Examiner—Carmen H. Vales-Lado

Assistant Examiner—Jeffrey Asch

Attorney, Agent, or Firm—Allegretti & Witcoff

[57] CLAIM

The ornamental design for a display stand, as shown and described.

DESCRIPTION

FIG. 1 is a top, front, and right side perspective view of a display stand showing my new design;
 FIG. 2 is a rear elevational view thereof;
 FIG. 3 is a left side elevational view thereof;
 FIG. 4 is a top plan view thereof; and
 FIG. 5 is a bottom plan view thereof.

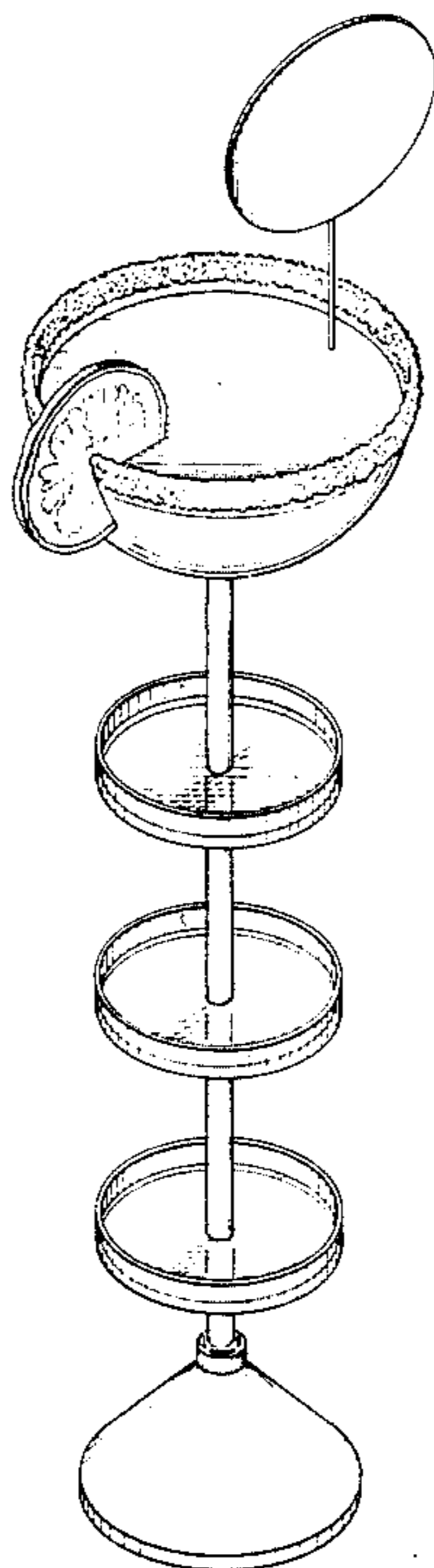


Fig. 1

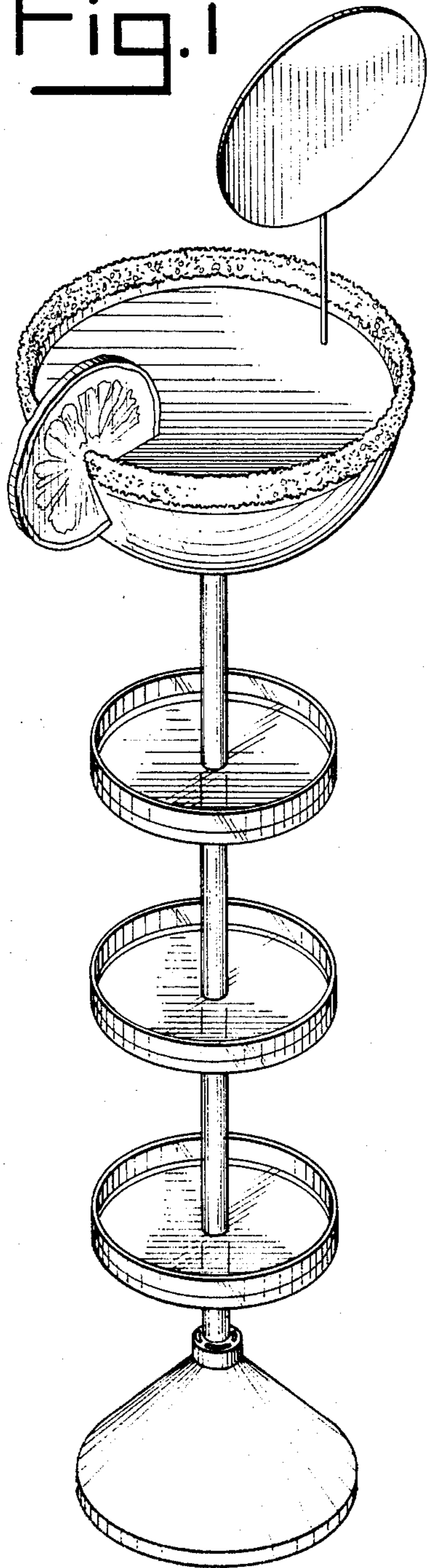


Fig. 2

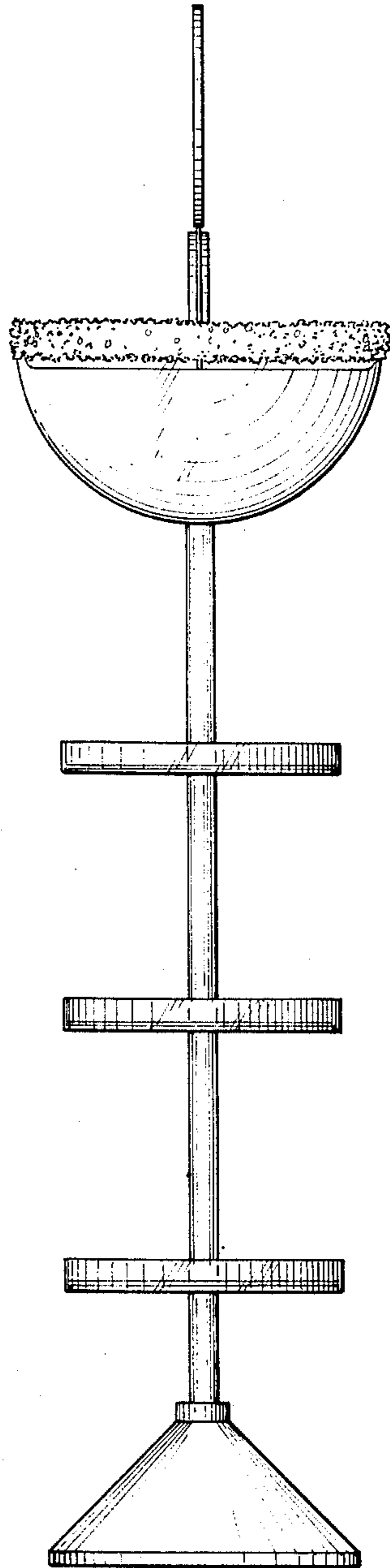


Fig. 3

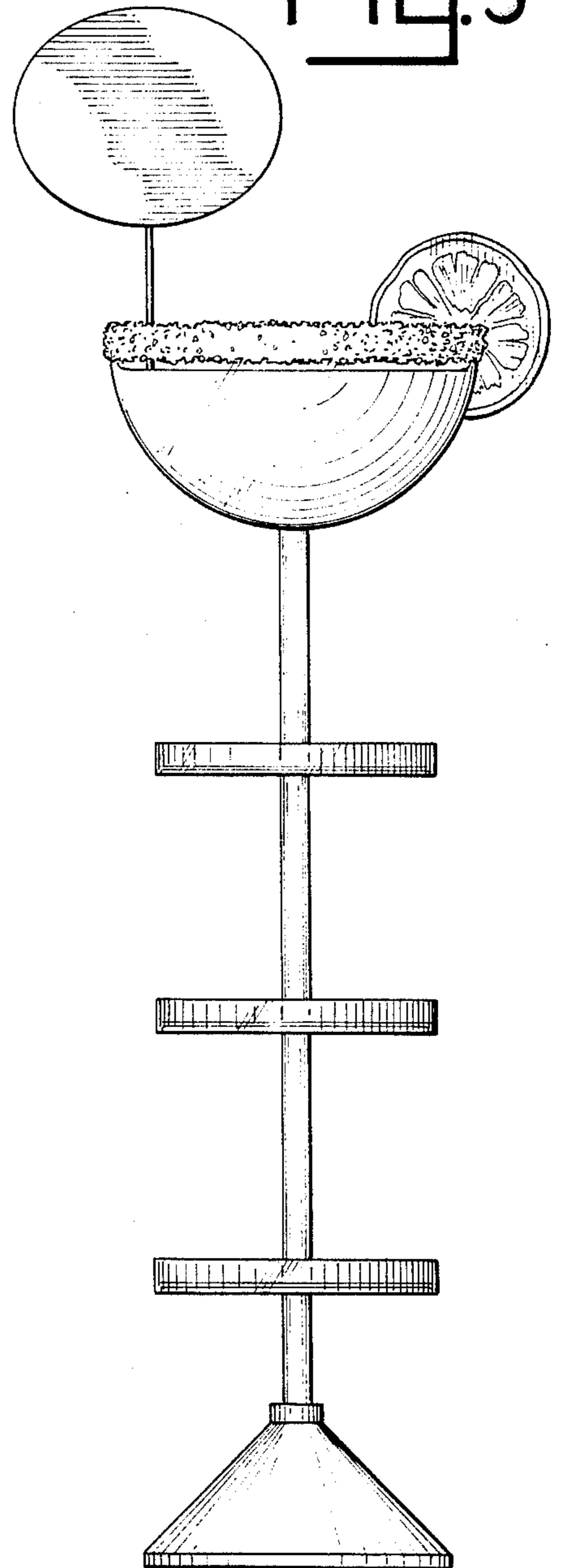


Fig. 4

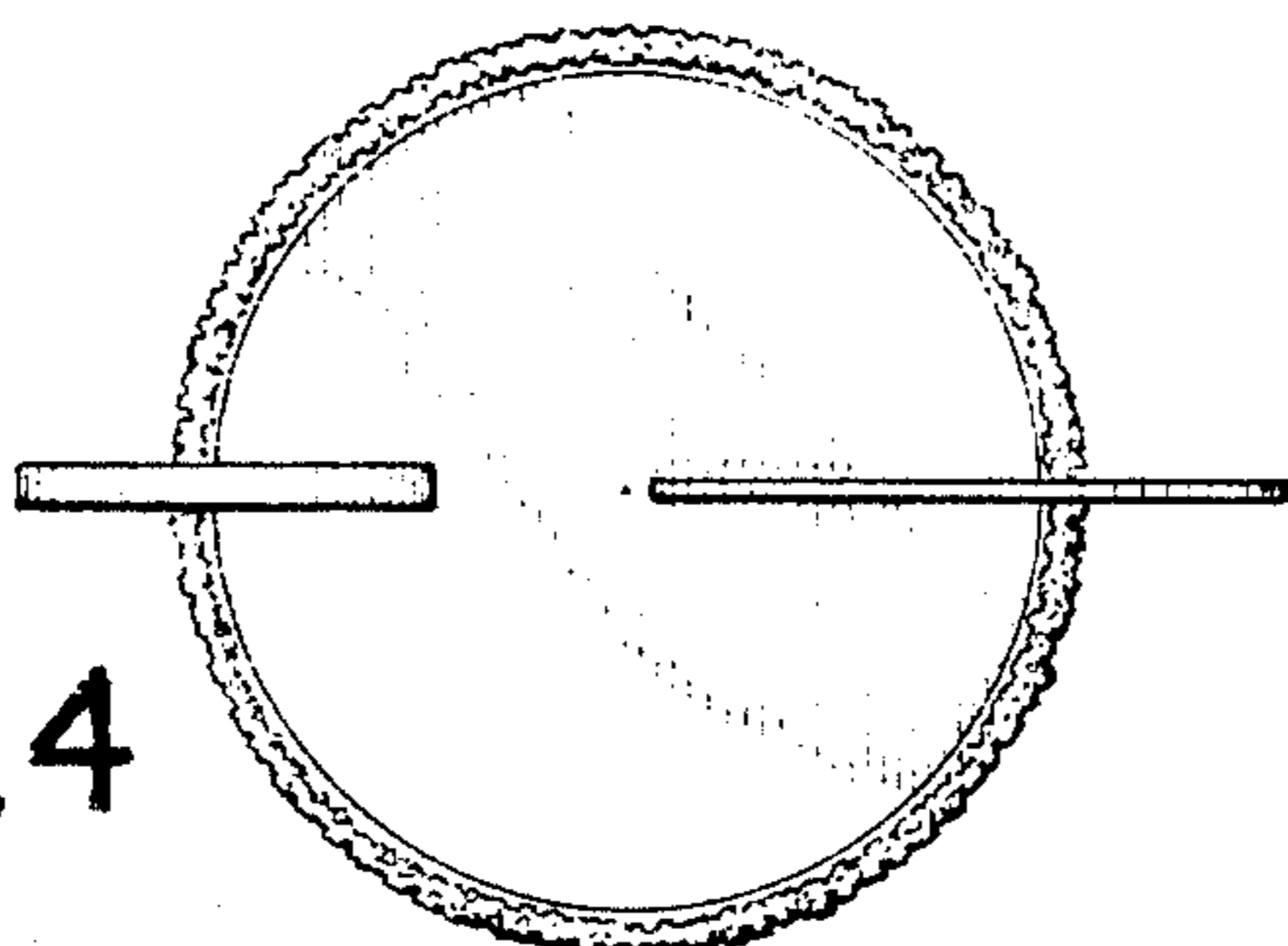


Fig. 5

