

[54] **DISPLAY CABINET**

[76] **Inventor: Martin L. Falk, P.O. Box 210,  
Wildwood, N.J. 08260**

[\*\*] **Term: 14 Years**

[21] **Appl. No.: 76,196**

[22] **Filed: Jul. 22, 1987**

[52] **U.S. Cl. .... D6/440; D6/436**

[58] **Field of Search ..... D6/440, 436, 437, 445,  
D6/446, 476, 471, 438; 312/116**

[56] **References Cited**

**U.S. PATENT DOCUMENTS**

D. 47,806	9/1915	Reaves et al. ....	D6/471
D. 195,577	7/1963	Szewczyk .....	D6/438
D. 205,429	8/1966	Hill, III .....	D6/471 X
2,687,621	8/1954	Fitzgerald .....	312/116 X
2,773,357	12/1956	Canter .....	312/116 X
2,863,708	12/1958	Cahn .....	312/116 X

*Primary Examiner*—Carmen H. Vales-Lado  
*Assistant Examiner*—Jeffrey Asch  
*Attorney, Agent, or Firm*—Norman E. Lehrer

[57] **CLAIM**

The ornamental design for a display cabinet, as shown and described.

**DESCRIPTION**

FIG. 1 is a top, front, and left side perspective view of a display cabinet showing my new design, the rear and right side being mirror images thereof;

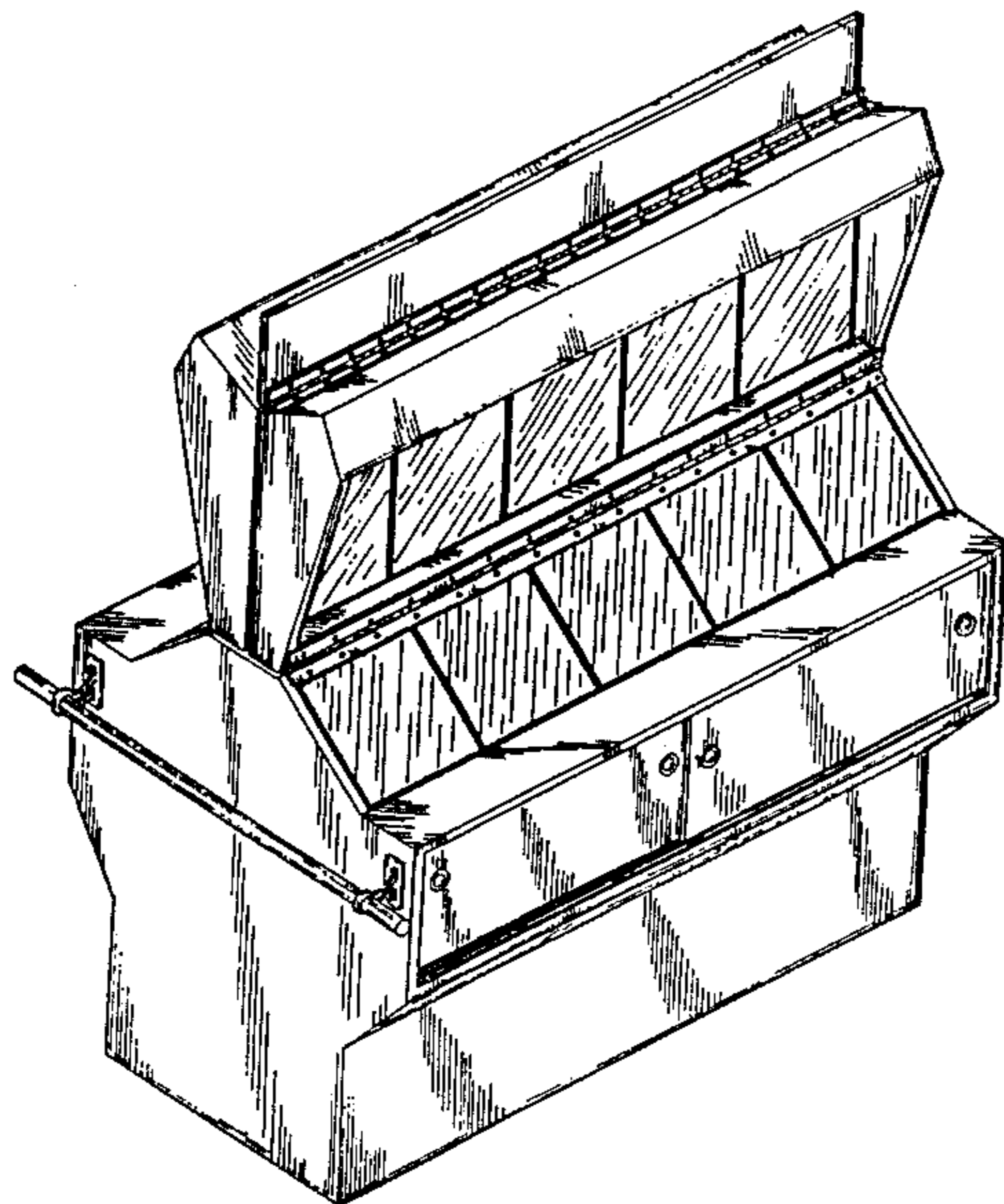
FIG. 2 is a top, front, and left perspective view thereof, in an open condition;

FIG. 3 is a bottom plan view thereof;

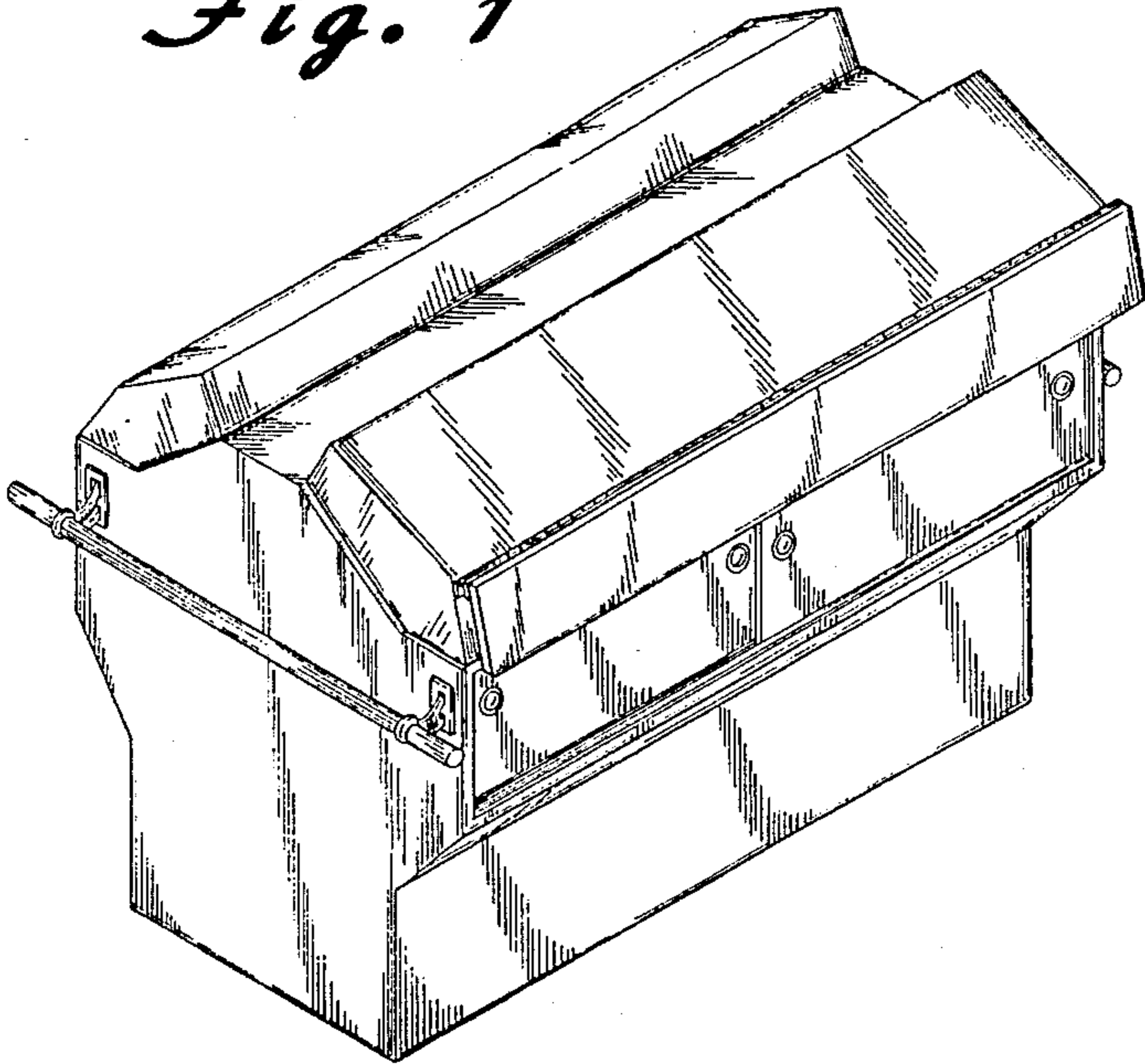
FIG. 4 is a top, rear, and right side perspective view thereof;

FIG. 5 is a top, front, and left side perspective view showing an alternate embodiment of FIG. 1; and

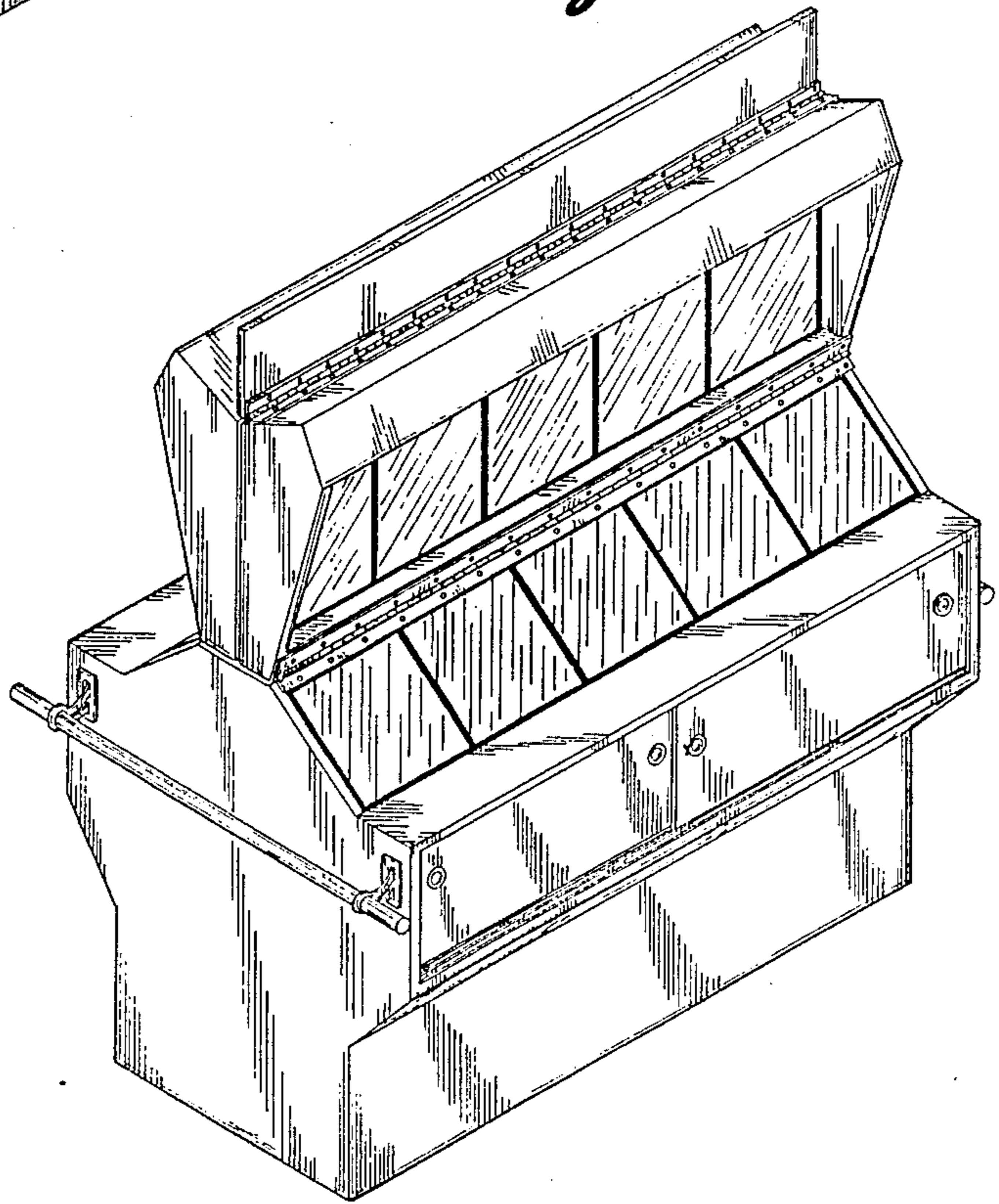
FIG. 6 is a rear and left side perspective view thereof the right side being a mirror image thereof.



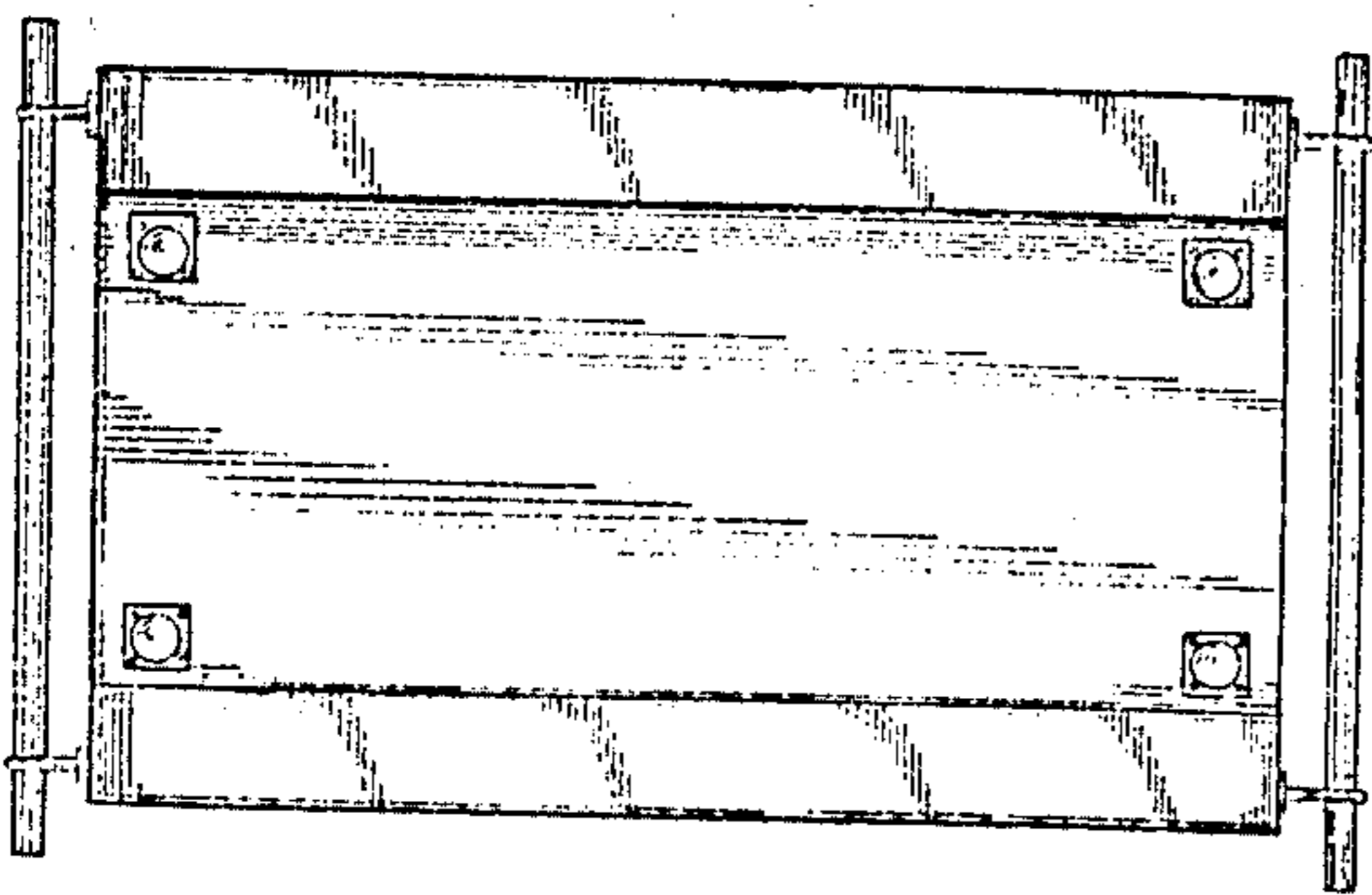
*Fig. 1*



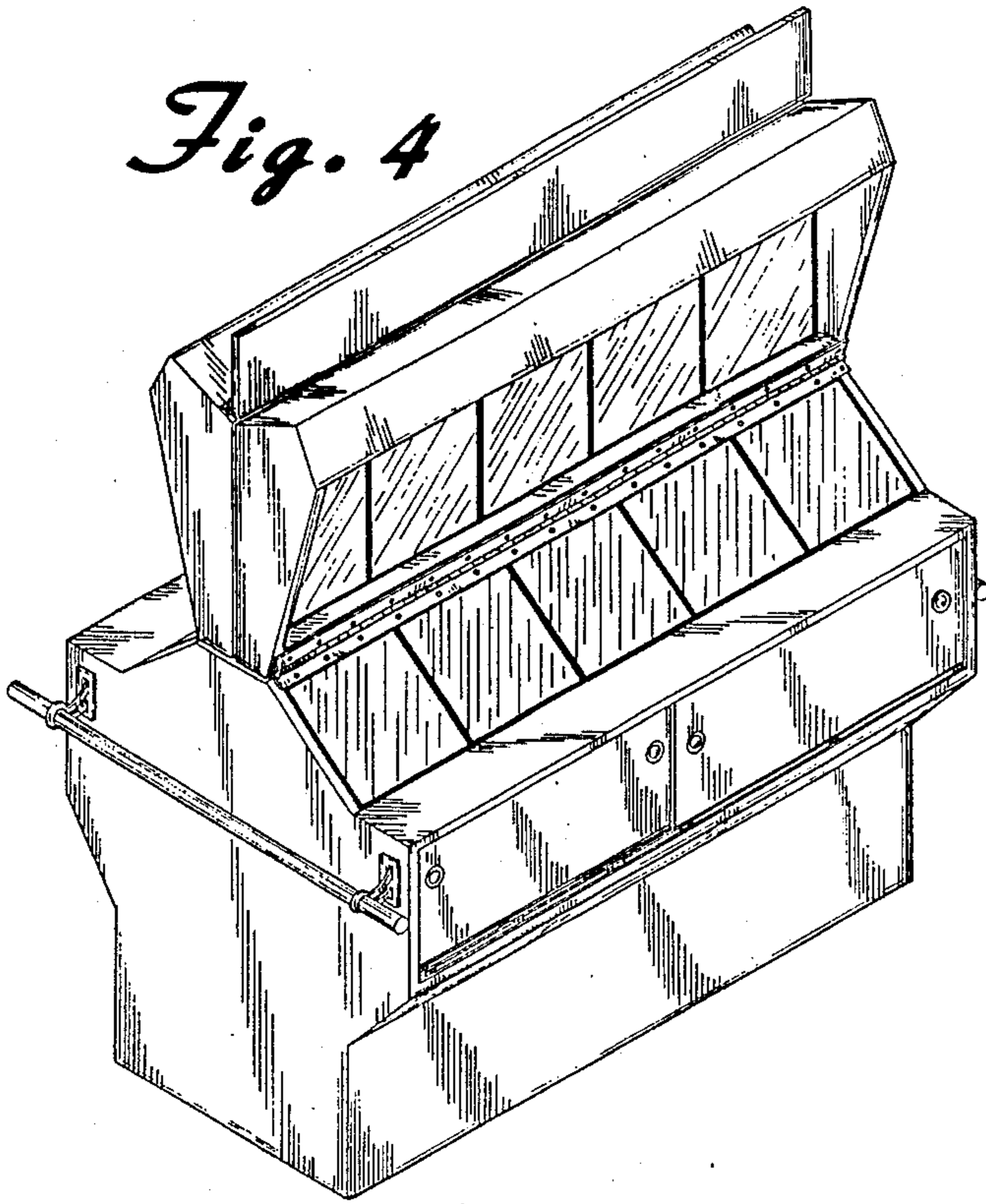
*Fig. 2*



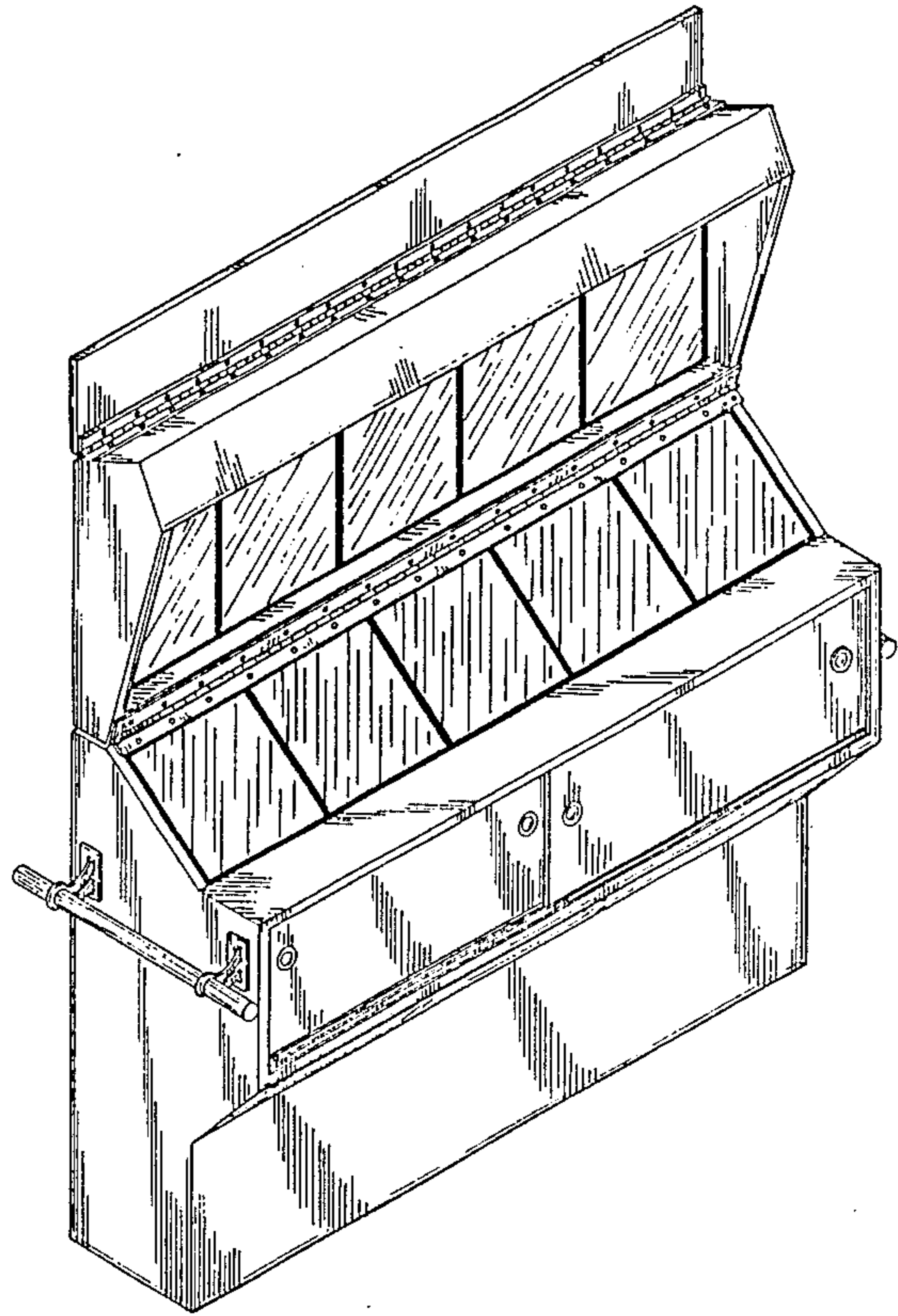
*Fig. 3*



*Fig. 4*



*Fig. 5*



*Fig. 6*

