

[54] STORAGE CHEST OR SIMILAR ARTICLE

[76] Inventor: Phyllis J. Hoff, P.O. Box 1445, Sutter Creek, Calif. 95685

[**] Term: 14 Years

[21] Appl. No.: 23,523

[22] Filed: Mar. 9, 1987

[52] U.S. Cl. D6/440

[58] Field of Search D6/440, 432, 435, 446; 108/161; D21/121; 217/57; 220/71, 72.1

[56] References Cited

U.S. PATENT DOCUMENTS

D. 13,038	11/1909	Klenk et al.	220/71
D. 78,617	5/1929	Duke	D6/435
D. 90,639	9/1933	Williams	D6/446
D. 144,017	3/1946	Abbott	D6/440
D. 170,621	10/1953	Barringer	D6/440

D. 264,641	6/1982	Evans et al.	D6/440 X
D. 282,795	3/1986	Densen	D6/440
1,528,724	3/1925	Zahner	220/71 X

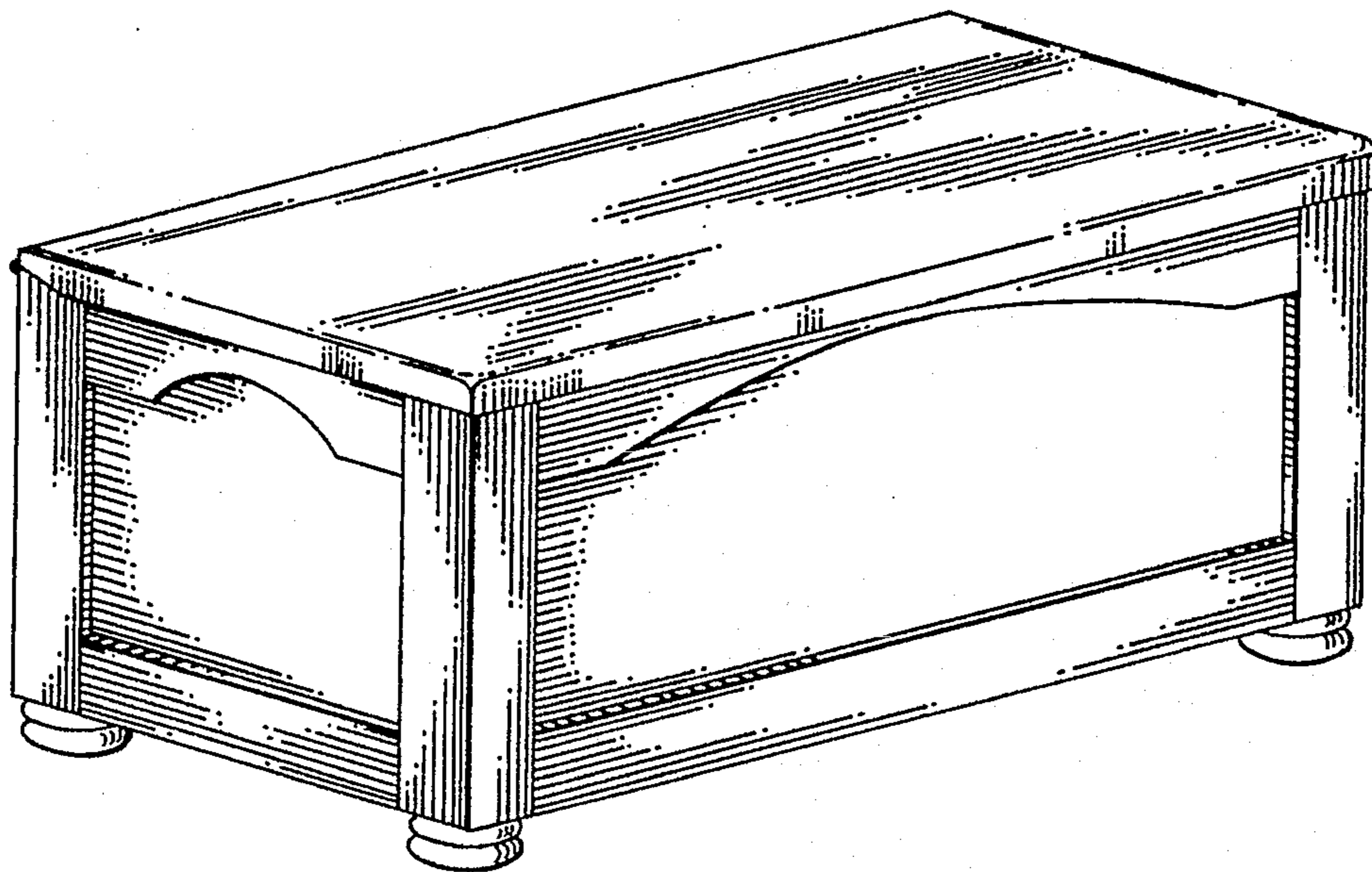
Primary Examiner—Carmen H. Vales-Lado
Assistant Examiner—Schon C. Oppert
Attorney, Agent, or Firm—Wells, St. John & Roberts

[57] CLAIM

The ornamental design for a storage chest or similar article, as shown and described.

DESCRIPTION

FIG. 1 is a top perspective view of the storage chest or similar article showing my new design;
FIG. 2 is a front elevational view thereof;
FIG. 3 is a right side elevational view, the left side view being a mirror image thereof;
FIG. 4 is a rear elevational view thereof;
FIG. 5 is a top plan view thereof; and
FIG. 6 is a bottom plan view thereof.



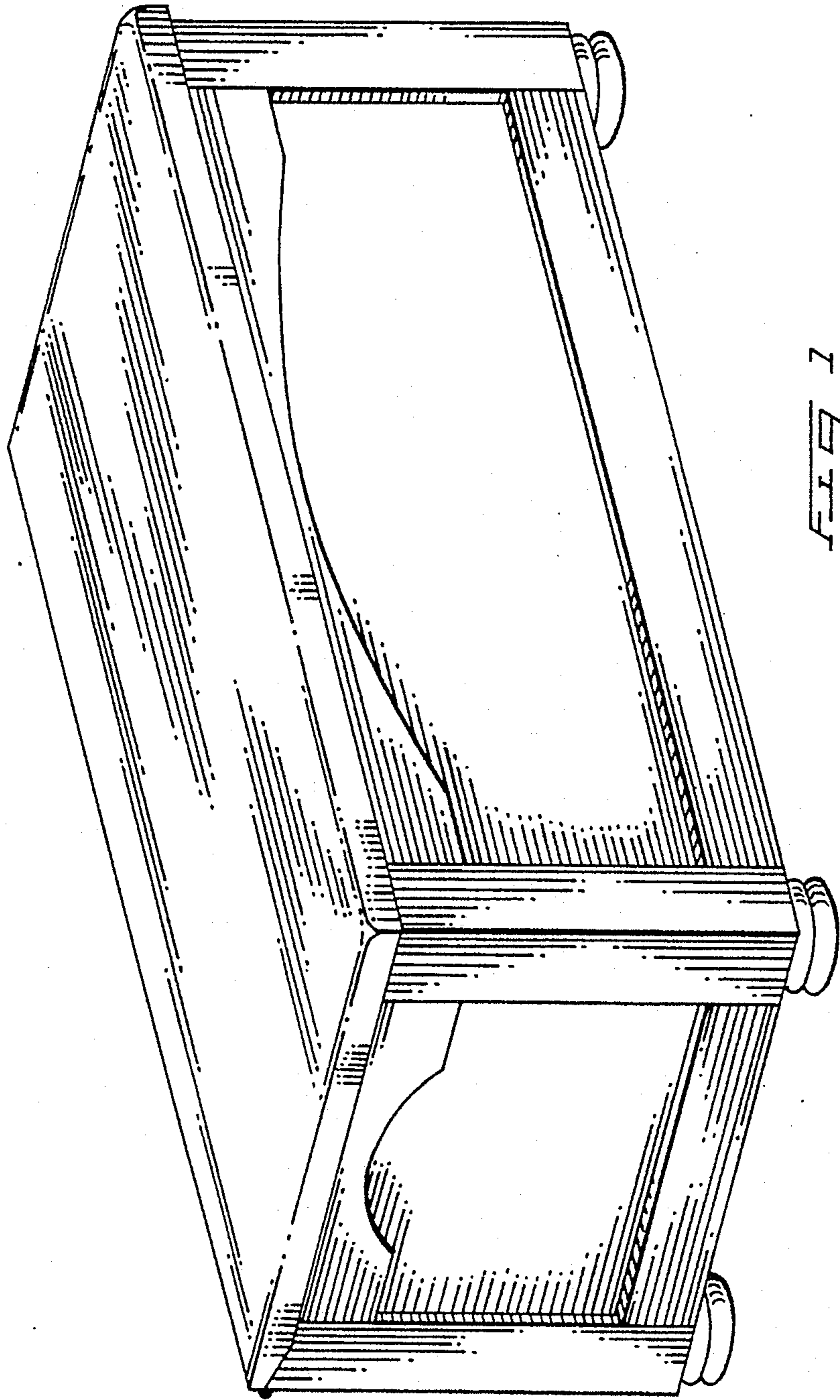


FIG 1

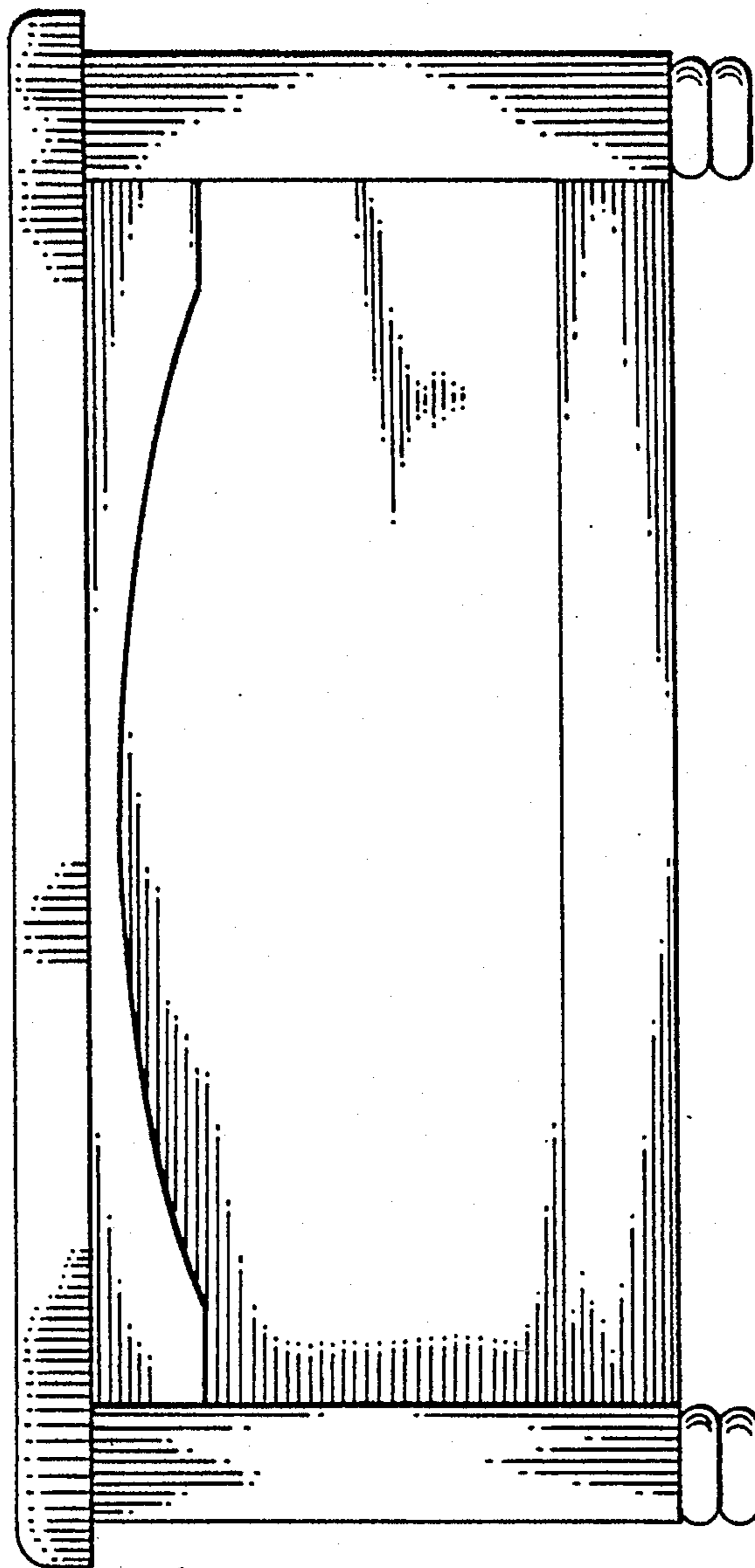


FIG. 2

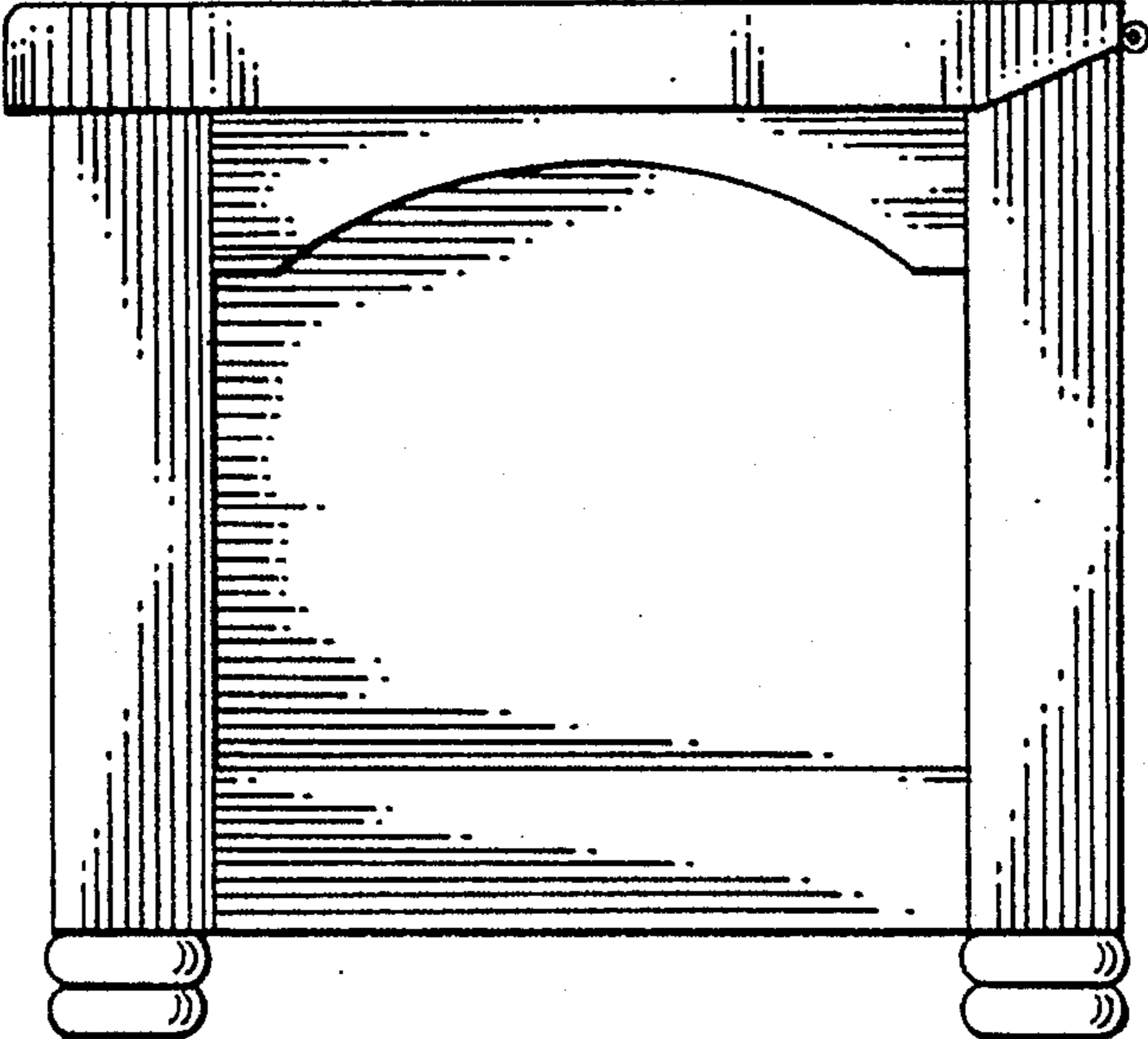


FIG 3

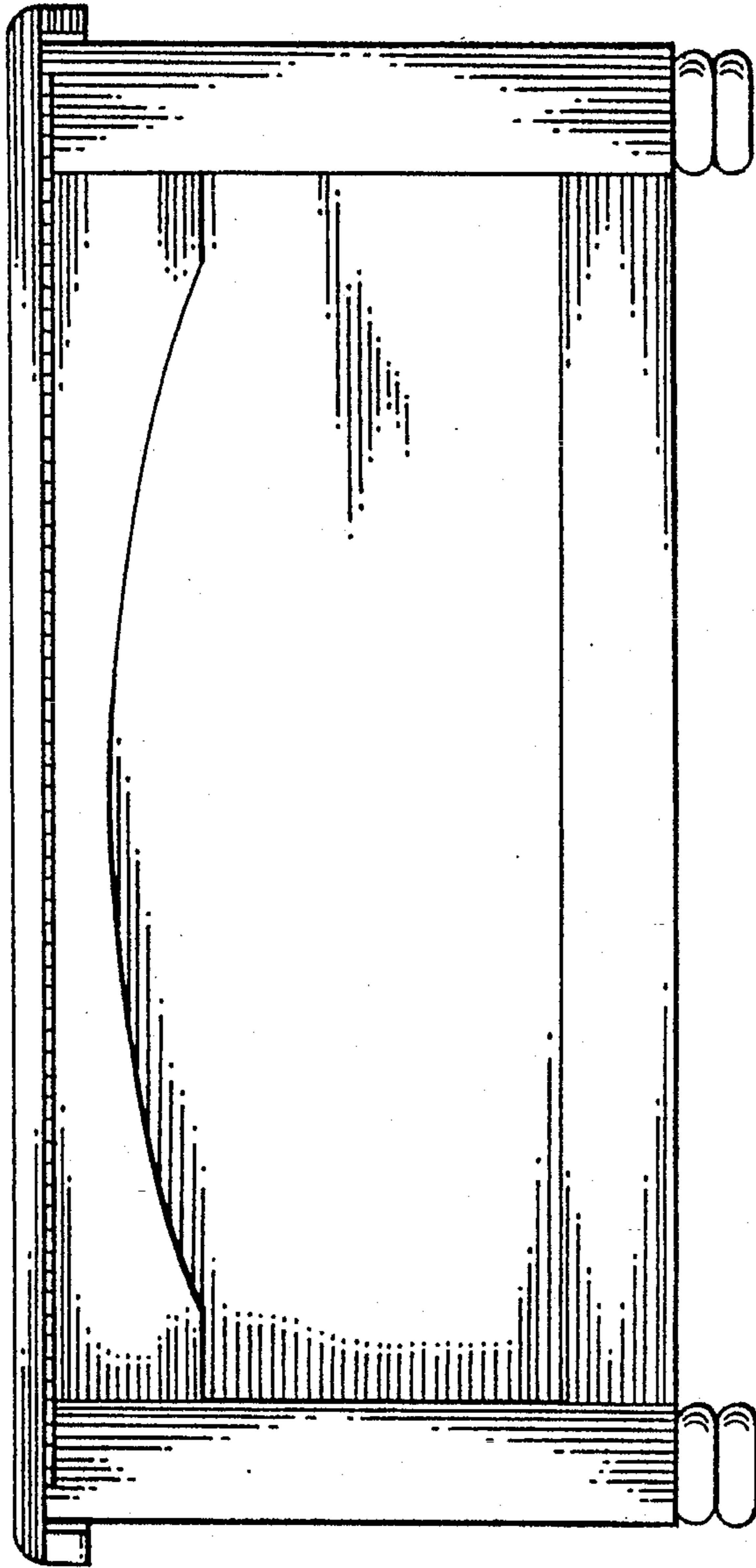
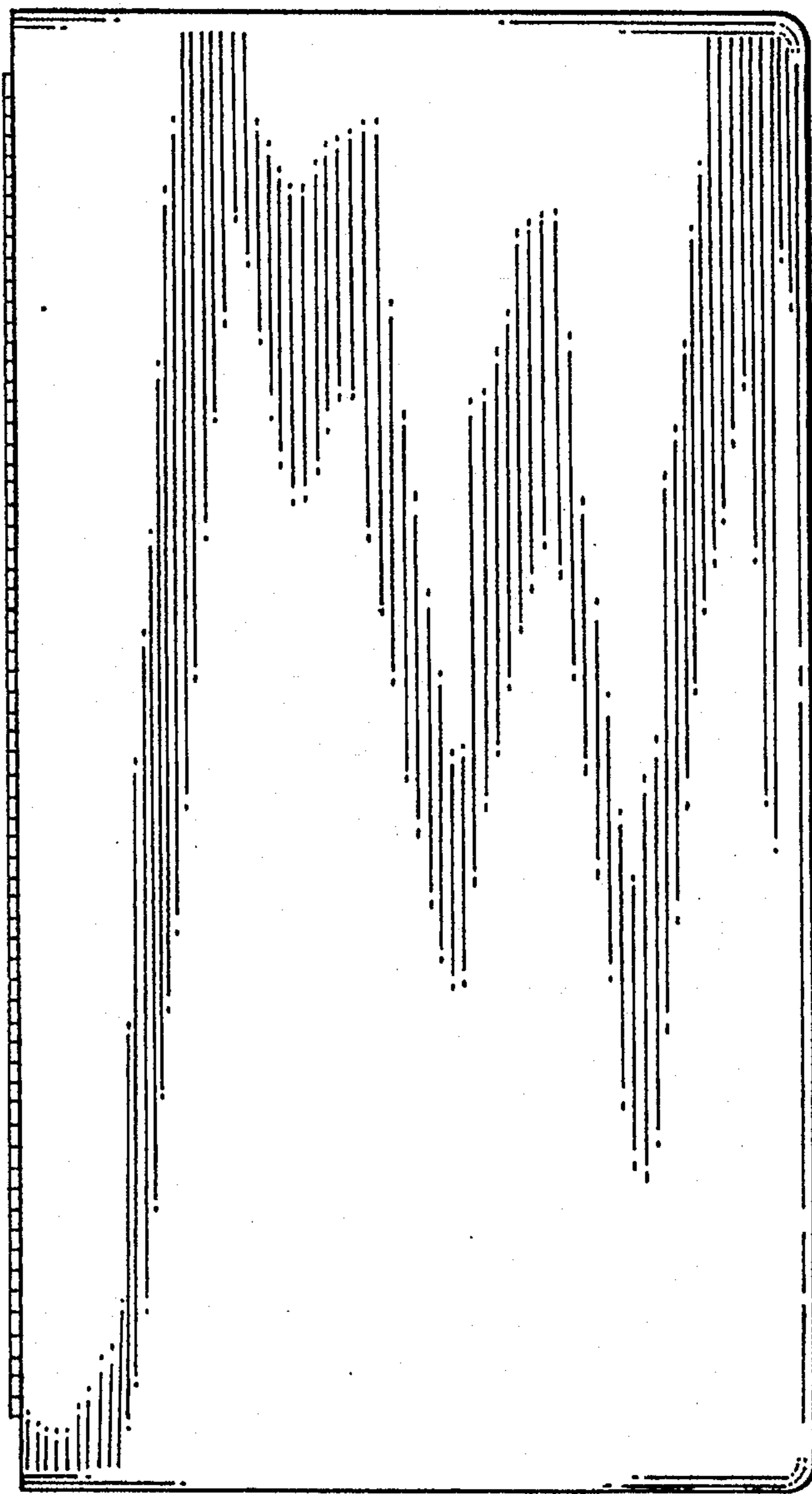
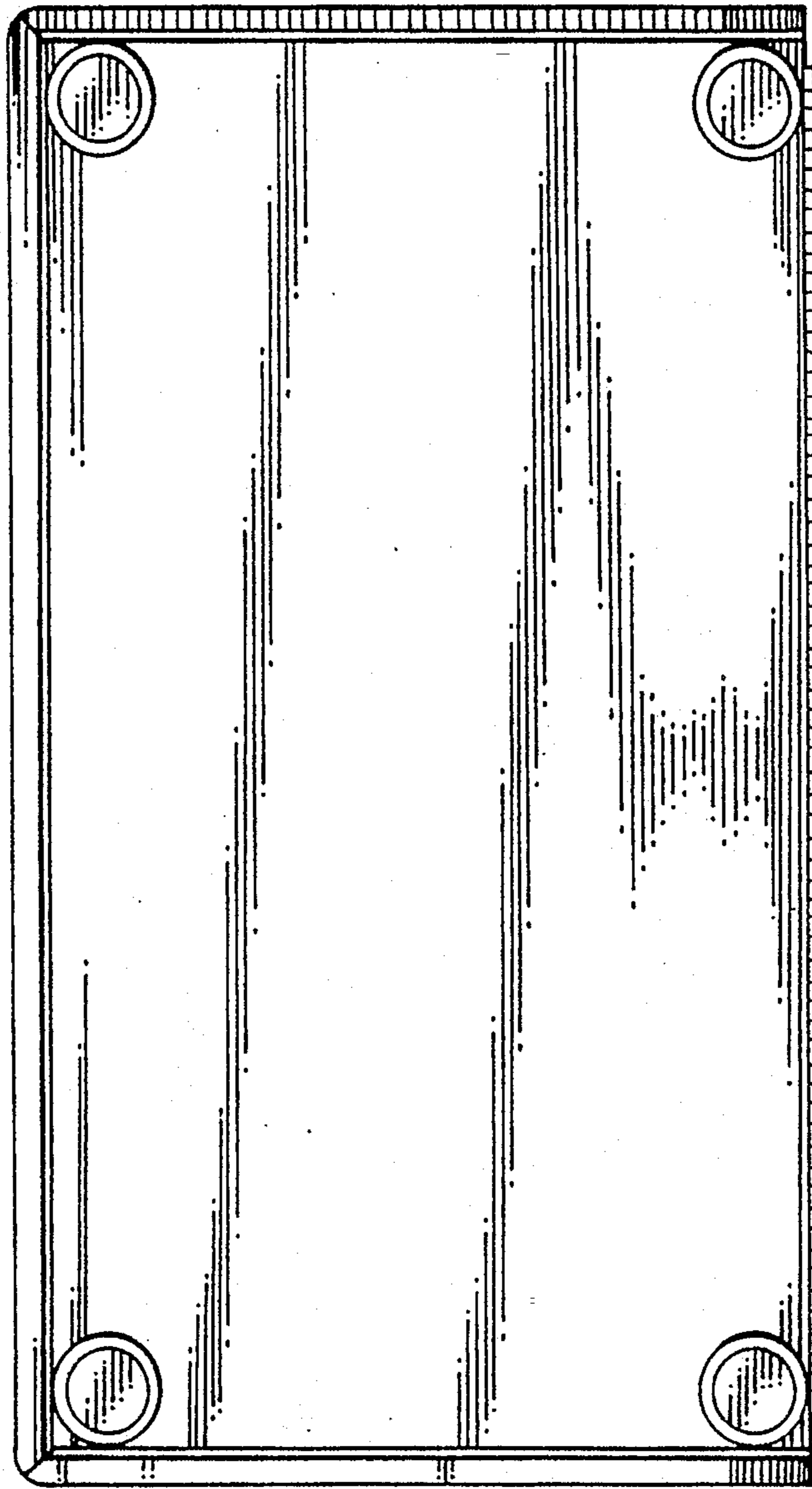


FIG. 4



DESIGN



F I B