

- [54] **SEAT**
- [75] **Inventor: Hoi Choi, Whitby, Canada**
- [73] **Assignee: Sklar-Peppler Inc., Whitby, Canada**
- [**] **Term: 14 Years**
- [21] **Appl. No.: 15,603**
- [22] **Filed: Feb. 17, 1987**
- [52] **U.S. Cl. D6/334; D6/381**
- [58] **Field of Search D6/334, 381**

[56] **References Cited**

U.S. PATENT DOCUMENTS

D. 106,798	11/1937	Kaufman	D6/334
D. 118,465	1/1940	Wood	D6/334
D. 122,730	9/1940	Union et al.	D6/334
D. 292,146	10/1987	Culler	D6/334
D. 293,395	12/1987	Hoffmann	D6/371

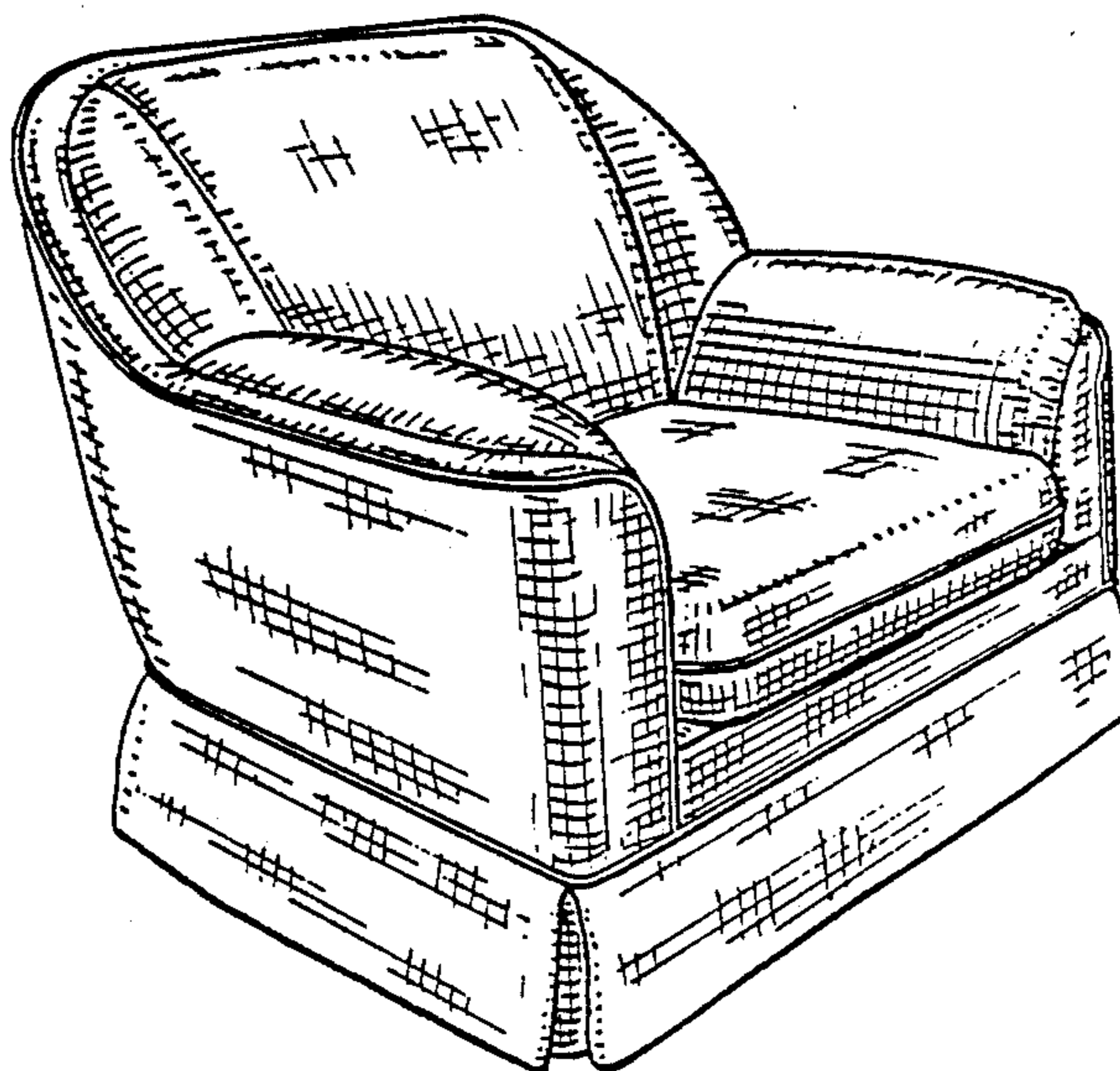
Primary Examiner—Nelson C. Holtje
Assistant Examiner—Ann Hunt
Attorney, Agent, or Firm—Fetherstonhaugh & Co.

[57] **CLAIM**

The ornamental design of a seat, as shown and described.

DESCRIPTION

FIG. 1 is a front perspective view of the seat showing my new design;
 FIG. 2 is a rear perspective view;
 FIG. 3 is a bottom perspective view;
 FIG. 4 is a top plan view thereof;
 FIG. 5 is a front perspective view of the seat in the form of a loveseat;
 FIG. 6 is a rear perspective view;
 FIG. 7 is a bottom perspective view; and
 FIG. 8 is a top plan view thereof.



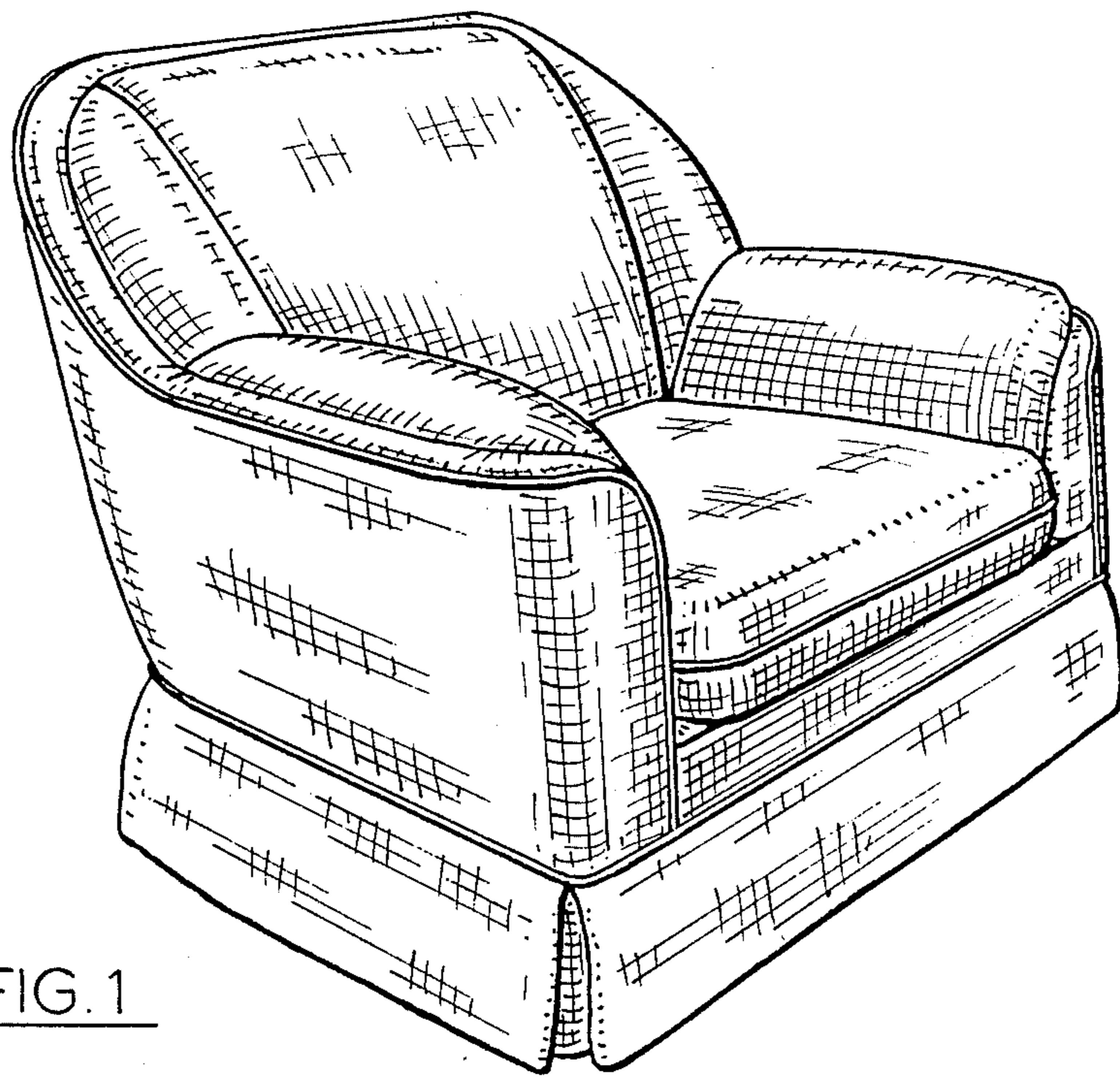


FIG. 1

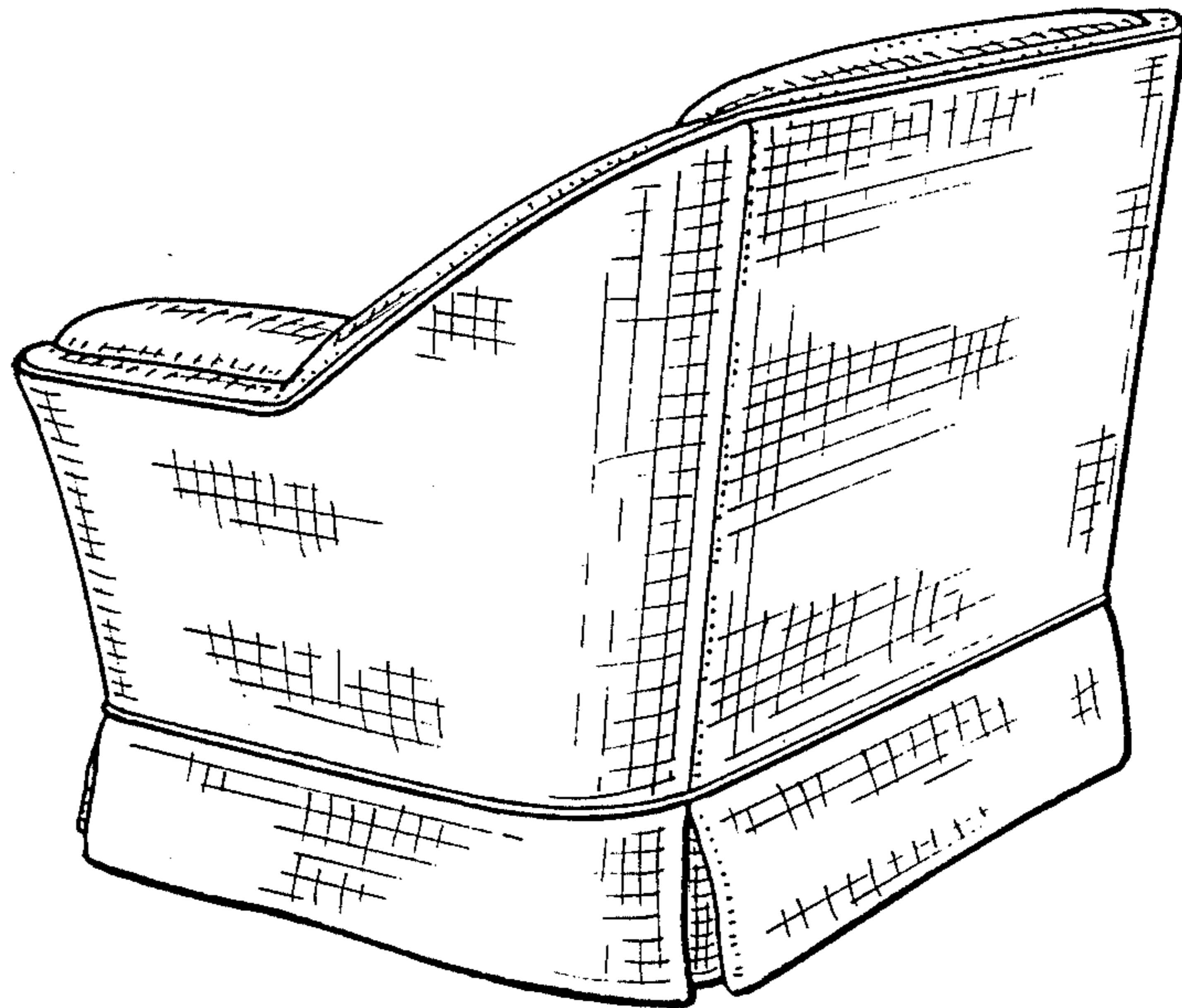


FIG. 2

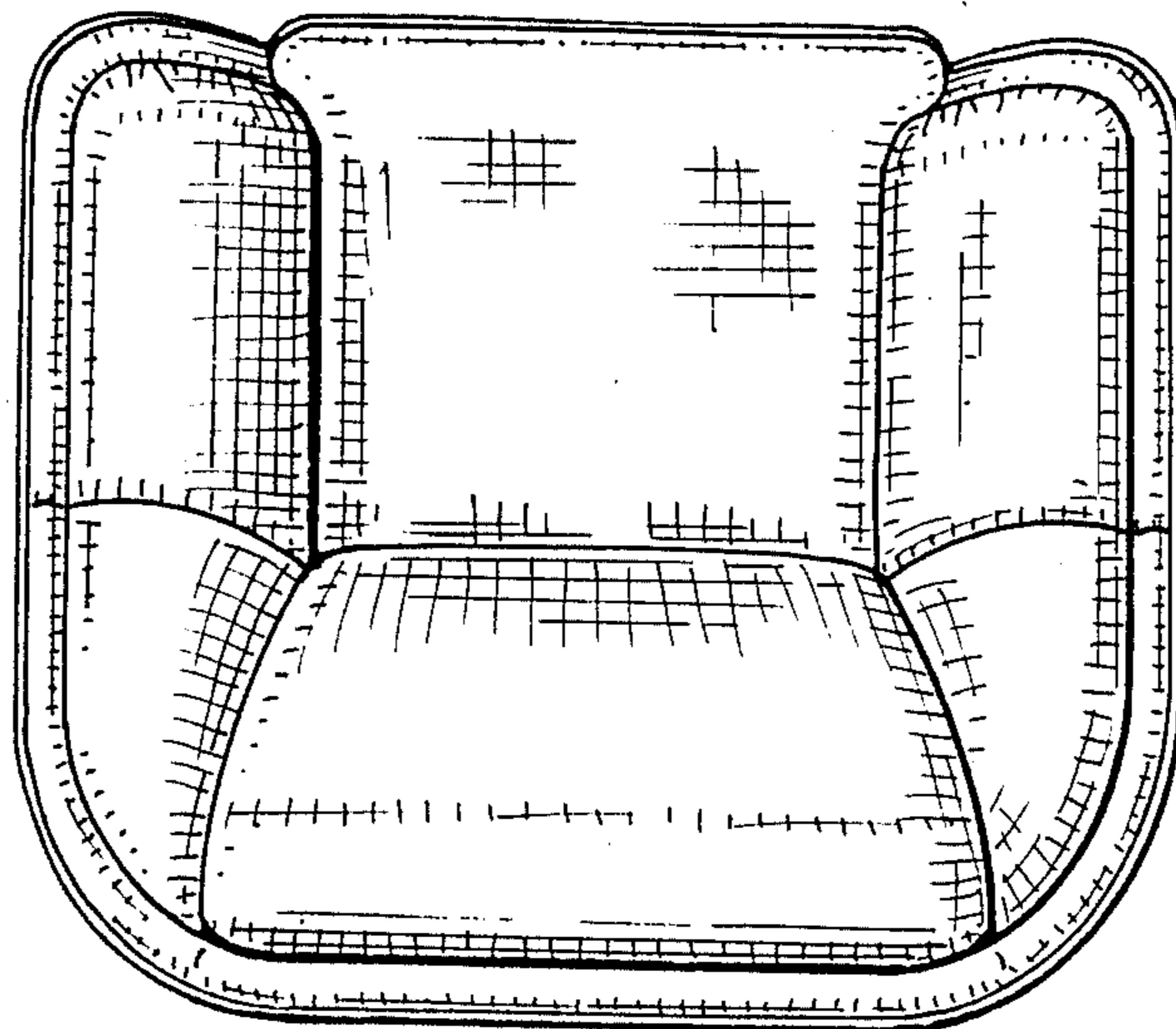
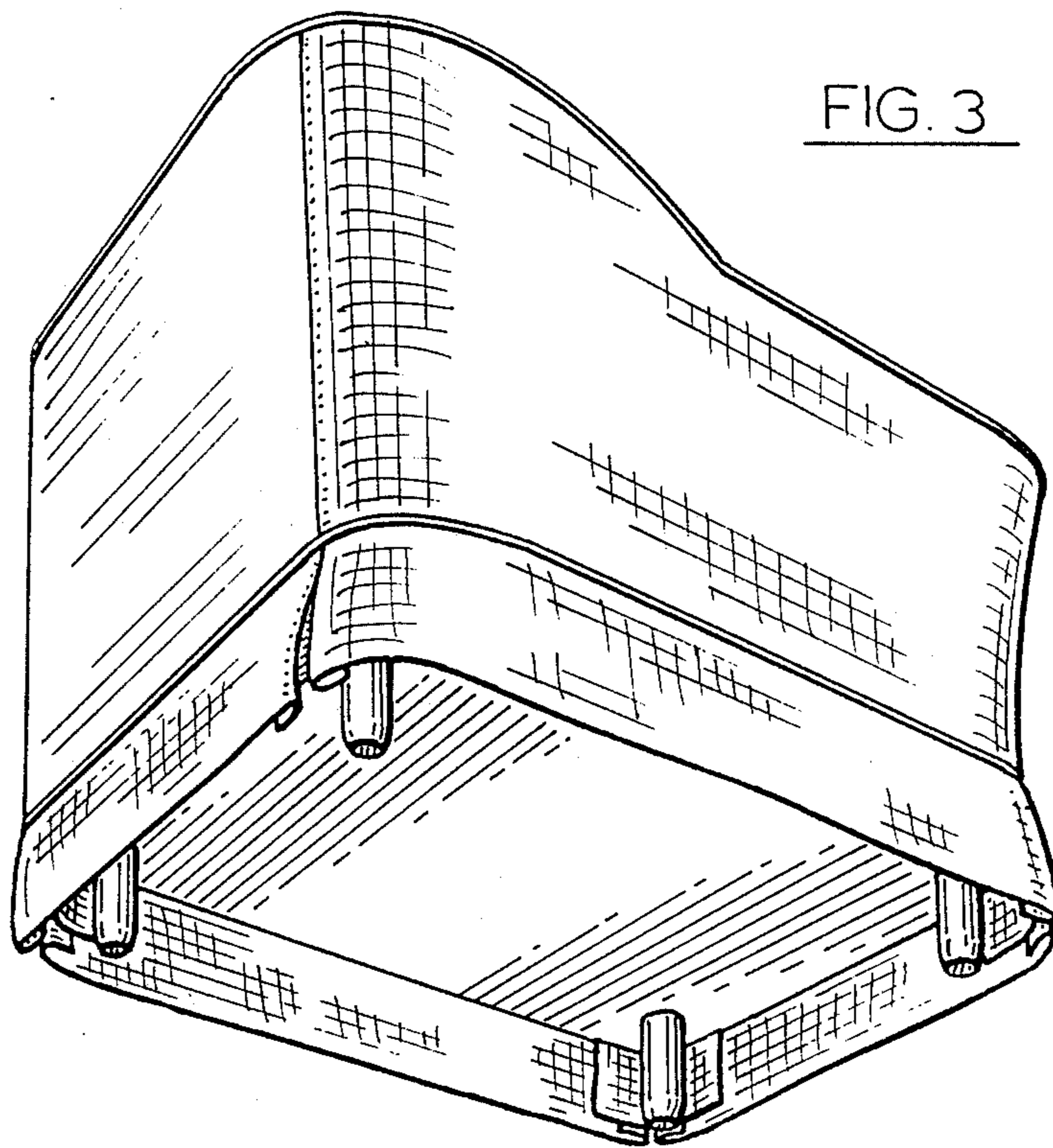


FIG. 5

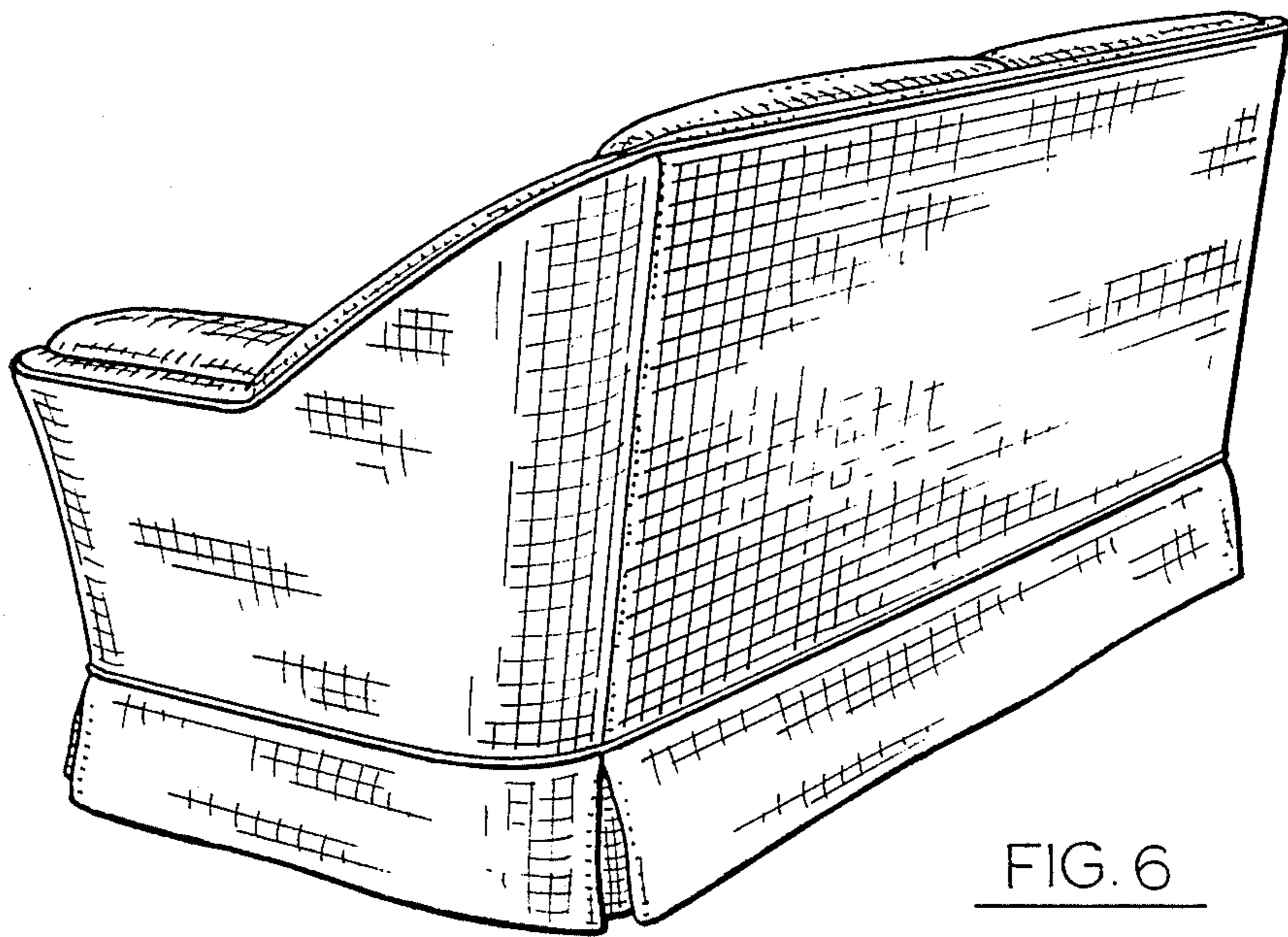
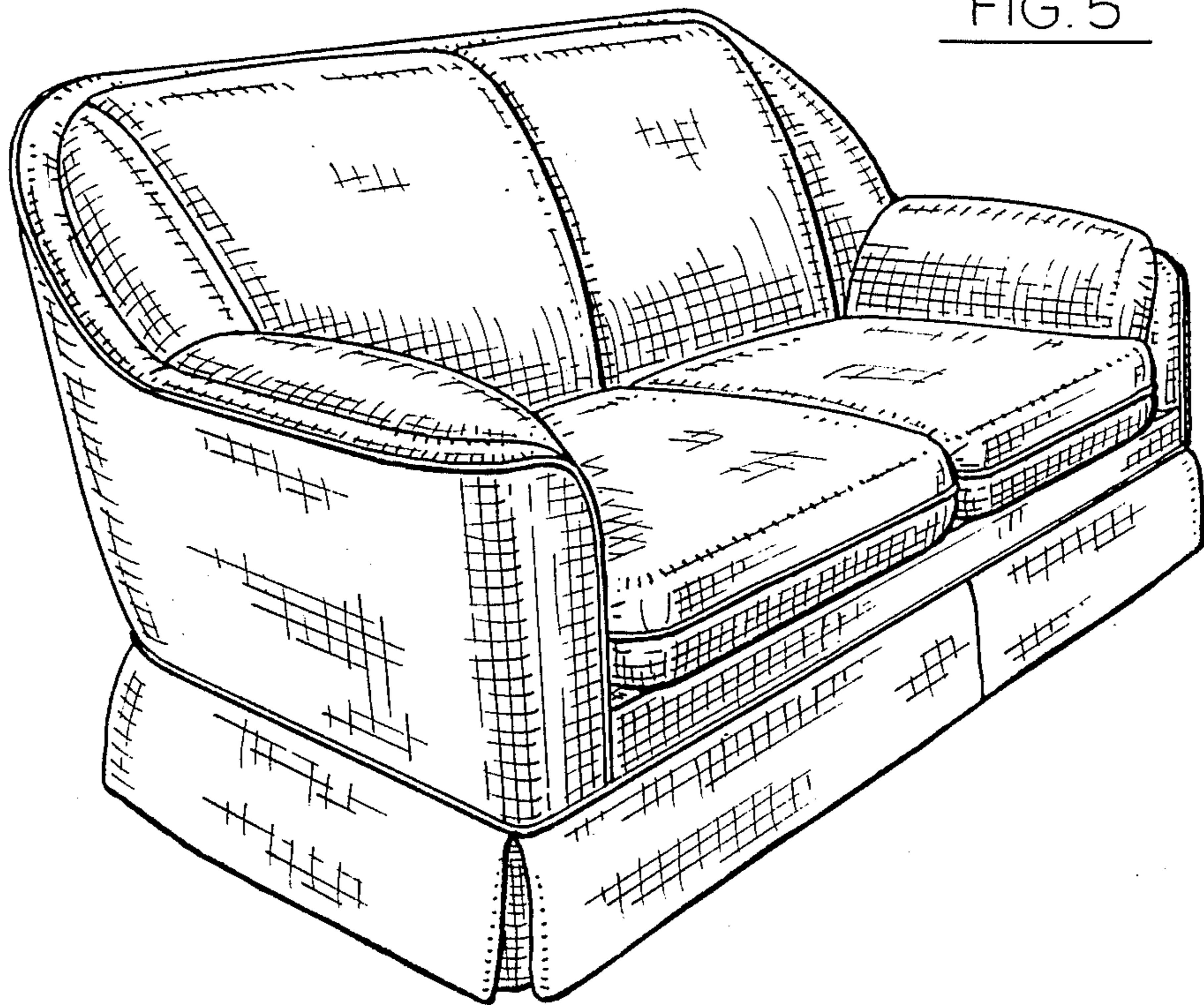


FIG. 6

FIG. 7

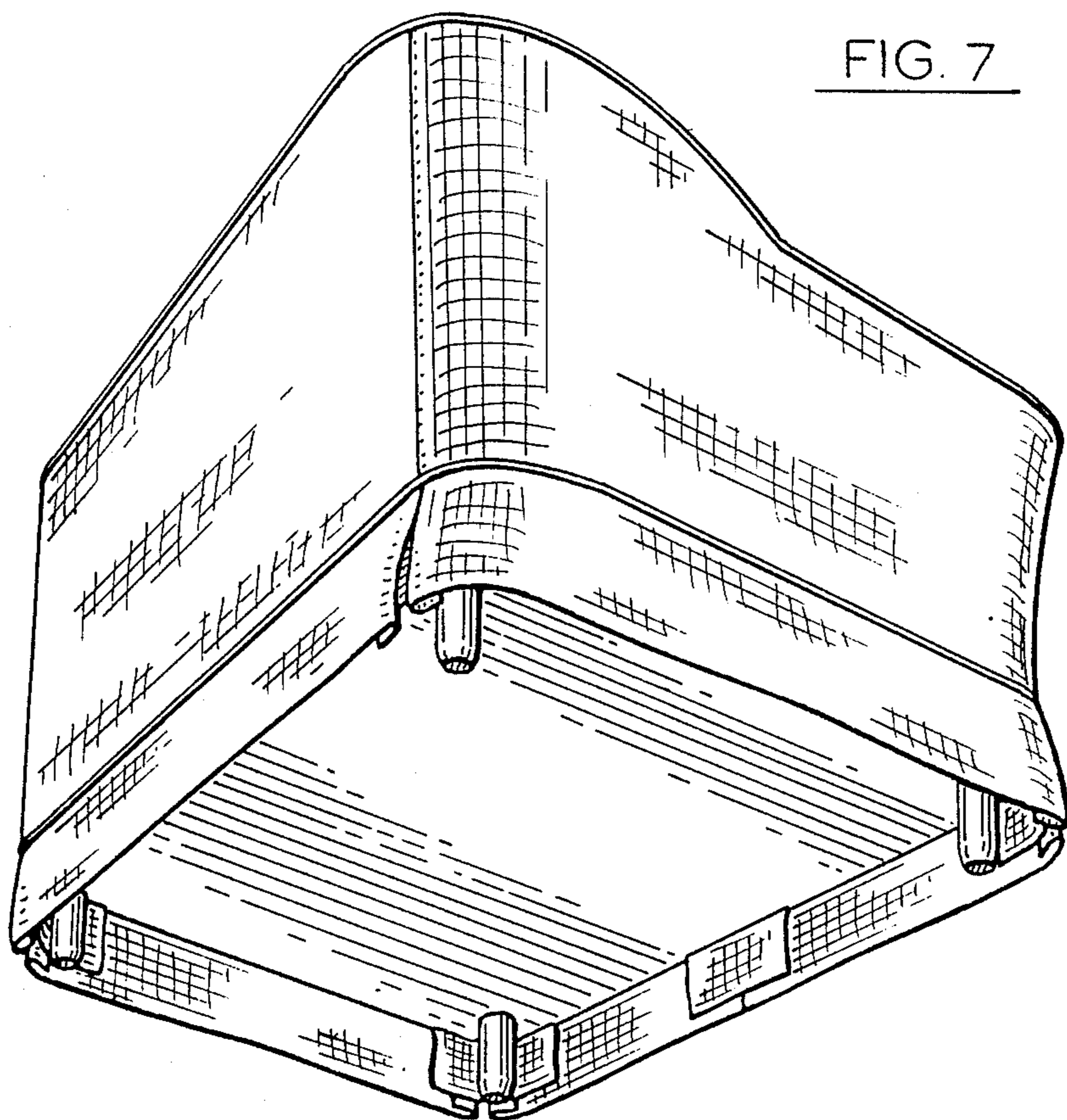


FIG. 8

