

United States Patent [19]

Duester

[11] Patent Number: Des. 307,982

[45] Date of Patent: ** May 22, 1990

- [54] HANGER CLAMP
- [75] Inventor: Everett L. Duester, Zeeland, Mich.
- [73] Assignee: Batts, Inc., Zeeland, Mich.
- [**] Term: 14 Years
- [21] Appl. No.: 121,592
- [22] Filed: Nov. 16, 1987

- D. 264,662 6/1982 Bisk et al. D6/328
- D. 271,649 12/1983 Batts et al. D6/328
- D. 296,729 7/1988 Blanchard D6/328
- 4,701,983 10/1987 Warmath 24/511
- 4,716,634 1/1988 Fan 24/545

Primary Examiner—B. J. Bullock
 Attorney, Agent, or Firm—Price, Heneveld, Cooper,
 DeWitt & Litton

Related U.S. Application Data

- [63] Continuation-in-part of Ser. No. 941,283, Dec. 12, 1986, now Pat. No. Des. 298,287.
- [52] U.S. Cl. D6/328; D8/395
- [58] Field of Search D6/326, 328; D8/395; 223/85, 90, 91, 93, 96, DIG. 2; 24/500, 505, 511

References Cited

U.S. PATENT DOCUMENTS

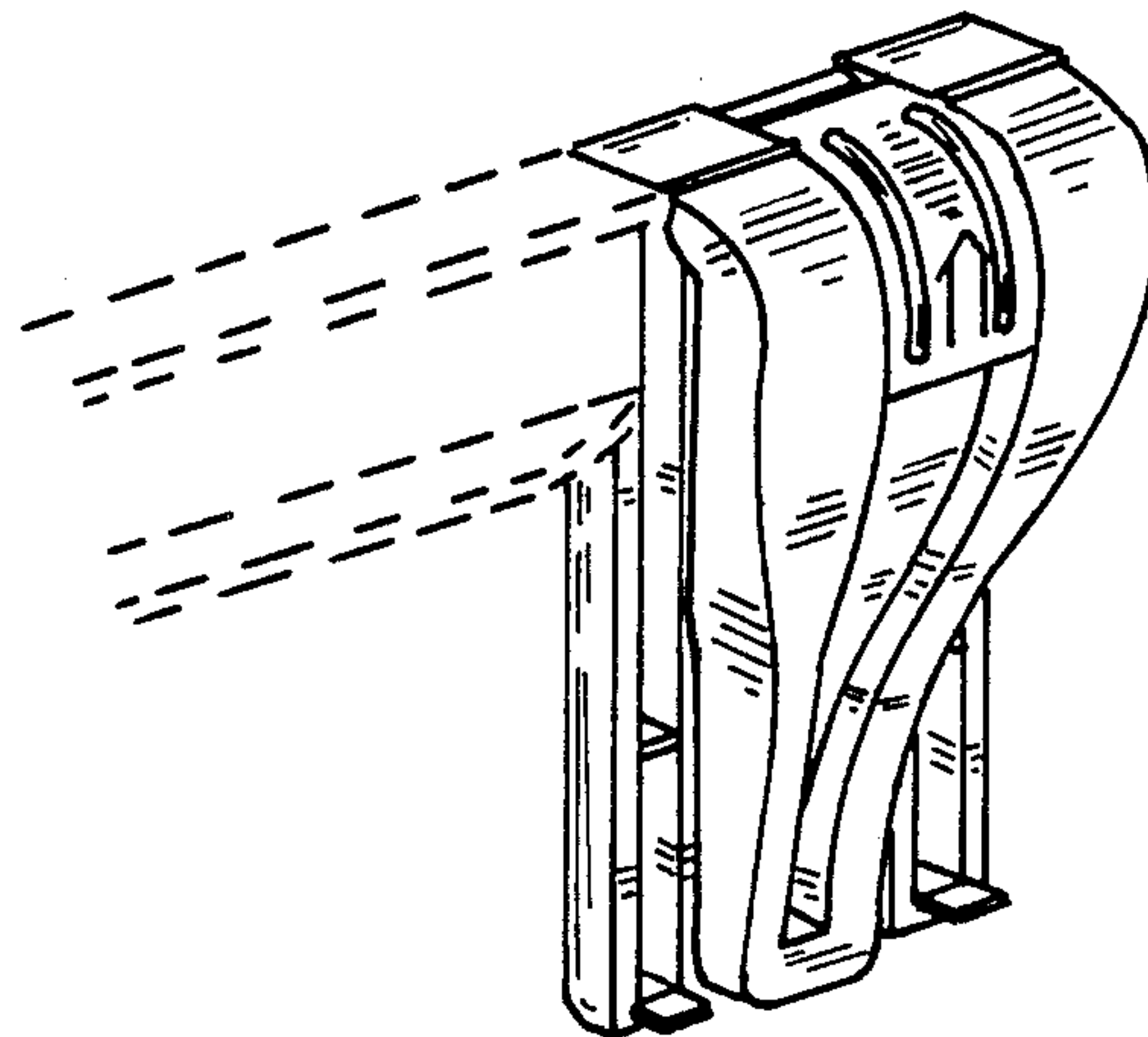
- D. 243,138 1/1977 Coon D6/326
- D. 251,345 3/1979 Bigelow et al. D6/328

[57] CLAIM

The ornamental design for a hanger clamp, as shown and described.

DESCRIPTION

FIG. 1 is a front elevational view of a hanger clamp showing my new design;
 FIG. 2 is a top plan view thereof;
 FIG. 3 is a bottom plan view thereof;
 FIG. 4 is a rear elevational view thereof;
 FIG. 5 is a left side elevational view thereof, the opposite being substantially a mirror image; and
 FIG. 6 is an enlarged perspective view thereof.



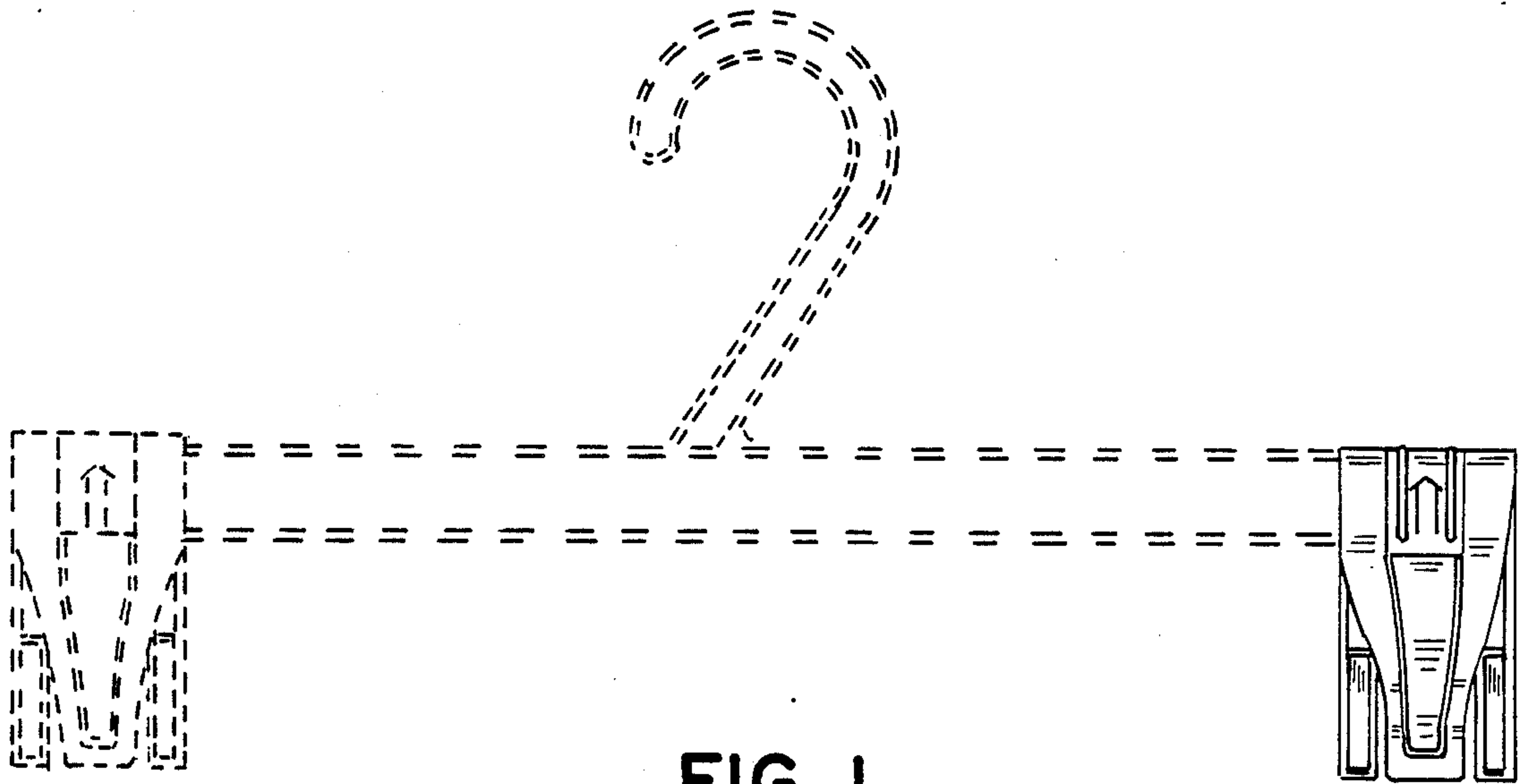


FIG. 1

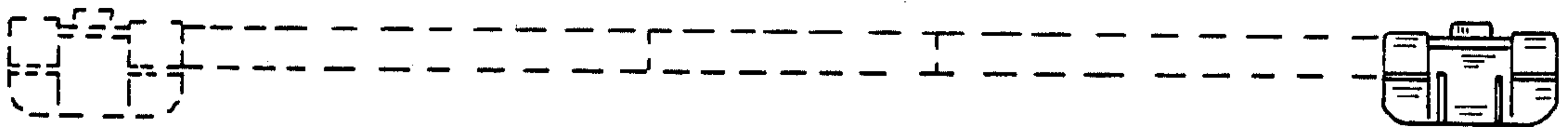


FIG. 2

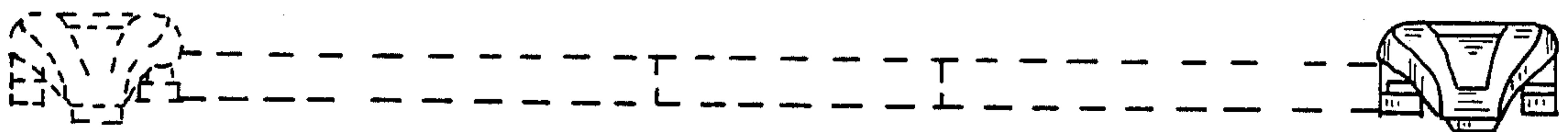


FIG. 3

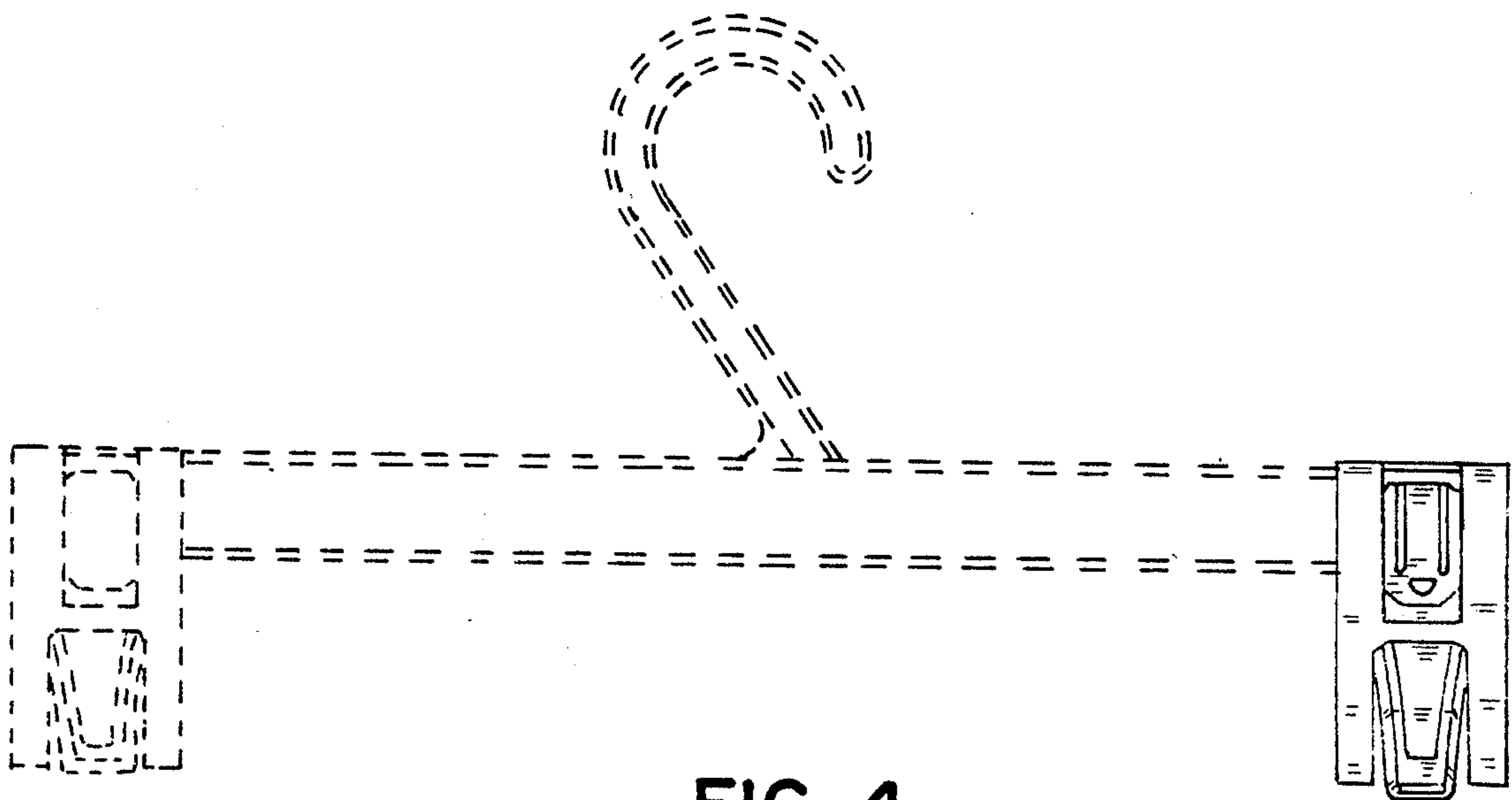


FIG. 4

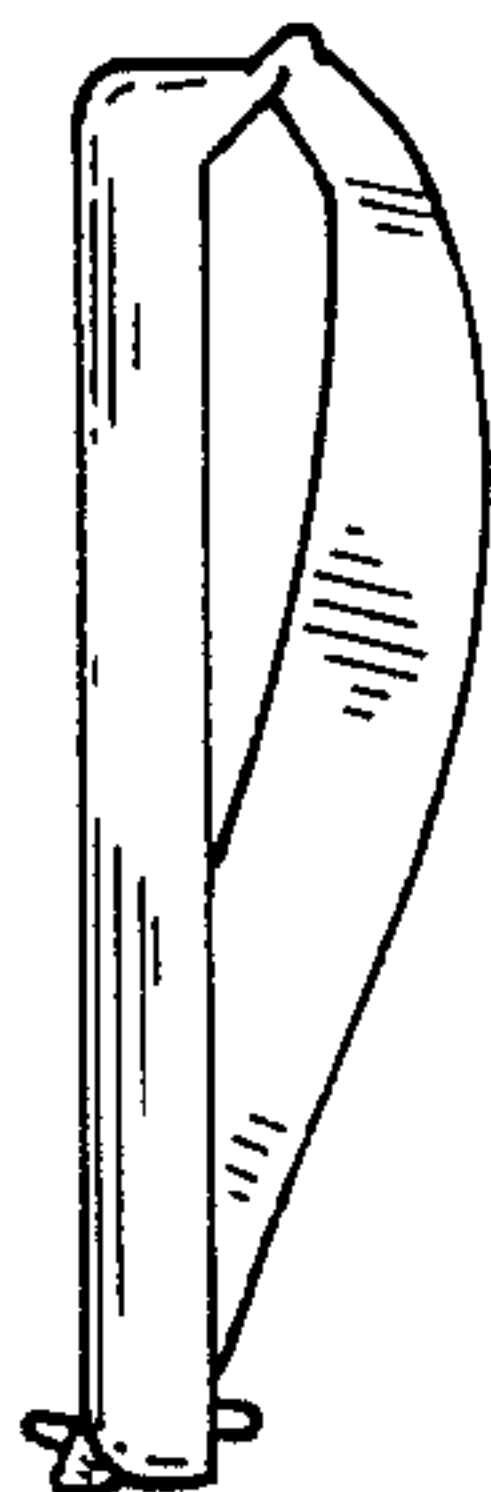


FIG. 5

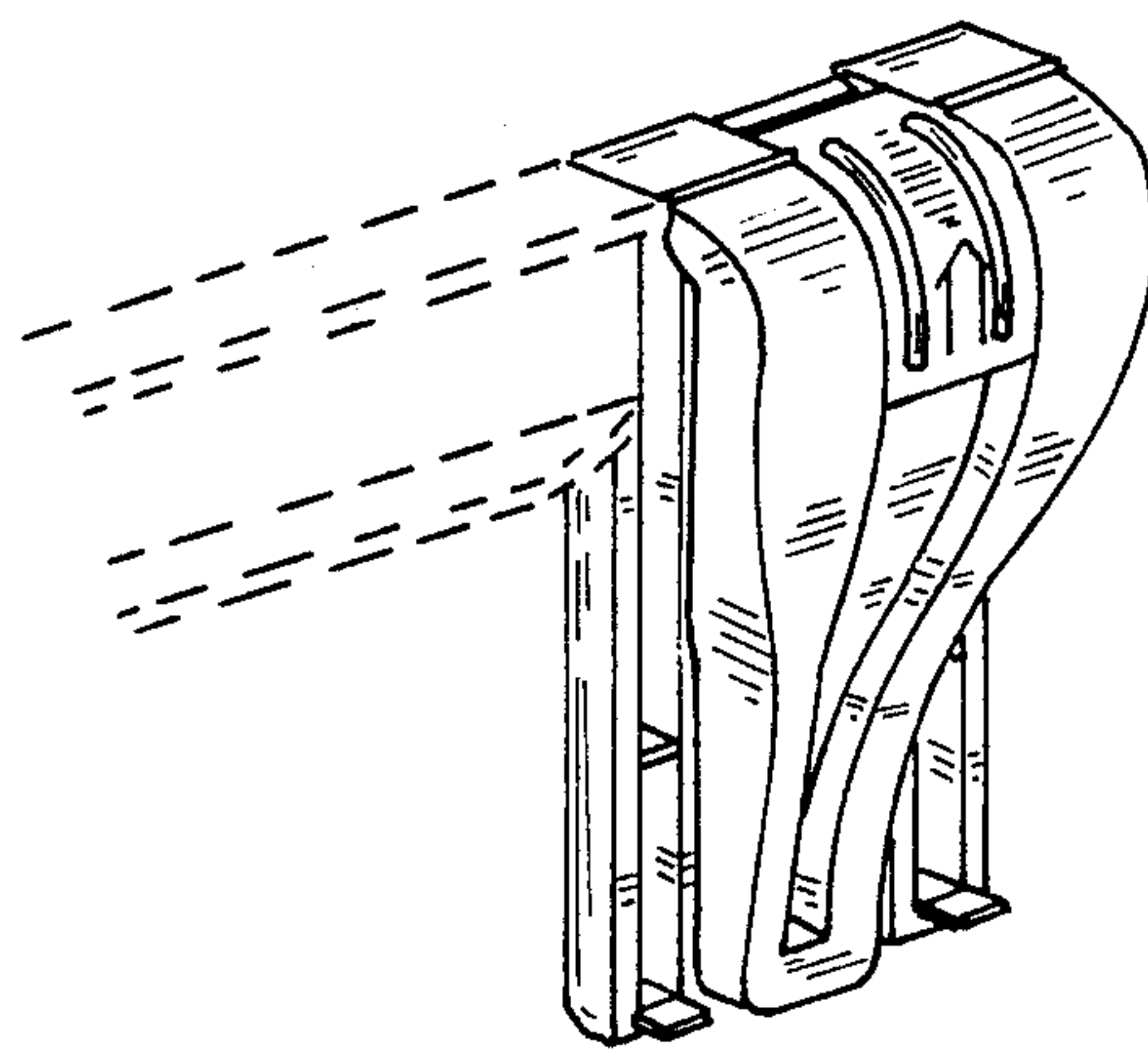


FIG. 6

UNITED STATES PATENT AND TRADEMARK OFFICE
CERTIFICATE OF CORRECTION

PATENT NO. : Des. 307,982
DATED : May 22, 1990
INVENTOR(S) : Everett L. Duester

It is certified that error appears in the above-identified patent and that said Letters Patent is hereby corrected as shown below:

Title page item [63], under Related U.S. Application Data;

"Continuation-in-part of Ser. No. 941,283, Dec. 12, 1986, now Pat. No. Des. 298,287" should be -- Continuation-in-part of Ser. No. 941,283, Dec. 12, 1986, now Pat. No. Des. 298,387--.

**Signed and Sealed this
Third Day of March, 1992**

Attest:

Attesting Officer

HARRY F. MANBECK, JR.

Commissioner of Patents and Trademarks