

[54] COMBINED PUSH BROOM HEAD AND SCRAPER

[75] Inventor: Jolyon Saunders, Green Bay, New Zealand

[73] Assignee: Libman Broom Company, Arcola, Ill.

[**] Term: 14 Years

[21] Appl. No.: 31,446

[22] Filed: Mar. 30, 1987

[52] U.S. Cl. D4/118; D32/42; D32/50

[58] Field of Search D4/130, 132, 199; D32/40, 50-52; 15/111, 159 R, 159 A, 160, 171-172, 245

[56] References Cited

U.S. PATENT DOCUMENTS

D. 135,976	7/1943	Moskowitz	D32/50
616,504	12/1898	Stewart	401/23
2,163,638	6/1939	Vaughn	D32/50 X

Primary Examiner—Wallace R. Burke
Assistant Examiner—Lavone D. Tabor
Attorney, Agent, or Firm—Marshall, O'Toole, Gerstein, Murray & Bicknell

[57] CLAIM

The ornamental design for a combined push broom head and scraper, as shown and described.

DESCRIPTION

FIG. 1 is a side elevational view of a combined push broom head and scraper showing my new design, the opposite side being a mirror image;
FIG. 2 is a top plan view thereof;
FIG. 3 is a rear elevational view thereof;
FIG. 4 is a front elevational view thereof;
FIG. 5 is a bottom plan view thereof;
FIG. 6 is a sectional view thereof, taken along line 6—6 of FIG. 3; and
FIG. 7 is an enlarged perspective view thereof.
The broken lines showing of a handle and/or bristles in FIGS. 1-7 are for illustrative purposes only and form no part of the claimed design.

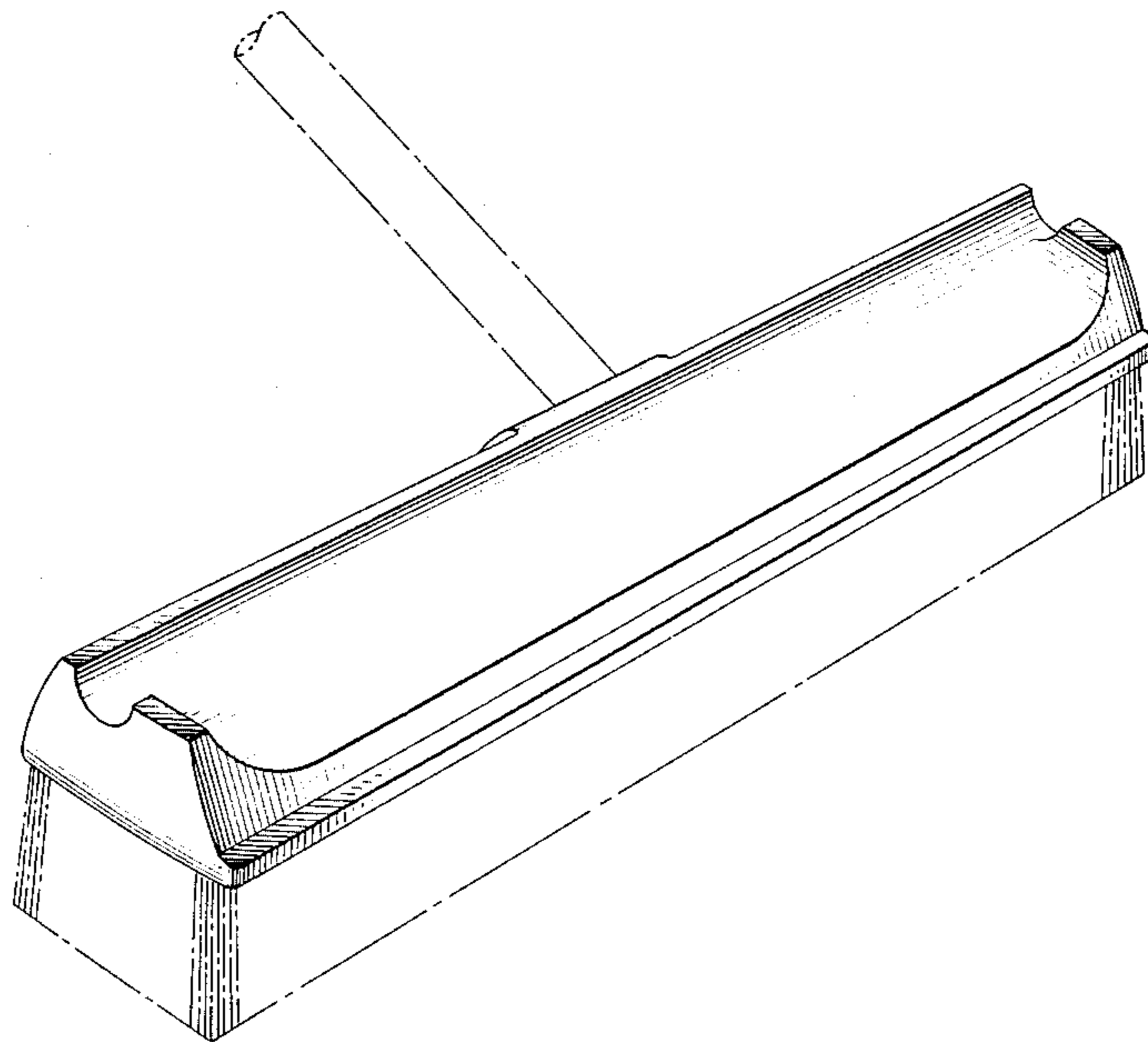


FIG. 1

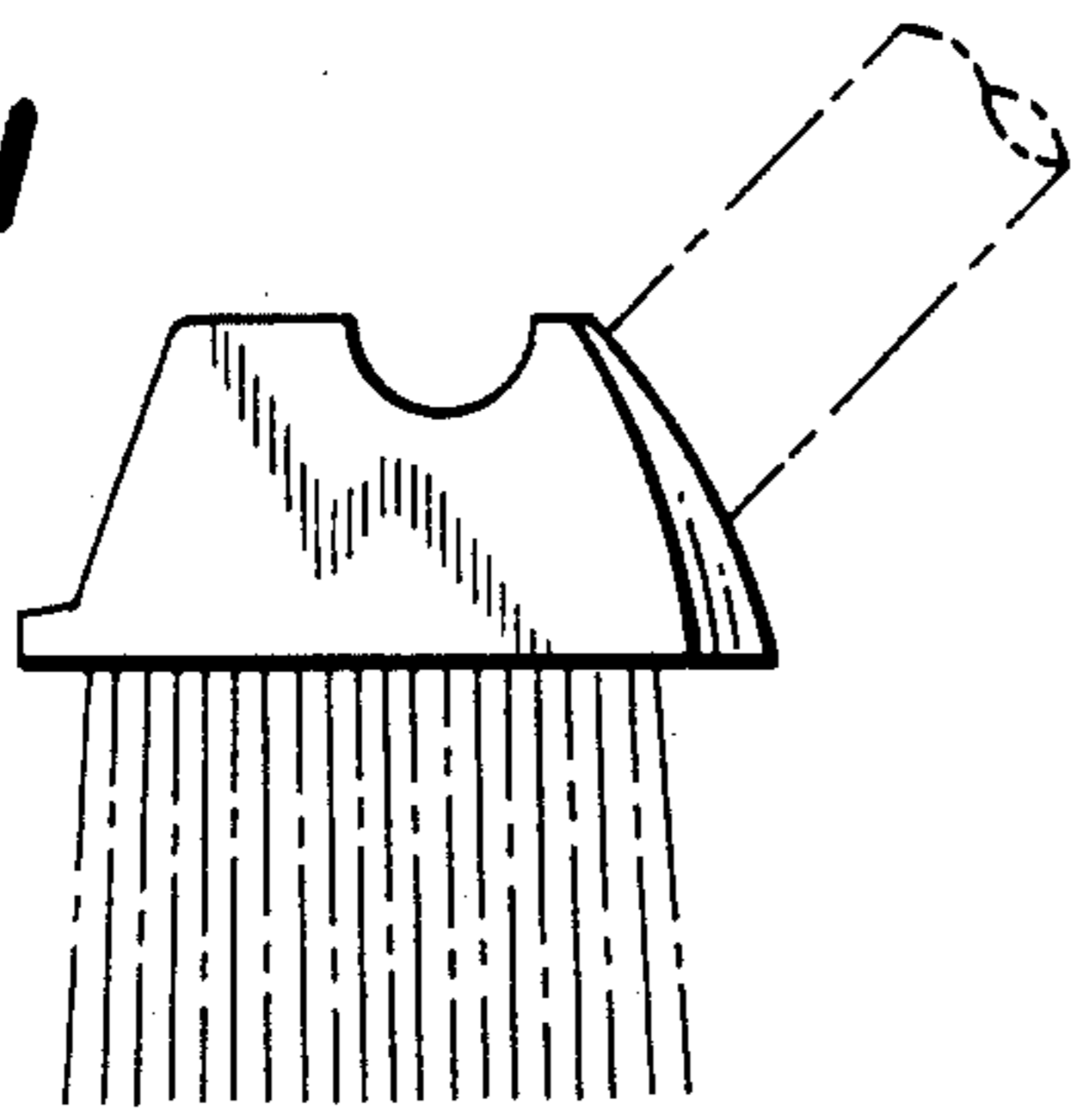


FIG. 6

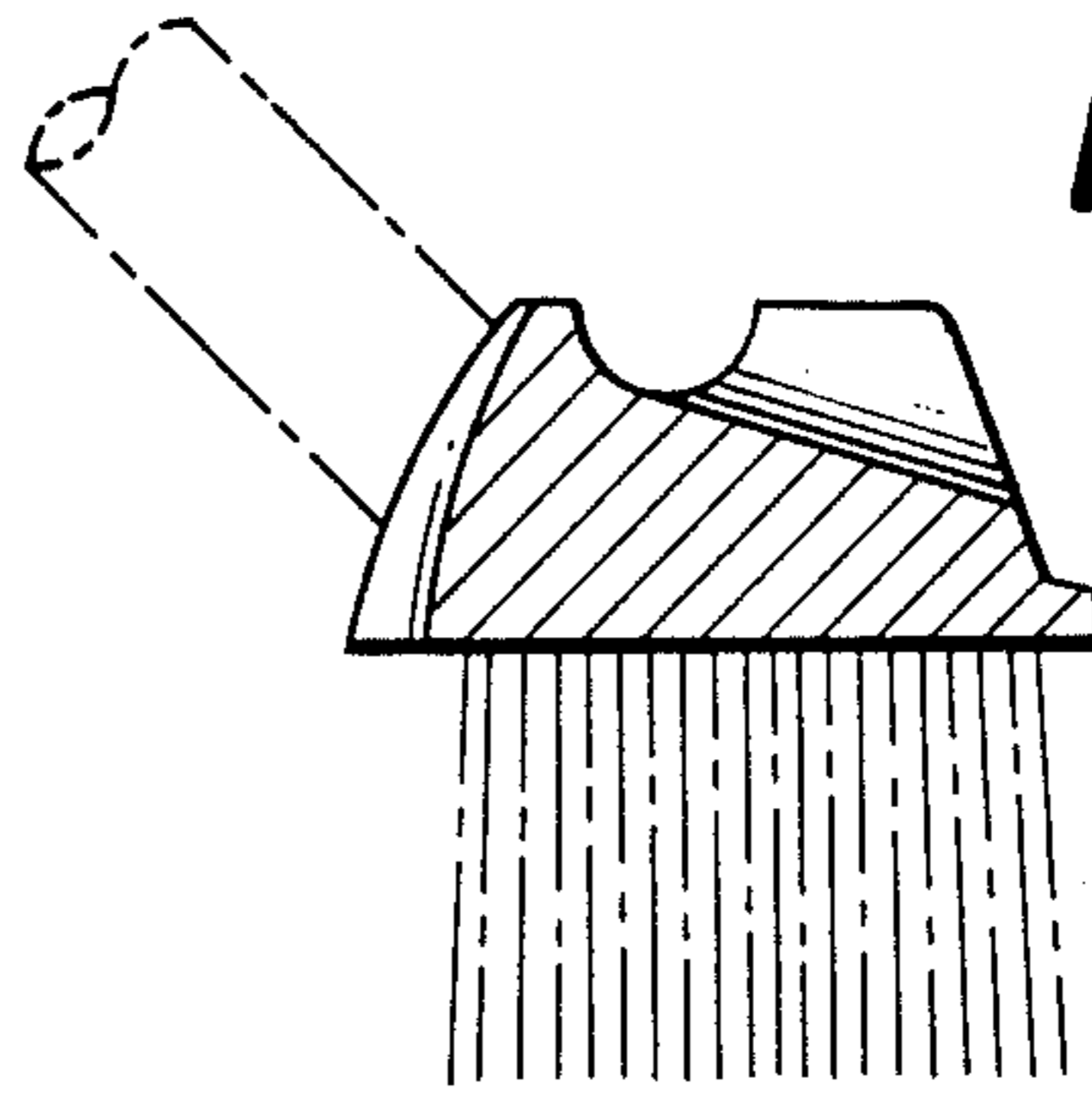


FIG. 2

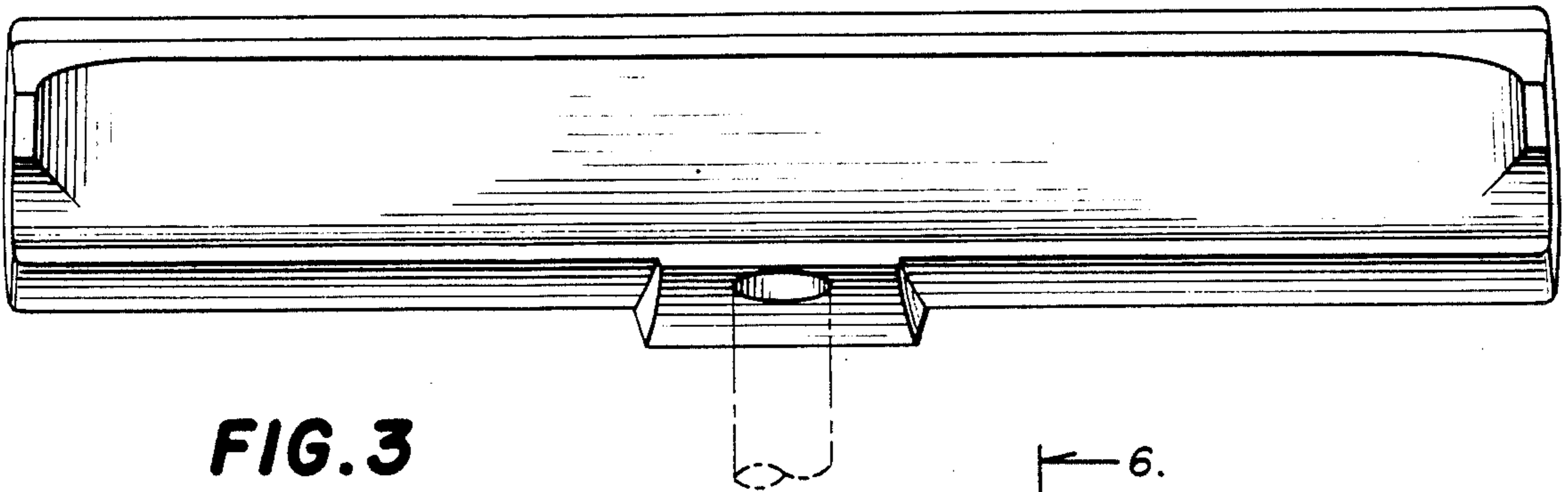


FIG. 3

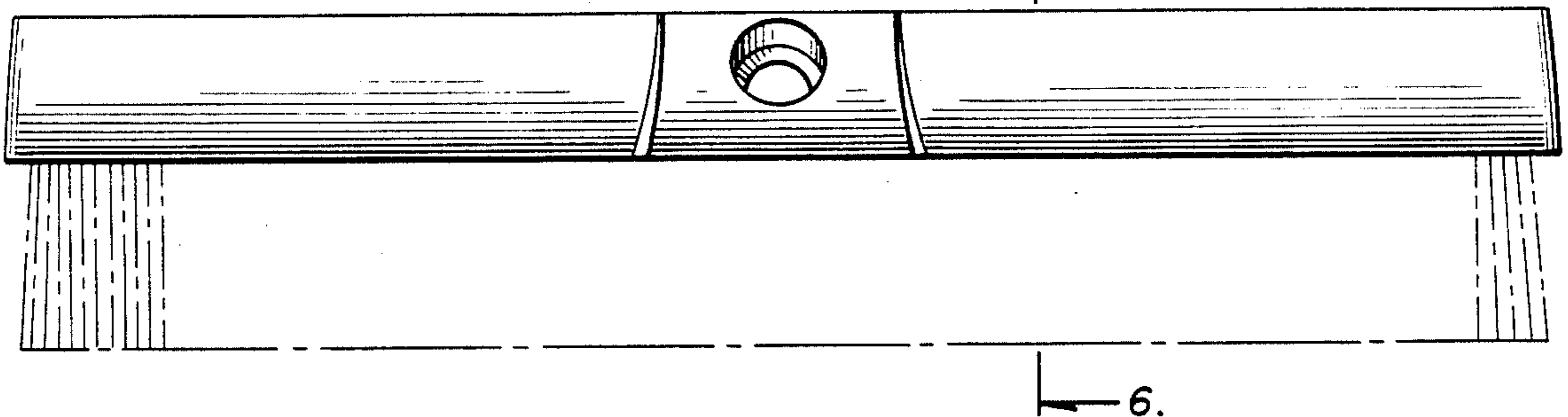


FIG. 4

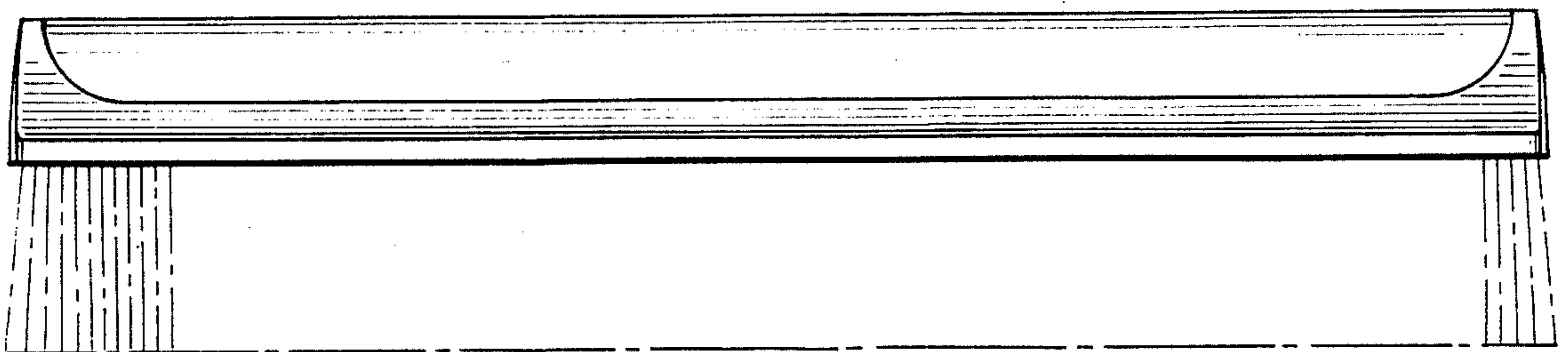
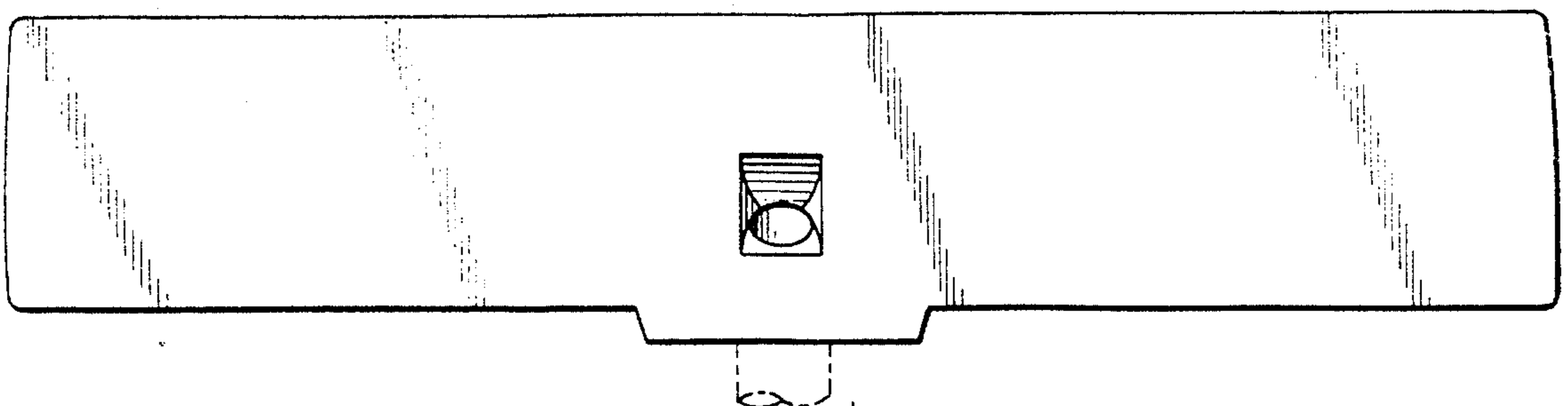


FIG. 5



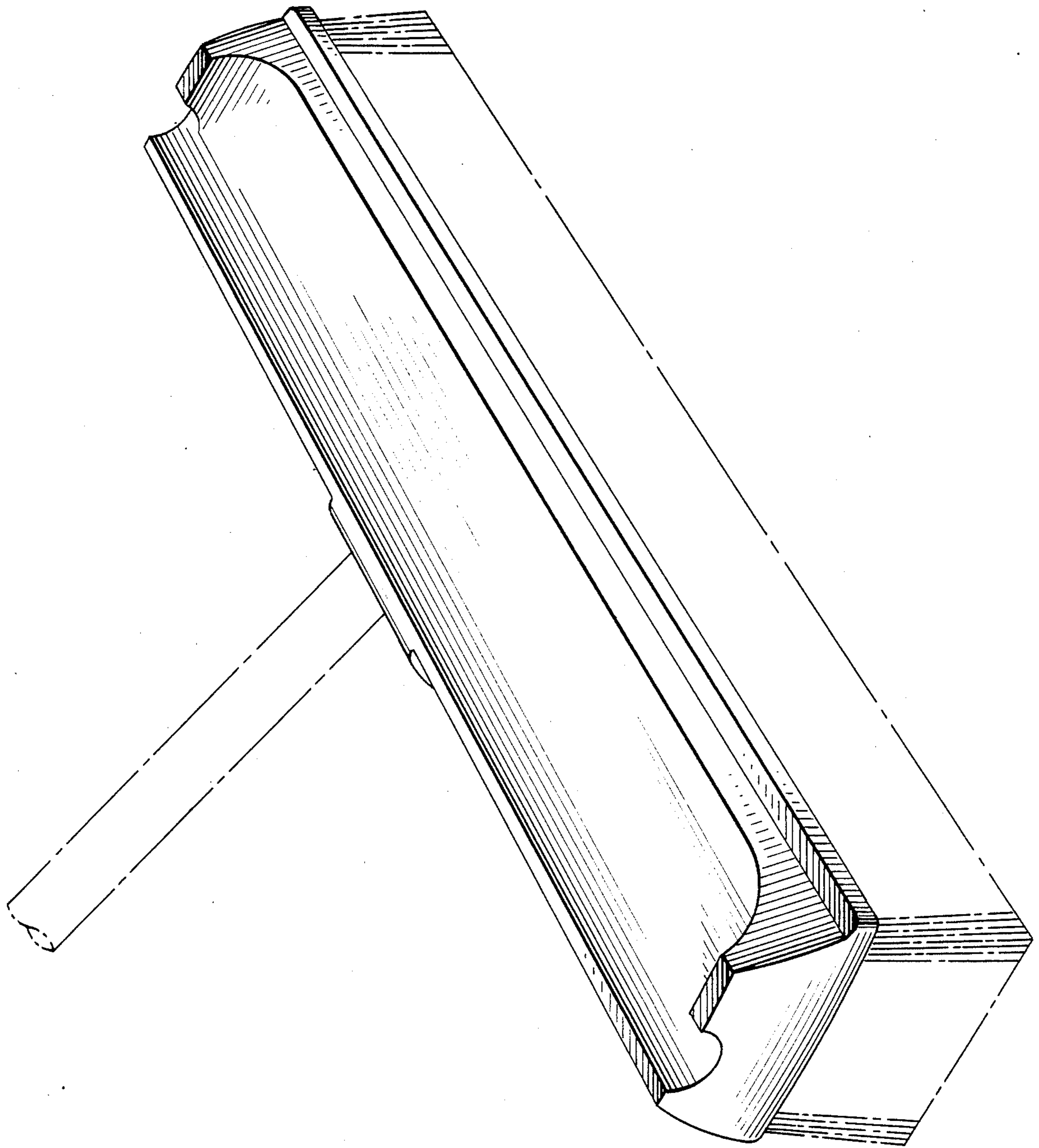


FIG. 7