

[54] WEDDING CAKE

[75] Inventor: William J. Maloney, II, East Aurora, N.Y.

[73] Assignee: The Quaker Oats Company, Chicago, Ill.

[**] Term: 14 Years

[21] Appl. No.: 70,889

[22] Filed: Jul. 8, 1987

[52] U.S. Cl. D1/129; D1/130

[58] Field of Search D1/129, 130, 199; D11/184; D7/83, 23, 29; 426/104; 428/7; 206/457; D25/10

[56] References Cited

U.S. PATENT DOCUMENTS

D. 177,188 3/1956 Murdock D11/184

D. 238,790 2/1976 Orosz D11/184
2,347,041 4/1944 Filsinger D7/83 X
2,973,871 3/1961 Wukowitz D7/83 X
4,461,790 7/1984 Snider D11/184 X

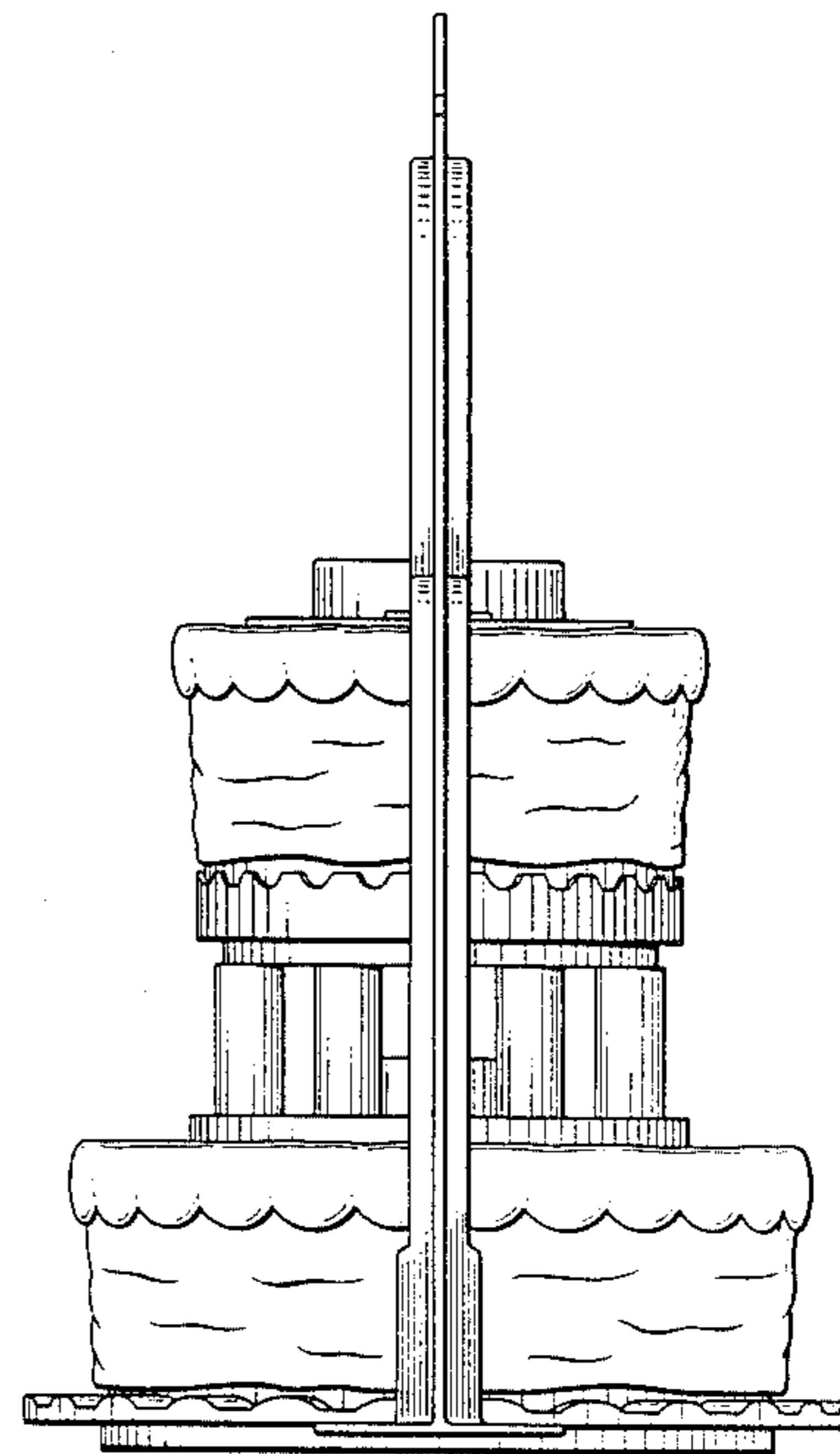
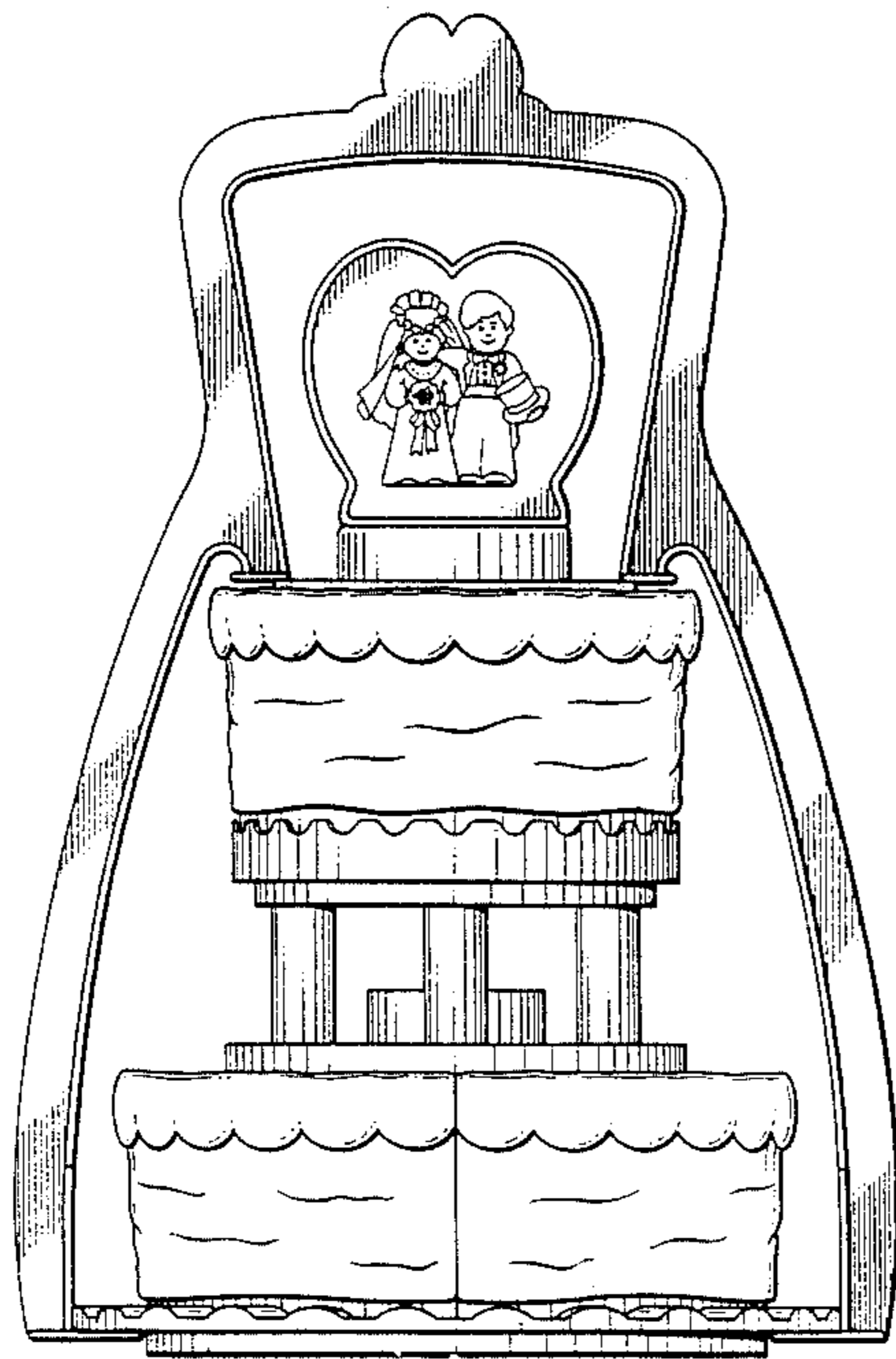
Primary Examiner—Wallace R. Burke
Assistant Examiner—Pamela J. Schmidt
Attorney, Agent, or Firm—Cumpston & Shaw

[57] CLAIM

The ornamental design for a wedding cake, as shown and described.

DESCRIPTION

FIG. 1 is a front elevational view of a wedding cake showing my new design, the undisclosed rear being the same;
FIG. 2 is a side elevational view thereof, the undisclosed side being the same;
FIG. 3 is a top plan view thereof; and
FIG. 4 is a bottom plan view thereof.



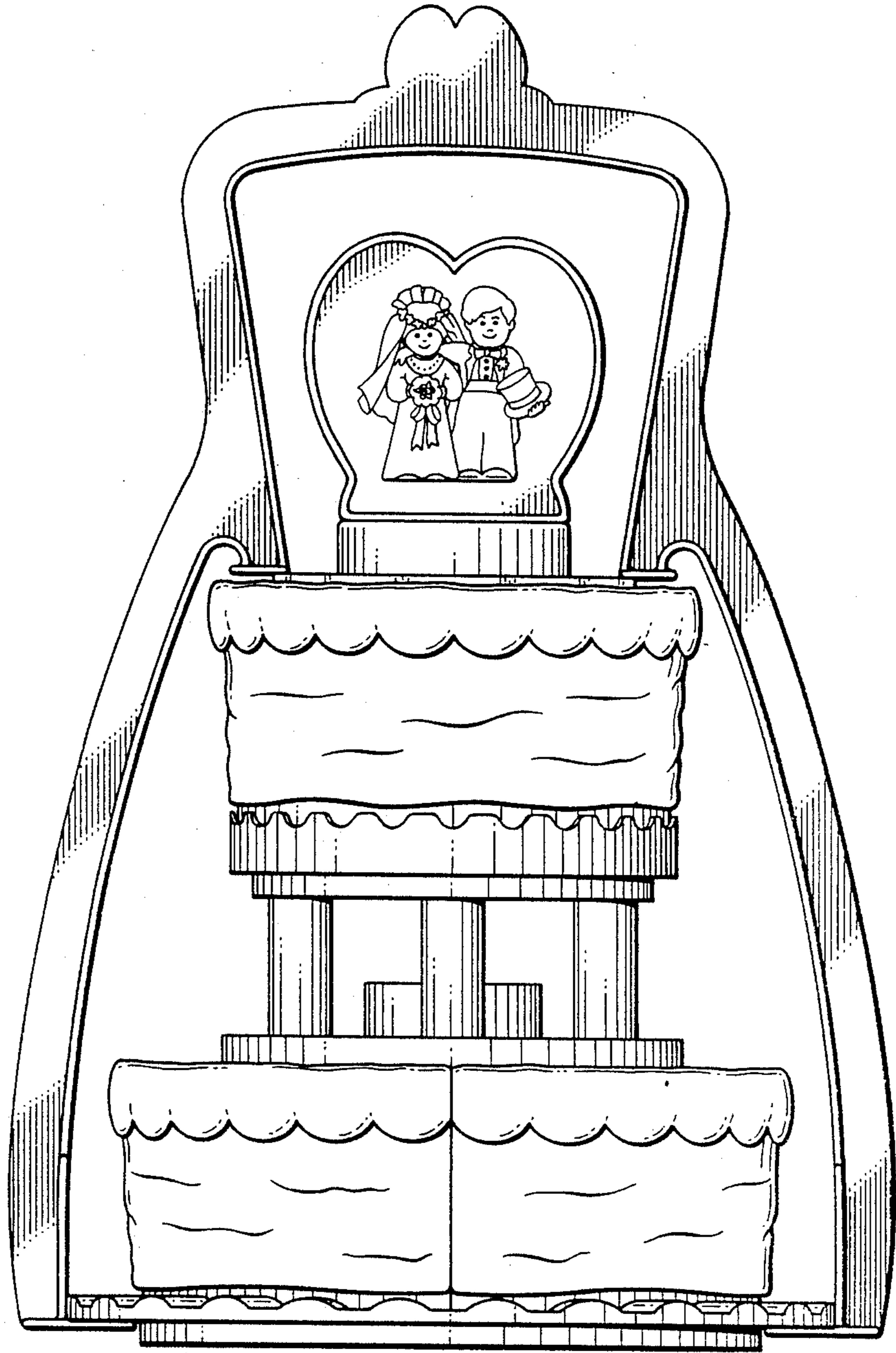


FIG. 1

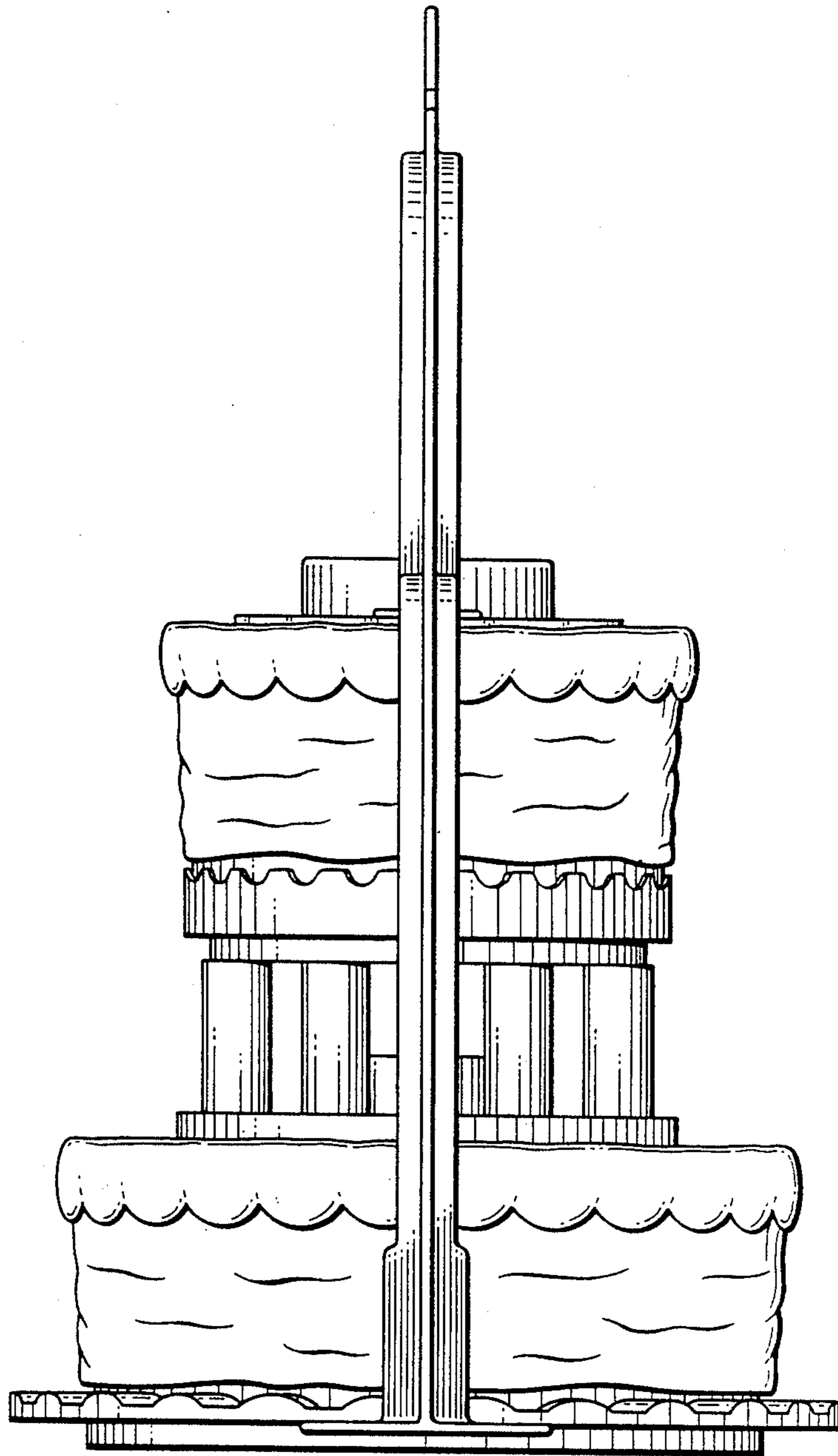


FIG. 2

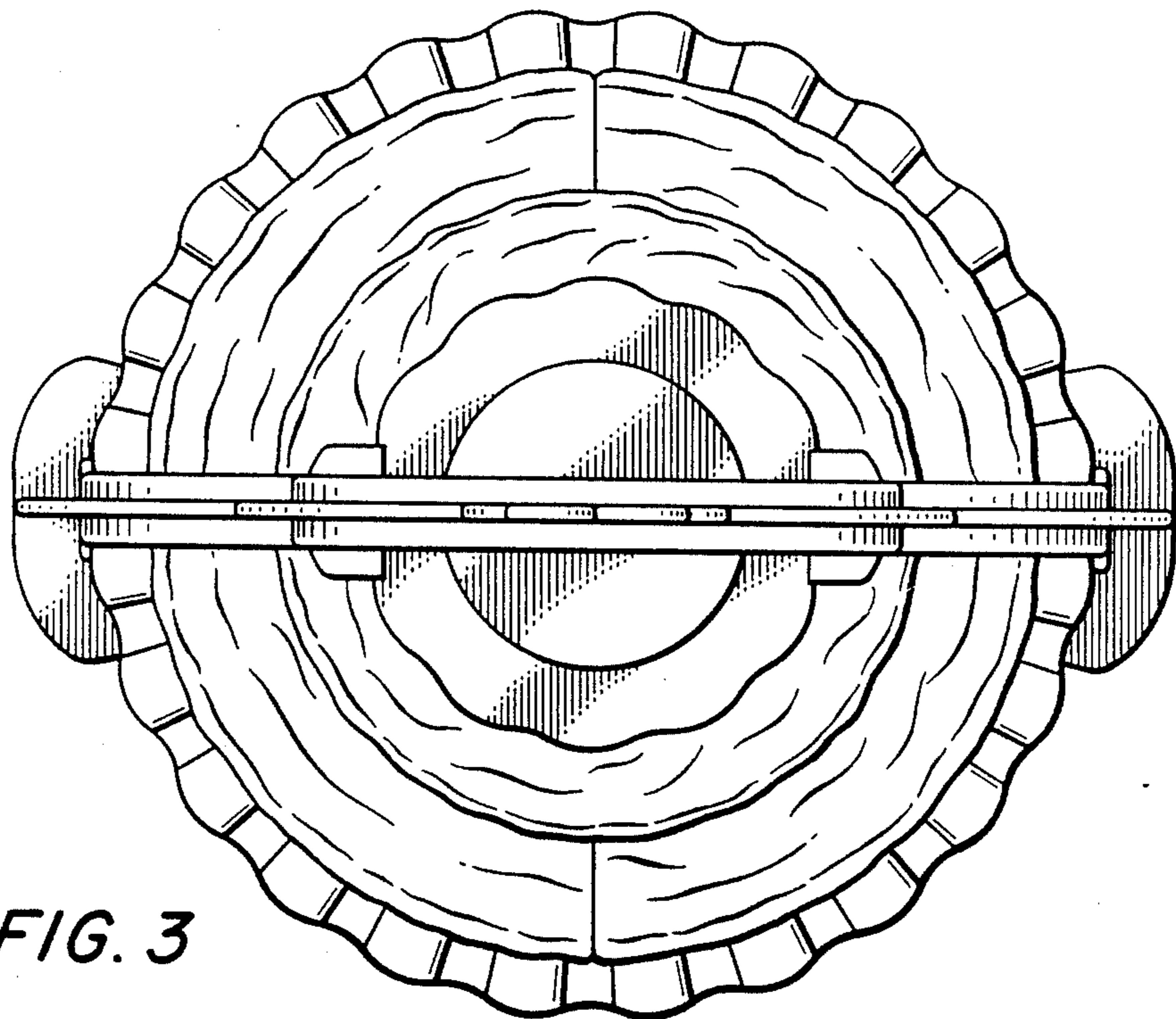


FIG. 3

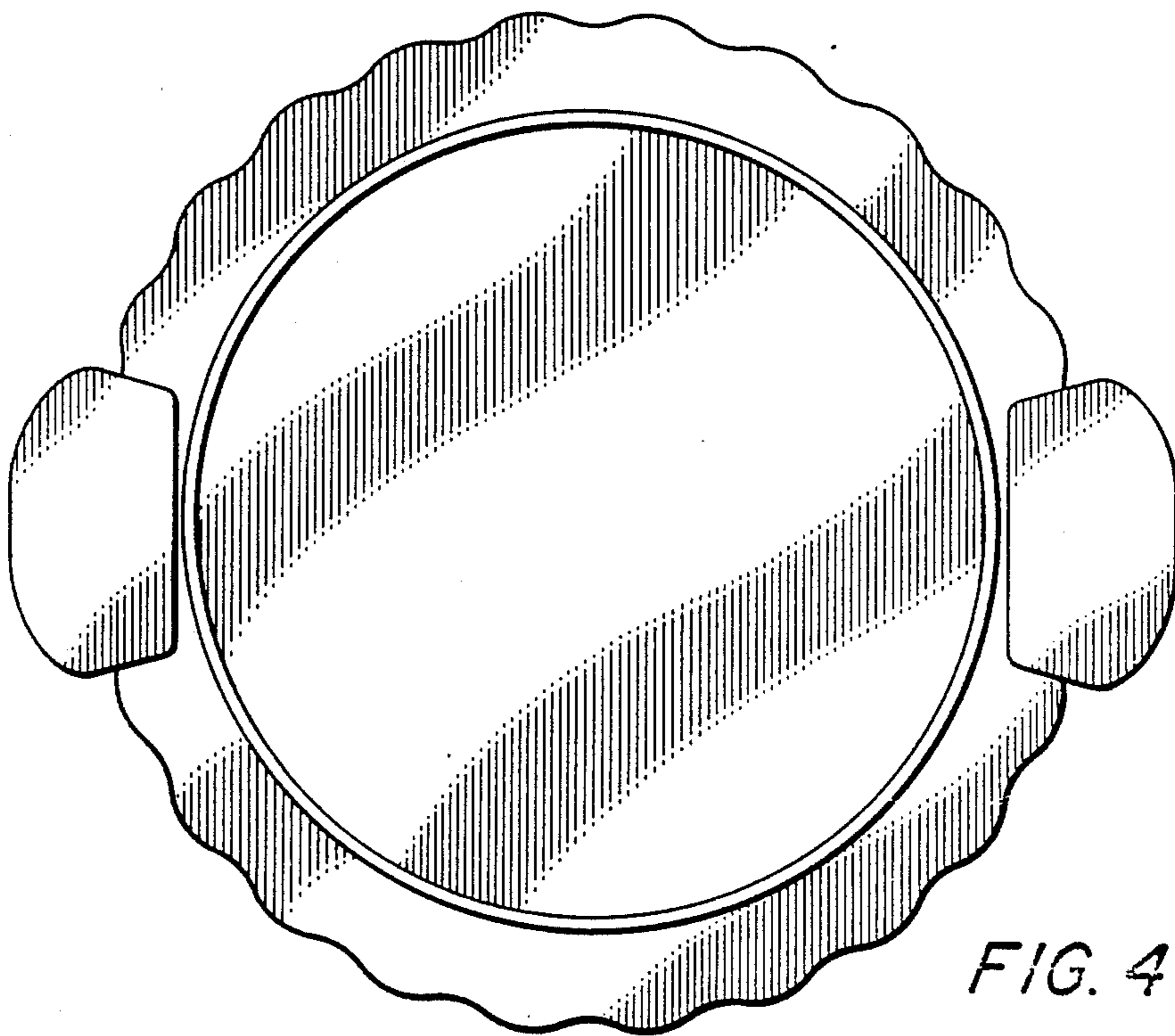


FIG. 4