

[54] **PALLET**

[75] **Inventor: Karl J. Back, Sigtuna, Sweden**

[73] **Assignee: Stretch Machinery AB, Sigtuna, Sweden**

[**] **Term: 14 Years**

[21] **Appl. No.: 139,056**

[22] **Filed: Dec. 29, 1987**

[30] **Foreign Application Priority Data**

Jul. 1, 1987 [SE] Sweden 87-1517

[52] **U.S. Cl. D34/38**

[58] **Field of Search D34/38; 108/51.1, 52.1, 108/53.1, 53.3, 55.3, 56.1**

[56] **References Cited**

U.S. PATENT DOCUMENTS

4,283,890 8/1981 Takeda et al. 108/51.1
4,838,178 6/1989 Chriske et al. 108/51.1

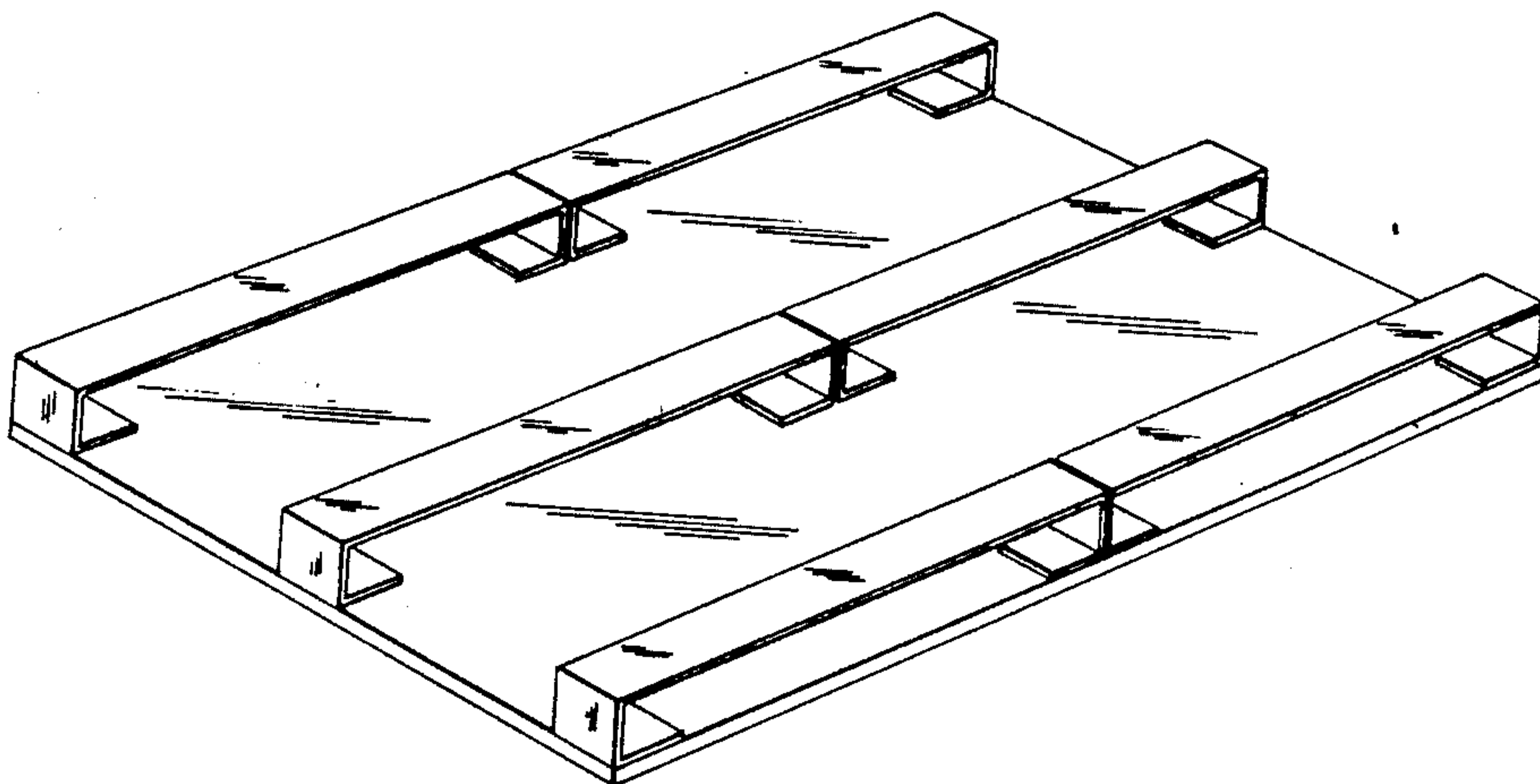
Primary Examiner—Wallace R. Burke
Assistant Examiner—Kay H. Chin
Attorney, Agent, or Firm—Hodgson, Russ, Andrews, Woods & Goodyear

[57] **CLAIM**

The ornamental design for a pallet, as shown.

DESCRIPTION

FIG. 1 is a bottom perspective view of a pallet showing my new design; and
FIG. 2 is a top perspective view thereof.



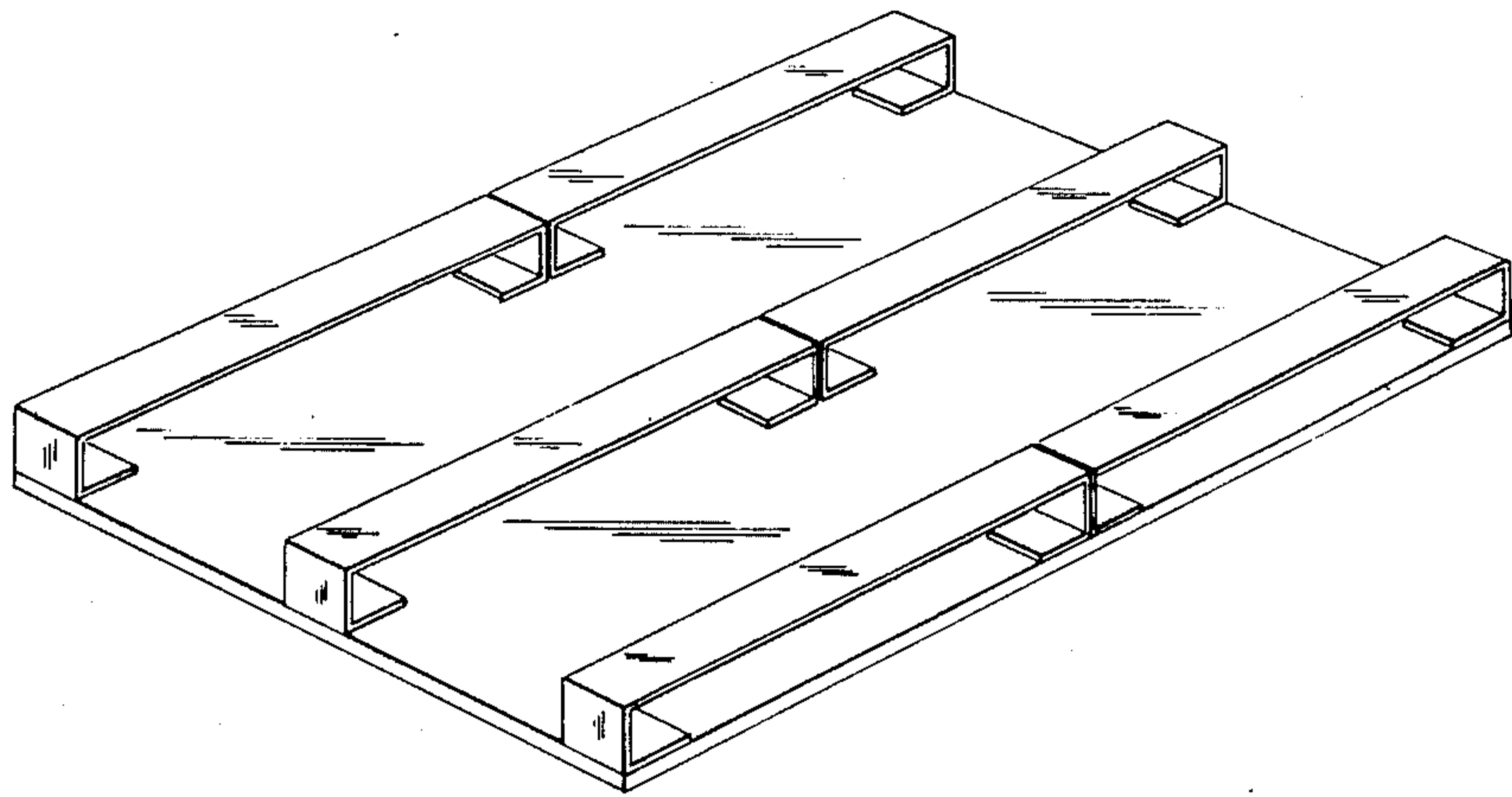


FIG. 1

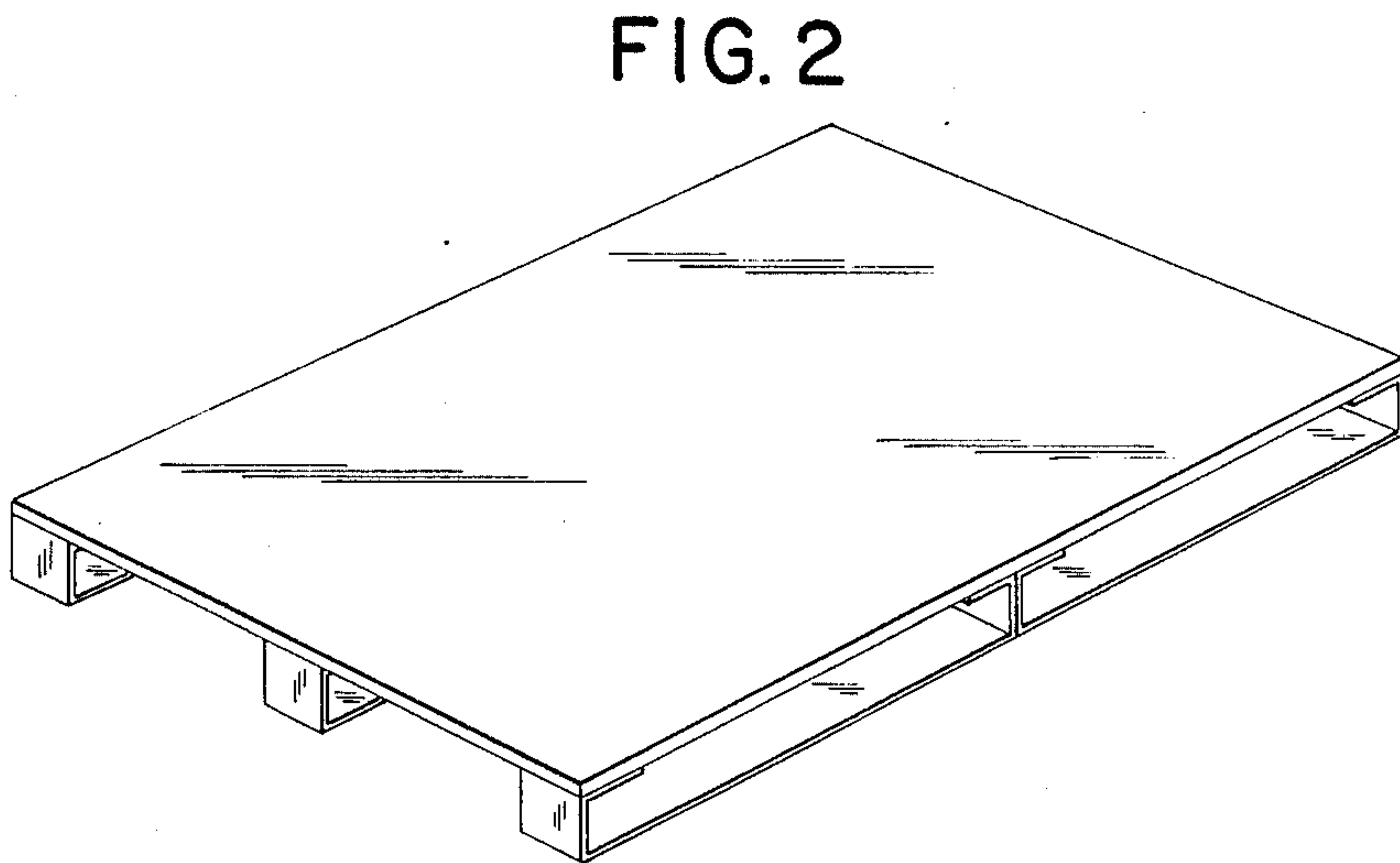


FIG. 2