

[54] DUAL CAPSTAN ELECTRIC PULLER

[75] Inventors: David L. Eley, Beloit, Wis.; Jeffrey J. Plummer, Rockford; George P. Gill, Loves Park, both of Ill.

[73] Assignee: Greenlee Textron Inc., Rockford, Ill.

[\*\*] Term: 14 Years

[21] Appl. No.: 22,324

[22] Filed: Mar. 5, 1987

[52] U.S. Cl. .... D34/33; D34/28

[58] Field of Search ..... D34/33, 34, 35, 28; 254/382, 374, 316, 362; D8/349, 354, 356

[56] References Cited

U.S. PATENT DOCUMENTS

1,306,803	6/1919	Crewson	254/374
1,670,734	5/1928	Moore	254/316
3,606,256	9/1971	Ovretveit	254/316

FOREIGN PATENT DOCUMENTS

136064	10/1979	Japan	254/362
2043578	10/1980	United Kingdom	254/382

Primary Examiner—Wallace R. Burke  
Assistant Examiner—Kay H. Chin  
Attorney, Agent, or Firm—R. A. Giangiorgi

[57] CLAIM

The ornamental design for a dual capstan electric puller, as shown and described.

DESCRIPTION

FIG. 1 is a top plan view of a dual capstan electric puller showing our new design; FIG. 2 is a front elevational view thereof; FIG. 3 is a rear elevational view thereof; FIG. 4 is a bottom plan view thereof, the control module has been omitted for convenience of illustration; FIG. 5 is a left side elevational view thereof; and FIG. 6 is a right side elevational view thereof.

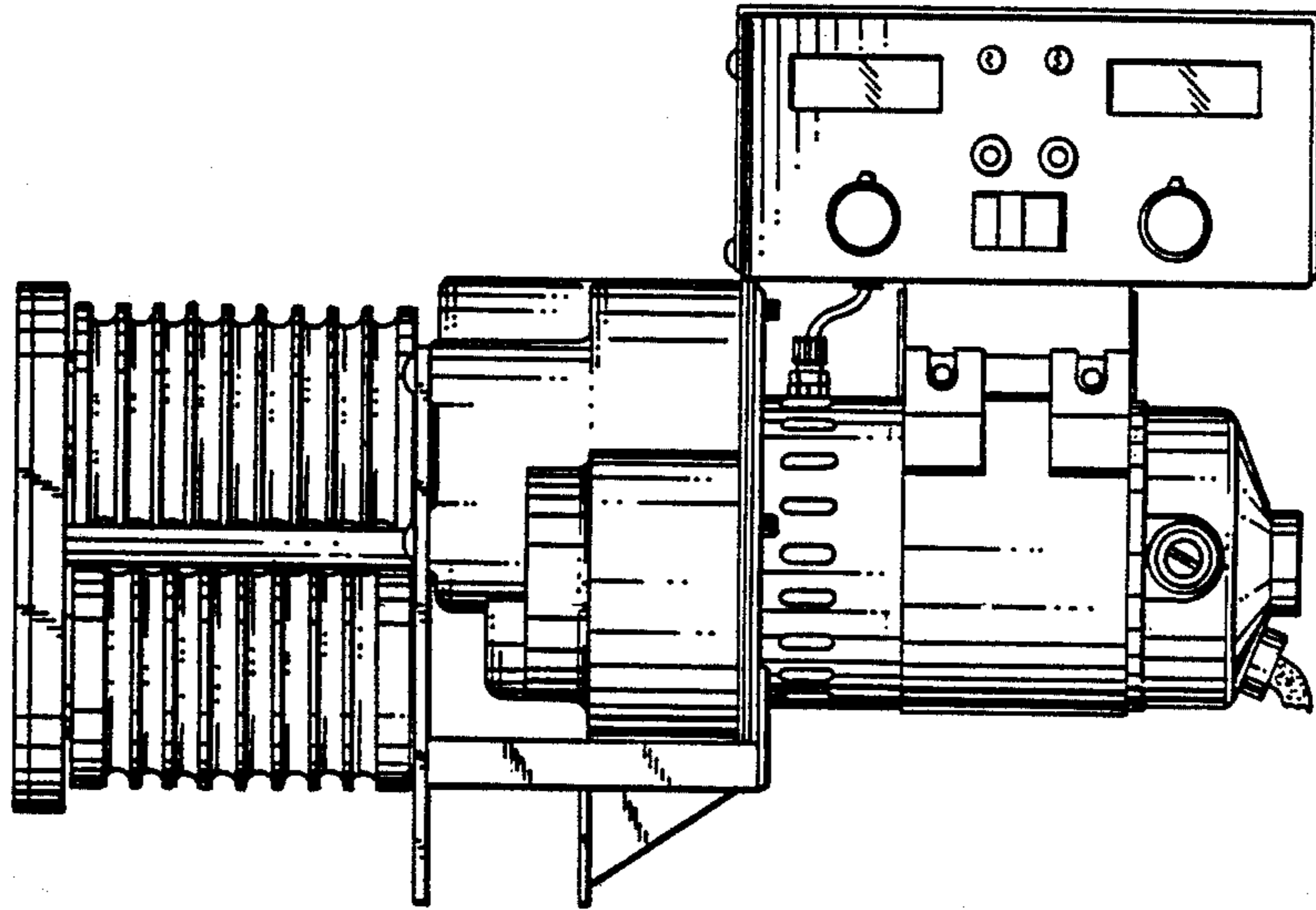


FIG. 1

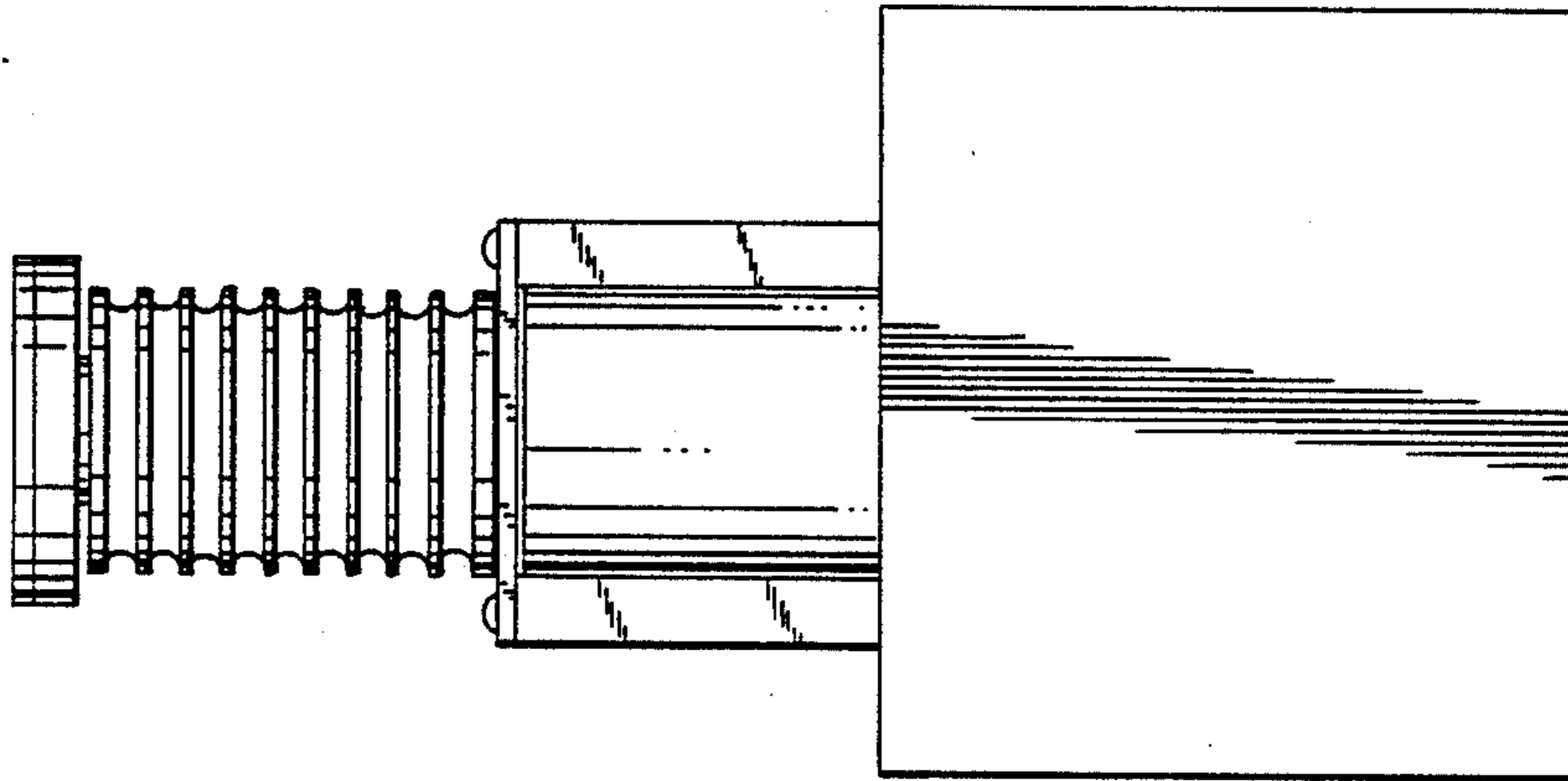


FIG. 2

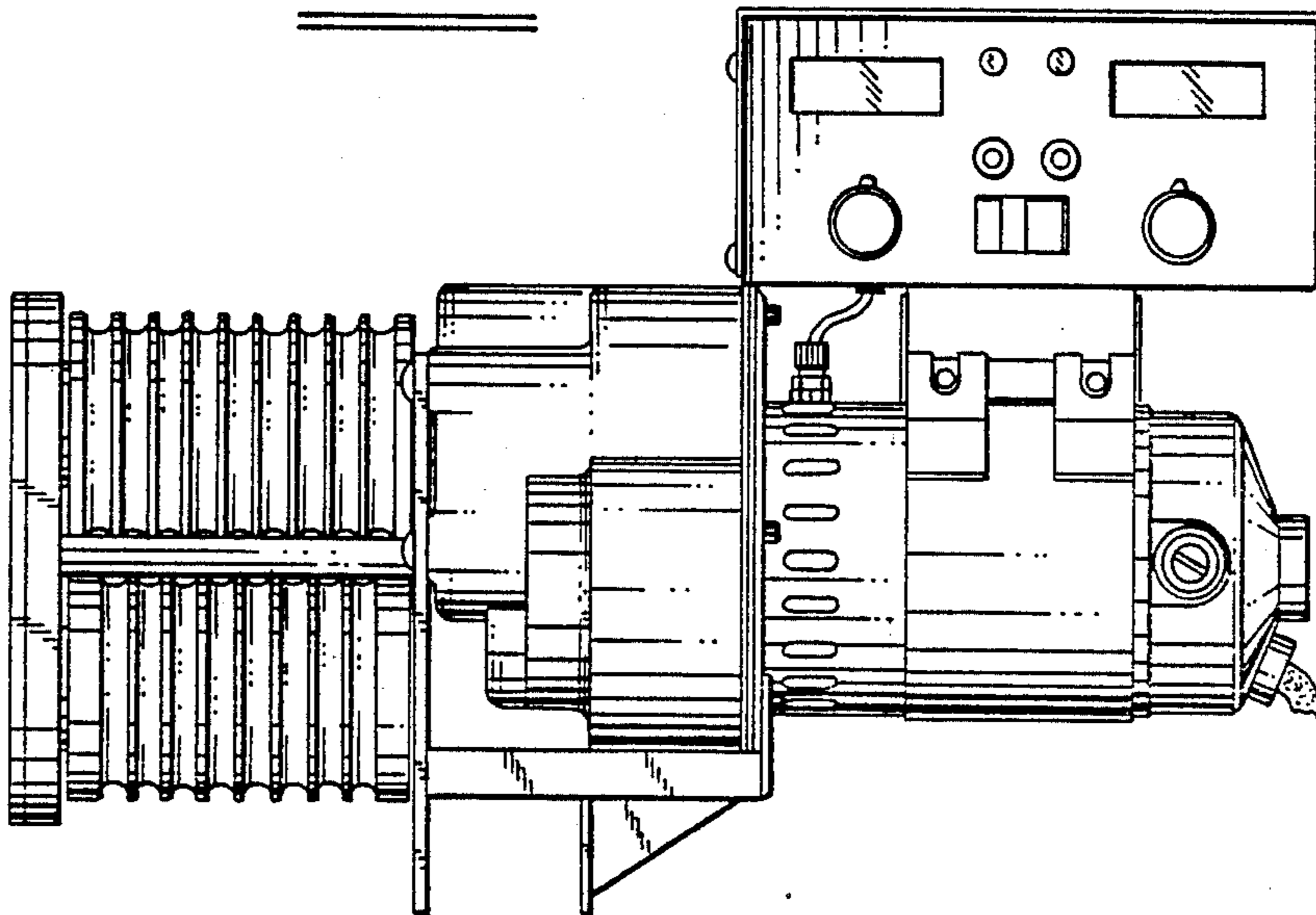


FIG. 3

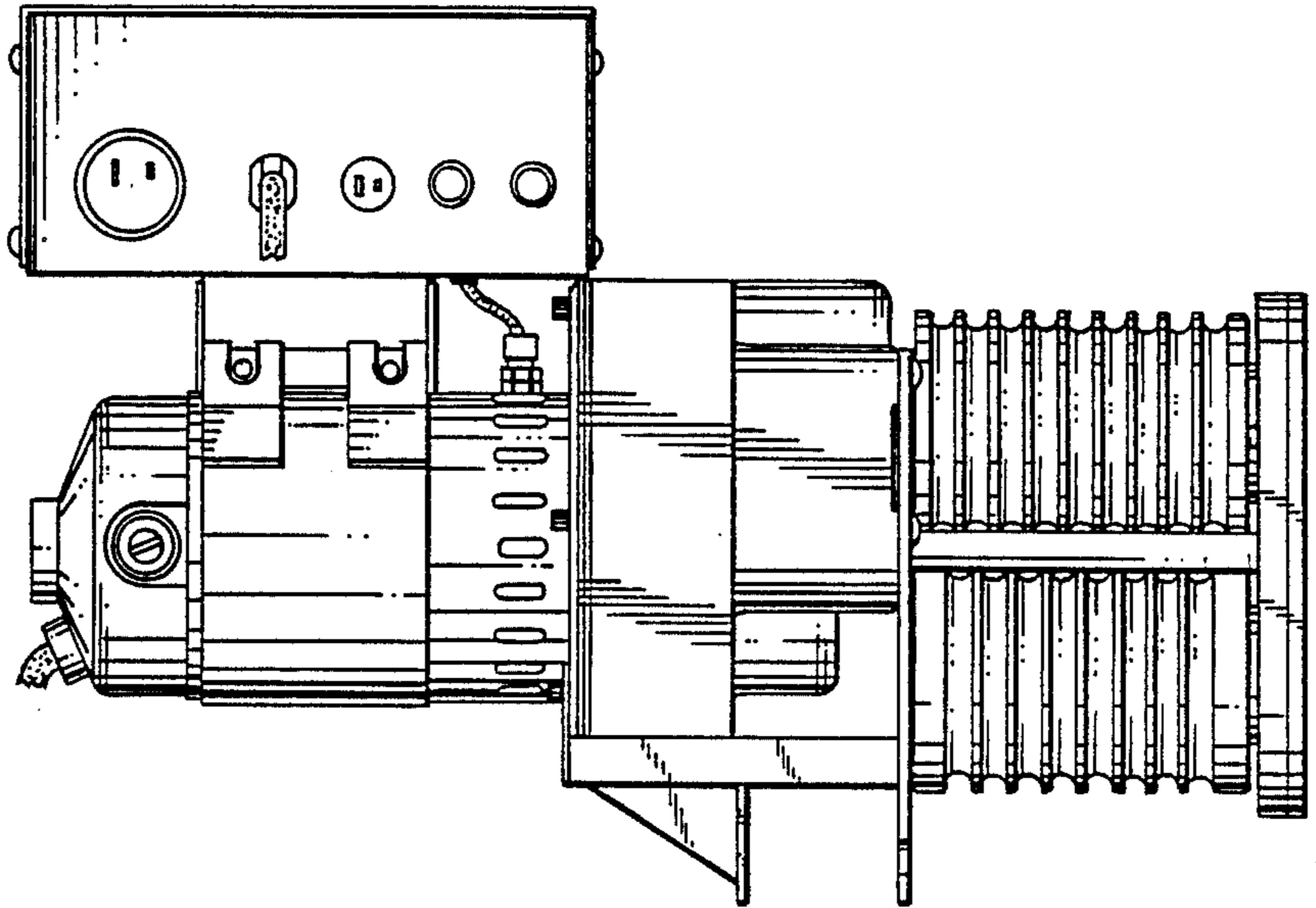
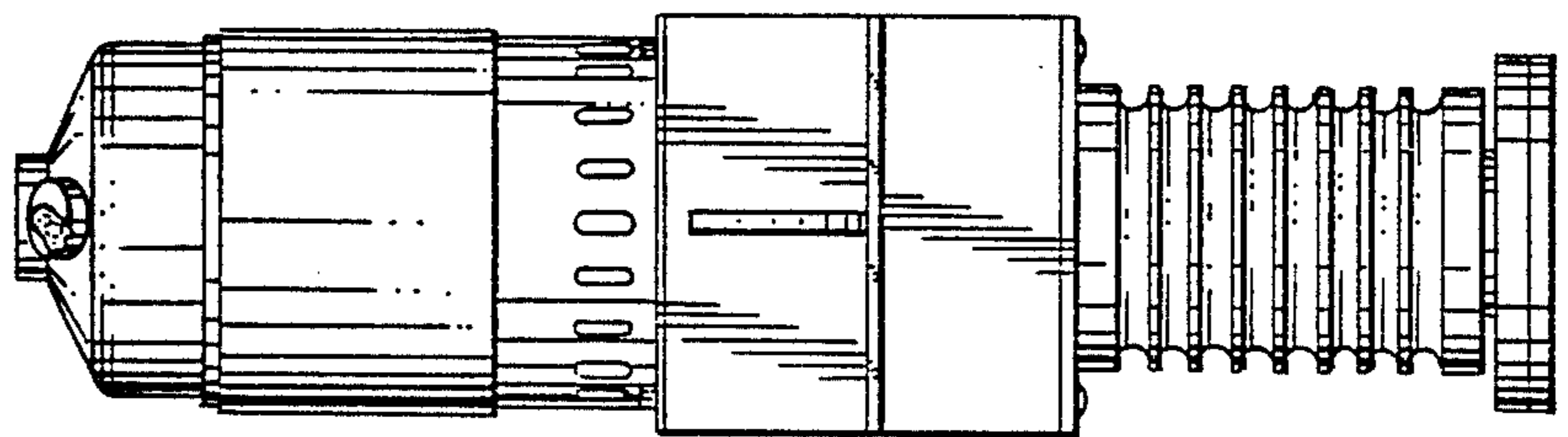


FIG. 4



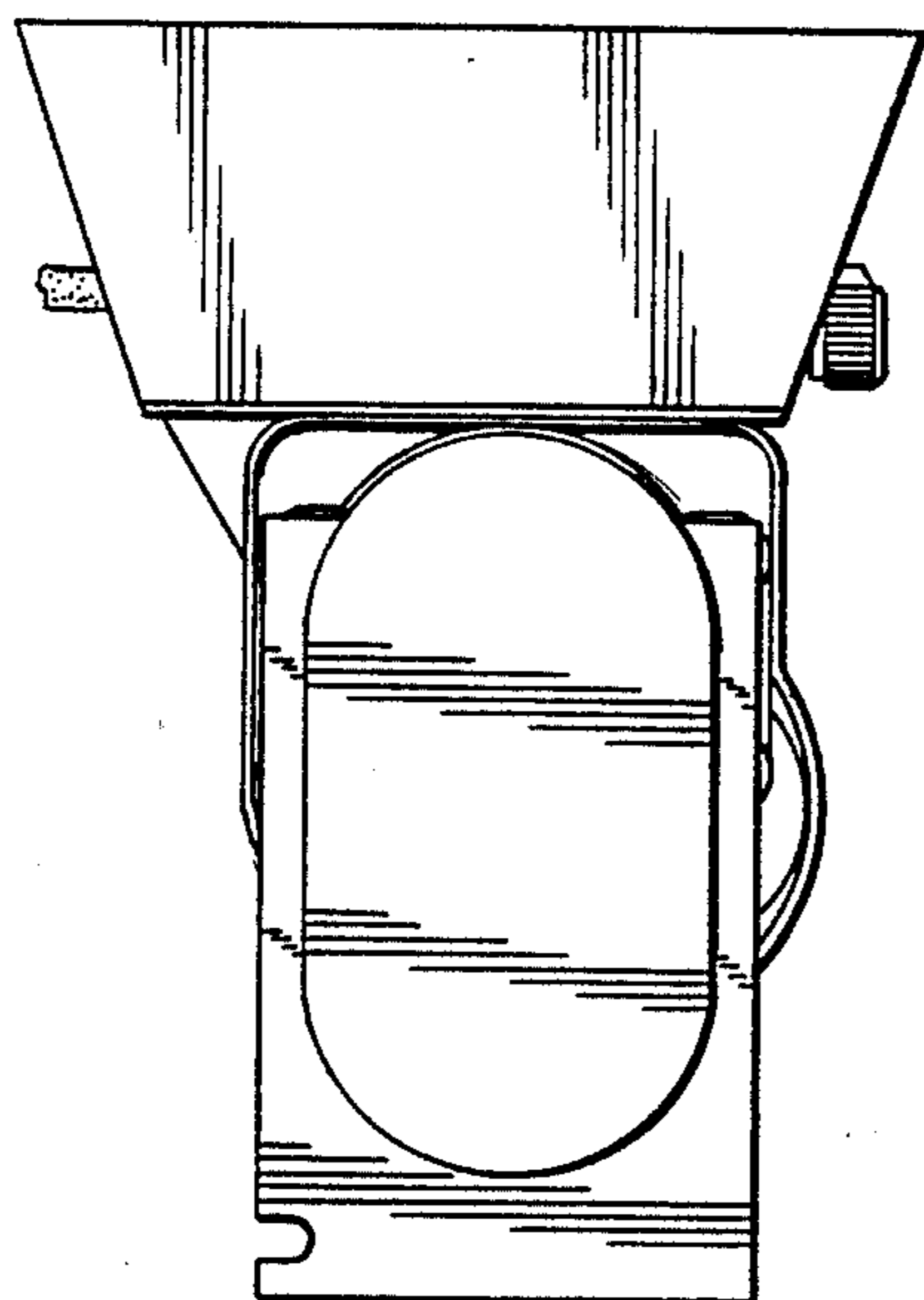


FIG. 5

FIG. 6

