

[54] SINK INSERT

[75] Inventors: Bruce M. Sauter, Kohler, Wis.; James G. Bruni, Glendale, Calif.

[73] Assignee: Kohler Co., Kohler, Wis.

[\*\*] Term: 14 Years

[21] Appl. No.: 44,457

[22] Filed: Apr. 30, 1987

[52] U.S. Cl. .... D32/55; D23/261

[58] Field of Search ..... D23/261-262, D23/284, 287-290, 294; D32/35, 55-56; 4/286-292; D7/27, 47

[56] References Cited

U.S. PATENT DOCUMENTS

D. 28,119	1/1898	Creque	.....	D23/289
D. 85,516	11/1931	Ebinger	.....	D23/290 X
D. 104,363	5/1937	Barth	.....	D7/27 X
D. 139,091	10/1944	Caestecker	.....	D32/55
D. 258,906	4/1981	Doman	.....	D23/292
D. 292,609	11/1987	Kolada	.....	D23/294

OTHER PUBLICATIONS

Sink Manufacturing Alternative: Lexan Resin; J. Morelli, Aug. 1985 pp. 1-8. Nov. 1986, Pearl Bath Ad for "The Ultimate".

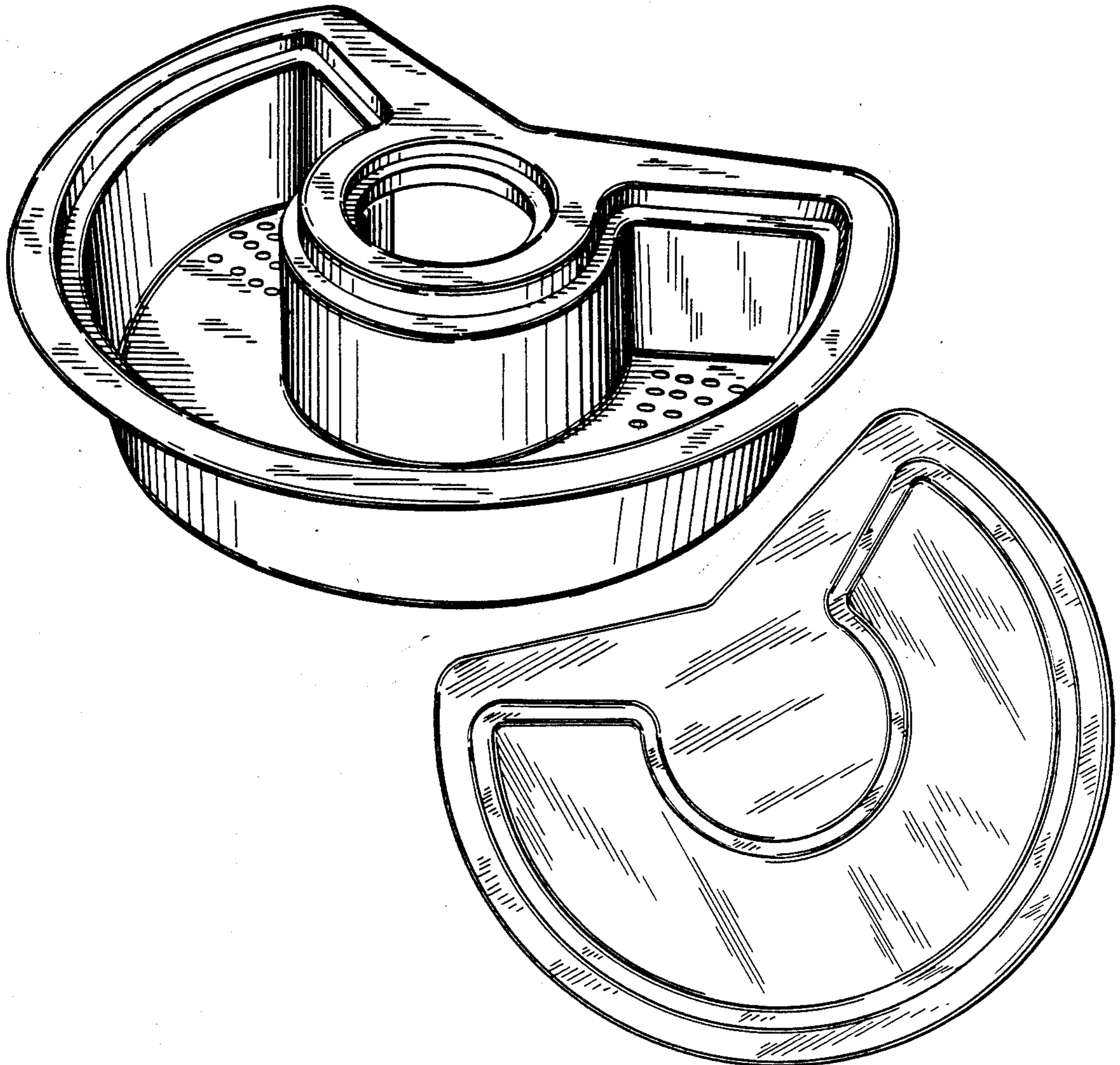
Primary Examiner—Wallace R. Burke  
Assistant Examiner—Lavone D. Tabor  
Attorney, Agent, or Firm—Quarles & Brady

[57] CLAIM

The ornamental design for a sink insert, as shown and described.

DESCRIPTION

FIG. 1 is a top perspective view of a sink insert showing our new design;  
FIG. 2 is a top plan view thereof;  
FIG. 3 is a front elevational view thereof;  
FIG. 4 is a left side elevational view thereof, the right side elevational view being the mirror image thereof;  
FIG. 5 is a rear elevational view thereof;  
FIG. 6 is a bottom plan view thereof;  
FIG. 7 is a cross-sectional view taken on line 7-7 of FIG. 2; and  
FIG. 8 is a top plan view of an alternative embodiment thereof.



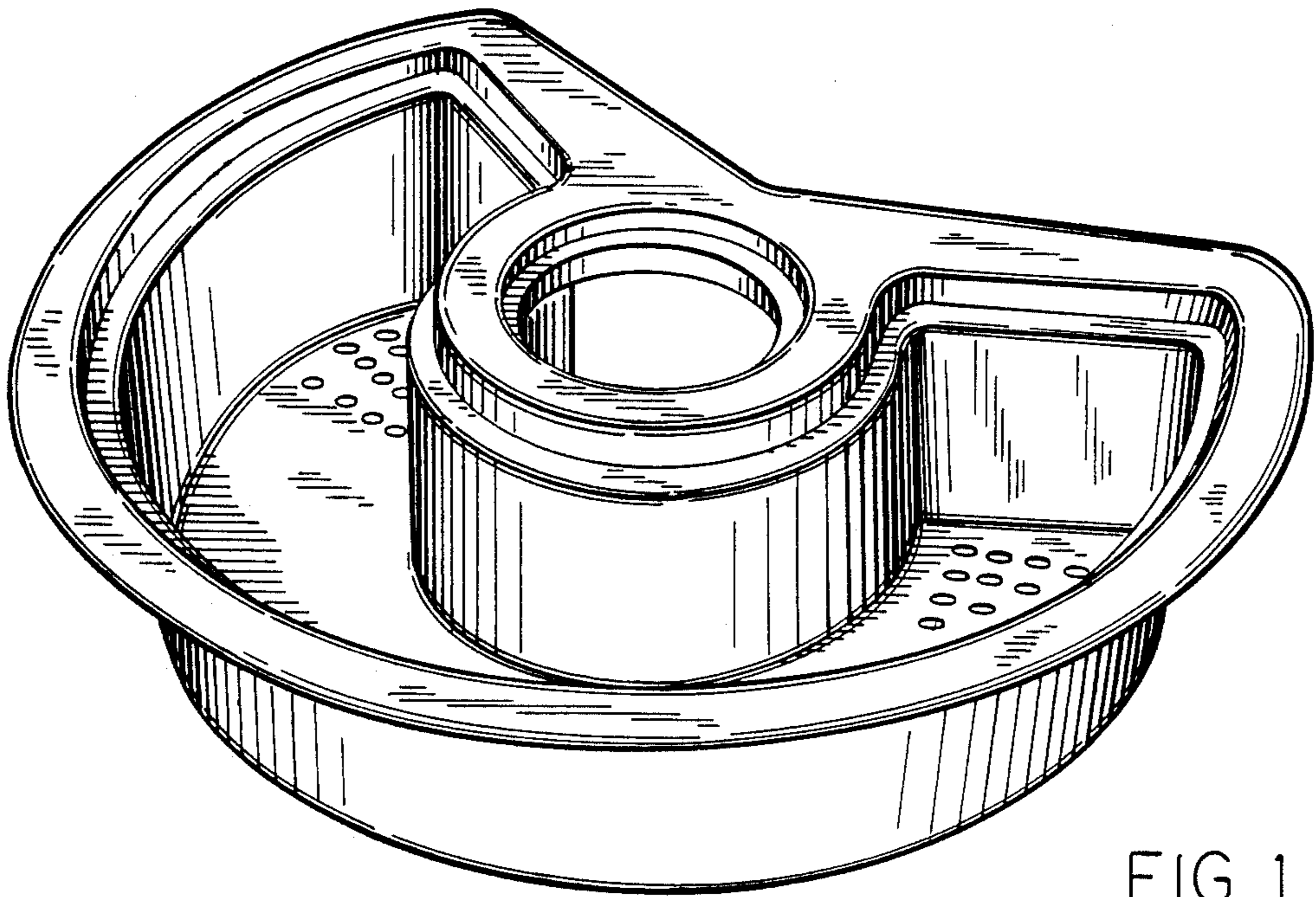


FIG. 1

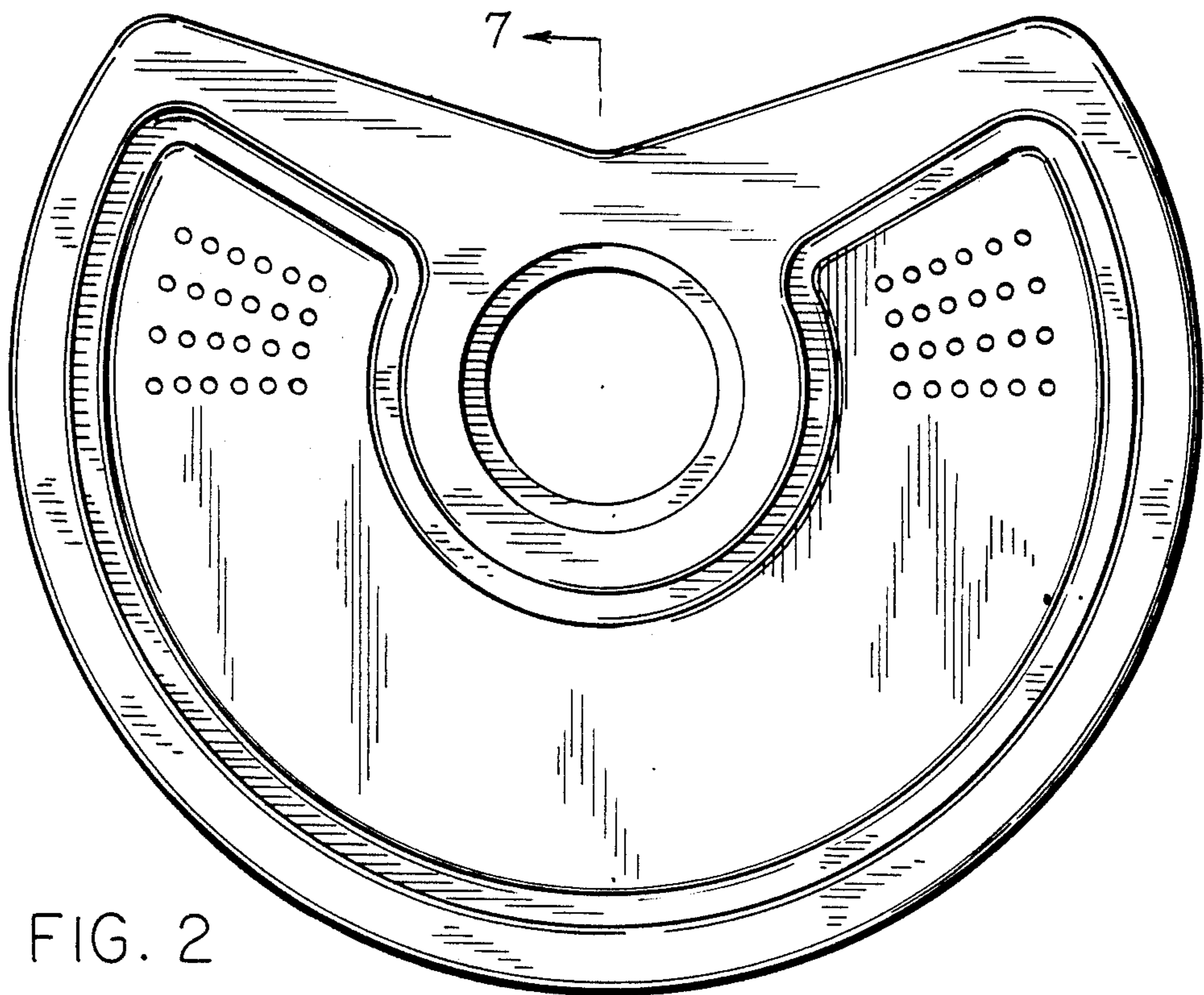
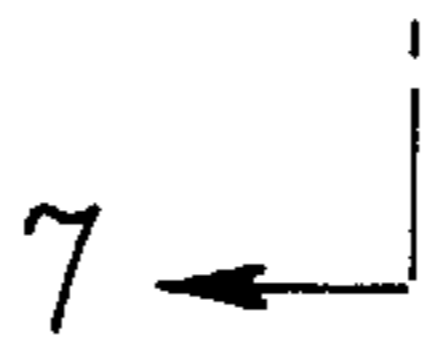


FIG. 2



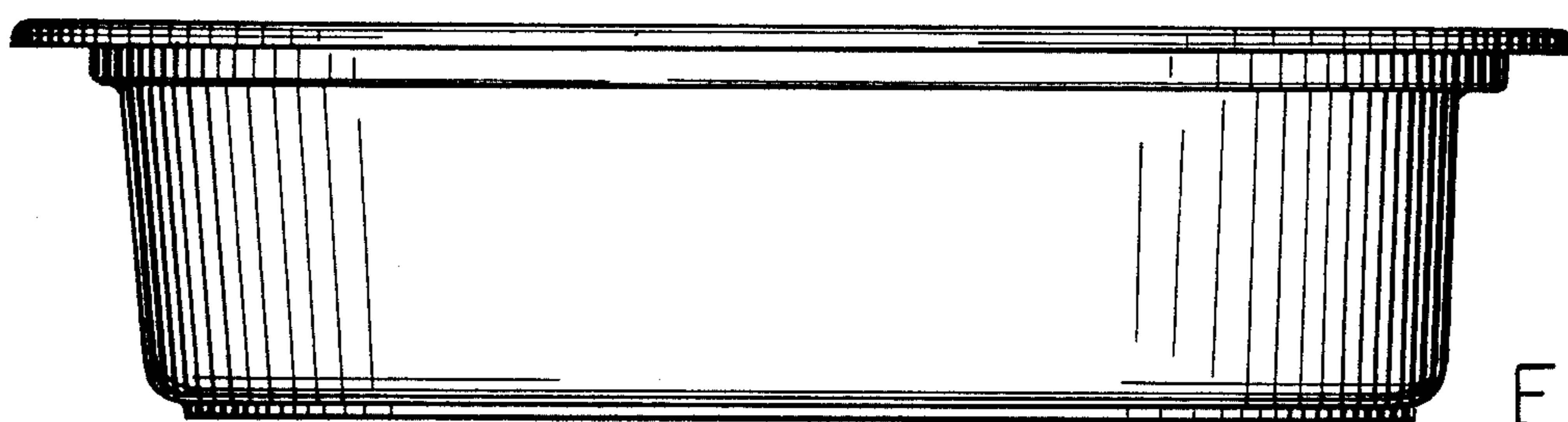


FIG. 3

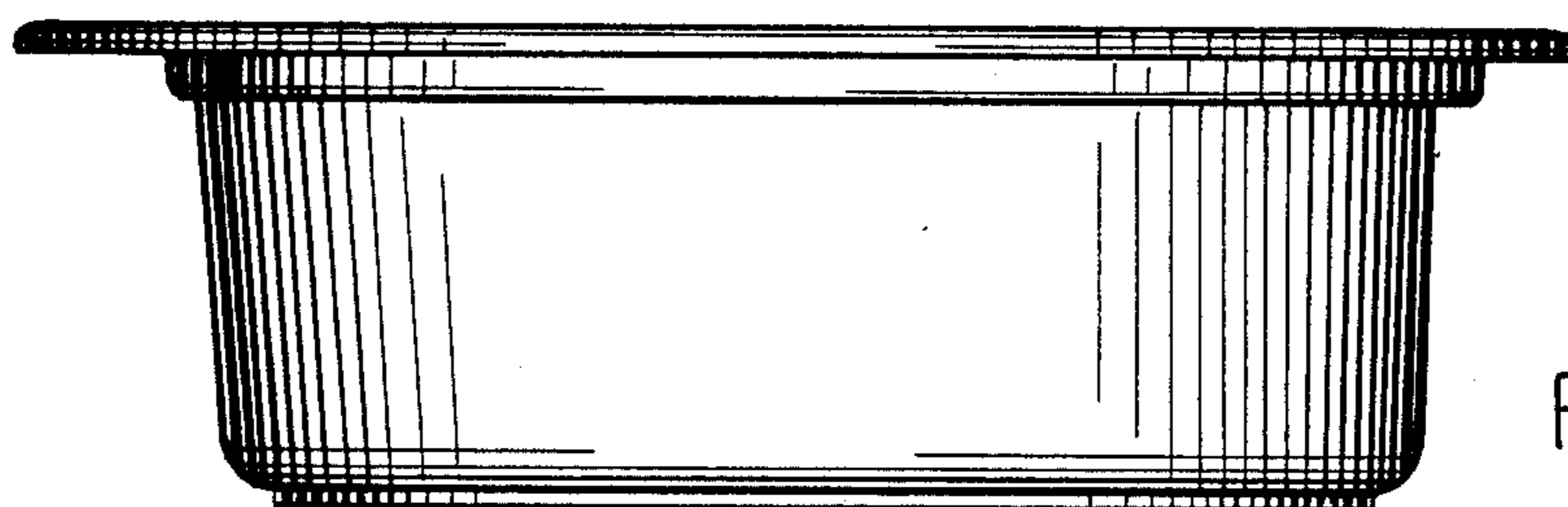


FIG. 4

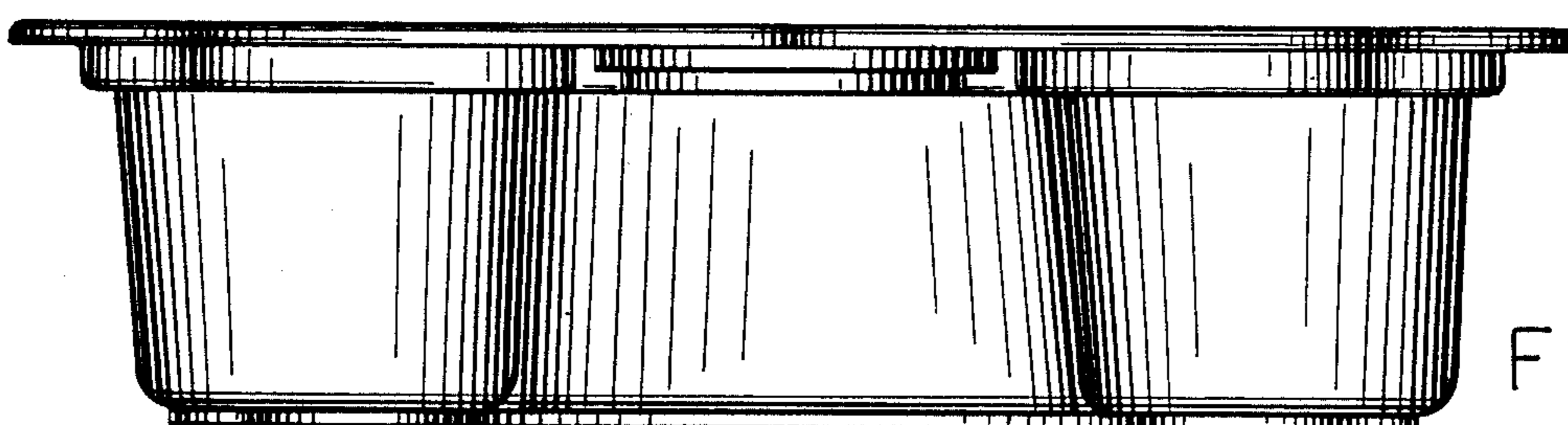


FIG. 5

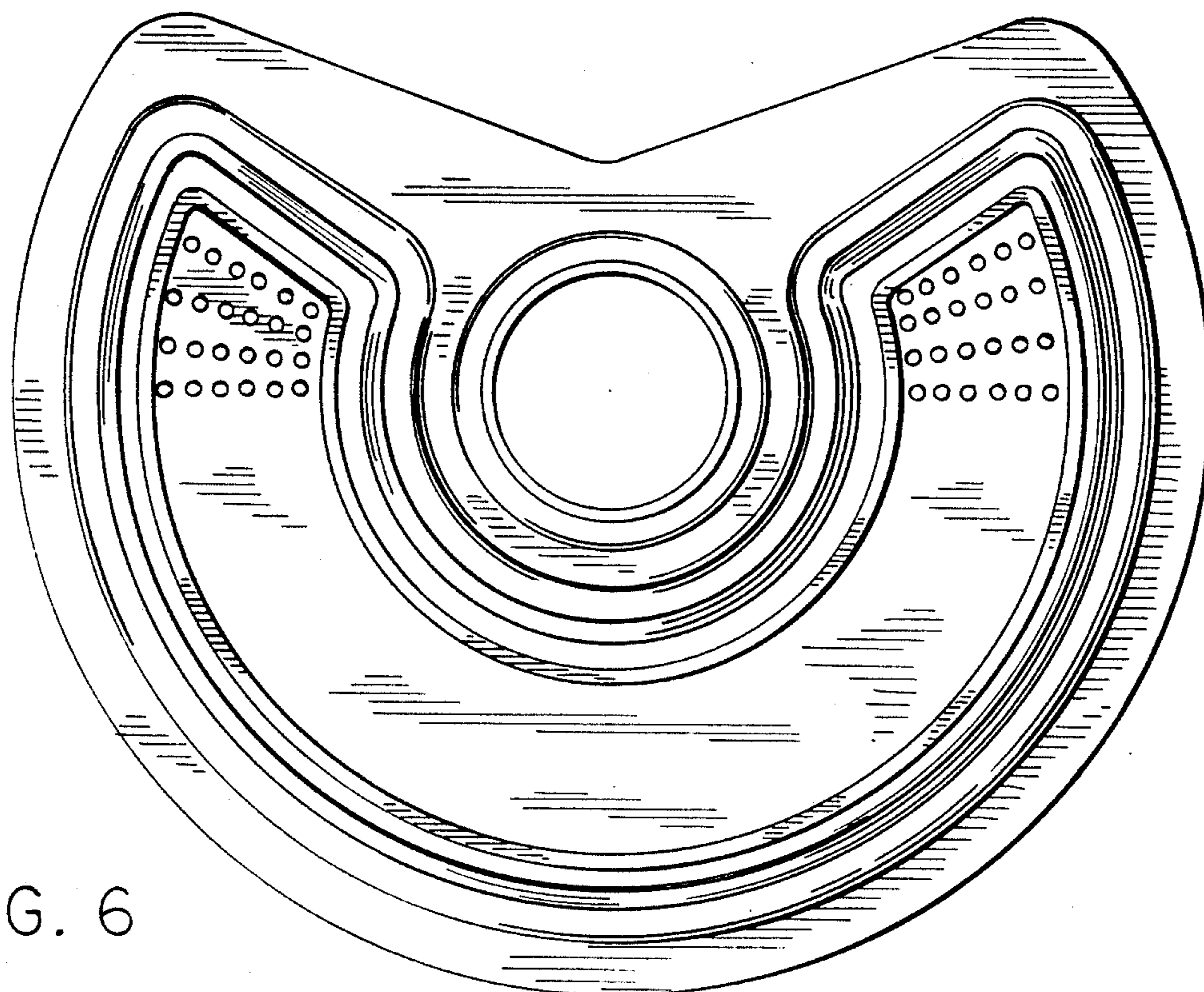


FIG. 6

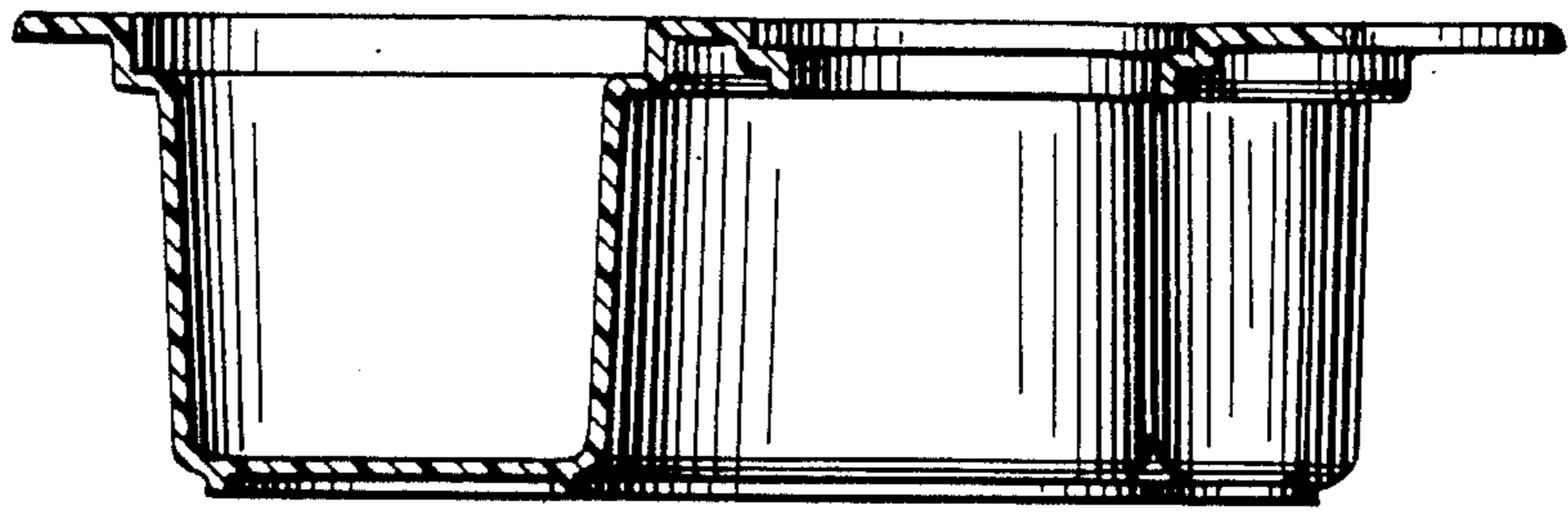


FIG. 7

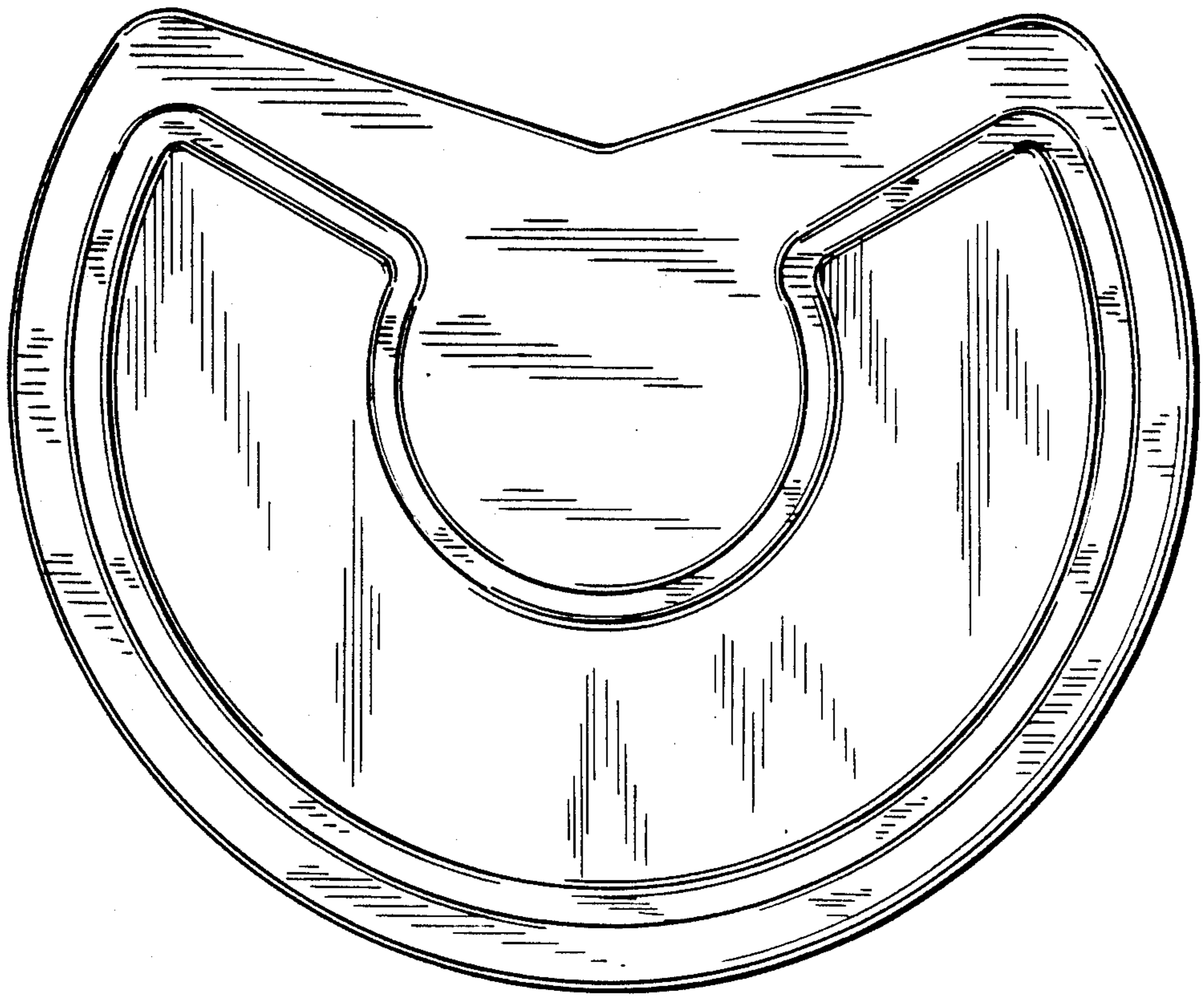


FIG. 8