

[54] **CONTROL PANEL FOR STREET SWEEPER**

[75] **Inventors: Mario J. Martinez, Elgin; Roger B. Parsons, Barrington, both of Ill.; William A. Lee, Battle Creek, Mich.**

[73] **Assignee: Elgin Sweeper Company, Elgin, Ill.**

[\*\*] **Term: 14 Years**

[21] **Appl. No.: 90,772**

[22] **Filed: Aug. 28, 1987**

[52] **U.S. Cl. .... D32/28; D12/192**

[58] **Field of Search .... D32/15, 16, 25, 28; D13/12, 35, 41; D12/174, 192; 180/322-324, 326, 333-336; 15/340.1-340.4, 78, 79 A, 79 R, 49 R, 405**

[56] **References Cited**

**U.S. PATENT DOCUMENTS**

- D. 228,127 8/1973 Fernandez et al. .... D12/192
- D. 264,826 6/1982 Conforti et al. .... D13/12
- D. 273,488 4/1984 Rosenbaum et al. .... D13/12
- D. 273,581 4/1984 Rosenbaum et al. .... D13/12
- D. 280,893 10/1985 Veda ..... D13/12

*Primary Examiner*—A. Hugo Word  
*Assistant Examiner*—Ruth McInroy  
*Attorney, Agent, or Firm*—Leydig, Voit & Mayer

[57] **CLAIM**

The ornamental design for a control panel for a street sweeper, as shown and described.

**DESCRIPTION**

FIG. 1 is a side elevational view of a control panel for a street sweeper showing our new design; FIG. 2 is a top plan view thereof; FIG. 3 is a front elevational view thereof; and FIG. 4 is a front perspective view thereof.

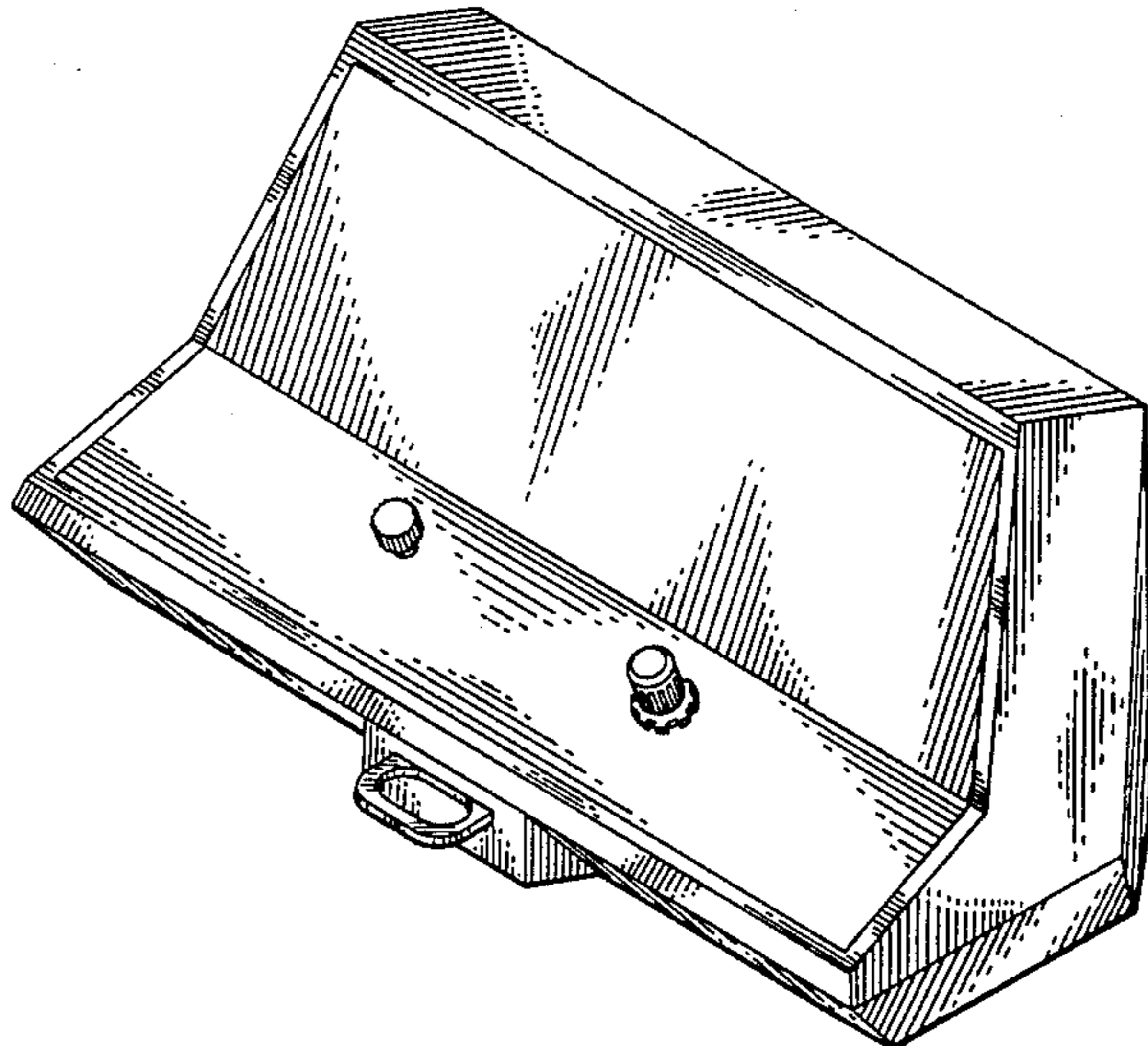
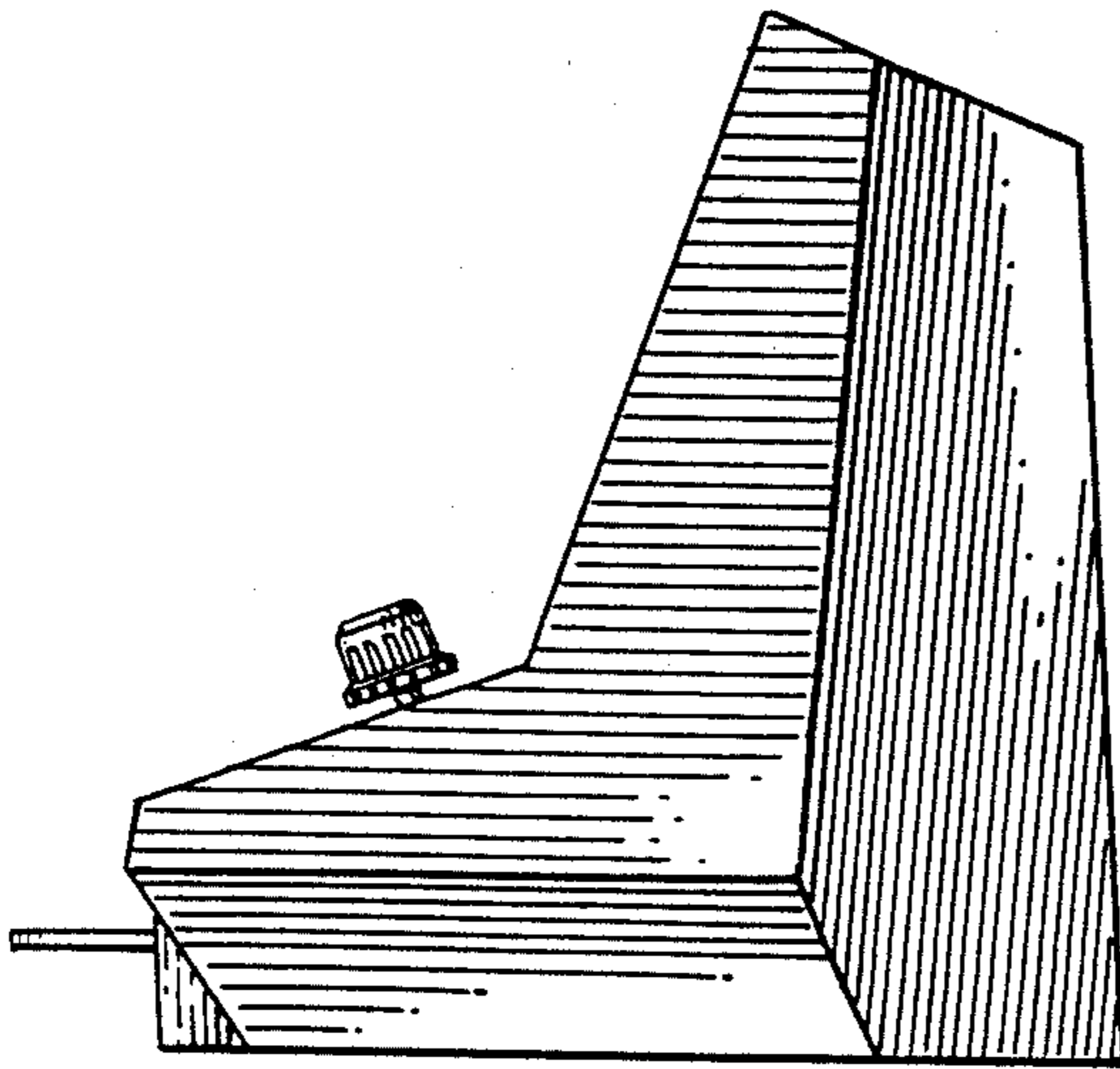


FIG. 1

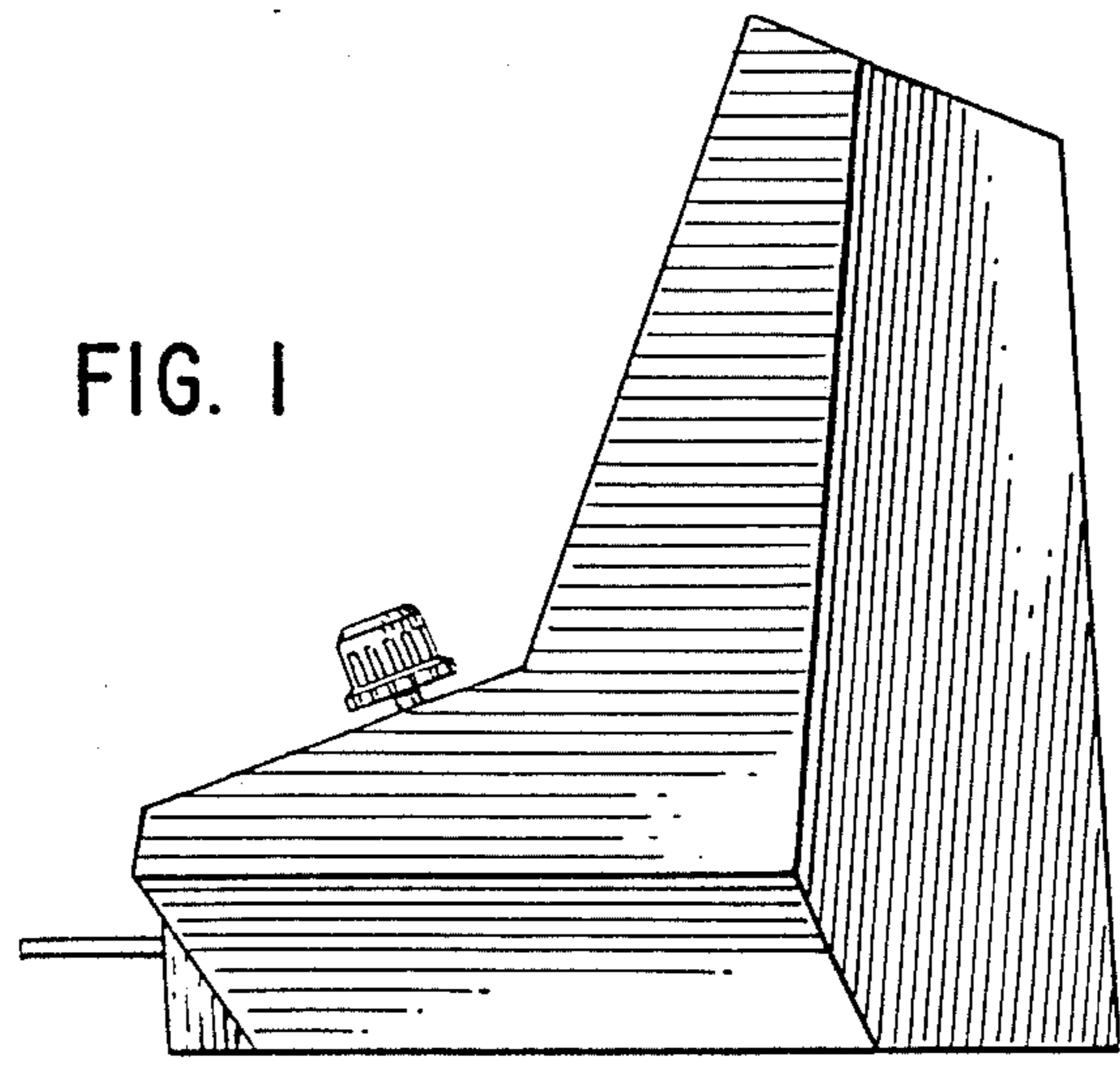


FIG. 2

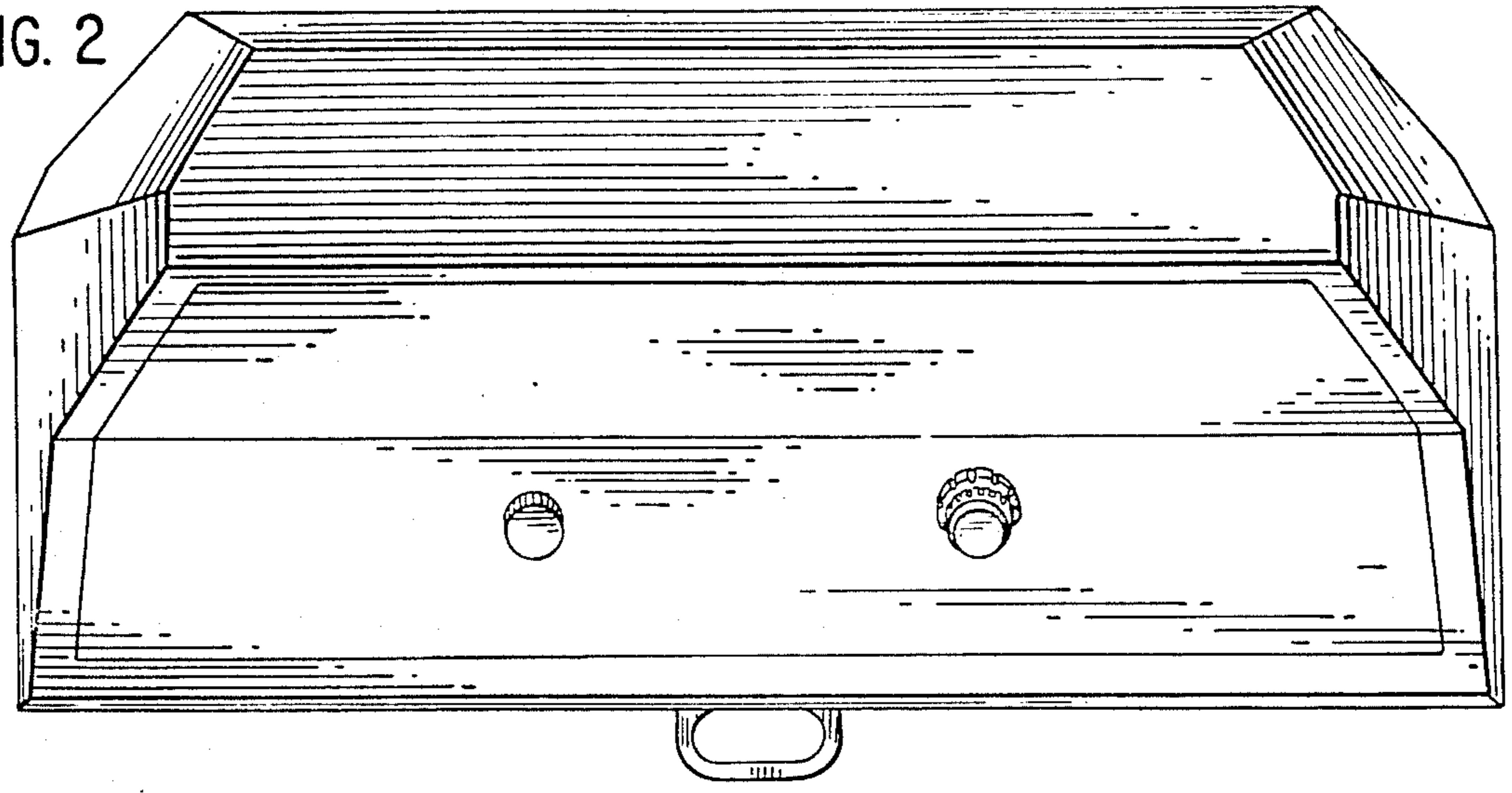
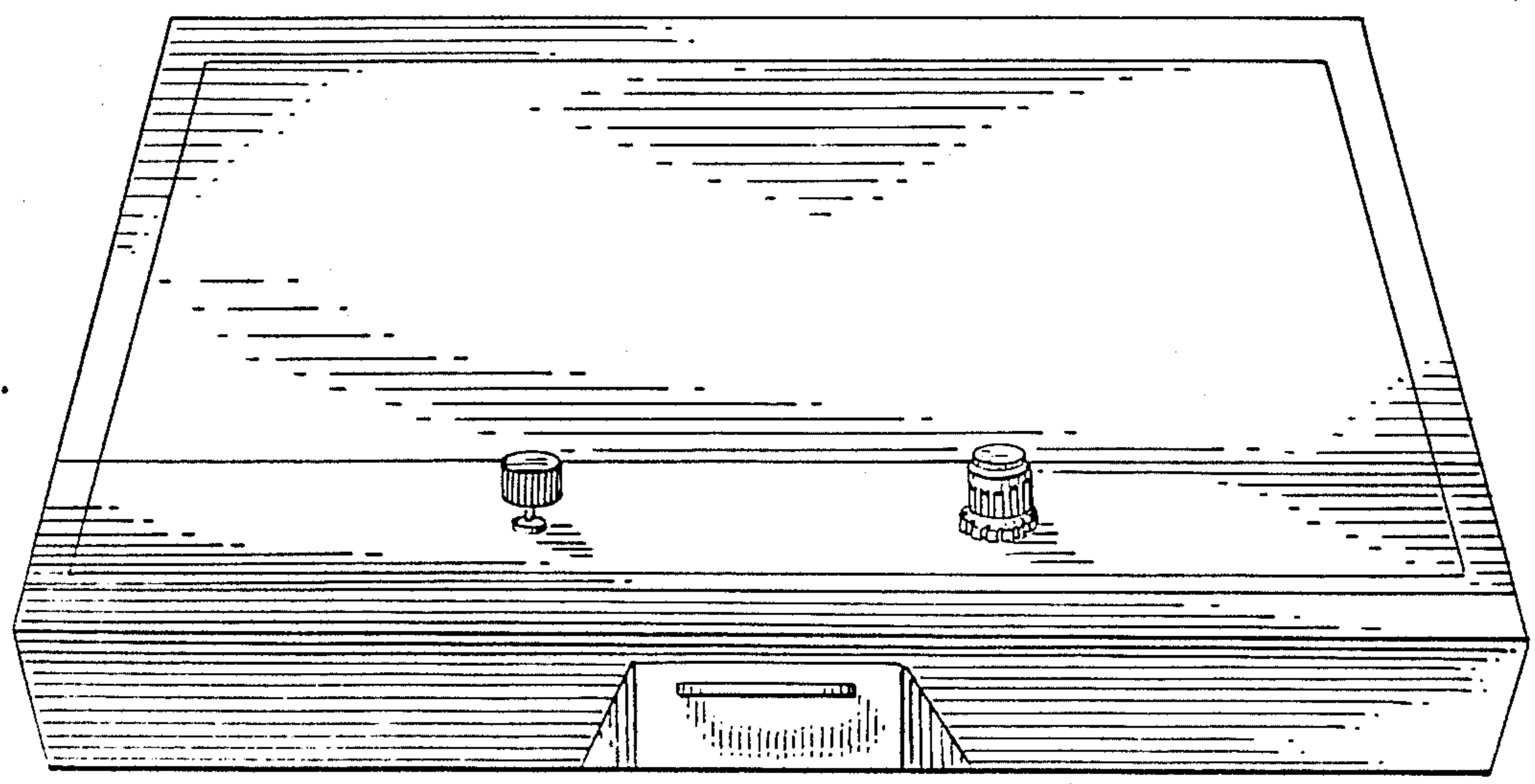


FIG. 3



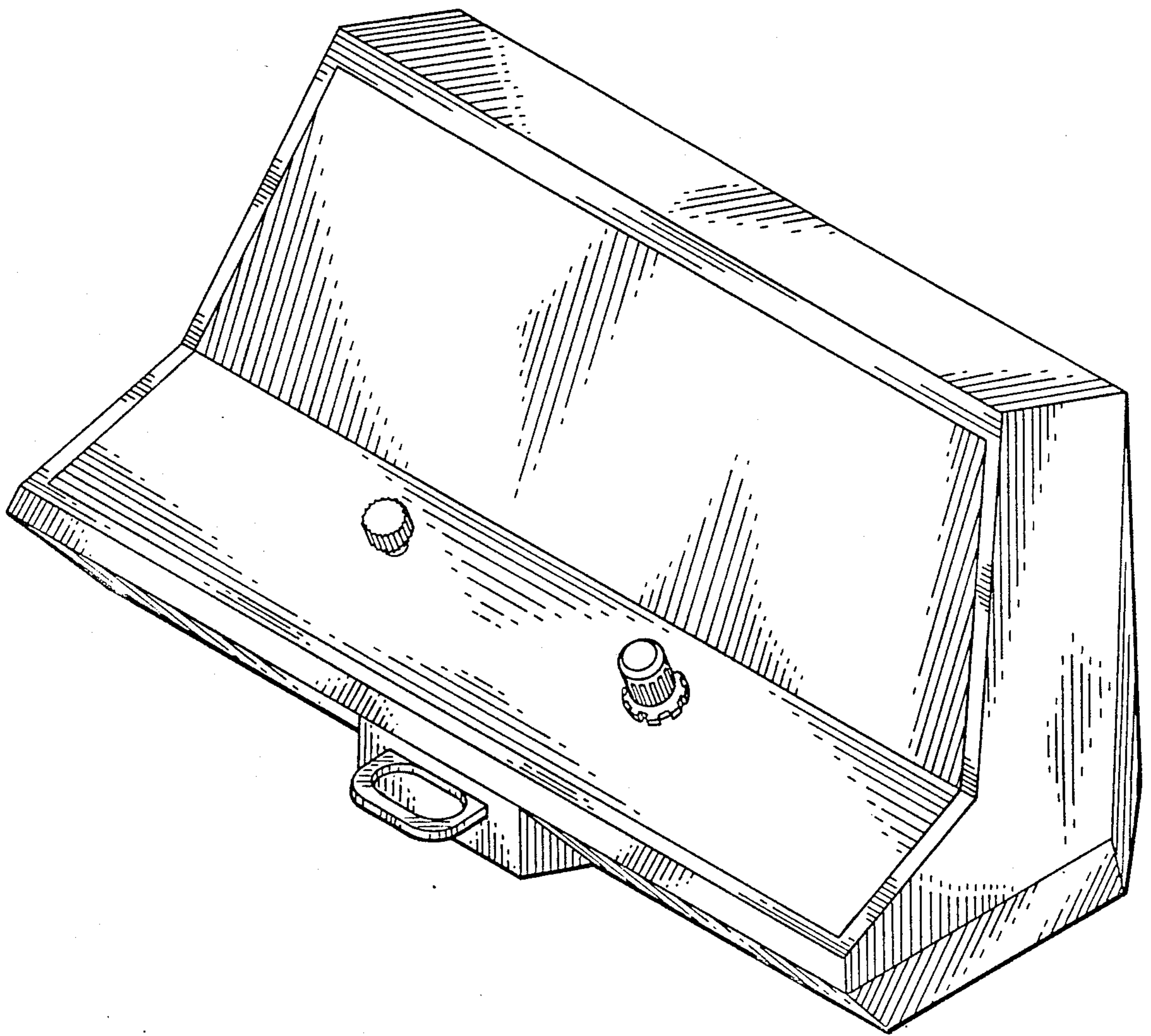


FIG. 4