

[54] **DESOLDERING TOOL OR THE LIKE**

[76] **Inventor:** William S. Fortune, 29866 Cuthbert Rd., Malibu, Calif. 90265

[**] **Term:** 14 Years

[21] **Appl. No.:** 899,396

[22] **Filed:** Aug. 22, 1986

Related U.S. Application Data

[63] Continuation-in-part of Ser. No. 627,067, Jul. 2, 1984, Pat. No. 4,765,229.

[52] **U.S. Cl.** D32/17; D8/30

[58] **Field of Search** D32/17-18, D32/1; 228/19, 20; 173/116, 121; 92/128, 130 C, 133; D8/30, 51

[56] **References Cited**

U.S. PATENT DOCUMENTS

D. 230,816	3/1974	Fortune	D8/30
D. 237,139	10/1975	Fortune	D8/30
D. 290,776	7/1987	Wallin	D32/17
3,818,539	6/1974	Fortune	D8/51
3,912,149	10/1975	Fortune	228/20 HT

Primary Examiner—A. Hugo Word

Assistant Examiner—Ruth McInroy

Attorney, Agent, or Firm—Daniel T. Anderson

[57] **CLAIM**

The ornamental design for a desoldering tool or the like, as shown and described.

DESCRIPTION

FIG. 1 is a left side elevational view of a desoldering tool or the like showing my new design;

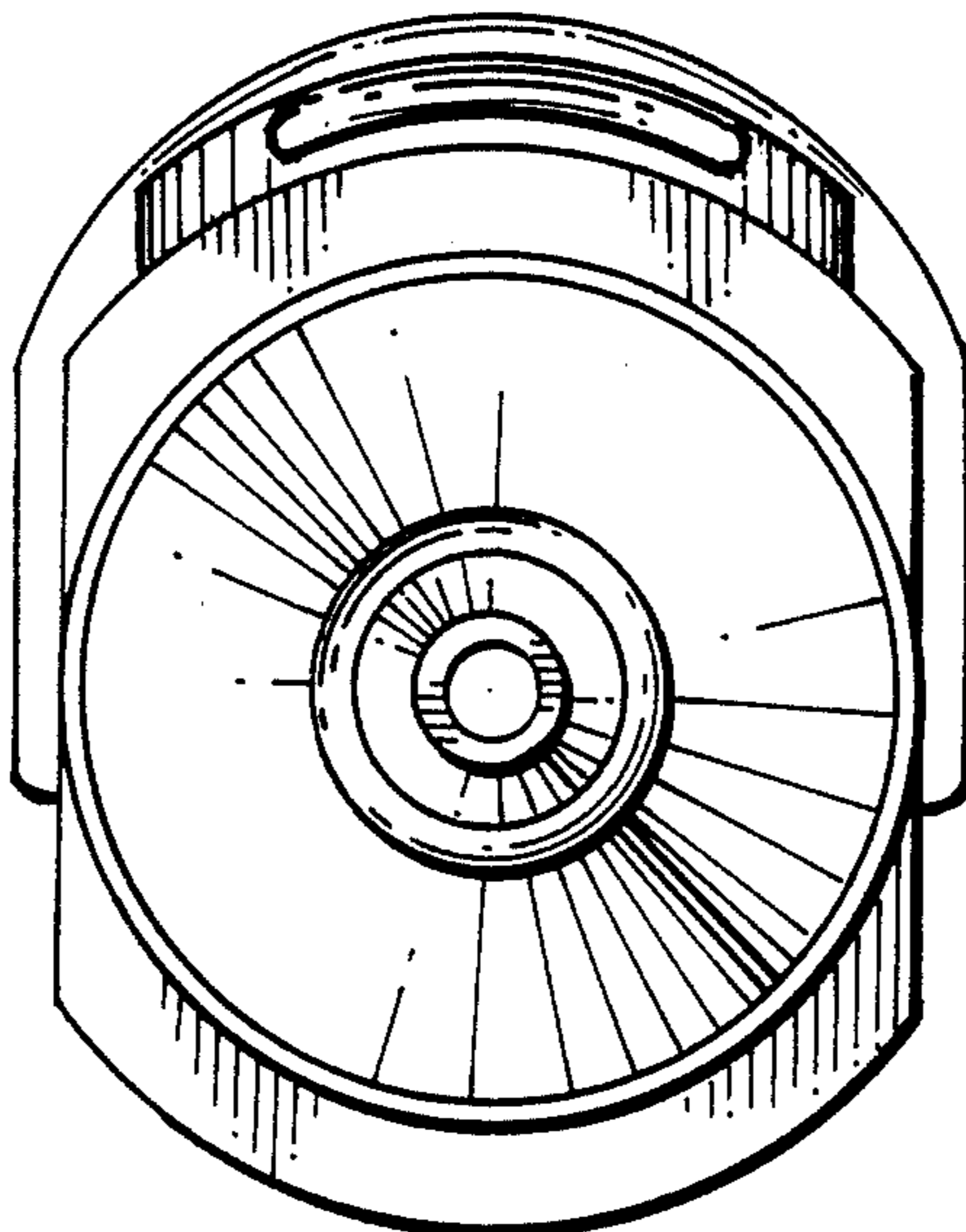
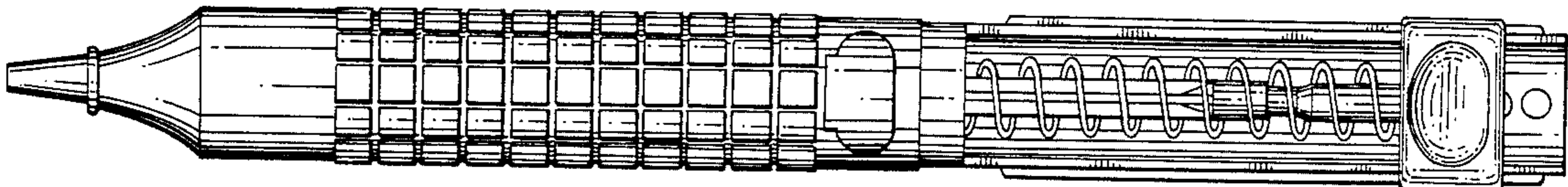
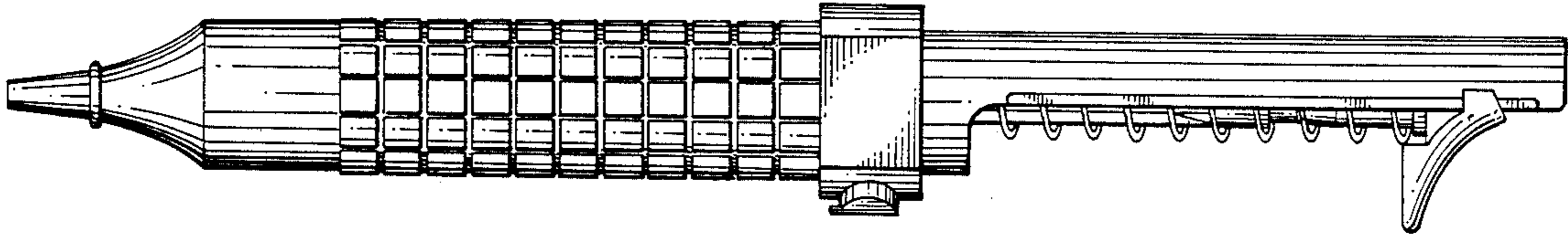
FIG. 2 is a right side elevational view thereof;

FIG. 3 is a top plan view thereof;

FIG. 4 is a bottom plan view thereof;

FIG. 5 is a front elevational view thereof; and

FIG. 6 is a rear elevational view thereof.



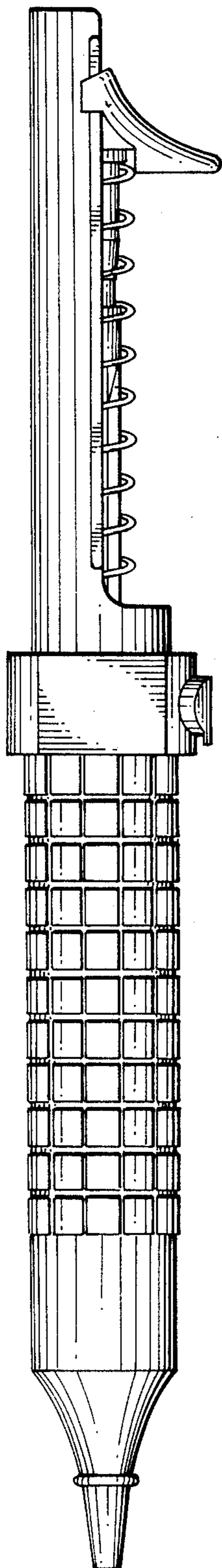


Fig. 1

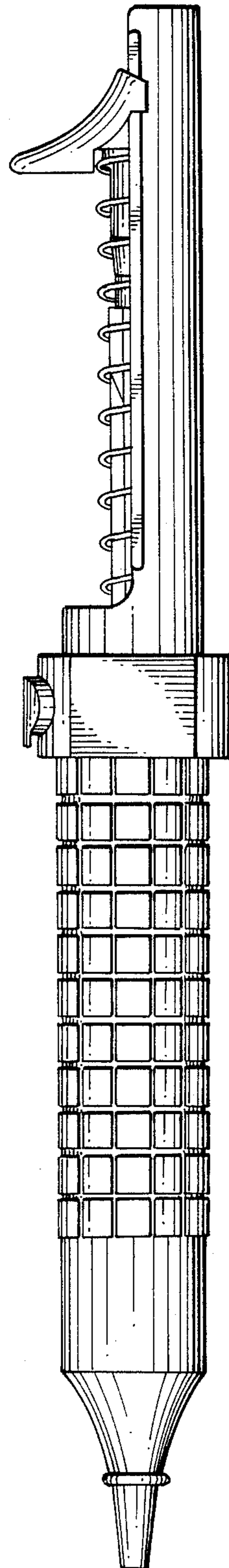


Fig. 2

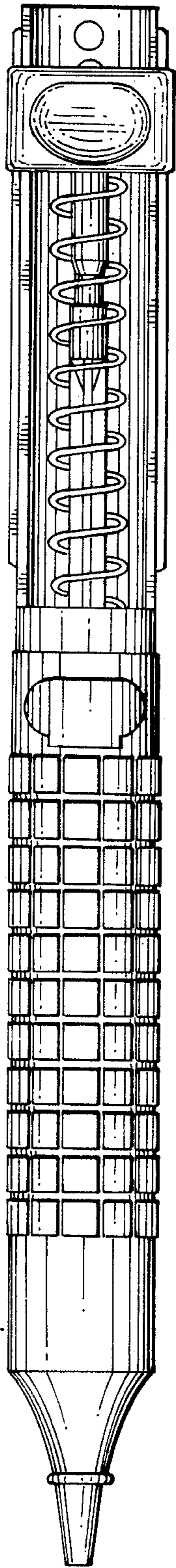


Fig. 3

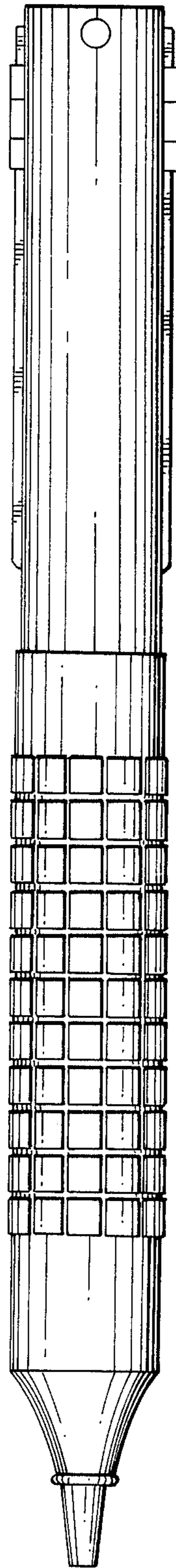


Fig. 4

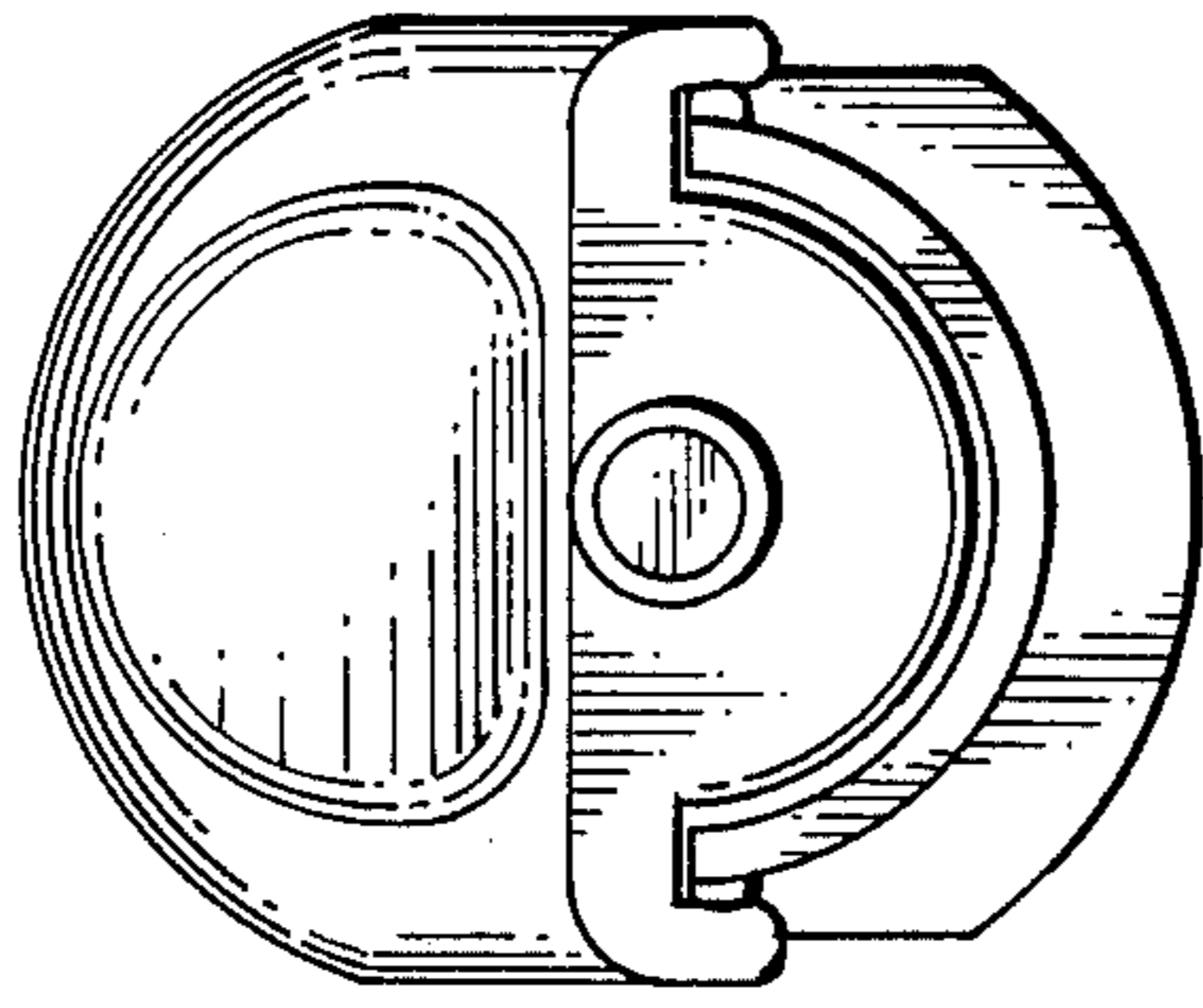


Fig. 6

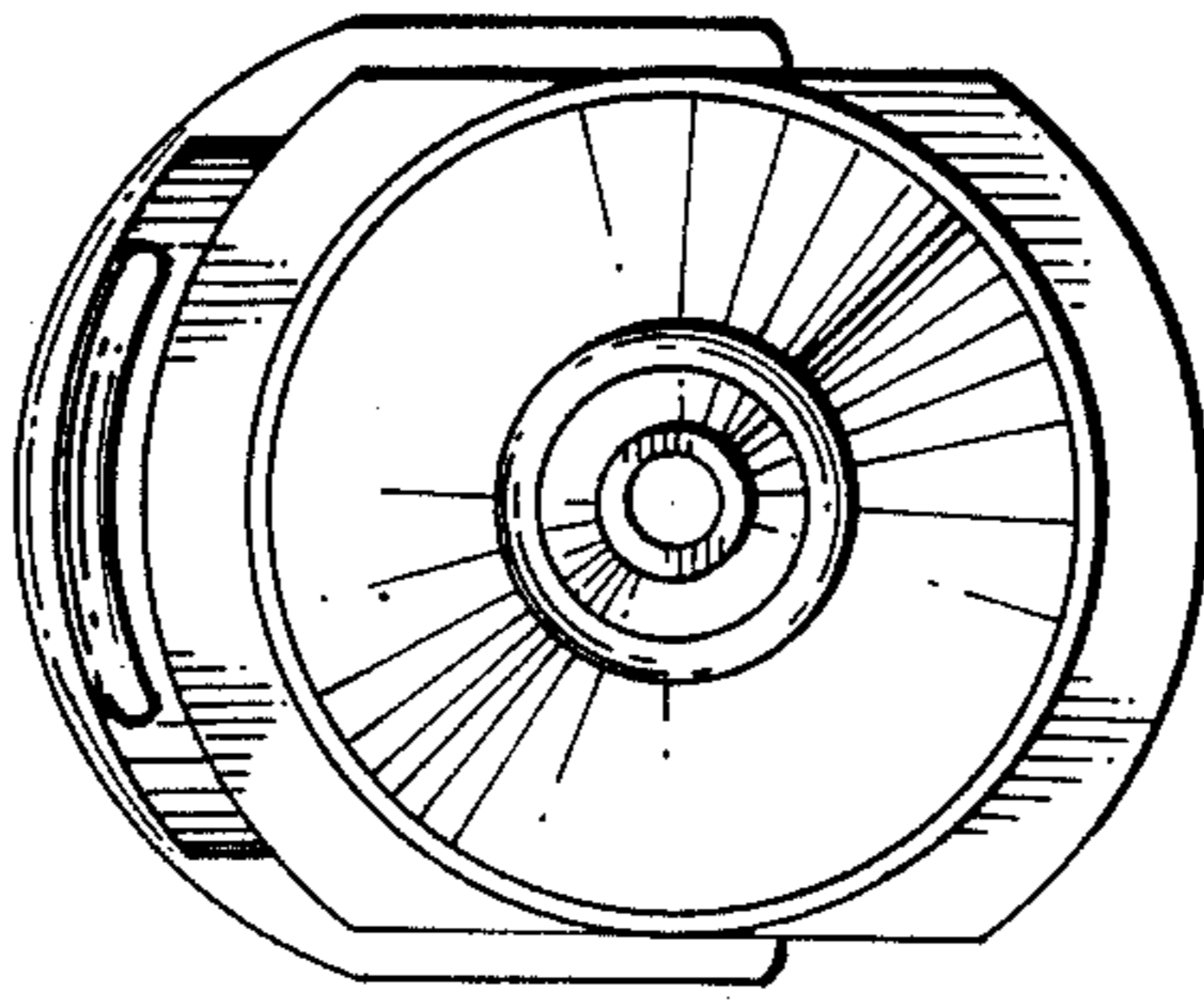


Fig. 5