

[54] **COMBINED CONTAINER/BOTTLE AND COSMETIC WAND APPLICATORS OR THE LIKE**

[75] **Inventors:** Henry J. Cassai, 163-47 85th St., Howard Beach, N.Y. 11414; Gino H. Cassai, Brooklyn, N.Y.

[73] **Assignee:** Henry J. Cassai, Howard Beach, N.Y.

[**] **Term:** 14 Years

[21] **Appl. No.:** 321,554

[22] **Filed:** Mar. 10, 1989

Related U.S. Application Data

[62] Division of Ser. No. 790,517, Oct. 23, 1985.
 [52] **U.S. Cl.** D28/77
 [58] **Field of Search** D28/4-8, D28/61, 73, 76-91.1; D3/39; D9/337, 338, 341, 347, 367, 377; 220/DIG. 26; 206/235, 385, 581, 823

[56] **References Cited**

U.S. PATENT DOCUMENTS

D. 167,690 9/1952 Hopgood D28/77
 D. 183,674 10/1958 Bau D28/7
 D. 277,420 1/1985 Bakic D28/83
 4,600,328 7/1986 Clements 132/88.5

FOREIGN PATENT DOCUMENTS

2037409 2/1972 Fed. Rep. of Germany D28/7

Primary Examiner—Louis S. Zarfes

[57] **CLAIM**

The ornamental design for a combined container/bottle and cosmetic wand applicators or the like, as shown and described.

DESCRIPTION

FIG. 1 is an exploded front elevational view of a combined container/bottle and cosmetic wand applicators or the like showing our new design. Its rear view being a mirror image;

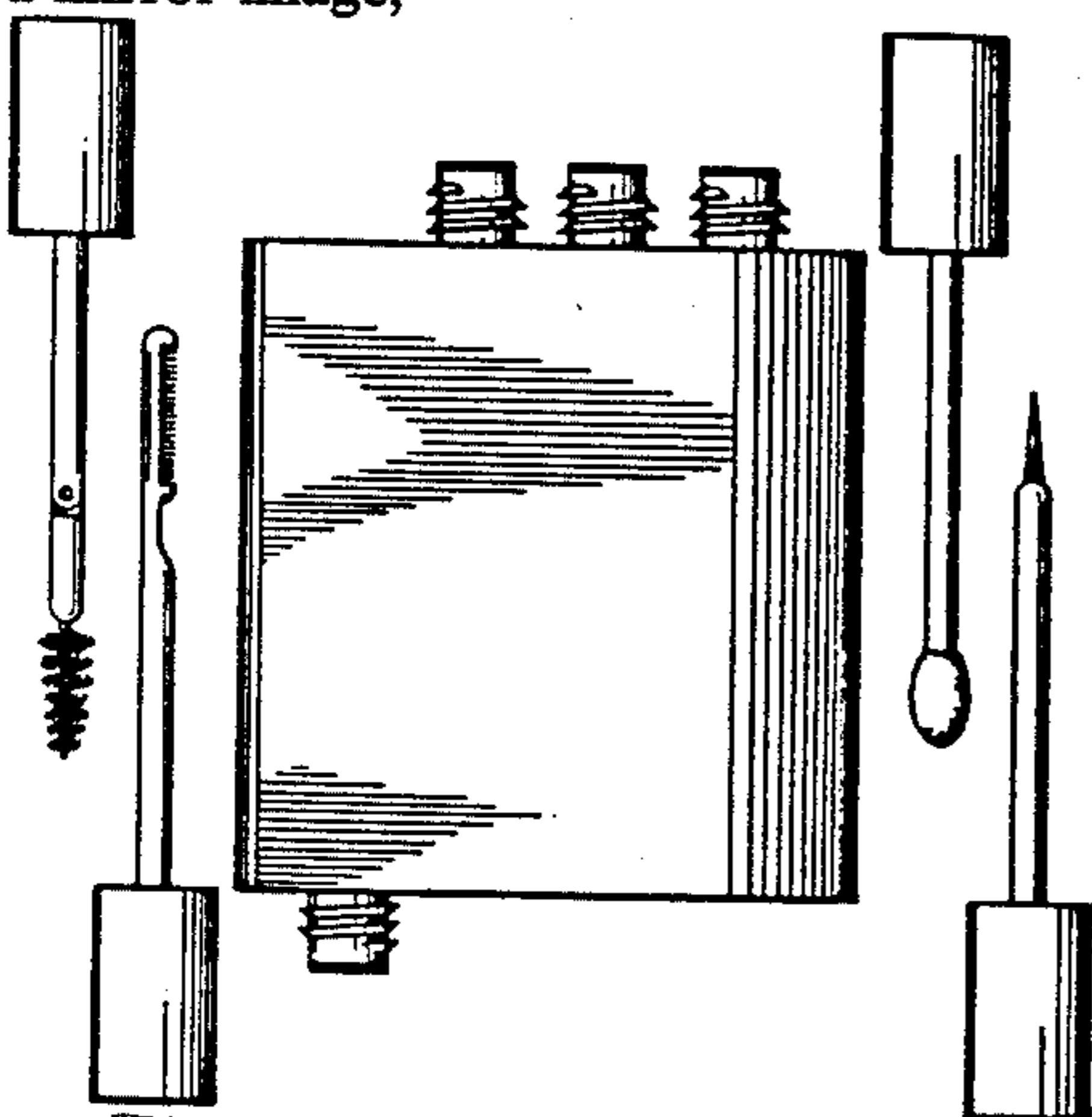


FIG. 2 is another front elevational view with applicator caps on. Its rear view being a mirror image;
 FIG. 3 is a side elevational view of FIG. 2, its opposite side being the same;
 FIG. 4 is a partially exploded side elevational view showing a second embodiment of our new design wherein the applicator caps have been modified;
 FIG. 5 is a top plan view of FIG. 1;
 FIG. 6 is a bottom plan view thereof;
 FIG. 7 is an exploded front elevational view of a combined container/bottle and cosmetic wand applicators or the like showing a third embodiment of our new design; its rear view being a mirror image;
 FIG. 8 is a front elevational view with applicator caps on. Its rear view being a mirror image;
 FIG. 9 is a side elevational view of FIG. 8, its opposite side being the same;
 FIG. 10 is a partially exploded side elevational view showing a fourth embodiment of our new design wherein the applicator caps have been modified;
 FIG. 11 is a top plan view of FIG. 7;
 FIG. 12 is a bottom plan view thereof;
 FIG. 13 is an exploded front elevational view of a combined container/bottle and cosmetic wand applicators or the like showing a fifth embodiment of our new design;
 FIG. 14 is a front elevational view with caps on. Its rear view being a mirror image;
 FIG. 15 is a side elevational view of FIG. 14. Its opposite side being the same;
 FIG. 16 is a partially exploded side elevational view showing a sixth embodiment of our new design wherein the applicator caps have been modified;
 FIG. 17 is a top plan view of FIG. 13;
 FIG. 18 is a bottom plan view thereof;
 FIG. 19 is an exploded front elevational view of a combined container/bottle and cosmetic wand applicators or the like showing a seventh embodiment of our new design. Its rear view being a mirror image;
 FIG. 20 is a front elevational view with applicator caps on. Its rear view being a mirror image;
 FIG. 21 is a side elevational view of FIG. 20. Its opposite side being the same;
 FIG. 22 is a partially exploded side elevational view showing an eighth embodiment of our new design wherein the applicator caps have been modified;

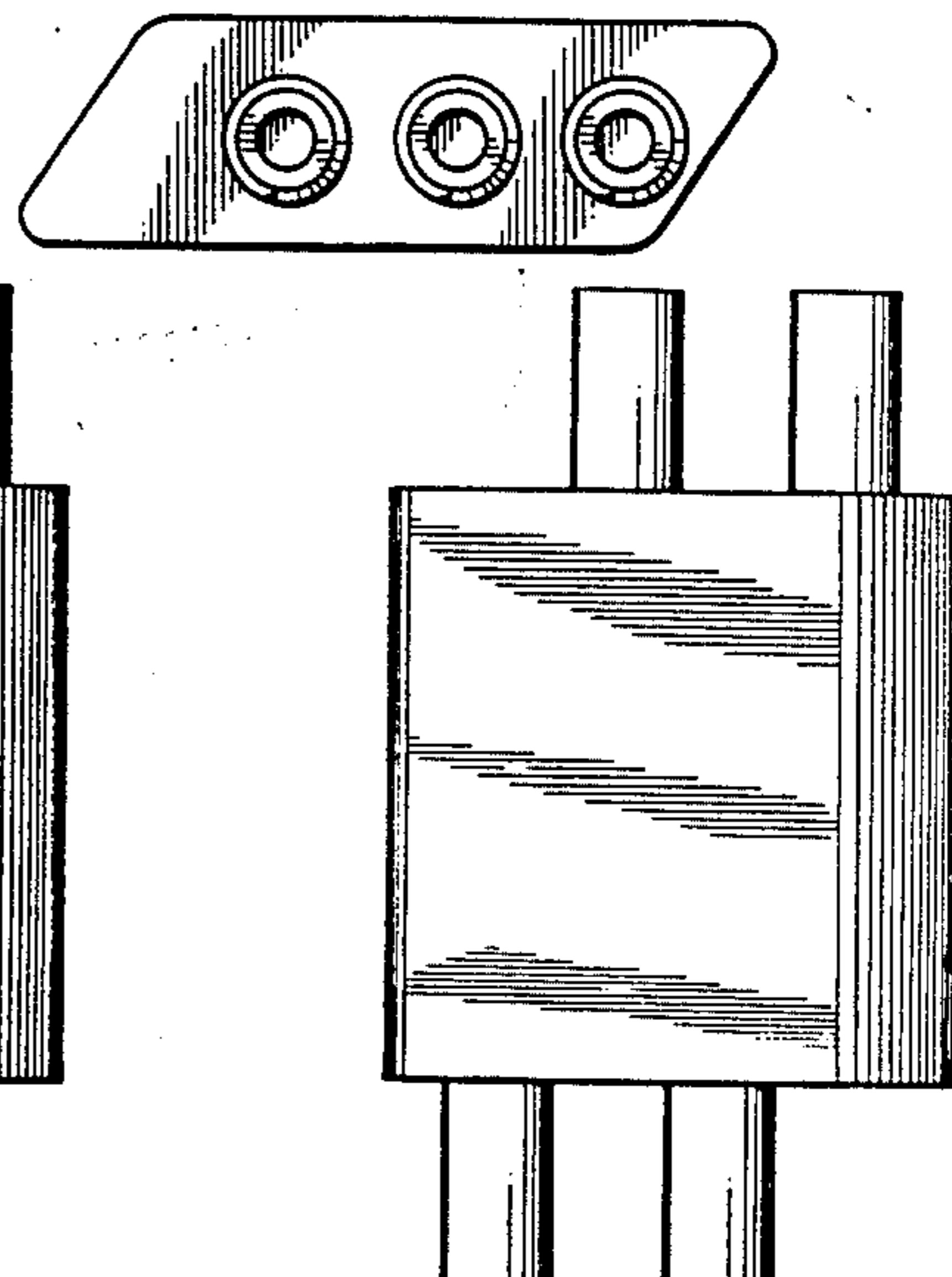


FIG. 23 is a top plan view of FIG. 19;

FIG. 24 is a bottom plan view thereof;

FIG. 25 is an exploded front elevational view of a combined container/bottle and cosmetic wand applicators or the like showing a ninth embodiment of our new design. Its rear view being a mirror image;

FIG. 26 is a front elevational view with applicator caps on. Its rear view being a mirror image;

FIG. 27 is a side elevational view of FIG. 26, its opposite side being the same;

FIG. 28 is a partially exploded side elevational view showing a tenth embodiment of our new design wherein the applicator caps have been modified;

FIG. 29 is a top plan view of FIG. 25; and

FIG. 30 is a bottom plan view thereof.

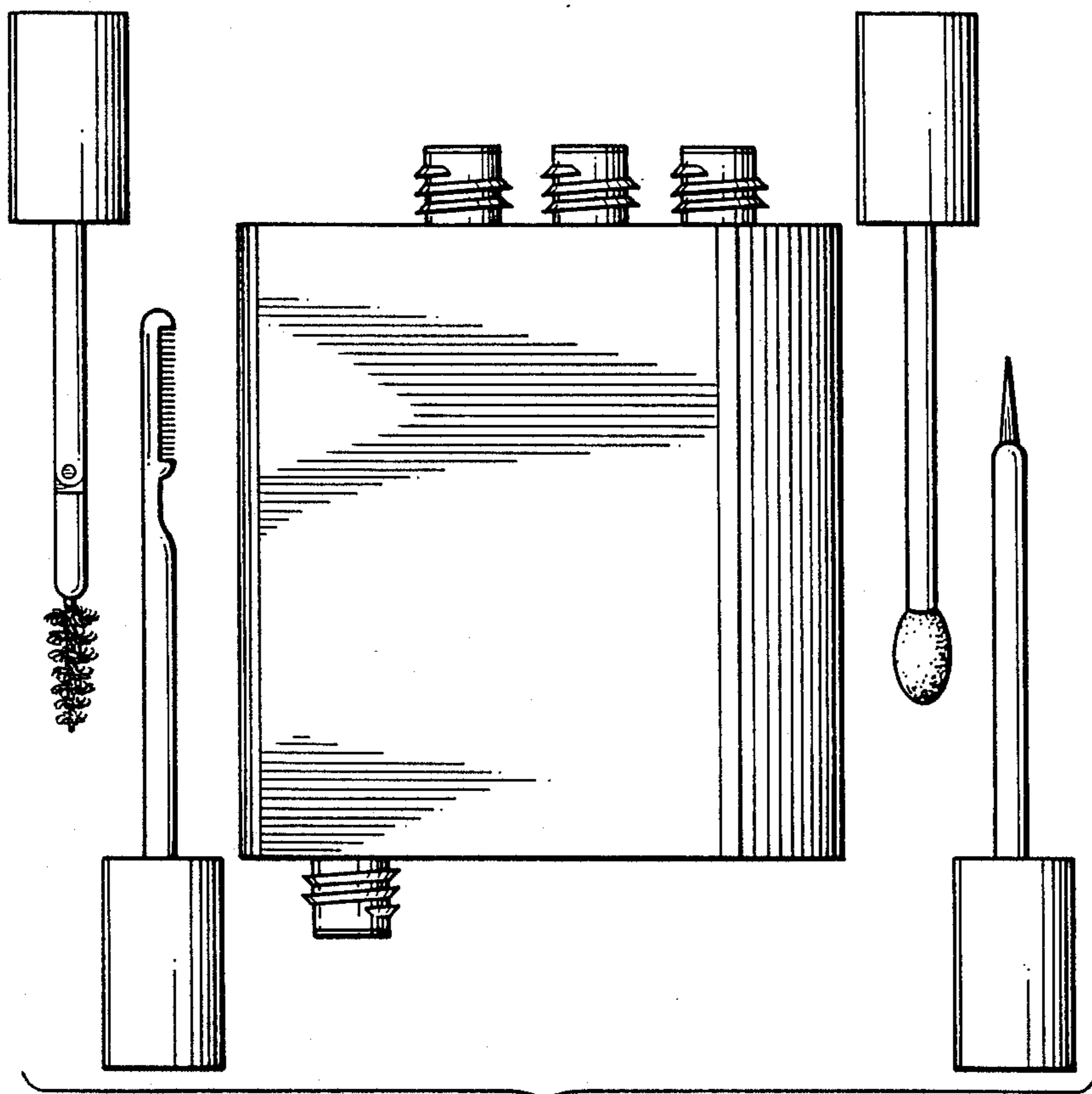


FIG. 1

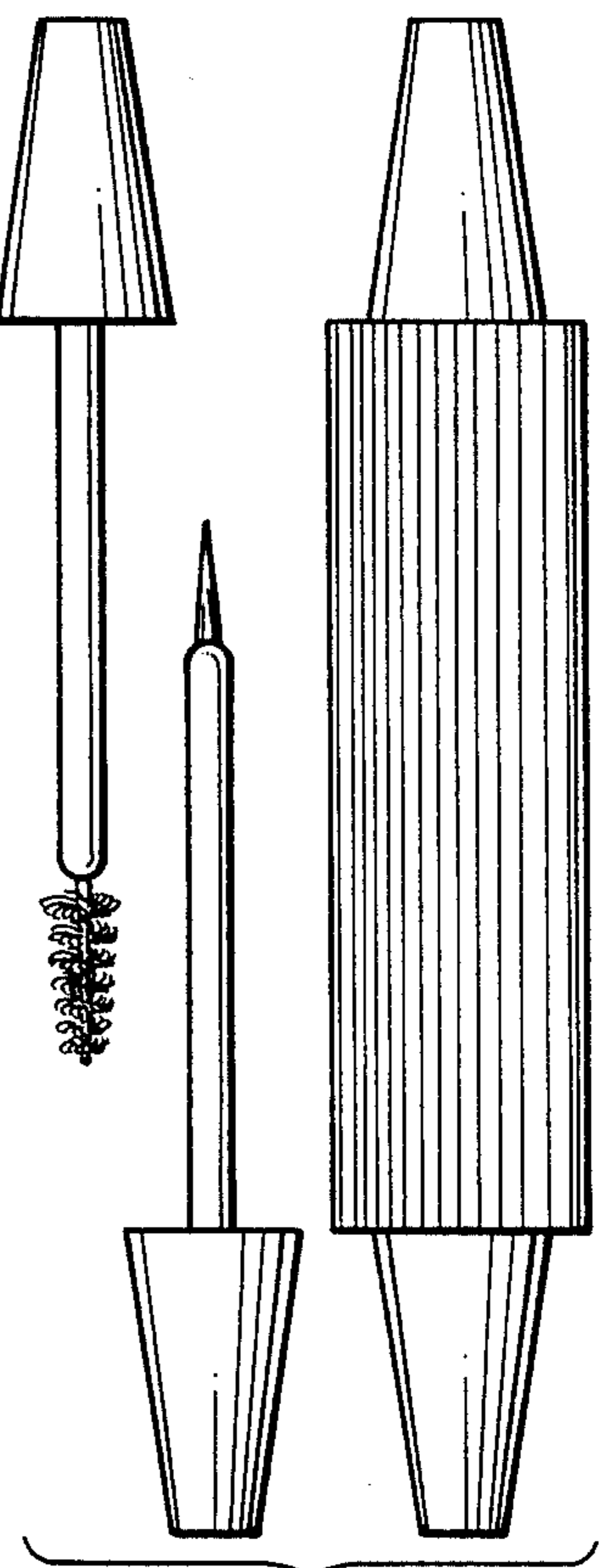


FIG. 4

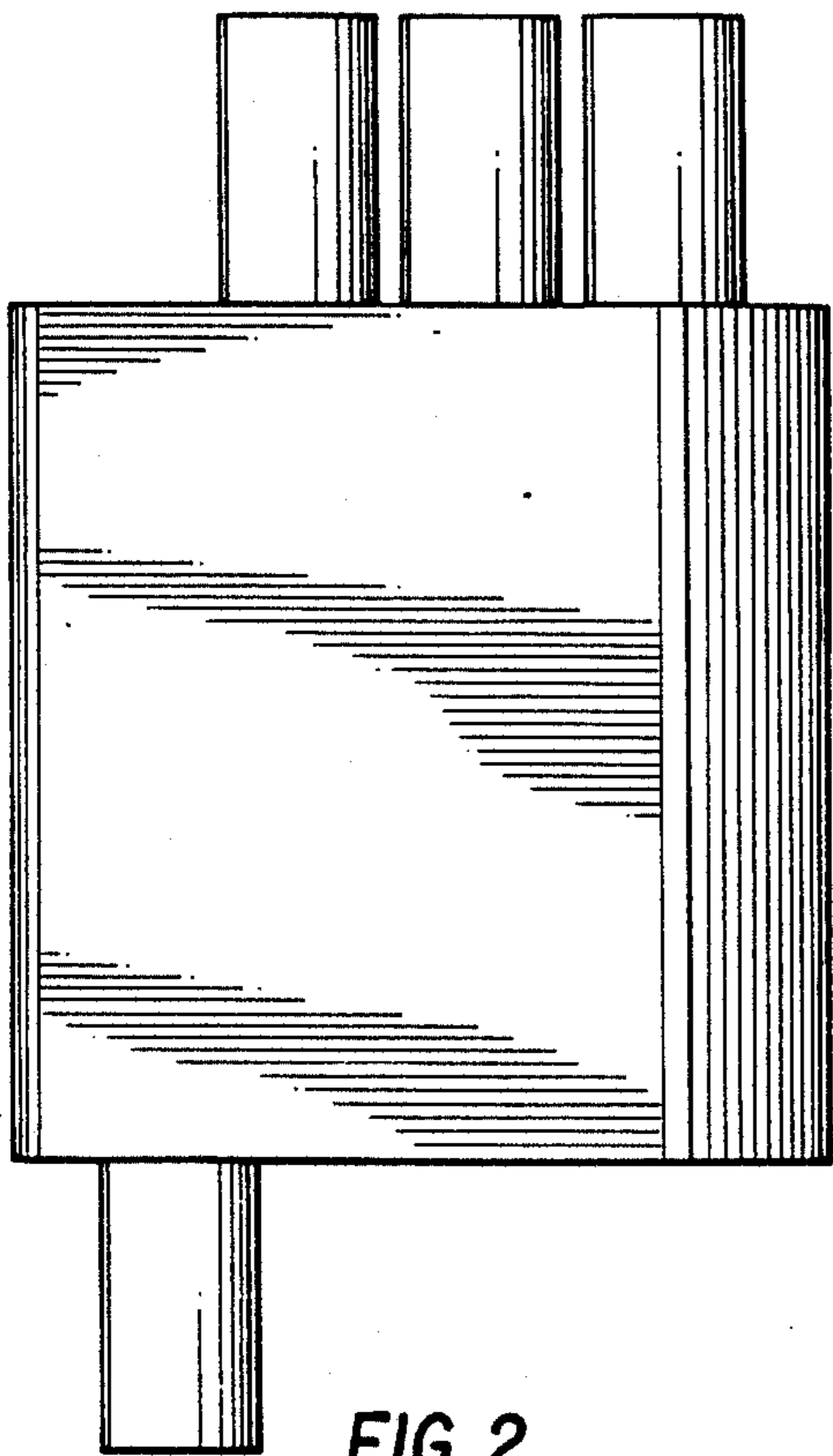


FIG. 2

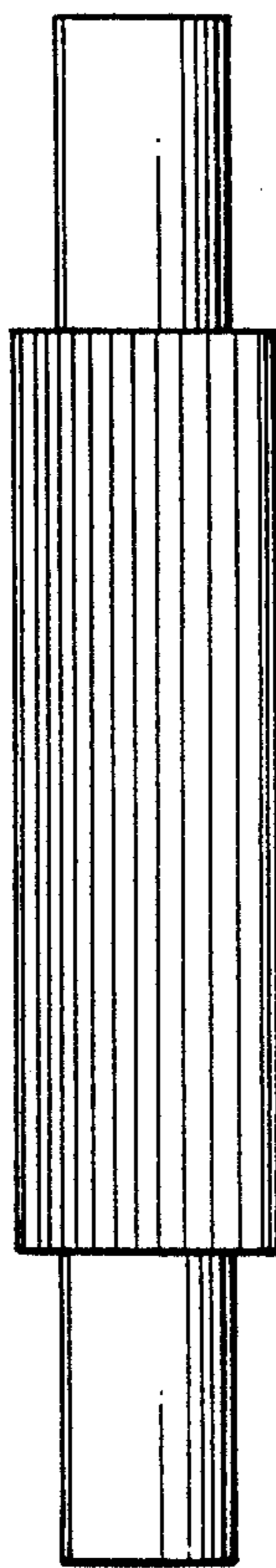


FIG. 3

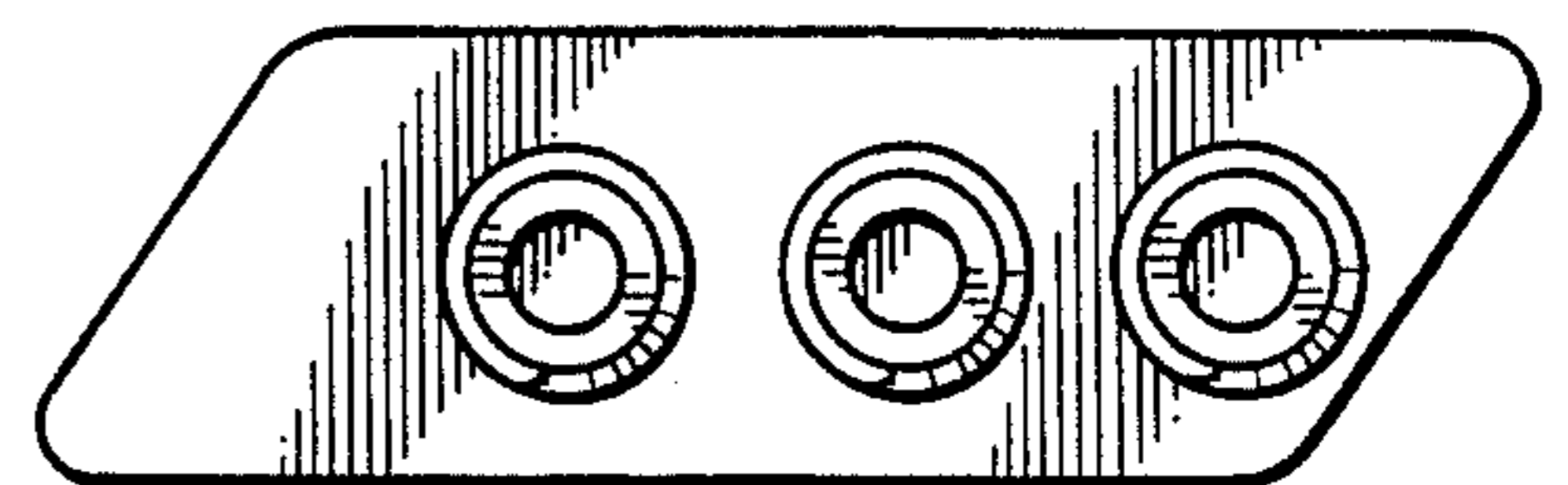


FIG. 5

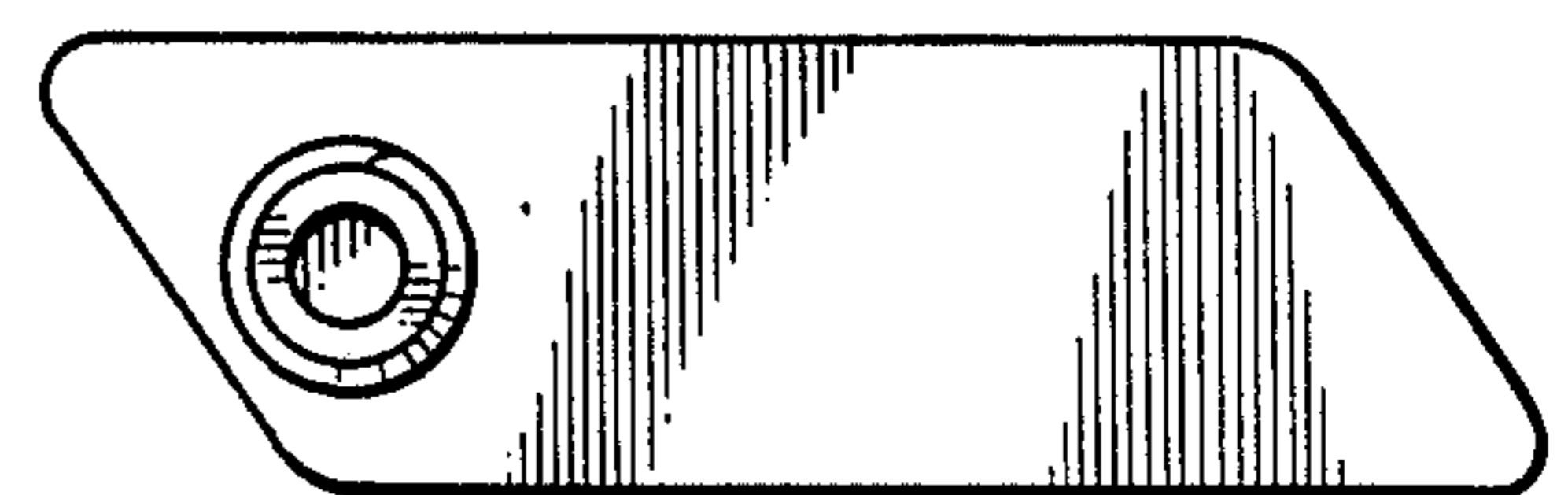


FIG. 6

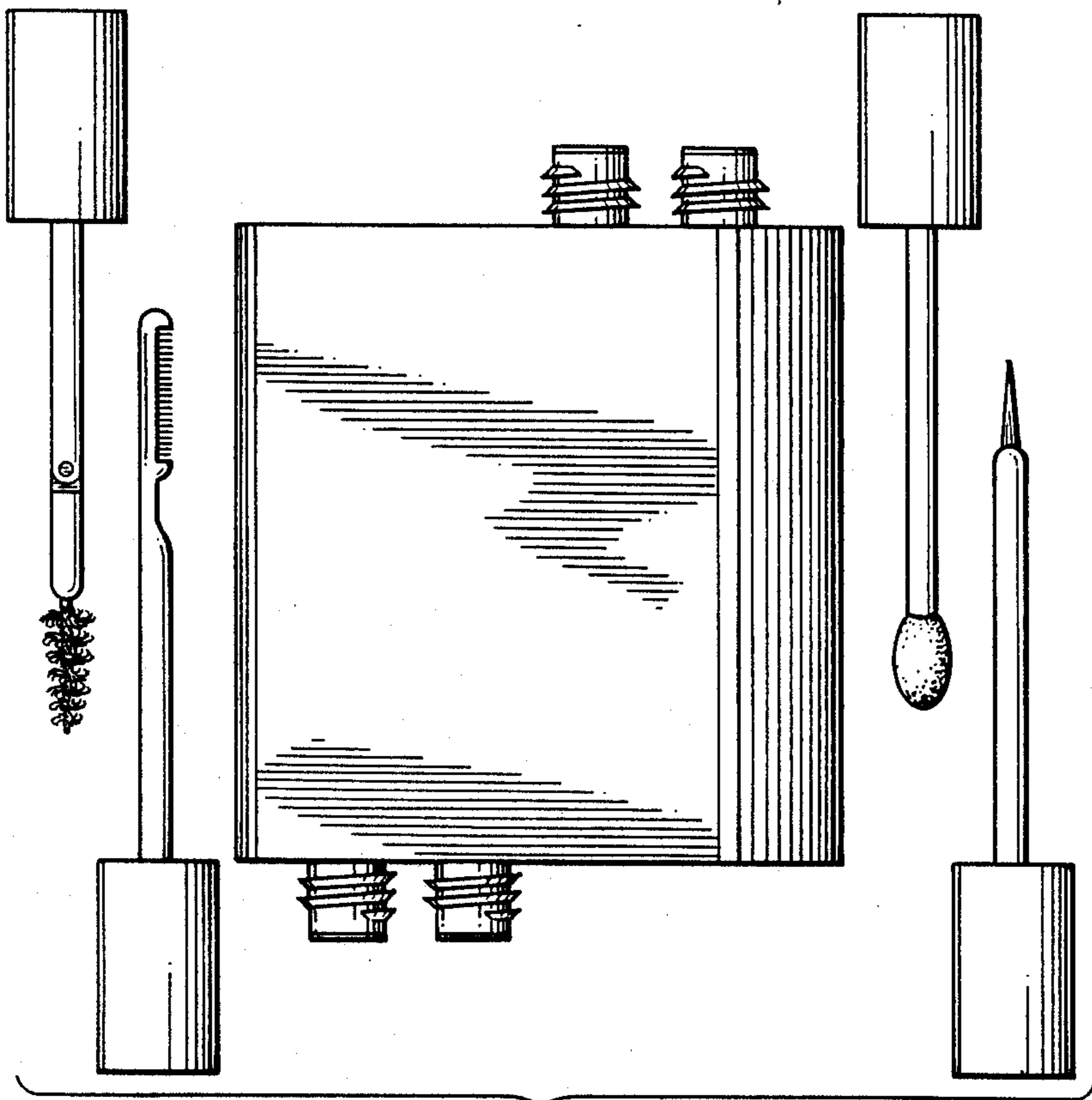


FIG. 7

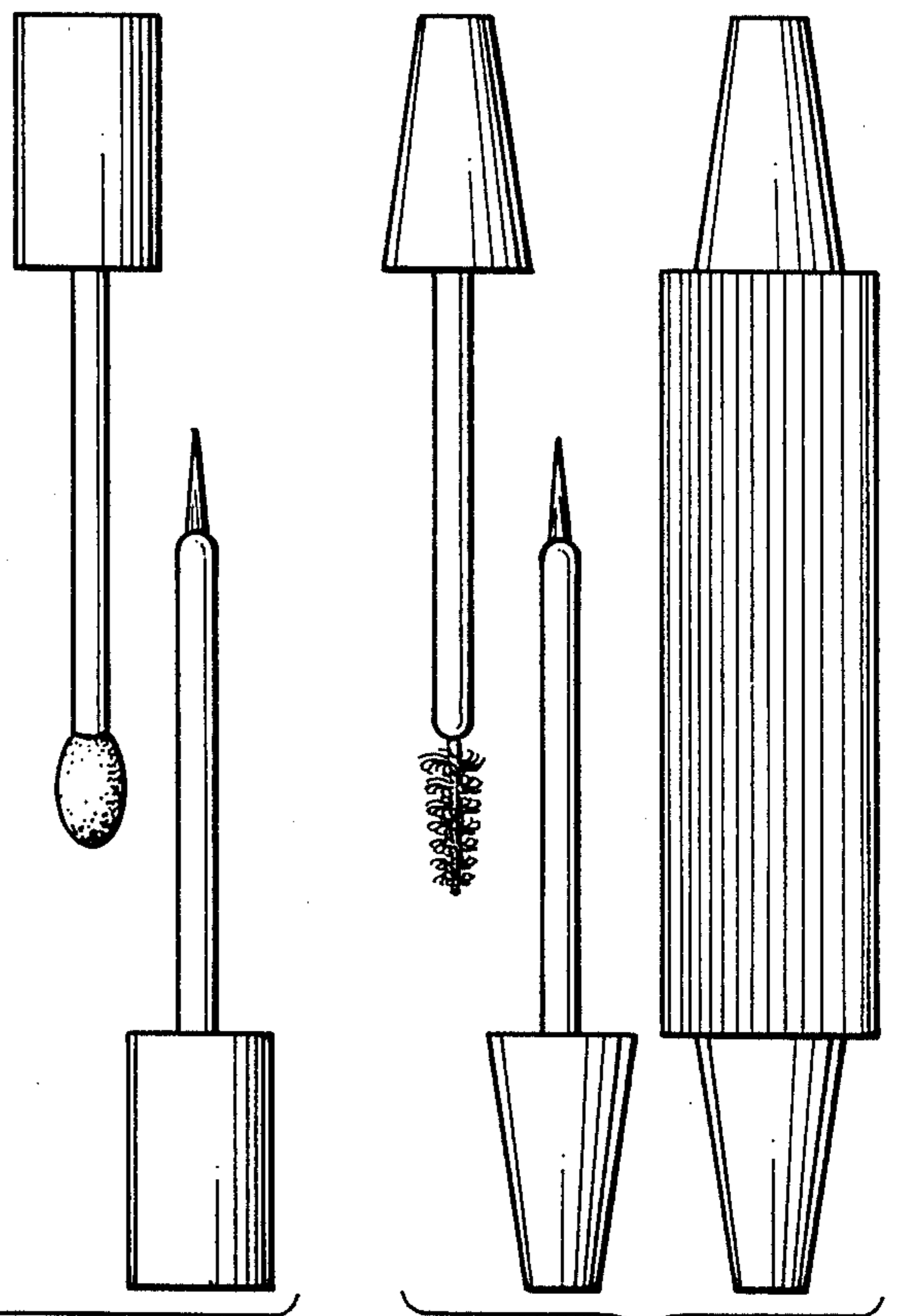


FIG. 10

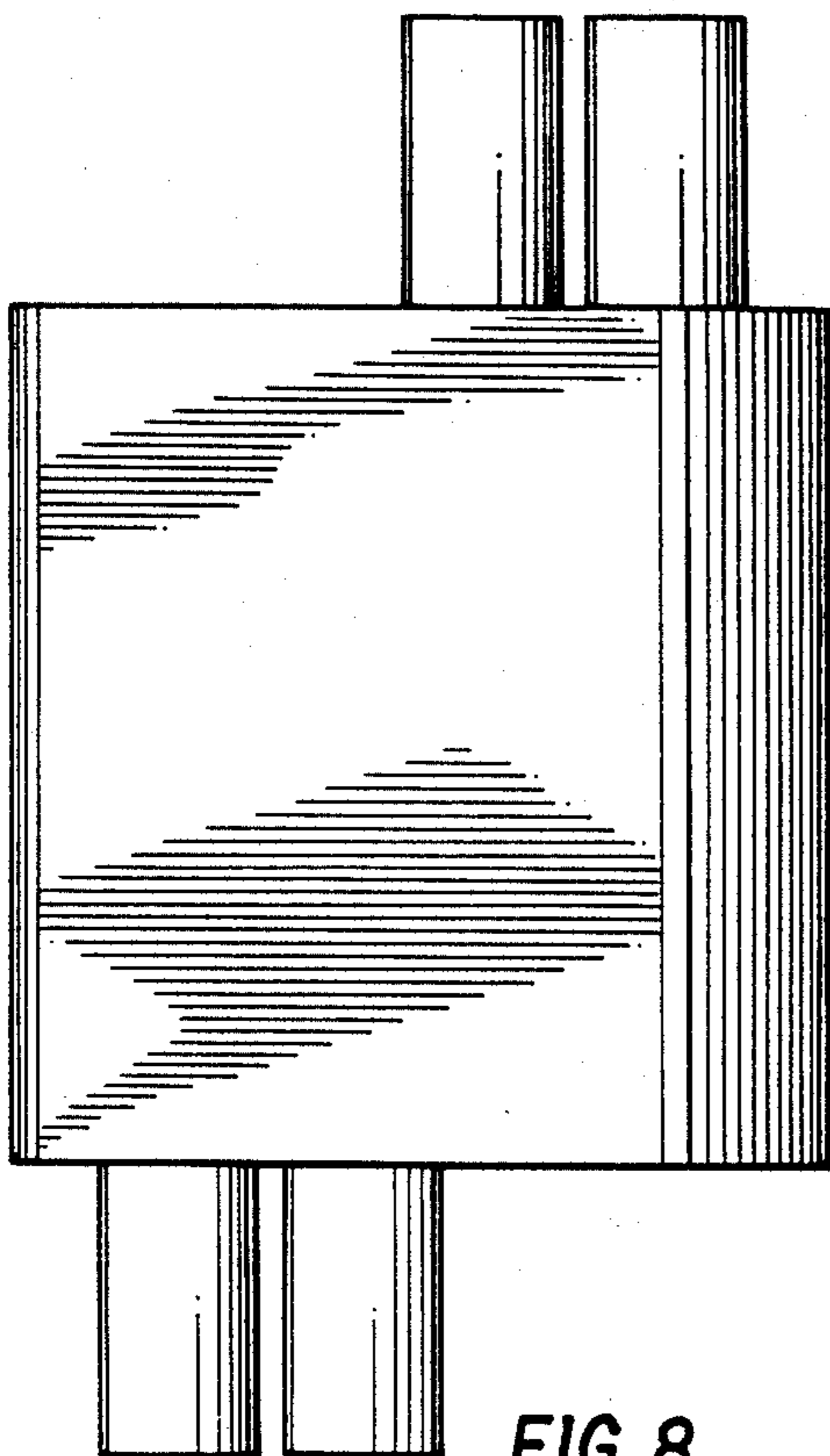


FIG. 8

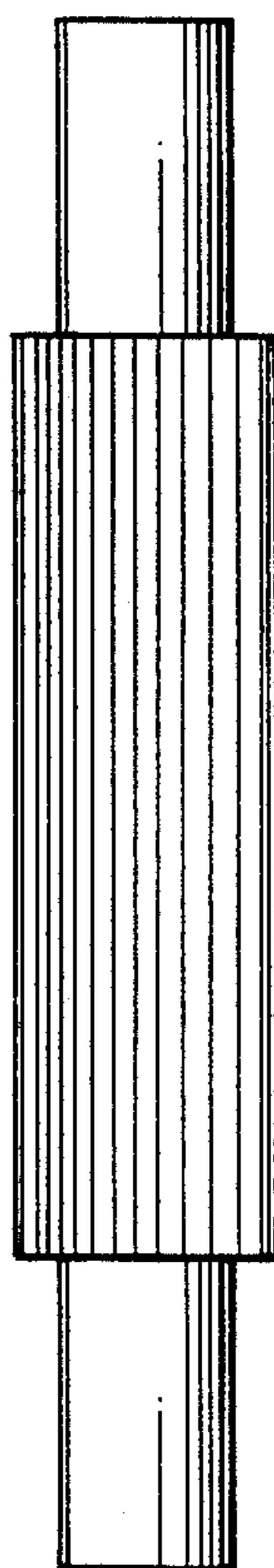


FIG. 9

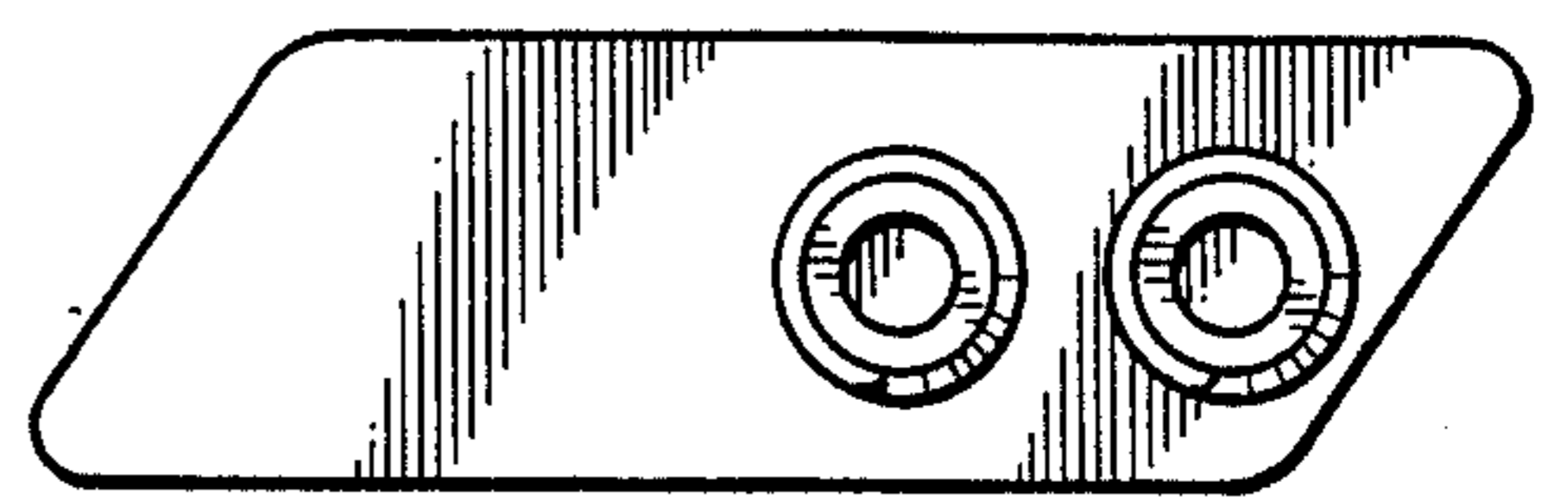


FIG. 11

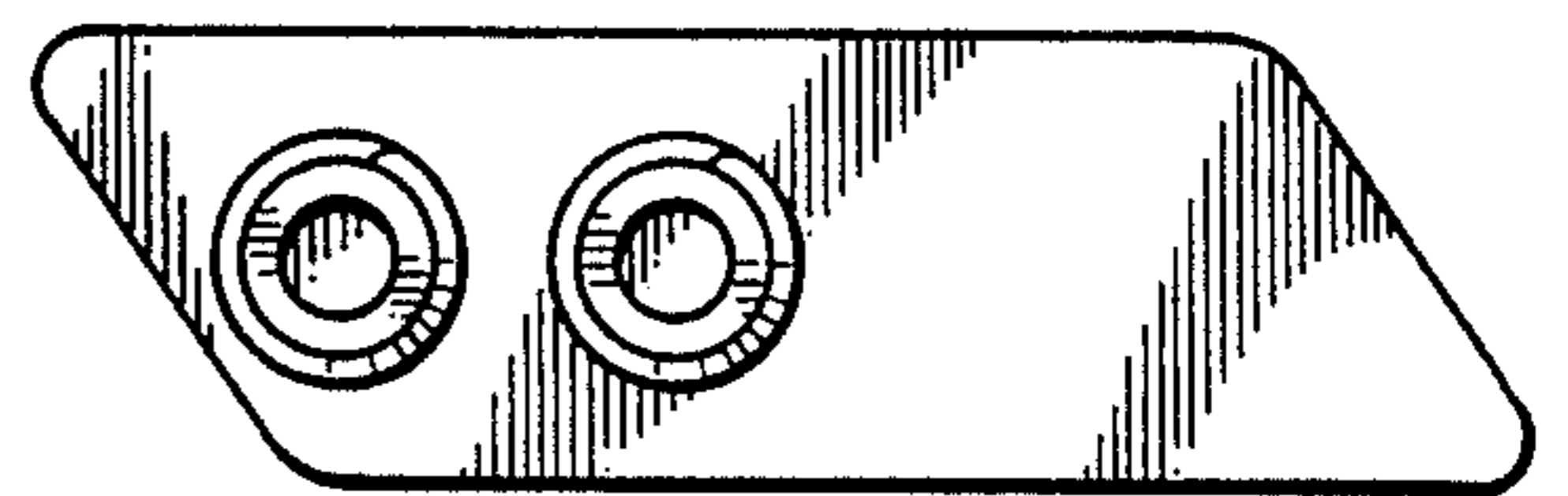


FIG. 12

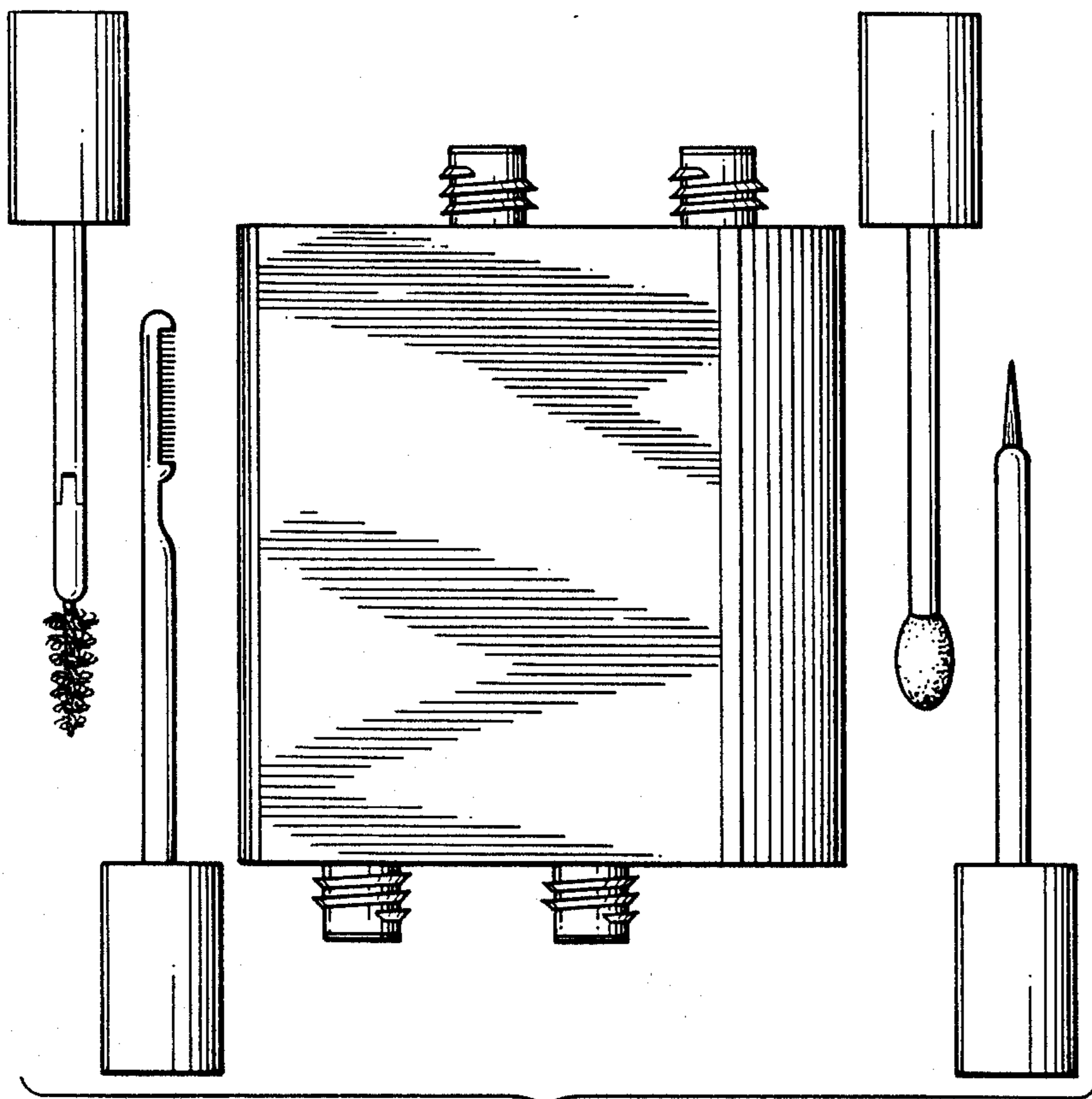


FIG. 13

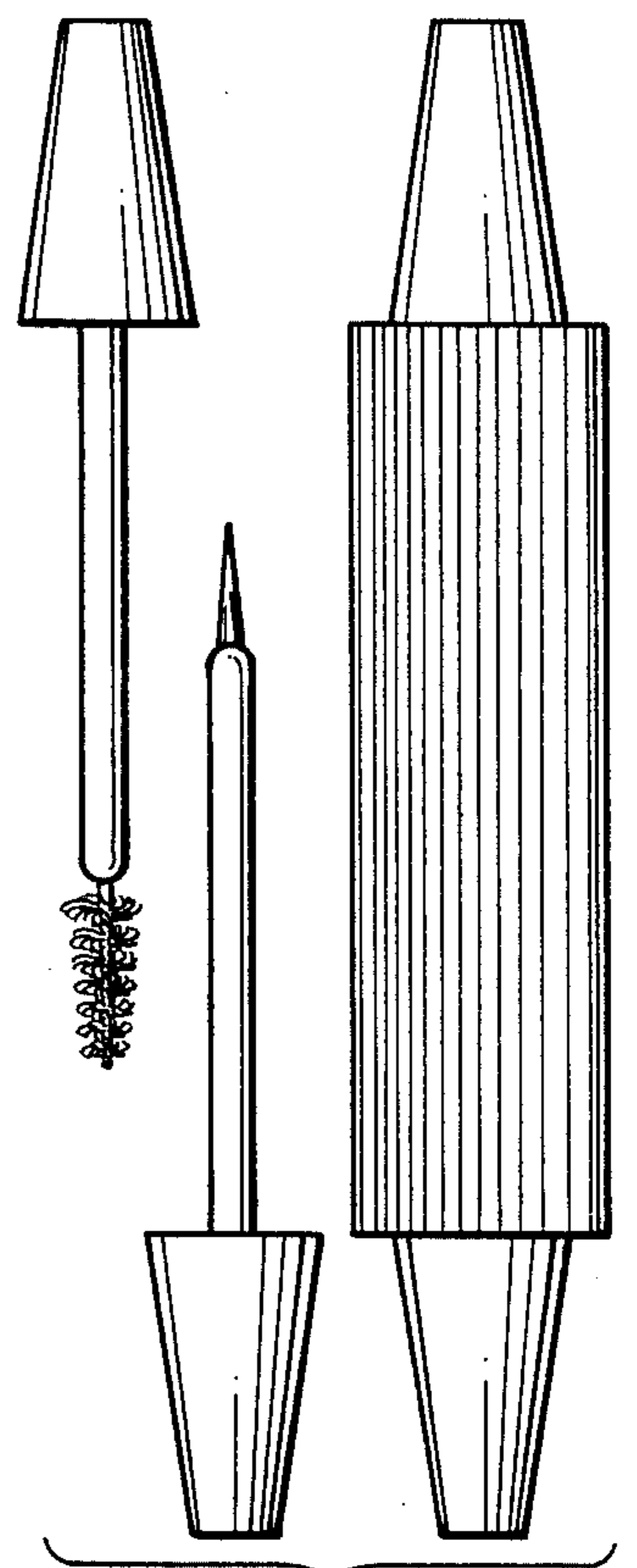


FIG. 16

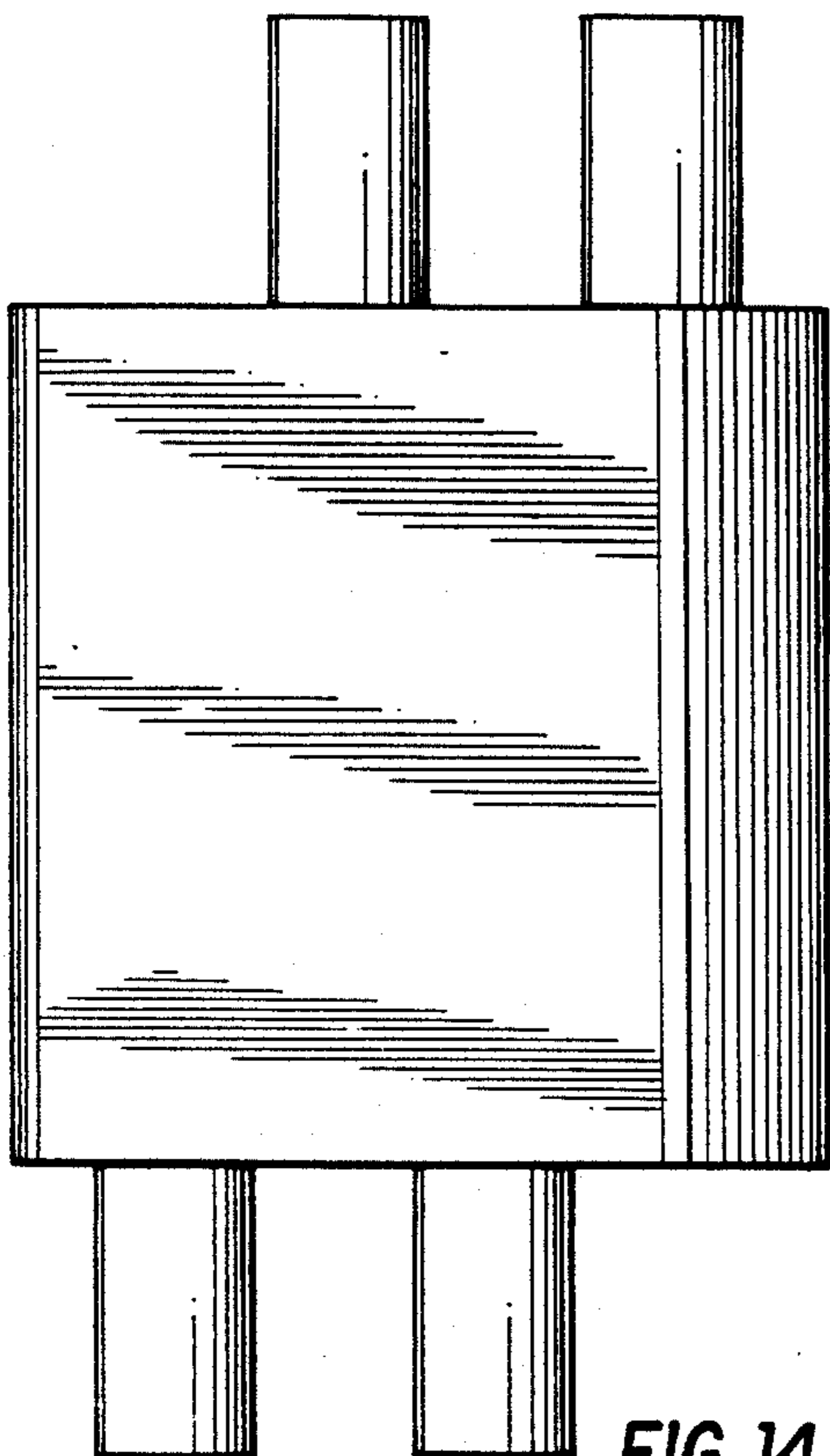


FIG. 14

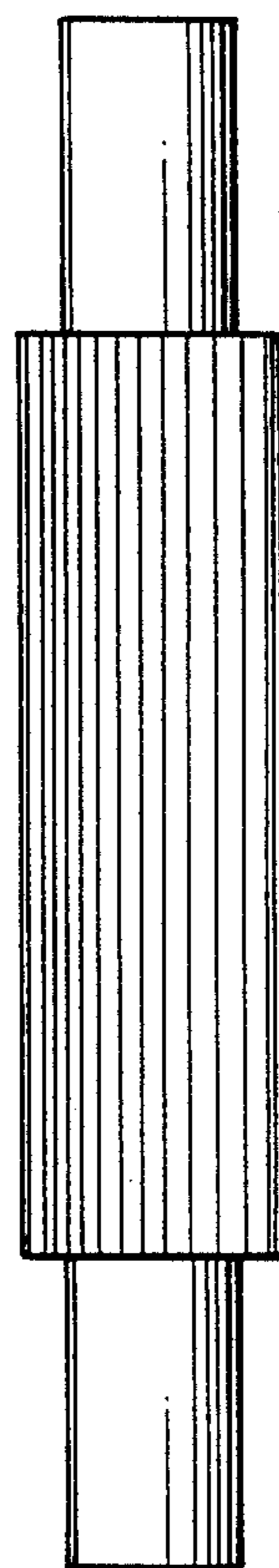


FIG. 15

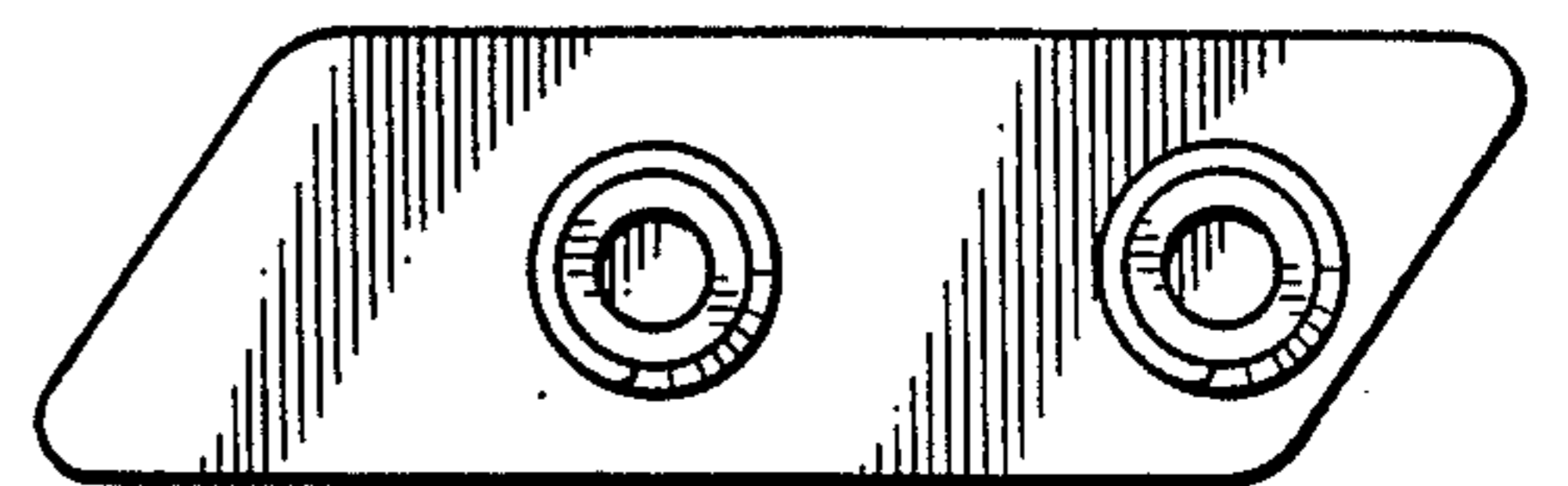


FIG. 17

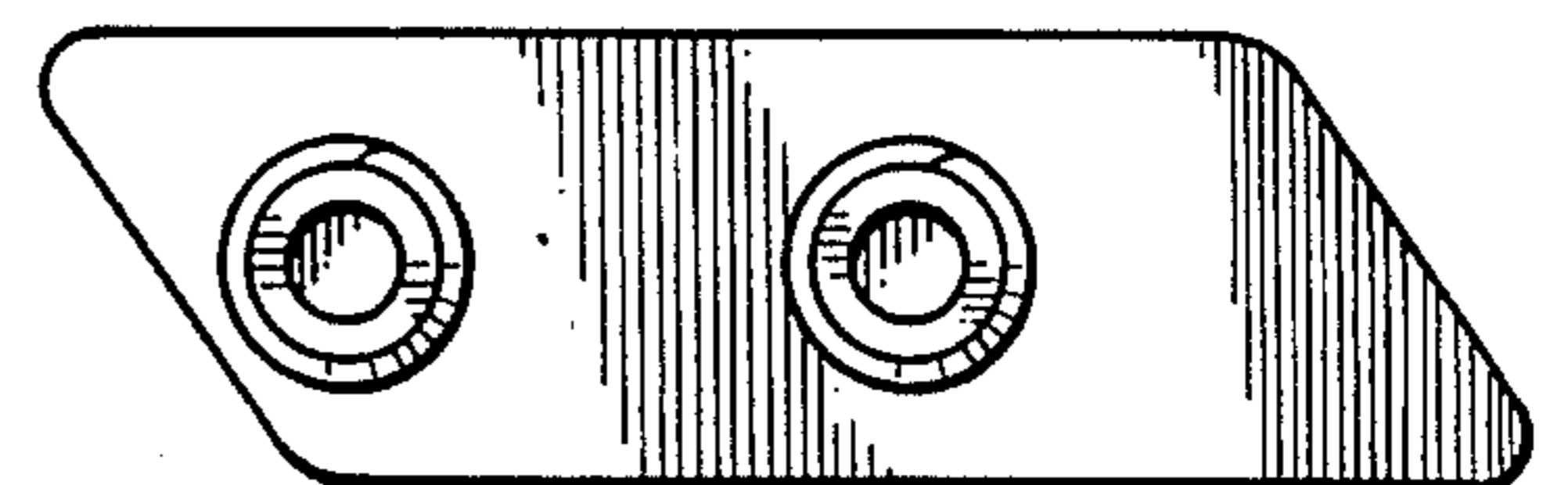


FIG. 18

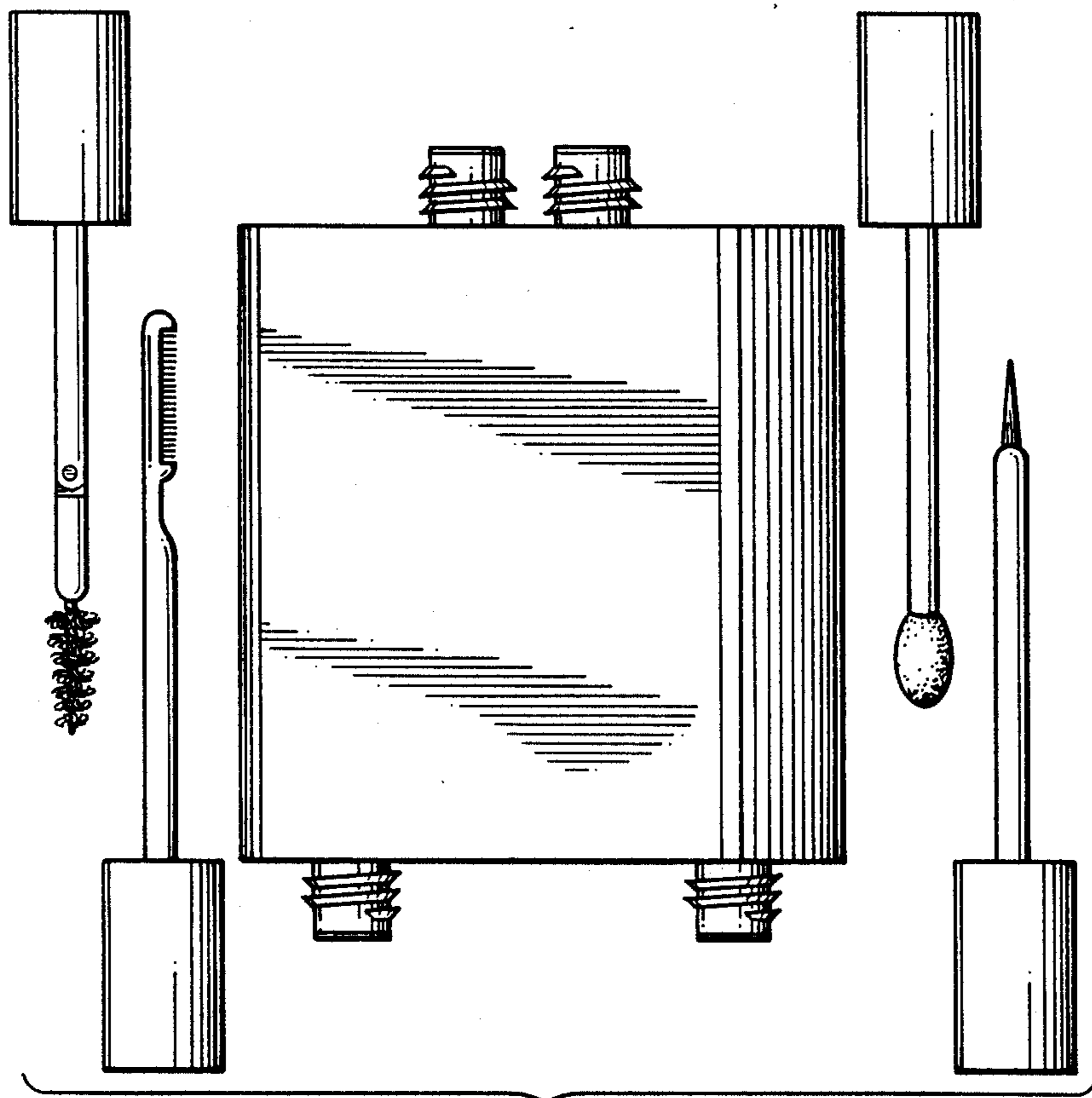


FIG. 19

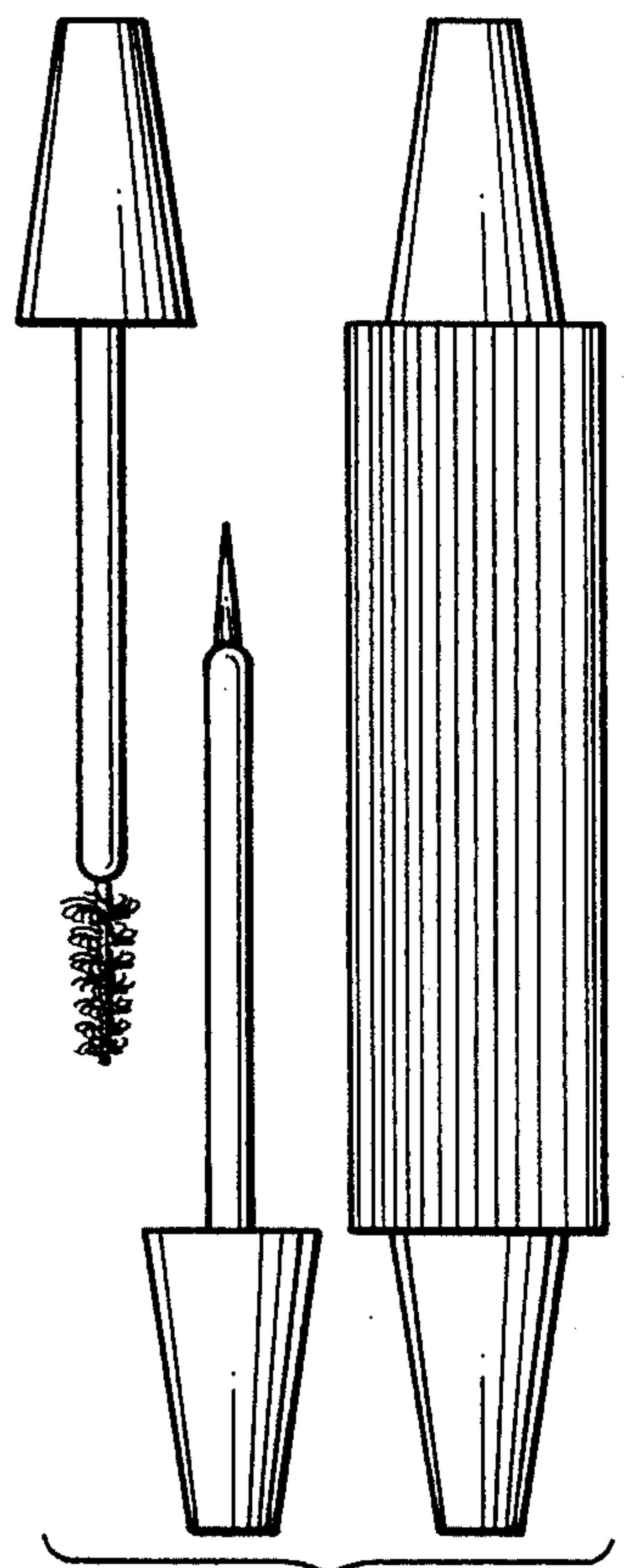


FIG. 22

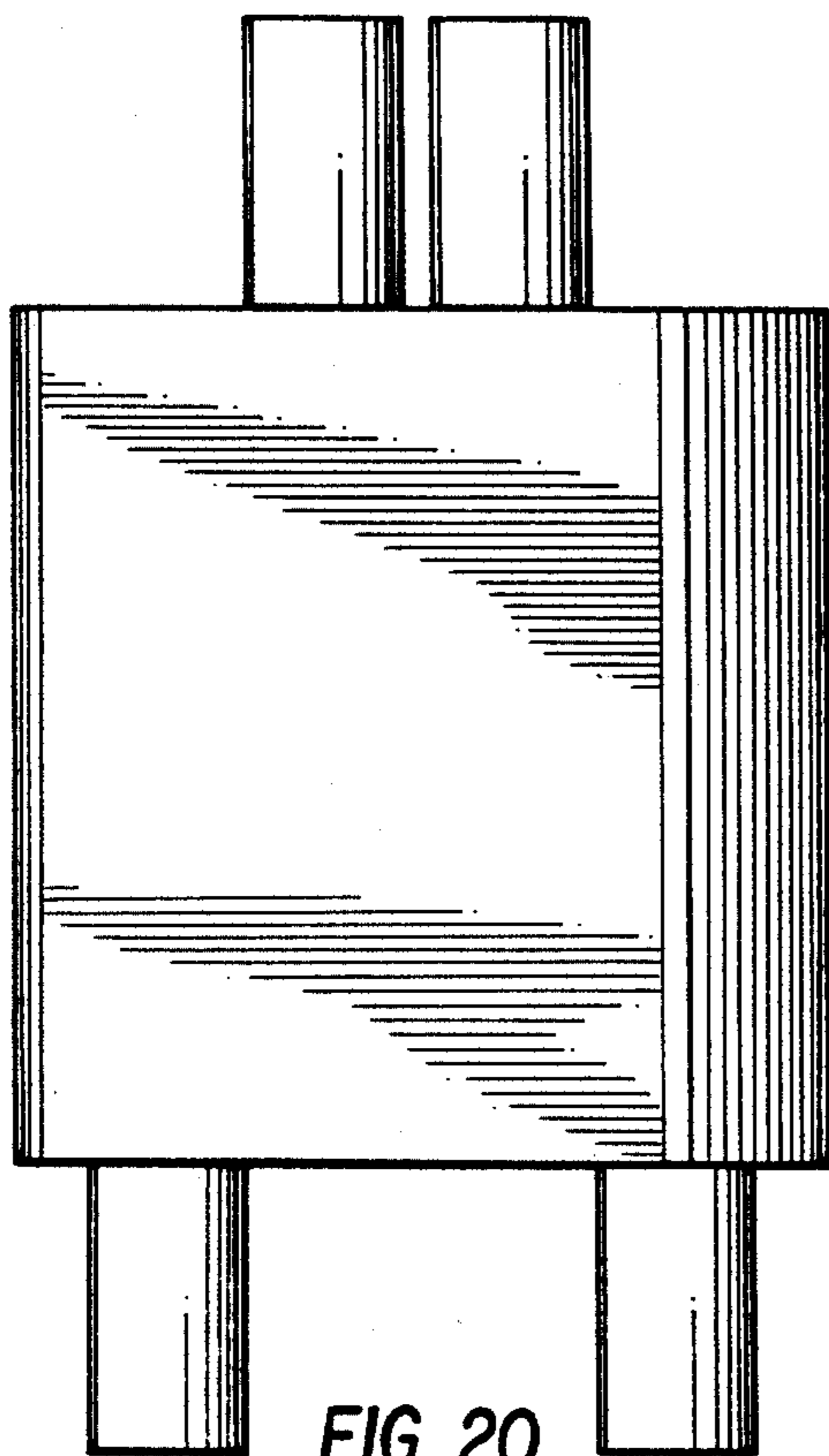


FIG. 20



FIG. 21

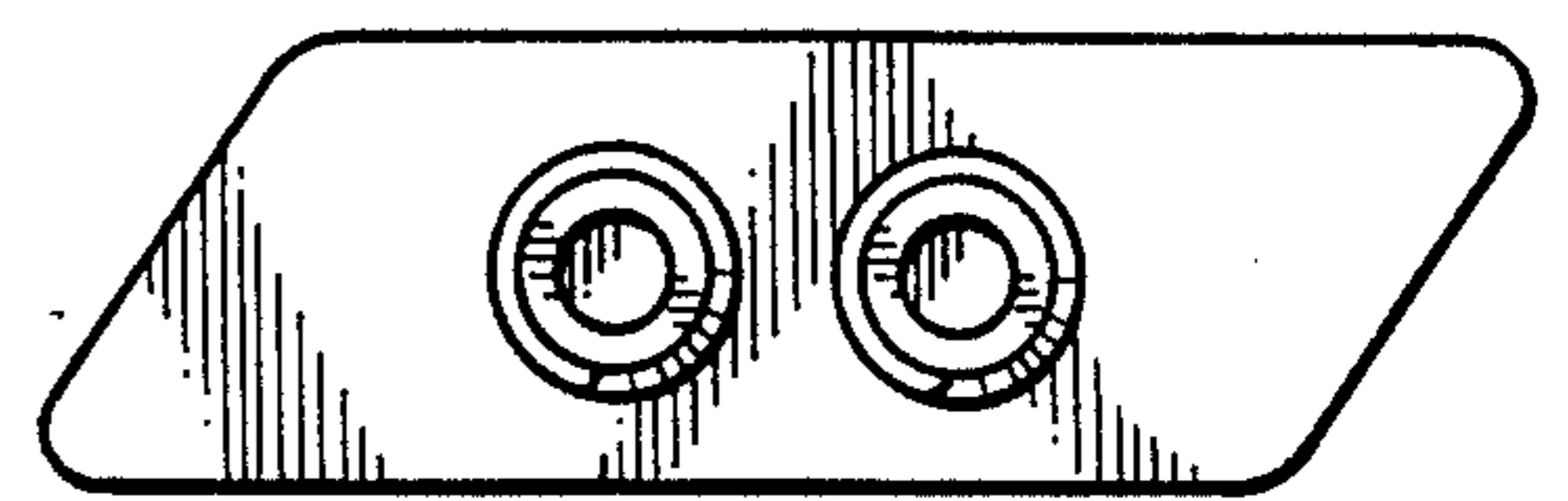


FIG. 23

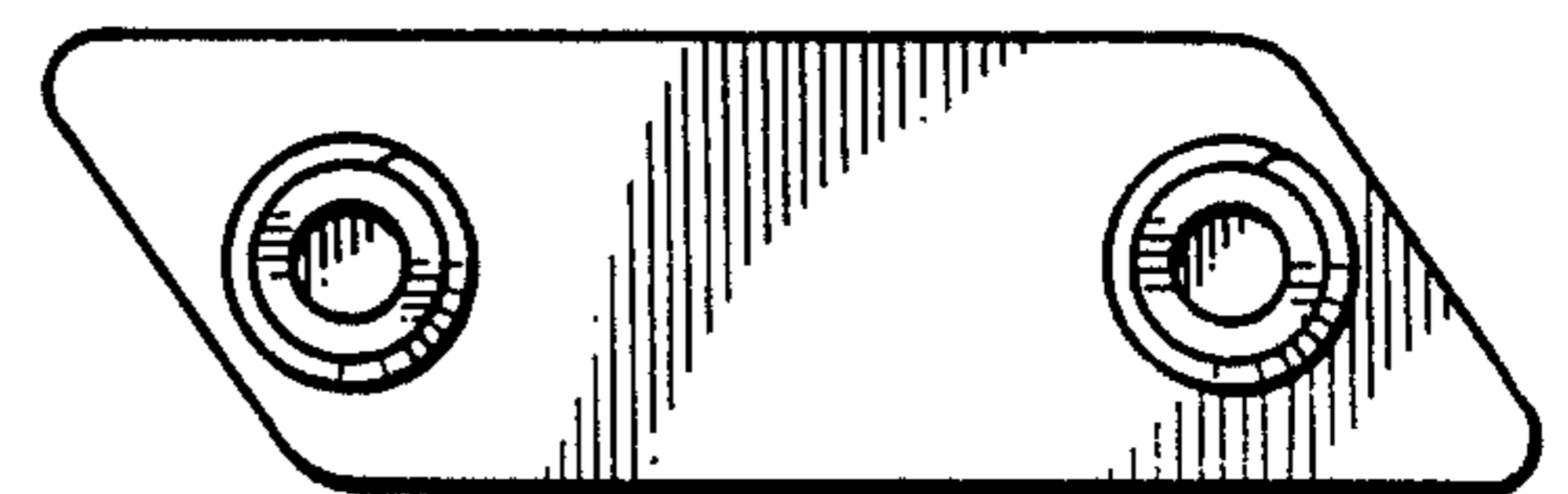


FIG. 24

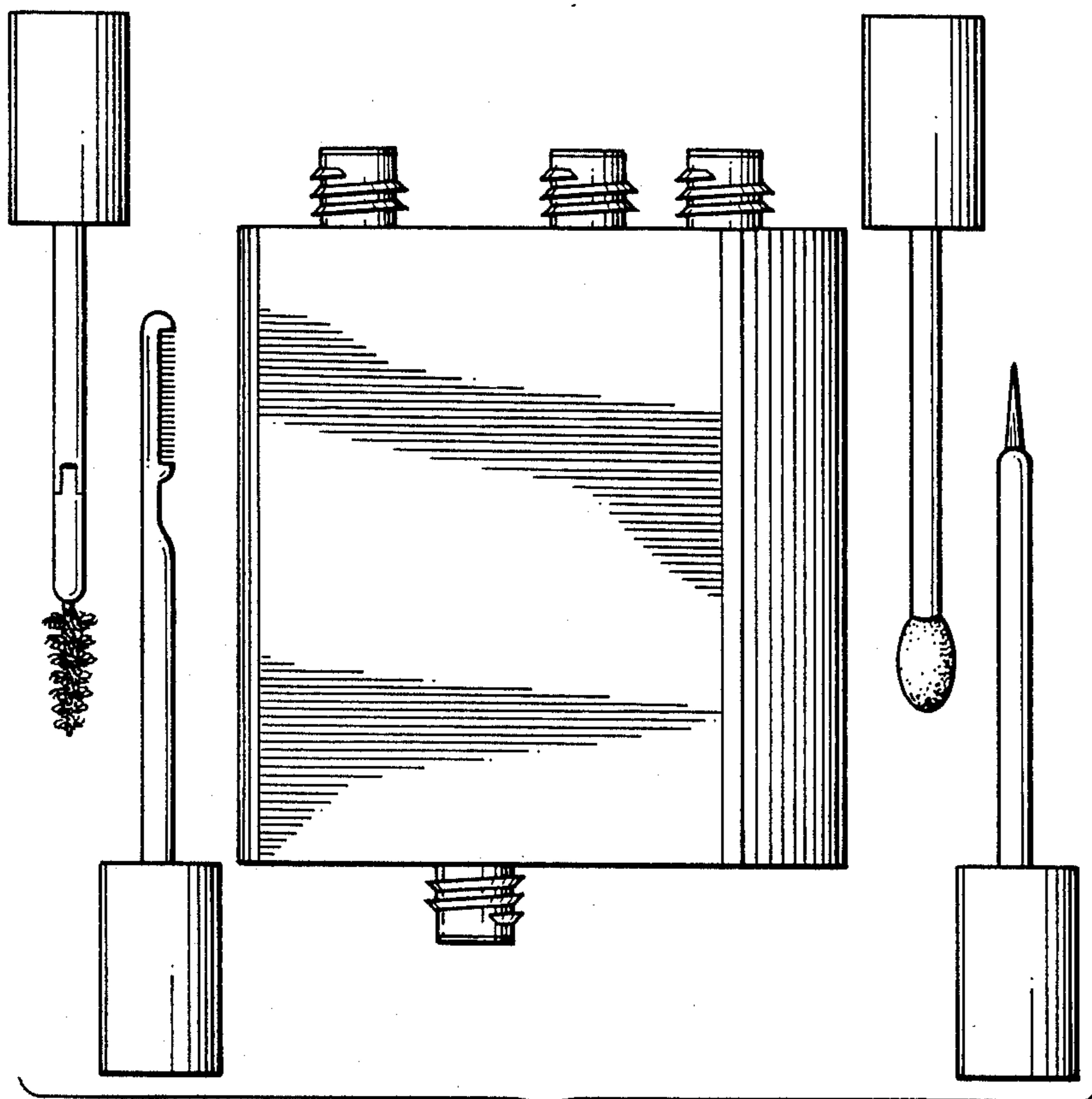


FIG. 25

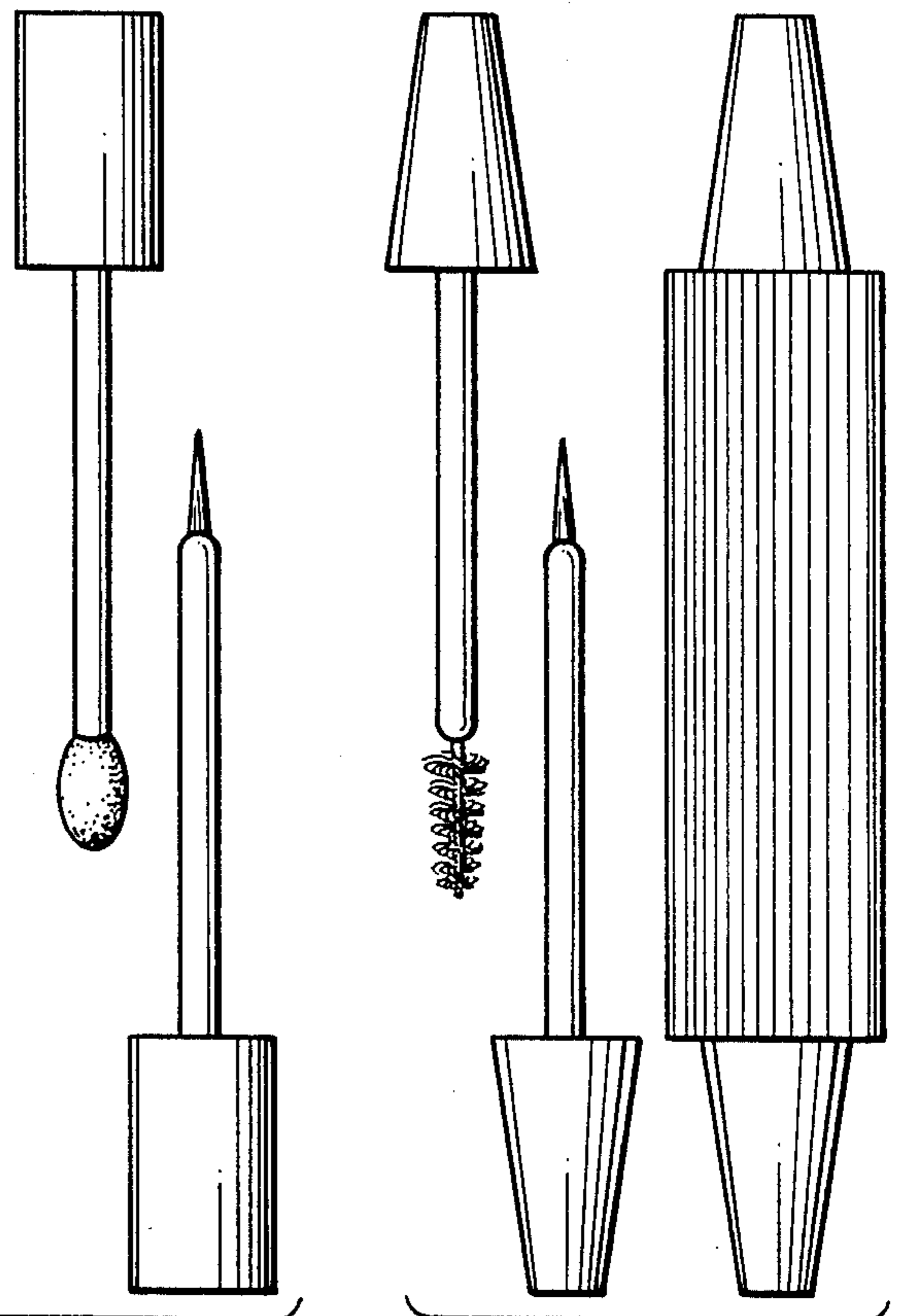


FIG. 28

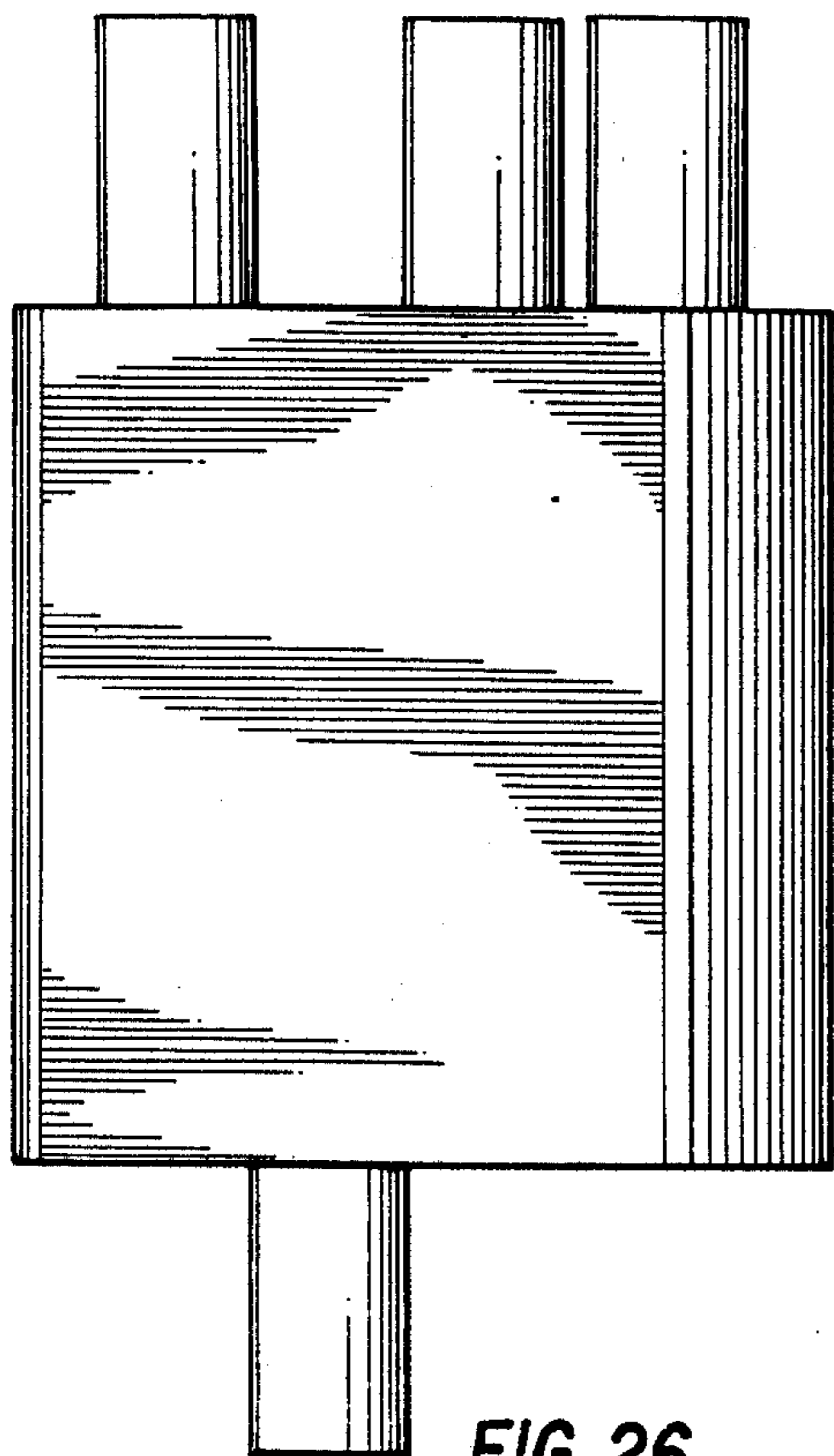


FIG. 26

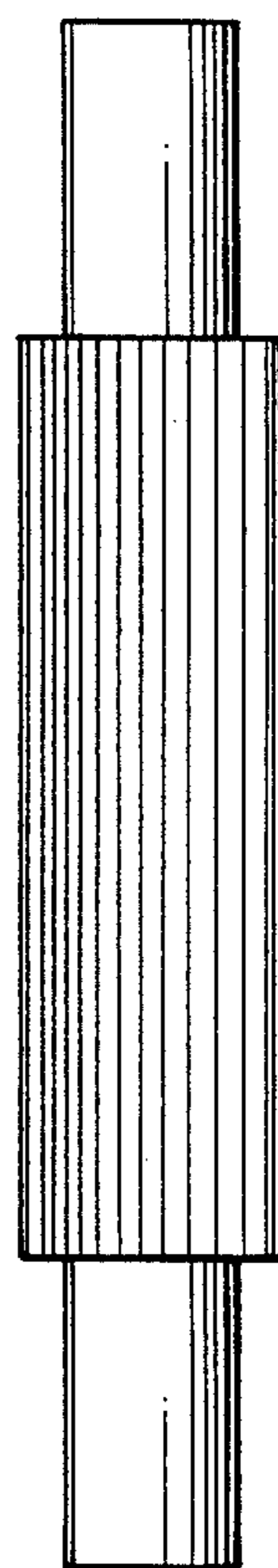


FIG. 27

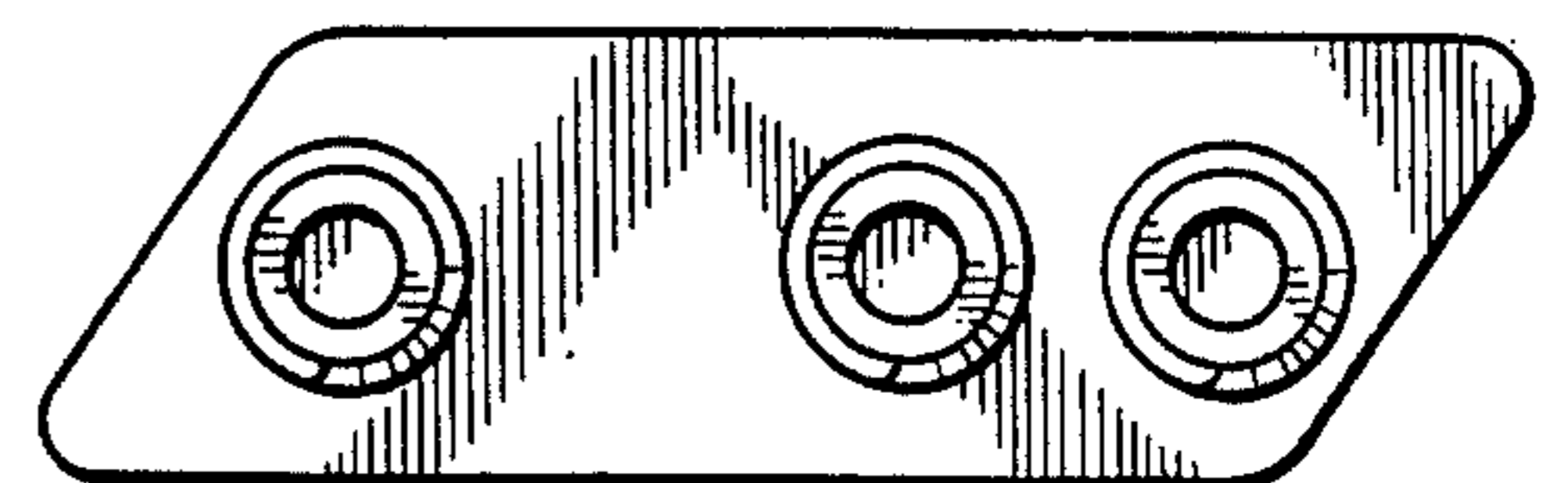


FIG. 29

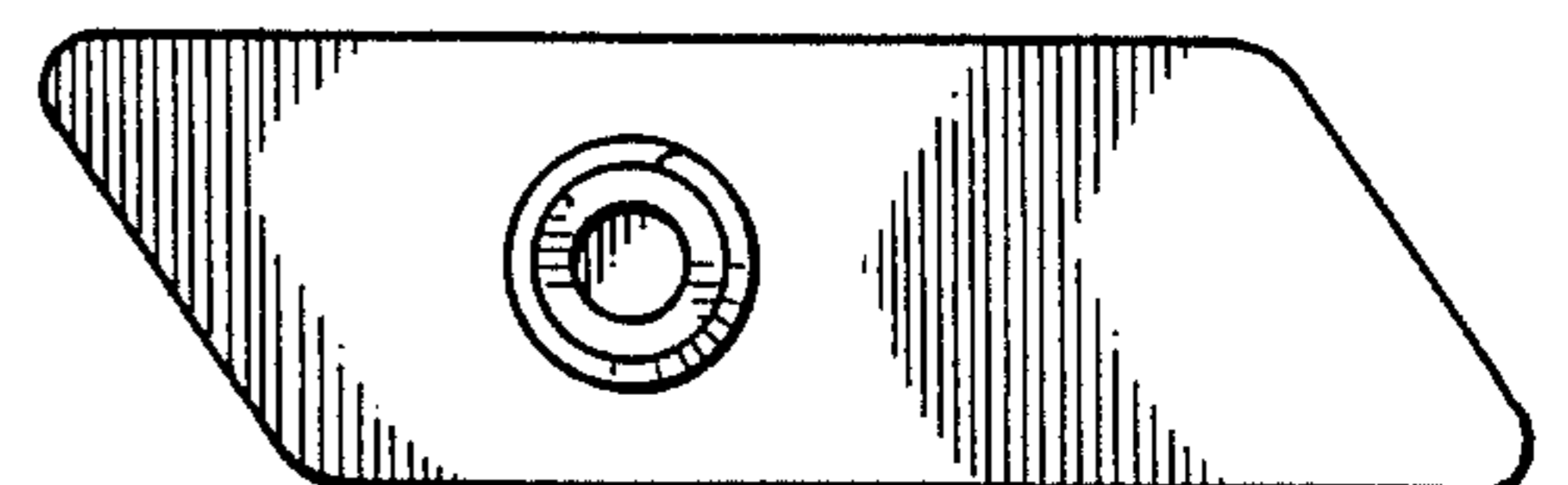


FIG. 30