

[54] **COMBINED CONTAINER/BOTTLE AND COSMETIC WAND APPLICATORS OR THE LIKE**

[75] Inventors: Henry J. Cassai, 163-47 85th St., Howard Beach, N.Y. 11414; Gino H. Cassai, Brooklyn, N.Y.

[73] Assignee: Henry J. Cassai, Howard Beach, N.Y.

[\*\*] Term: 14 Years

[21] Appl. No.: 321,556

[22] Filed: Mar. 10, 1989

**Related U.S. Application Data**

[62] Division of Ser. No. 790,517, Oct. 23, 1985.

[52] U.S. Cl. .... D28/77

[58] Field of Search ..... D28/4-8, D28/61, 73, 76-91.1; D3/39; D9/337, 338, 341, 347, 367, 377, 413; 220/DIG. 26; 206/235, 385, 581, 823; 132/286, 288, 293, 294, 297-301, 303-305, 313-318; D26/38

[56] **References Cited**

**U.S. PATENT DOCUMENTS**

- D. 167,690 9/1952 Hopgood ..... D28/77
- D. 175,315 8/1955 Quandt ..... D26/38 X
- D. 183,674 10/1958 Bav ..... D28/7

**FOREIGN PATENT DOCUMENTS**

2037409 2/1972 Fed. Rep. of Germany .... D28/7 X

Primary Examiner—Louis S. Zarfus

[57] **CLAIM**

The ornamental design for a combined container/bottle and cosmetic wand applicators or the like, as shown and described.

**DESCRIPTION**

FIG. 1 is an exploded front elevational view of a combined container/bottle and cosmetic wand applicators or the like showing our new design. Its rear view being a mirror image;

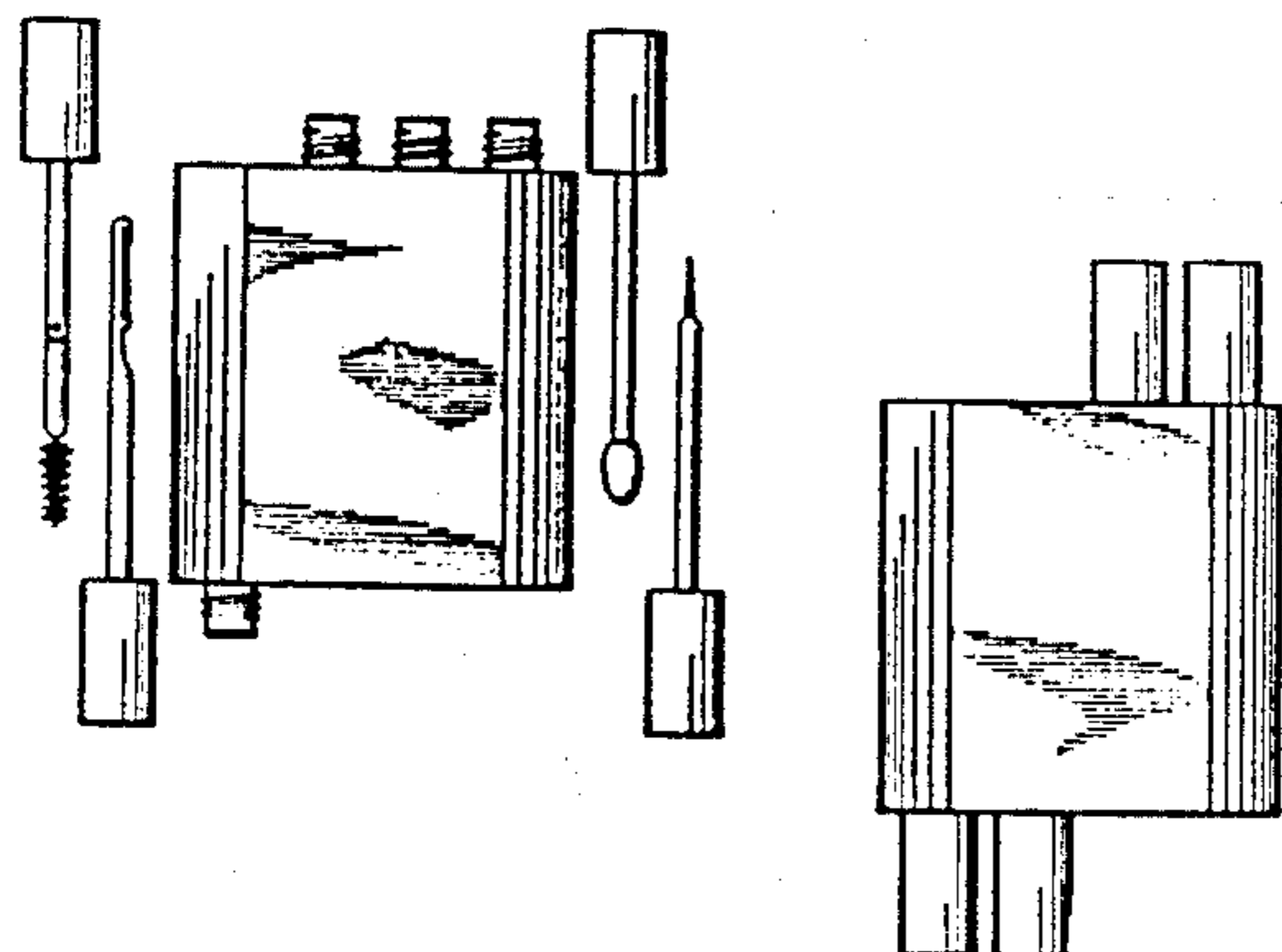


FIG. 2 is another front elevational view with applicator caps on. Its rear view being a mirror image;

FIG. 3 is a side elevational view of FIG. 2, its opposite side being the same;

FIG. 4 is a partially exploded side elevational view showing a second embodiment of our new design wherein the applicator caps have been modified;

FIG. 5 is a top plan view of FIG. 1;

FIG. 6 is a bottom plan view thereof;

FIG. 7 is an exploded front elevational view of a combined container/bottle and cosmetic wand applicators or the like showing a third embodiment of our new design; its rear view being a mirror image;

FIG. 8 is a front elevational view with applicator caps on. Its rear view being a mirror image;

FIG. 9 is a side elevational view of FIG. 8, its opposite side being the same;

FIG. 10 is a partially exploded side elevational view showing a fourth embodiment of our new design wherein the applicator caps have been modified;

FIG. 11 is a top plan view of FIG. 7;

FIG. 12 is a bottom plan view thereof;

FIG. 13 is an exploded front elevational view of a combined container/bottle and cosmetic wand applicators or the like showing a fifth embodiment of our new design;

FIG. 14 is a front elevational view with caps on. Its rear view being a mirror image;

FIG. 15 is a side elevational view of FIG. 14. Its opposite side being the same;

FIG. 16 is a partially exploded side elevational view showing a sixth embodiment of our new design wherein the applicator caps have been modified;

FIG. 17 is a top plan view of FIG. 13;

FIG. 18 is a bottom plan view thereof;

FIG. 19 is an exploded front elevational view of a combined container/bottle and cosmetic wand applicators or the like showing a seventh embodiment of our new design. Its rear view being a mirror image;

FIG. 20 is a front elevational view with applicator caps on. Its rear view being a mirror image;

FIG. 21 is a side elevational view of FIG. 20. Its opposite side being the same;

FIG. 22 is a partially exploded side elevational view showing an eighth embodiment of our new design wherein the applicator caps have been modified;

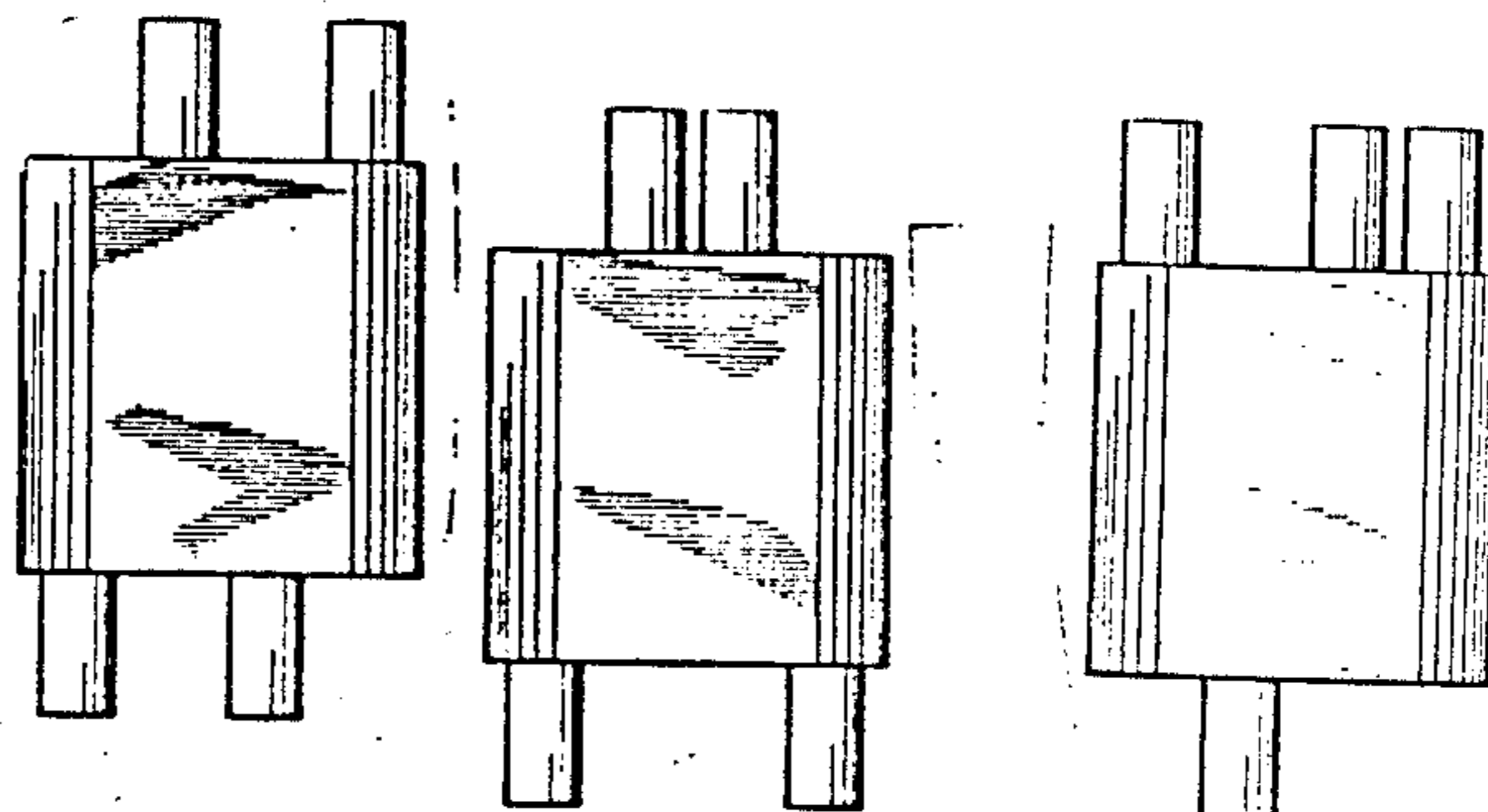
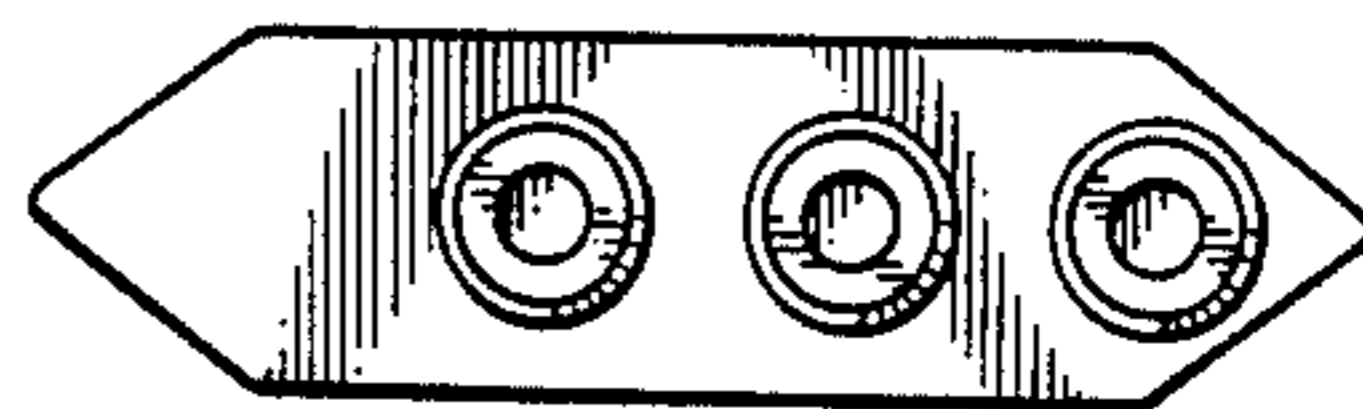


FIG. 23 is a top plan view of FIG. 19;

FIG. 24 is a bottom plan view thereof;

FIG. 25 is an exploded front elevational view of a combined container/bottle and cosmetic wand applicators or the like showing a ninth embodiment of our new design. Its rear view being a mirror image;

FIG. 26 is a front elevational view with applicator caps on. Its rear view being a mirror image;

FIG. 27 is a side elevational view of FIG. 26, its opposite side being the same;

FIG. 28 is a partially exploded side elevational view showing a tenth embodiment of our new design wherein the applicator caps have been modified;

FIG. 29 is a top plan view of FIG. 25; and

FIG. 30 is a bottom plan view thereof.

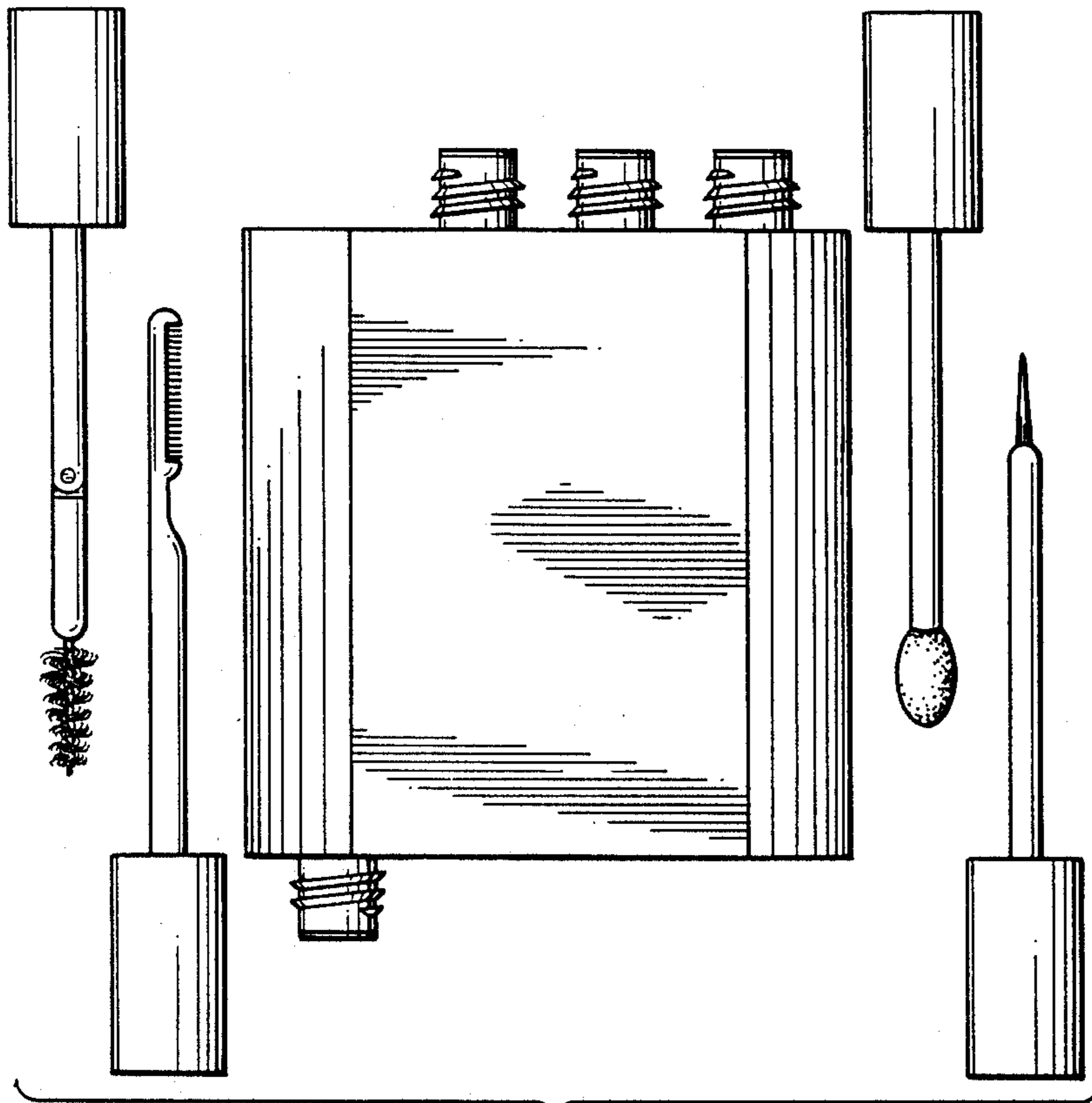


FIG. 1

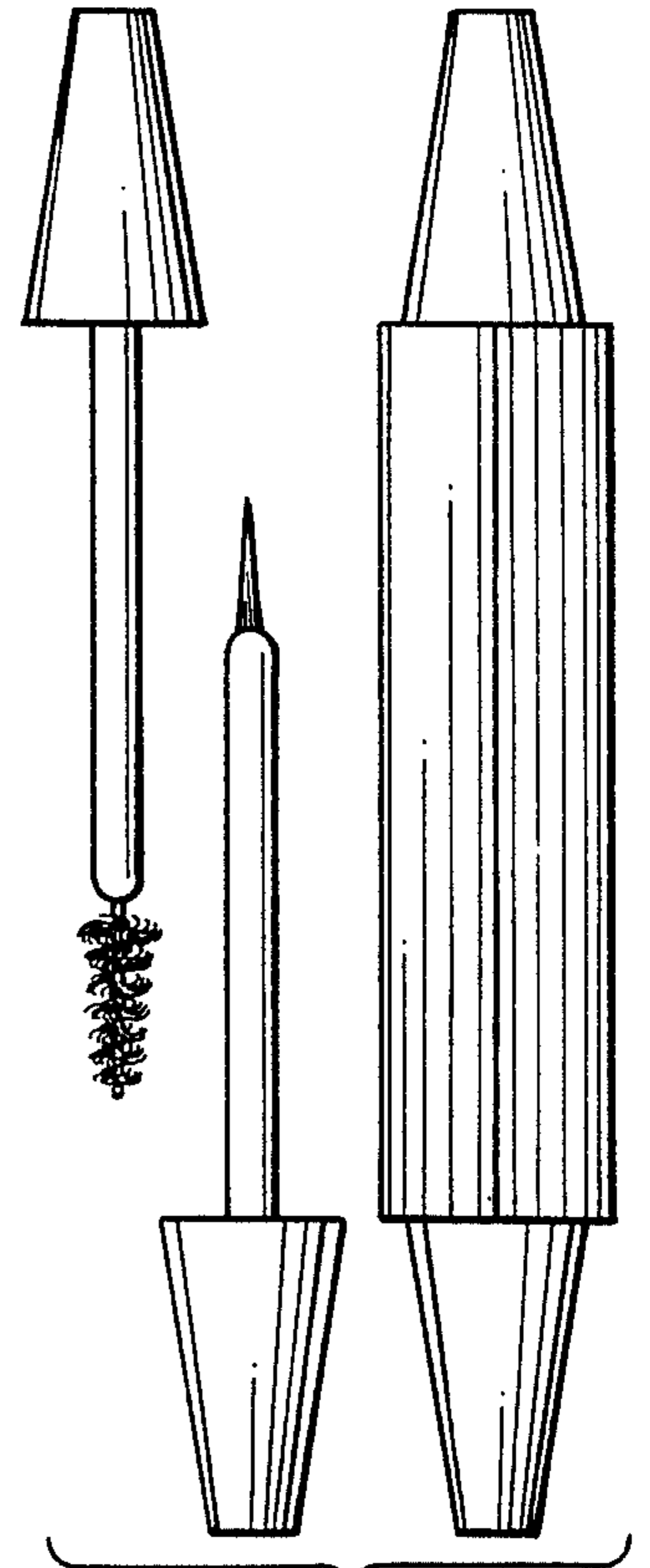


FIG. 4

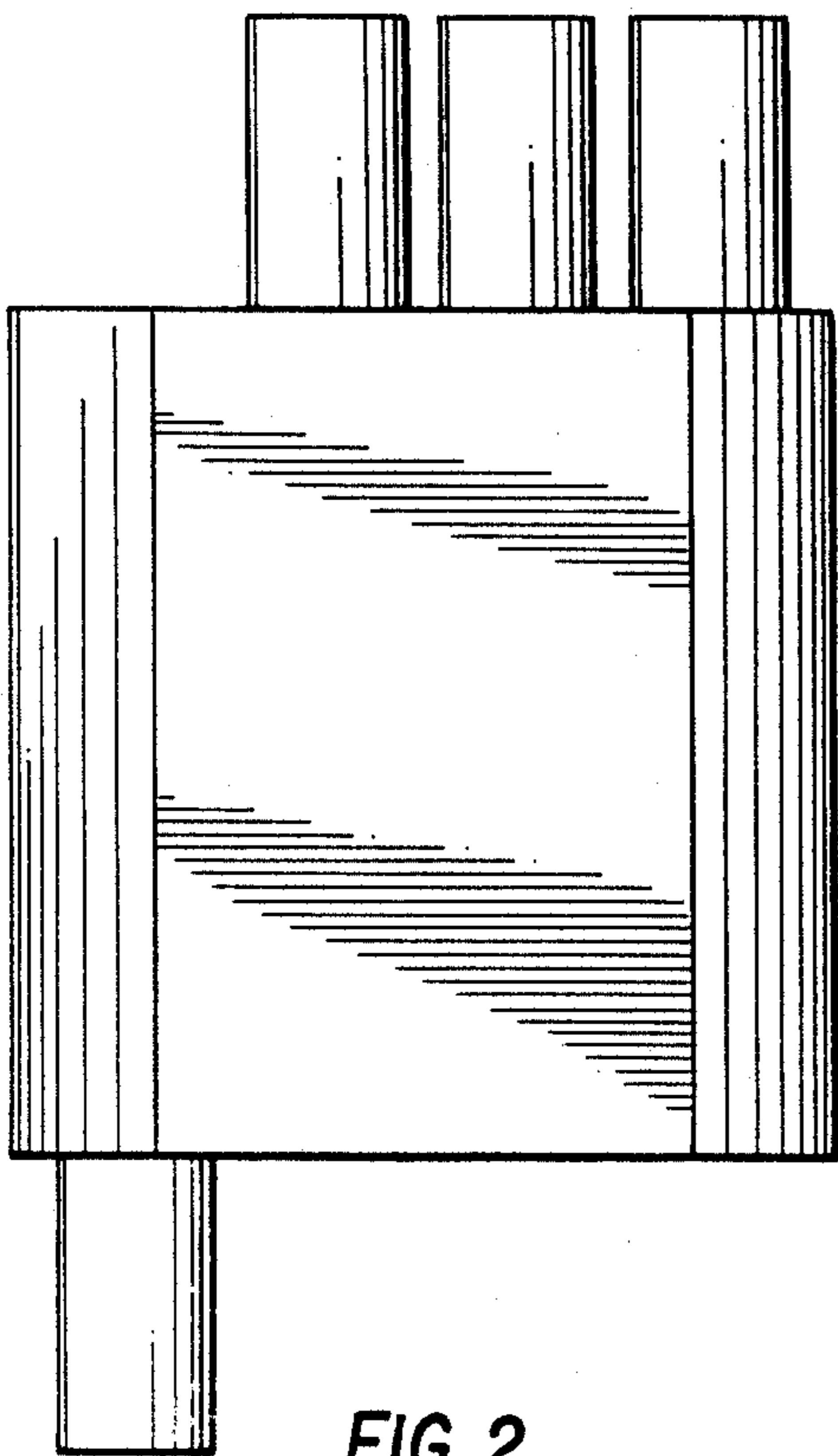


FIG. 2



FIG. 3

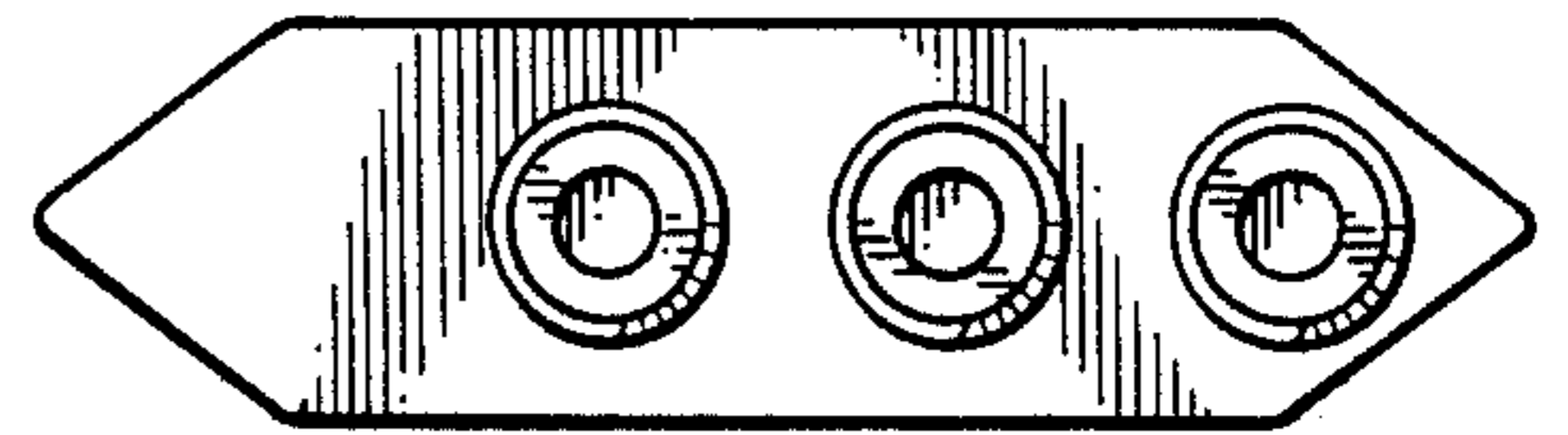


FIG. 5

FIG

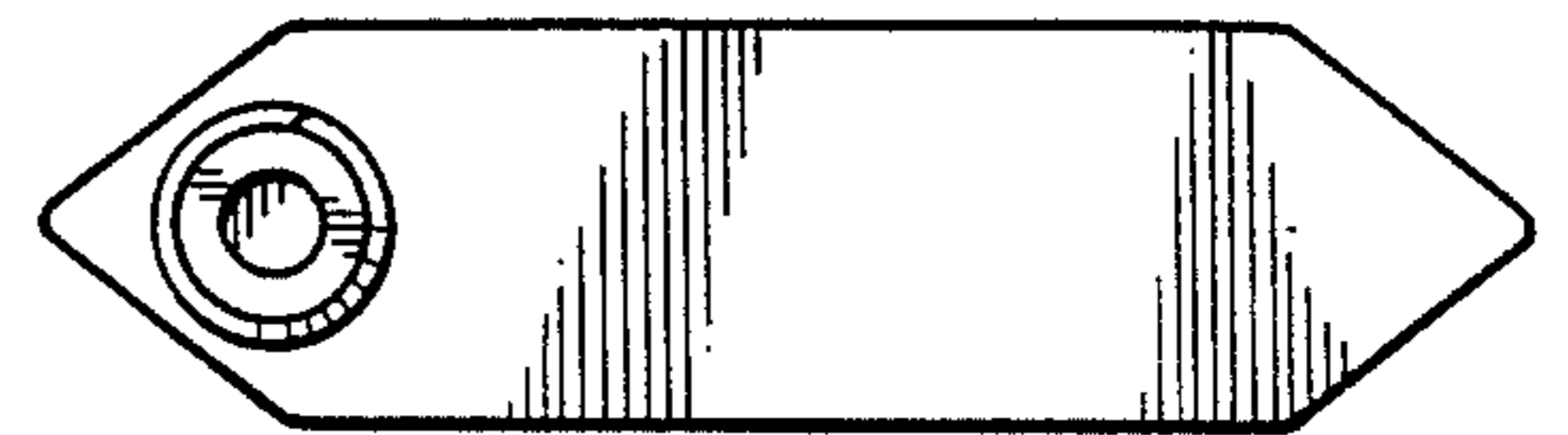


FIG. 6



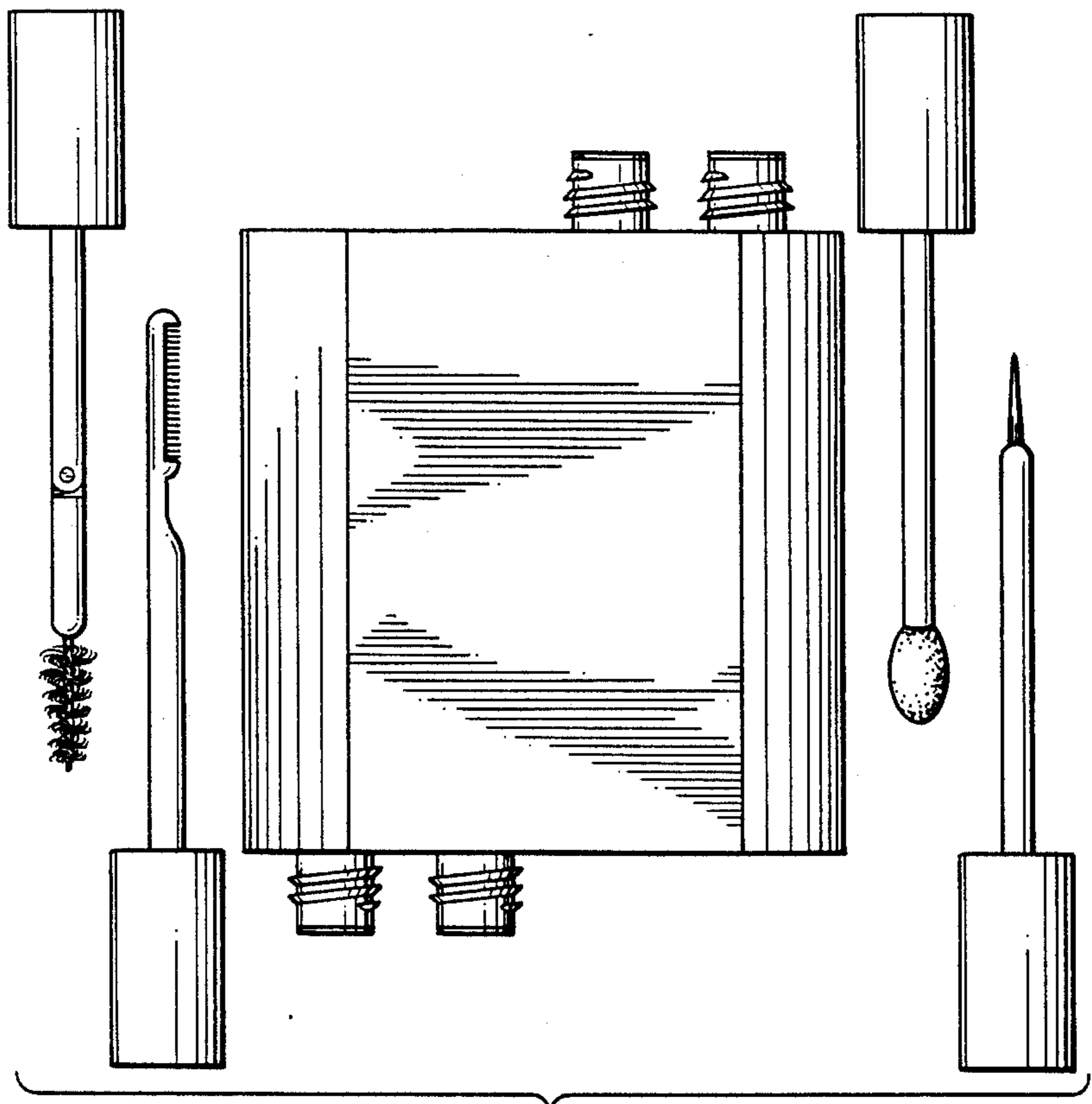


FIG. 7

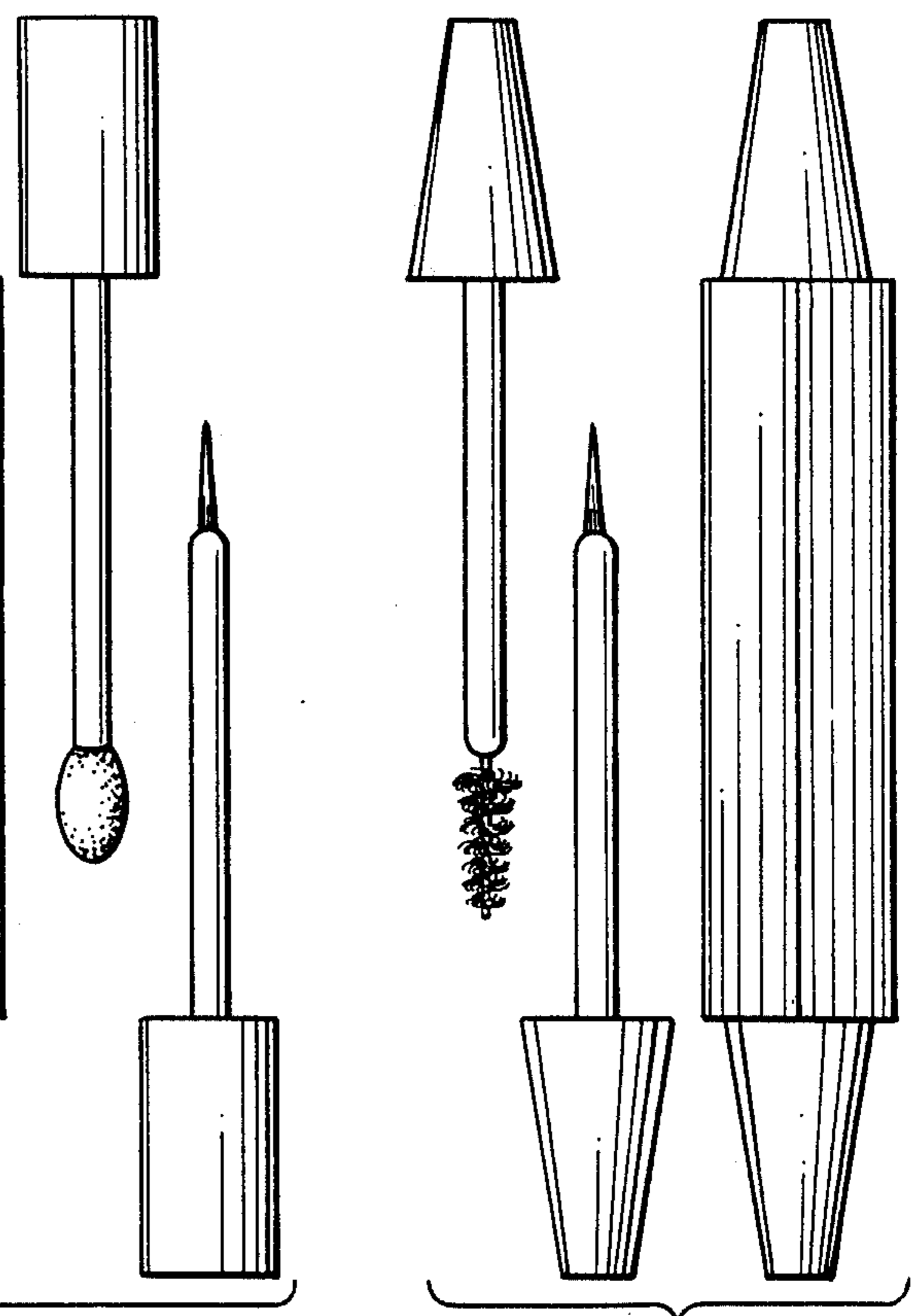


FIG. 10

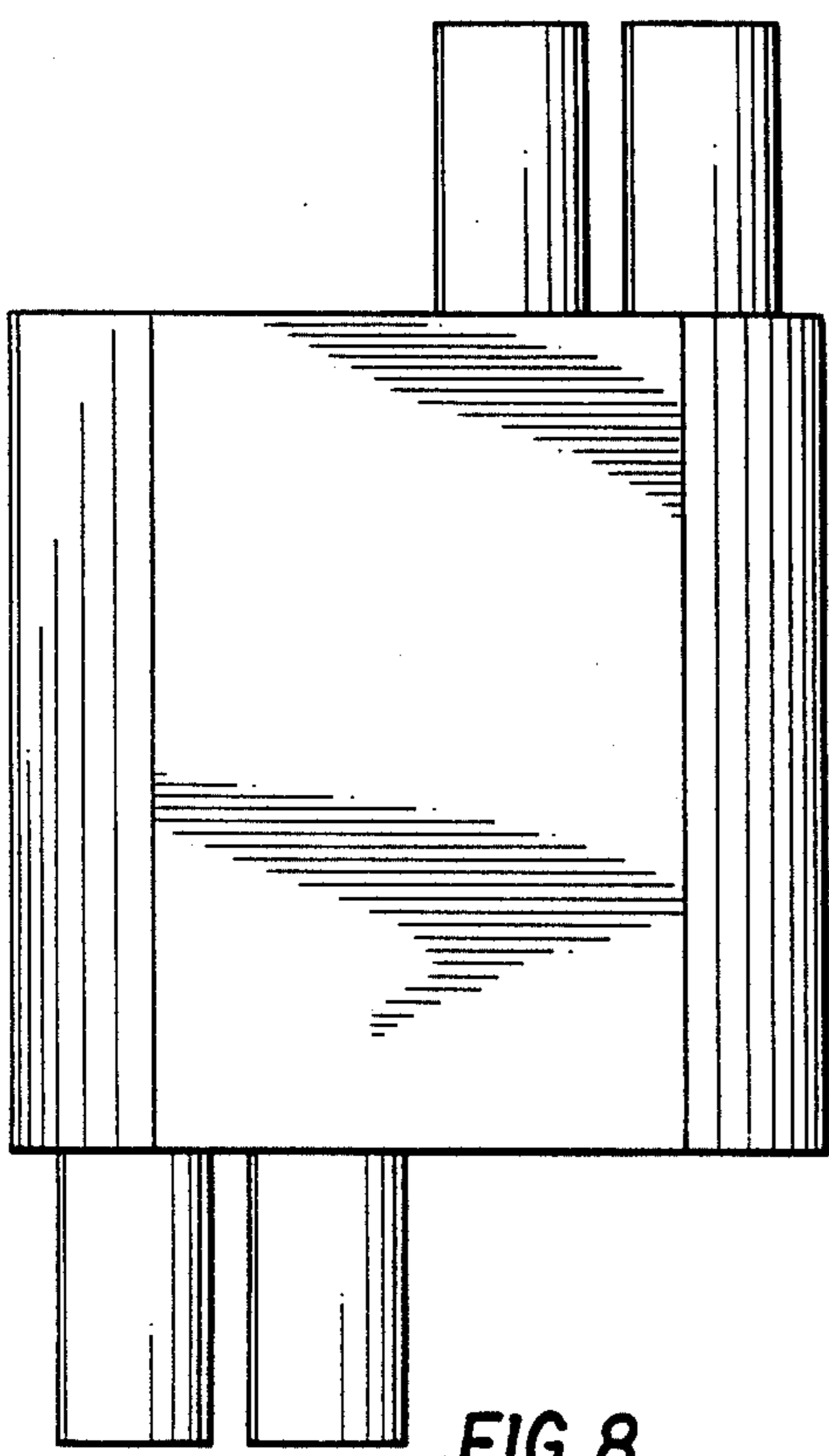


FIG. 8

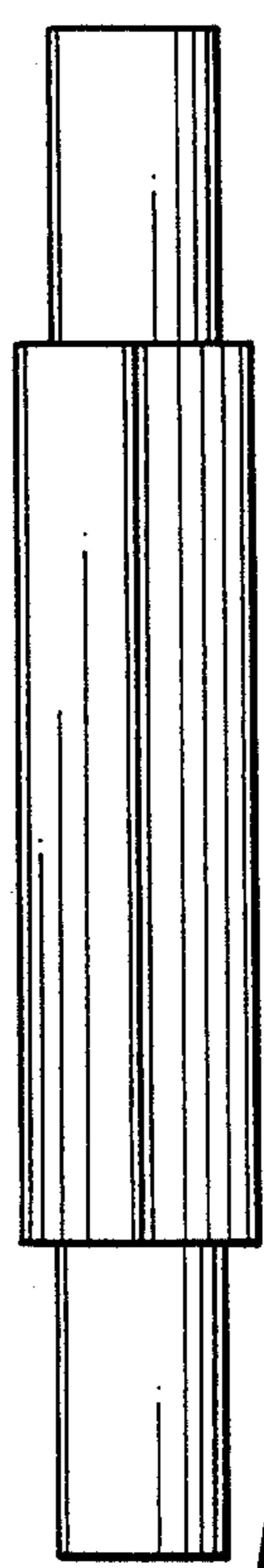


FIG. 9

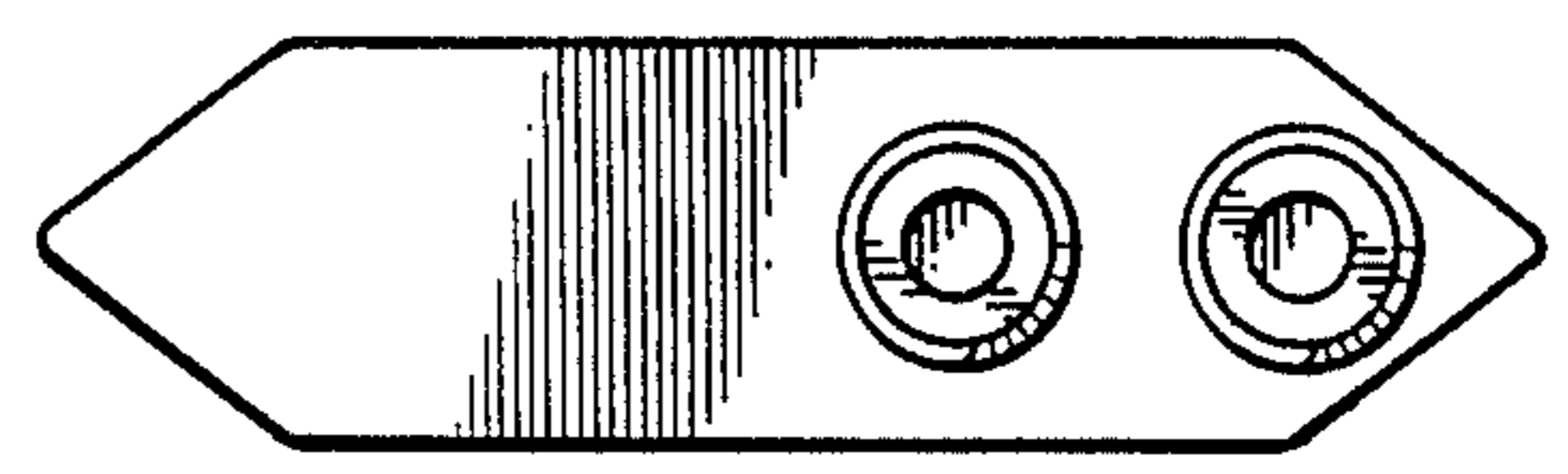


FIG. 11

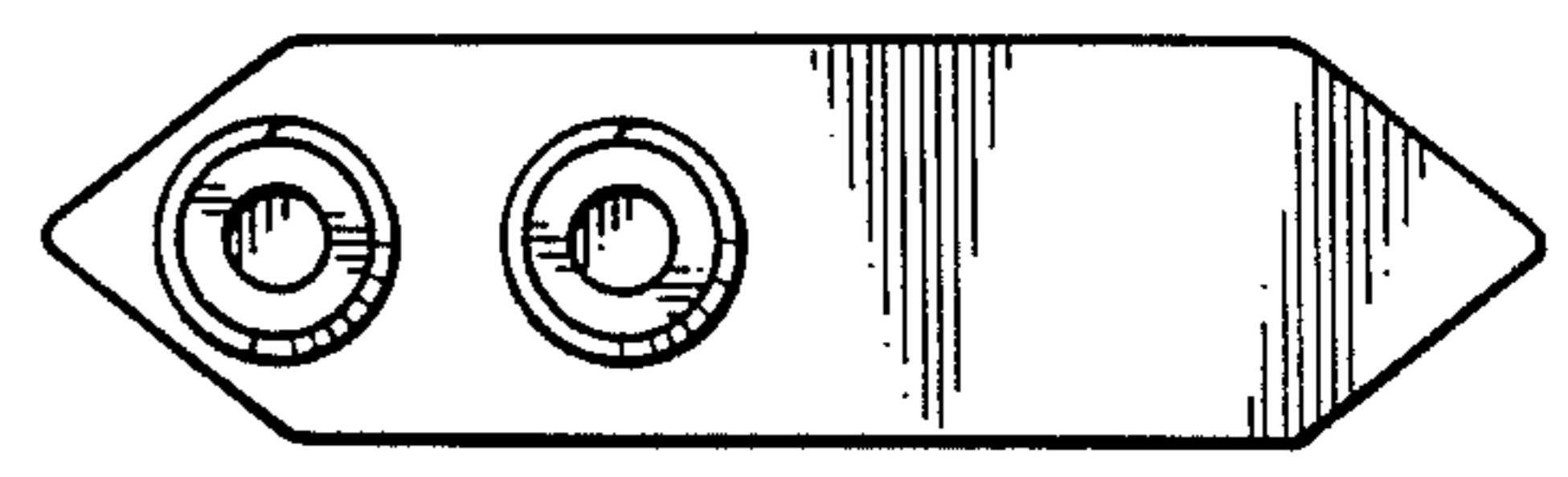


FIG. 12

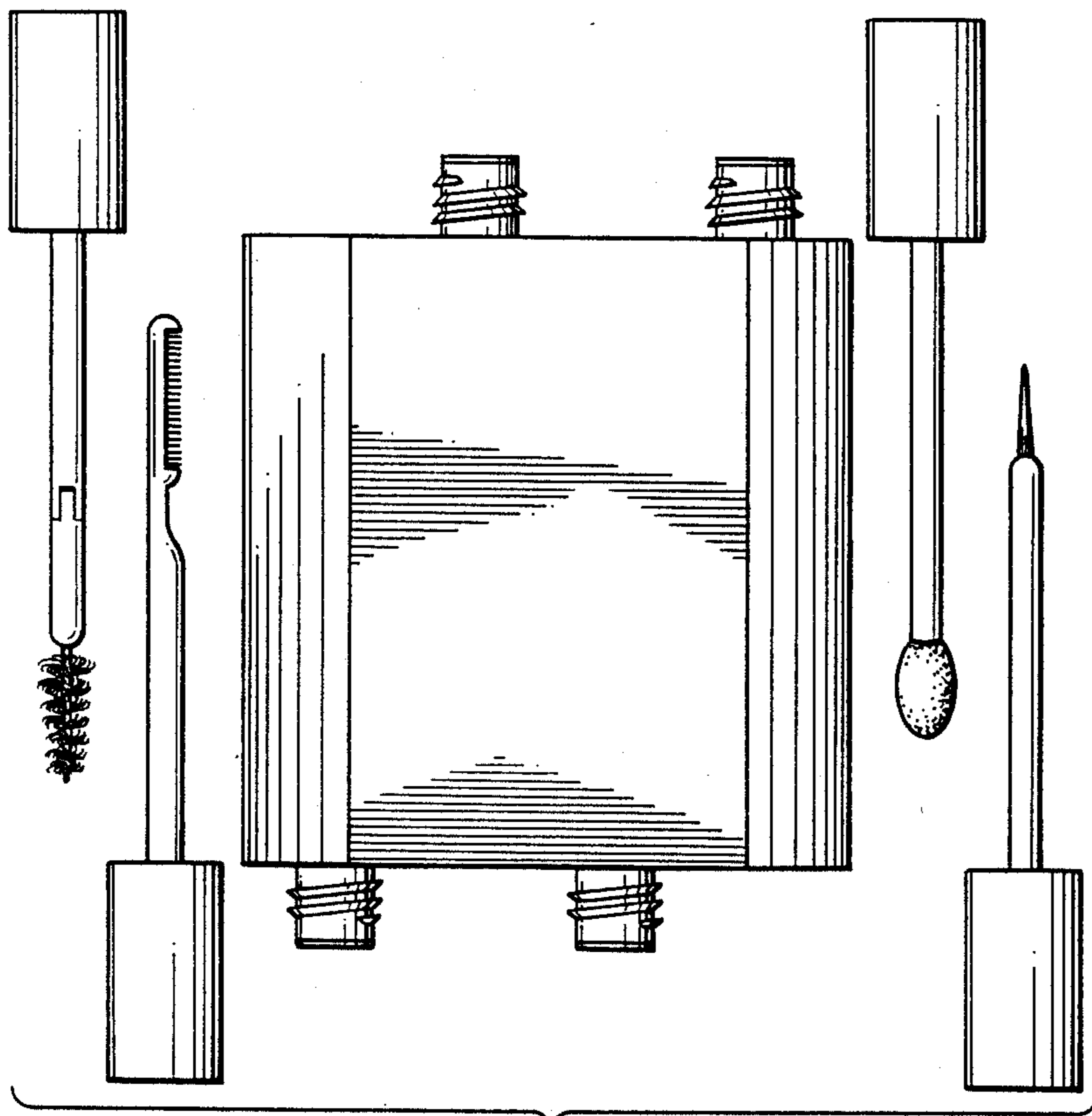


FIG. 13

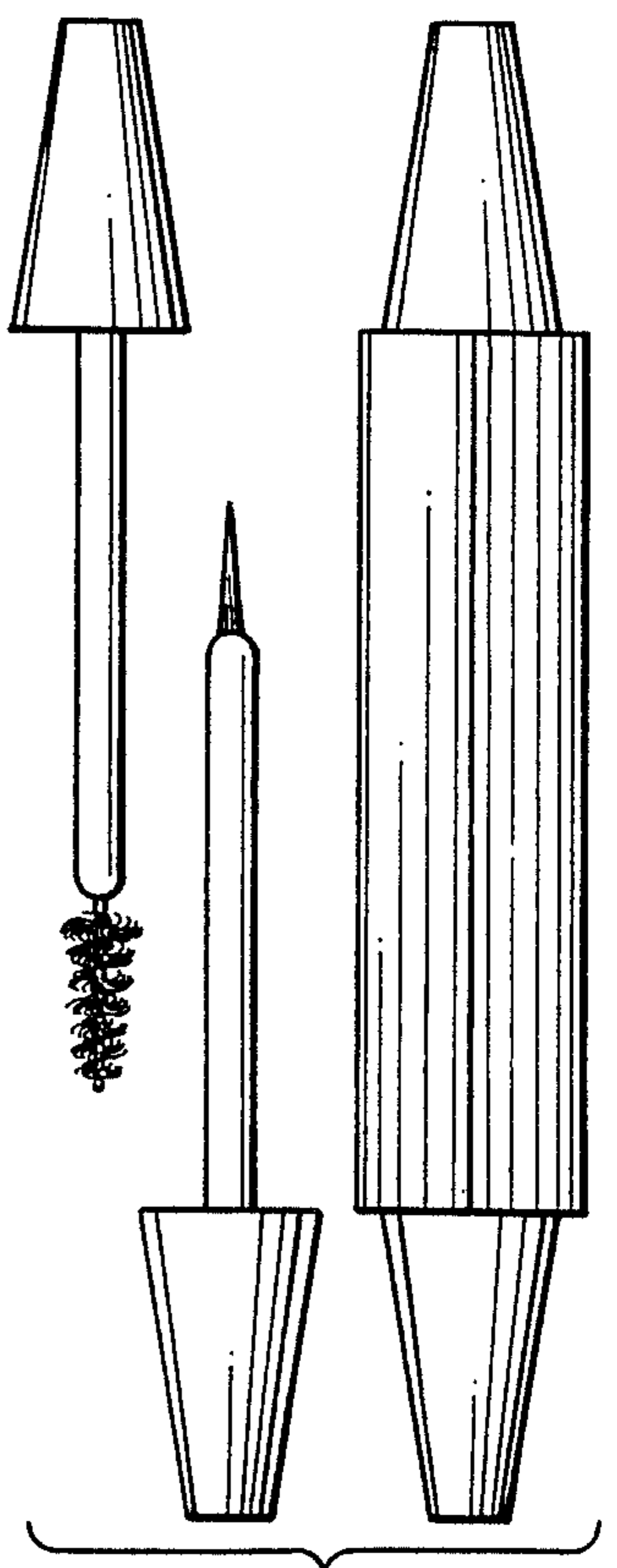


FIG. 16

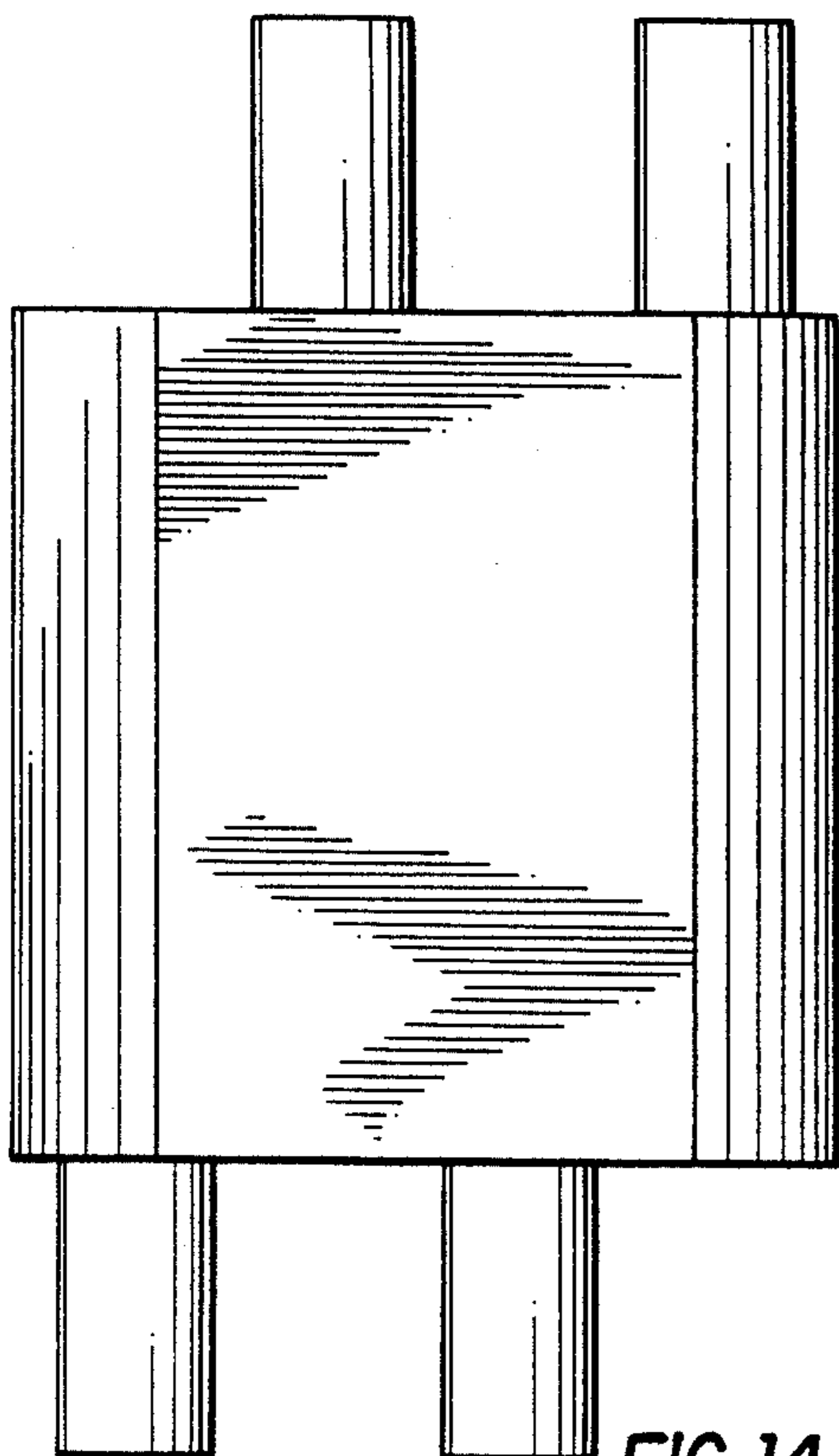


FIG. 14

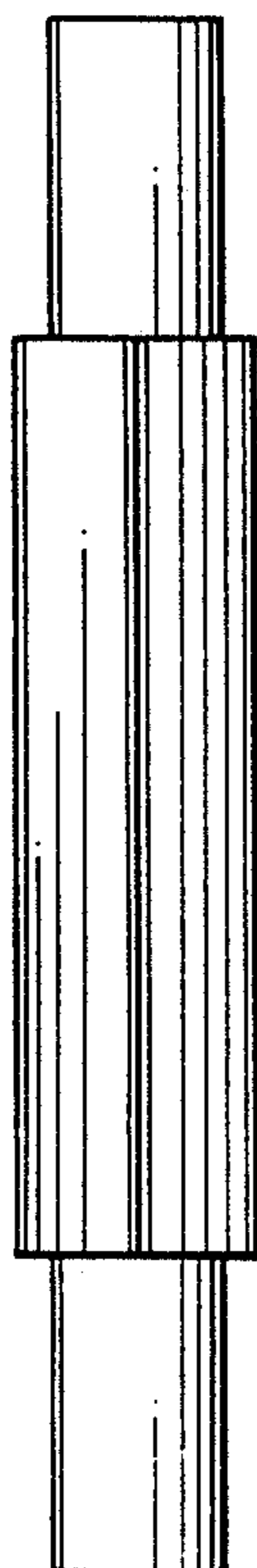


FIG. 15

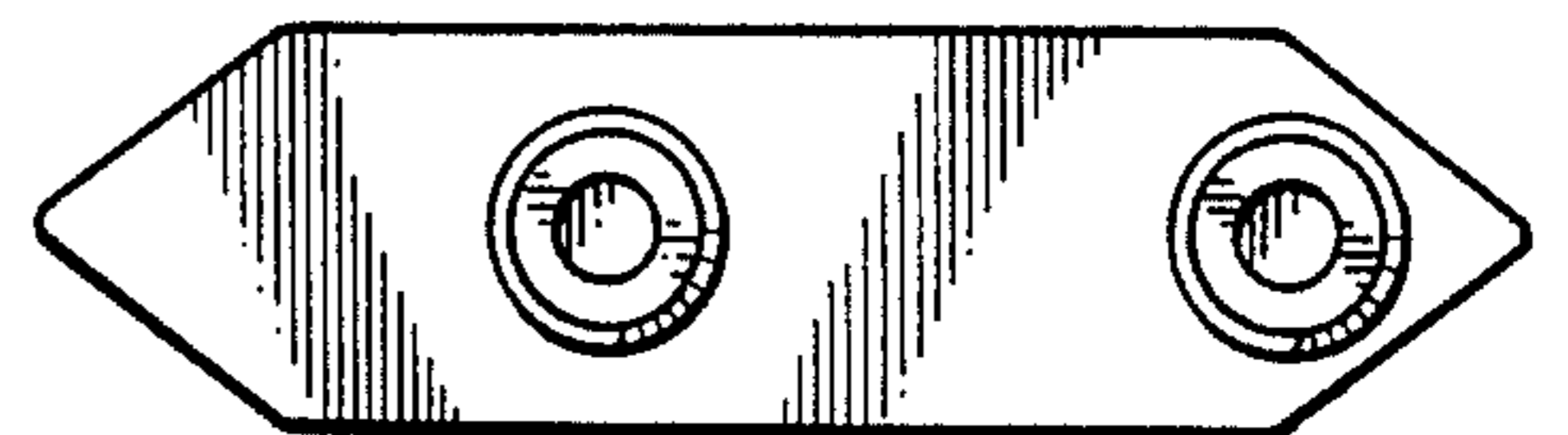


FIG. 17

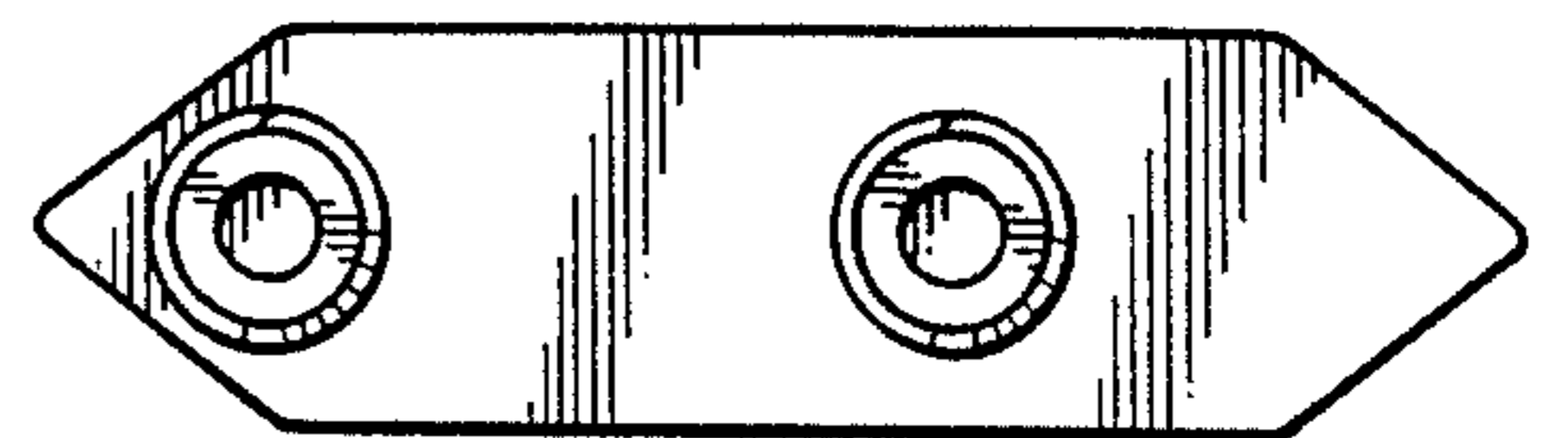


FIG. 18

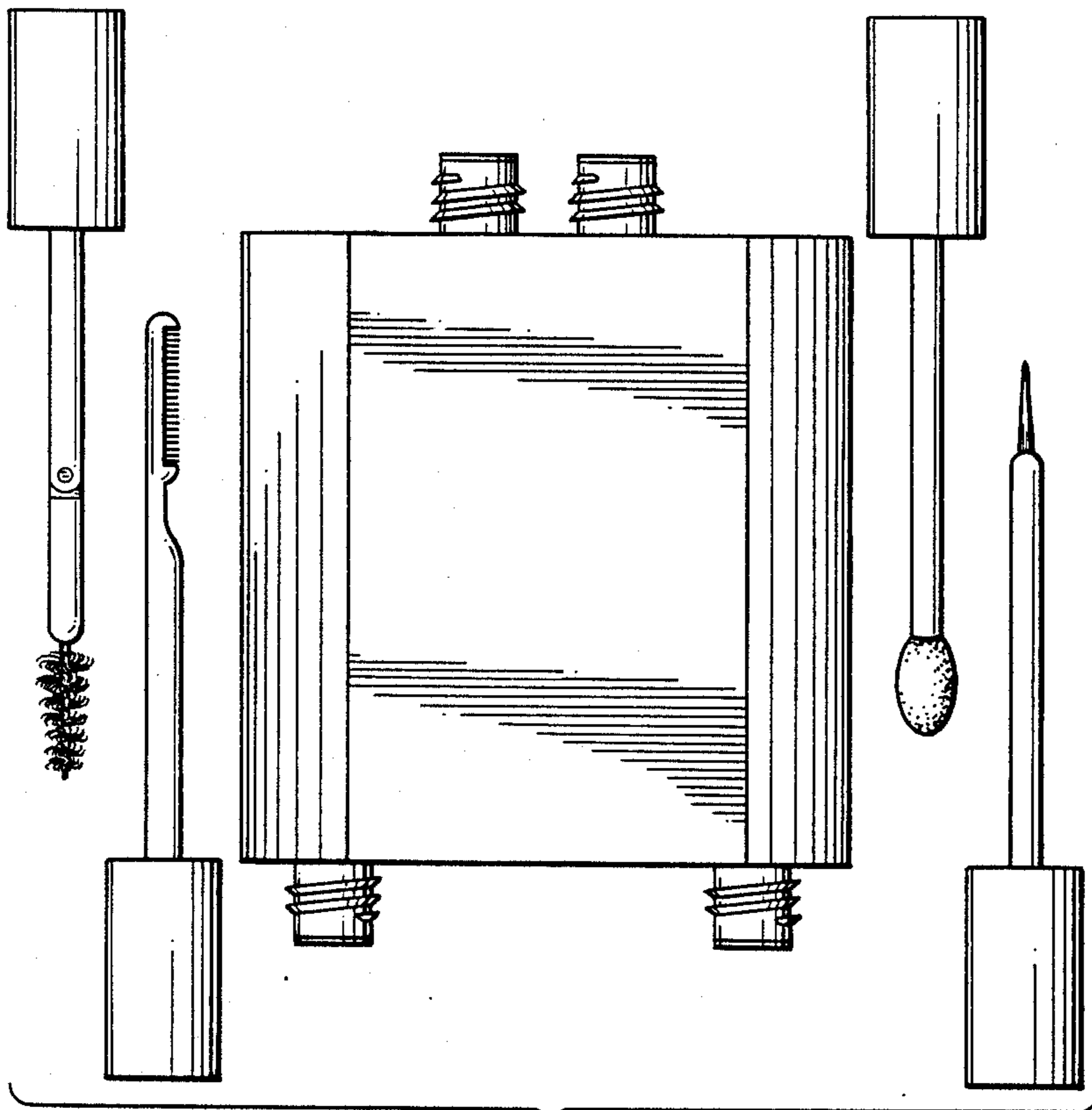


FIG. 19

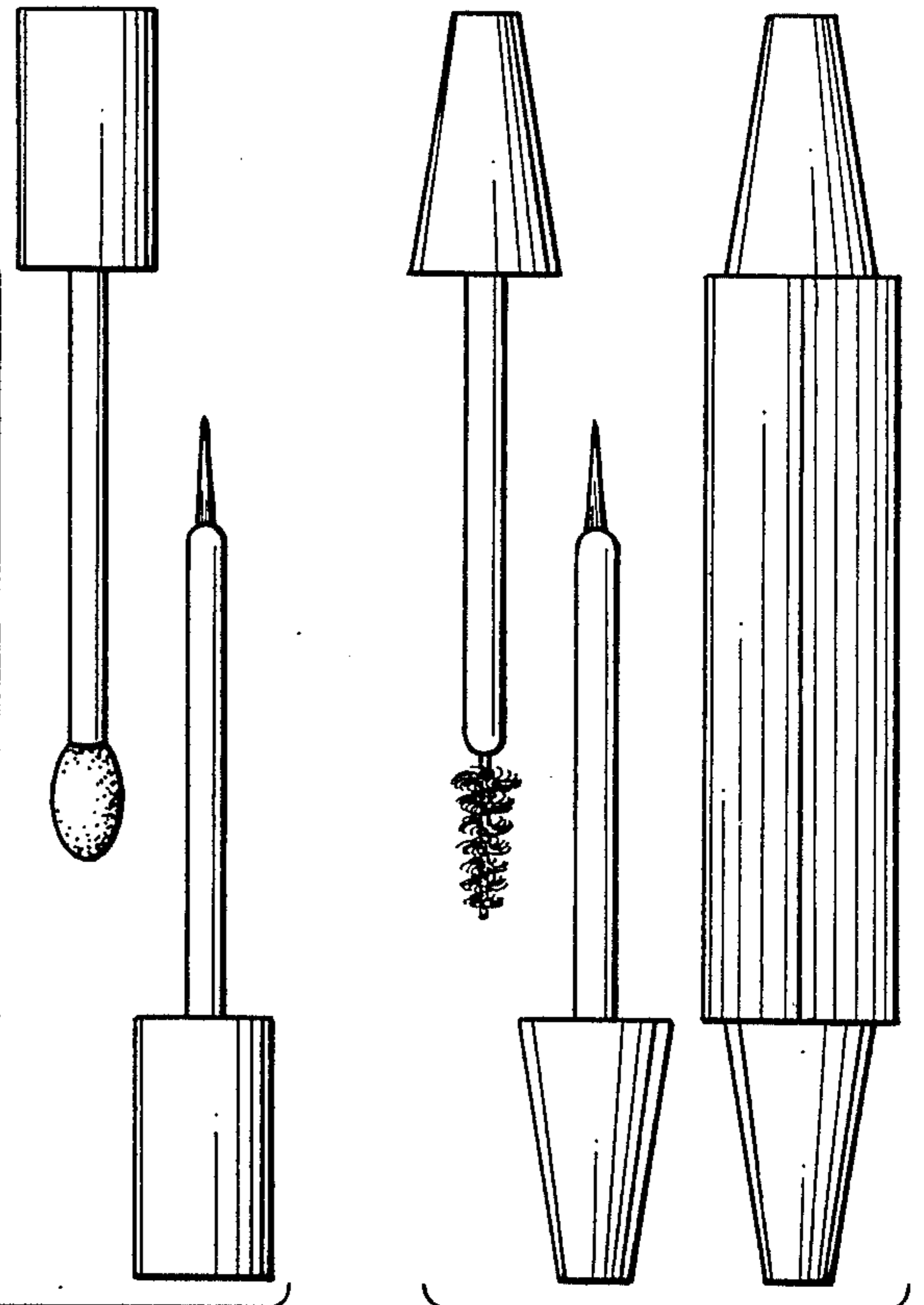


FIG. 22

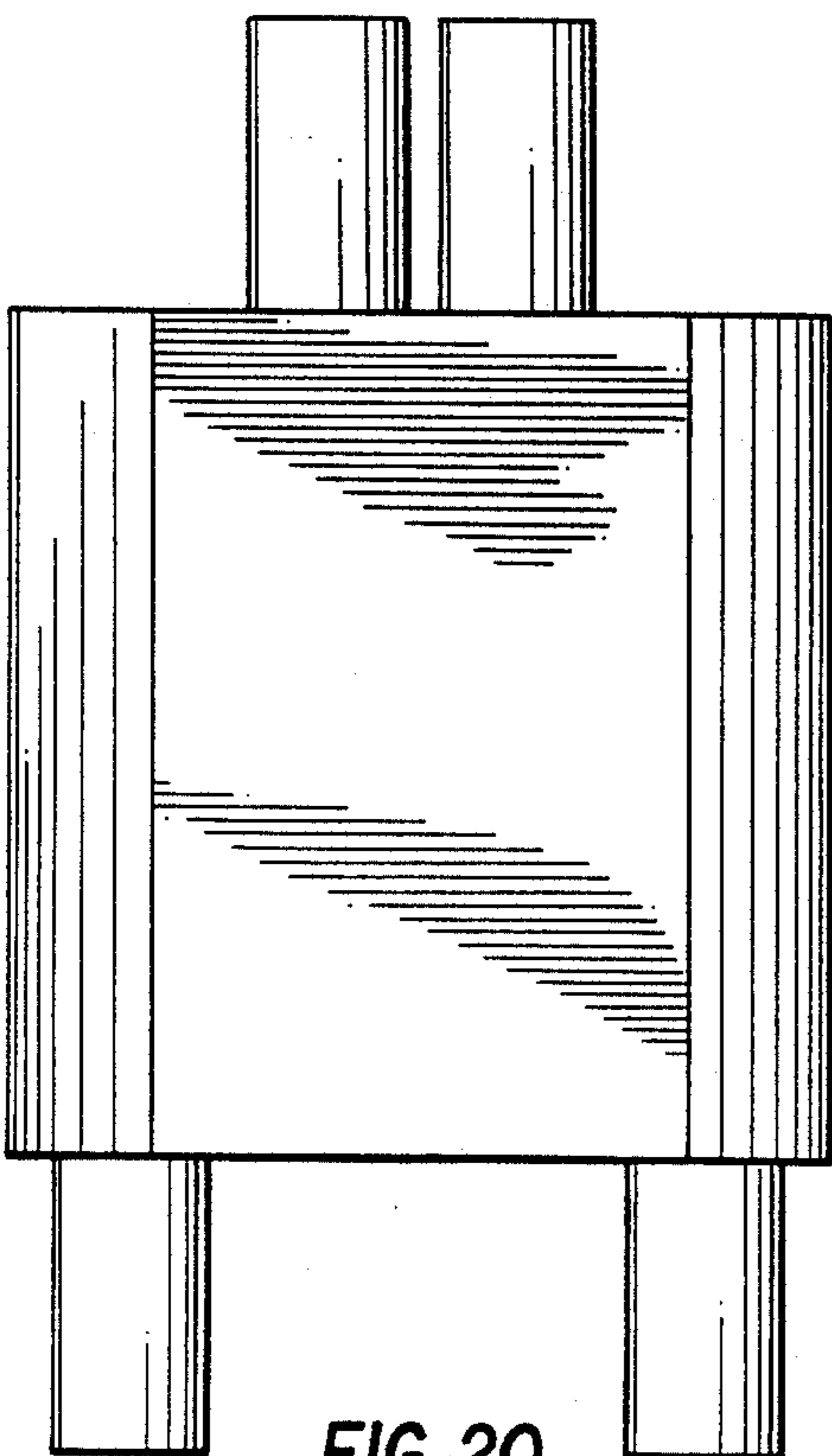


FIG. 20



FIG. 21

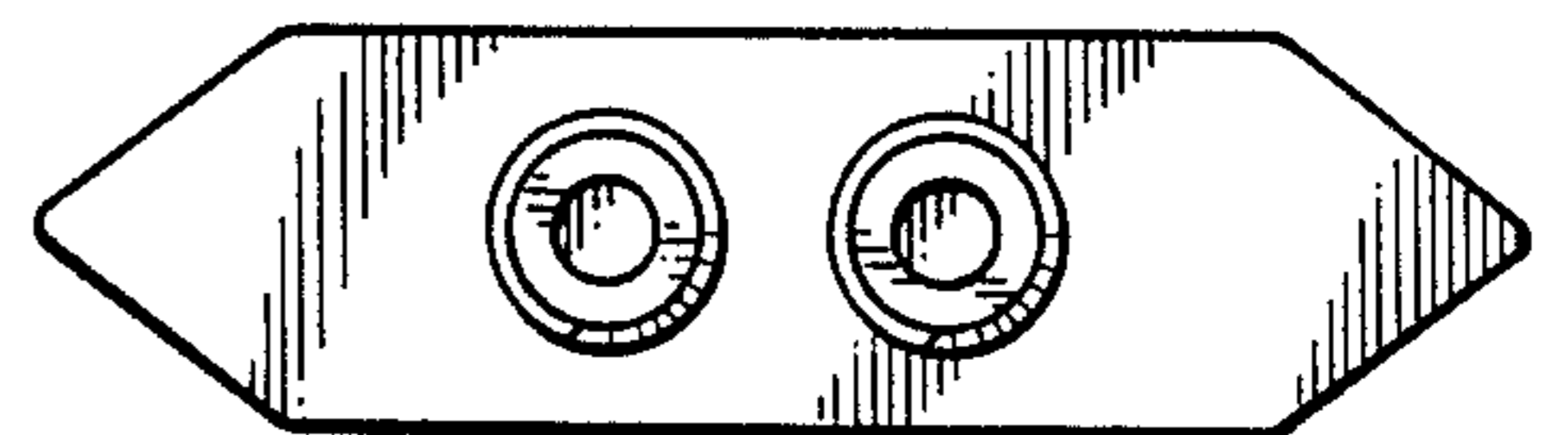


FIG. 23

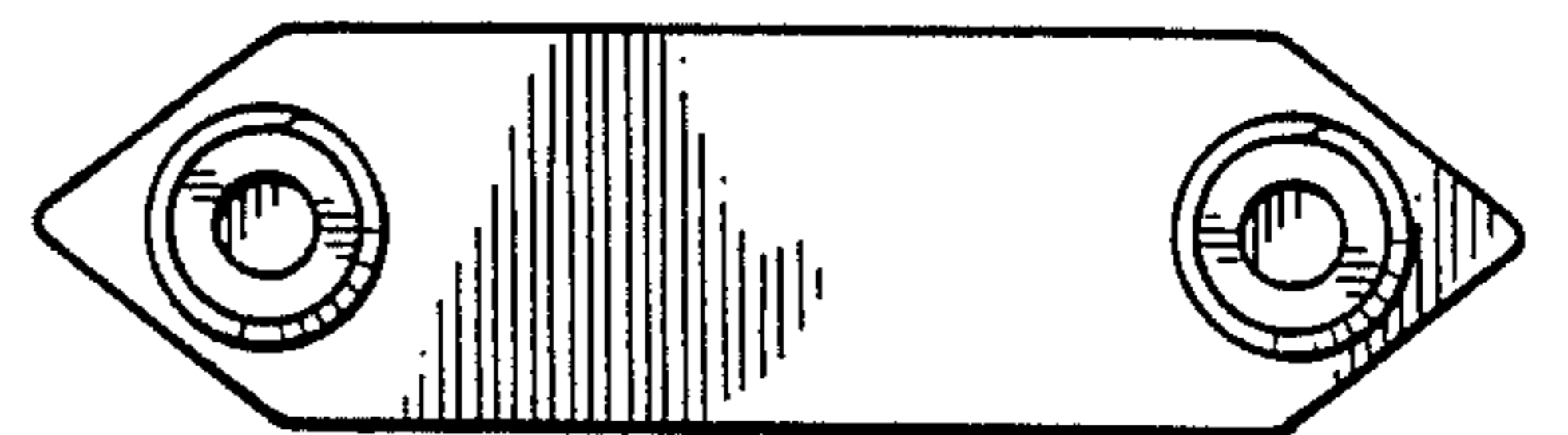


FIG. 24

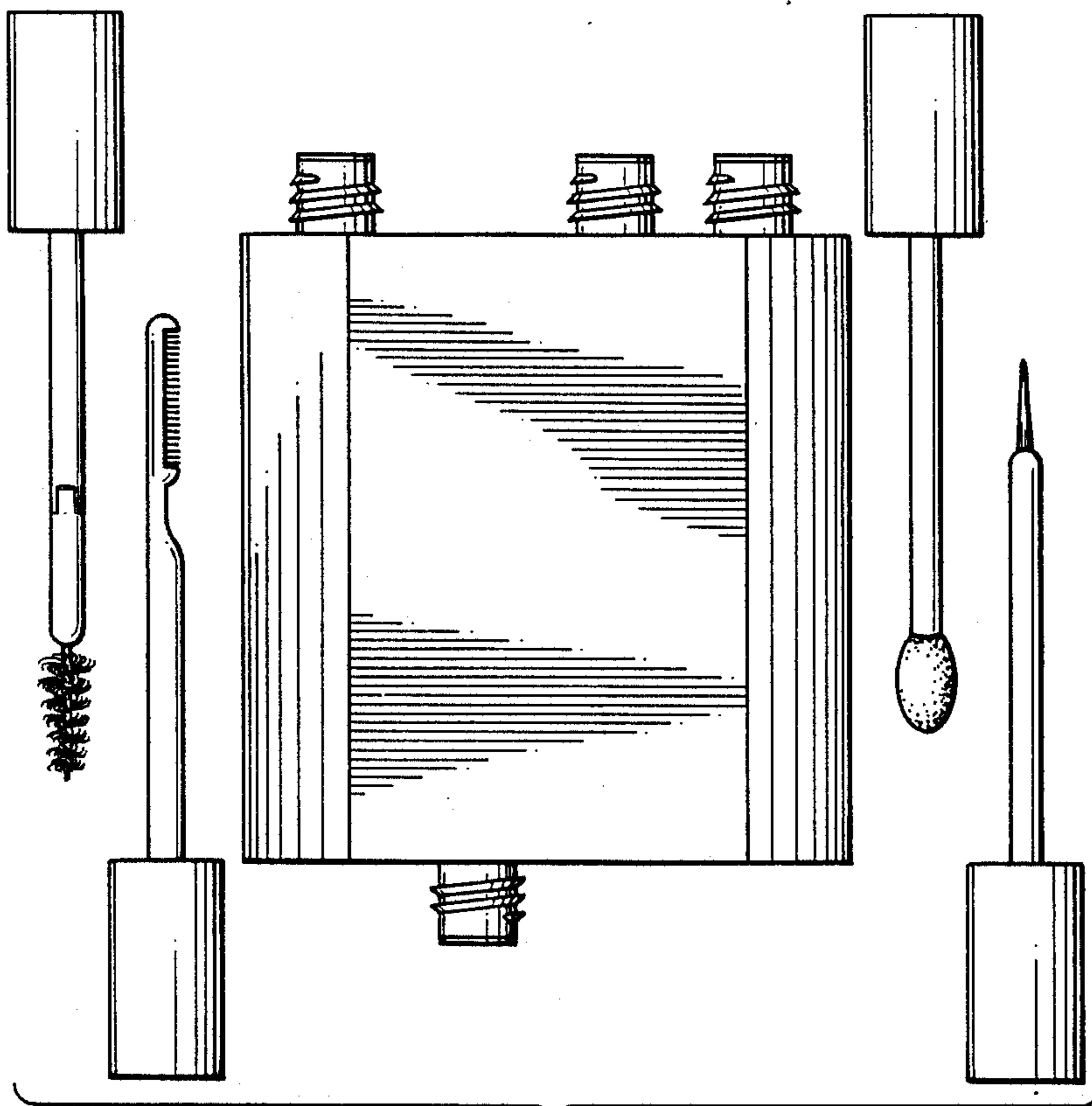


FIG. 25

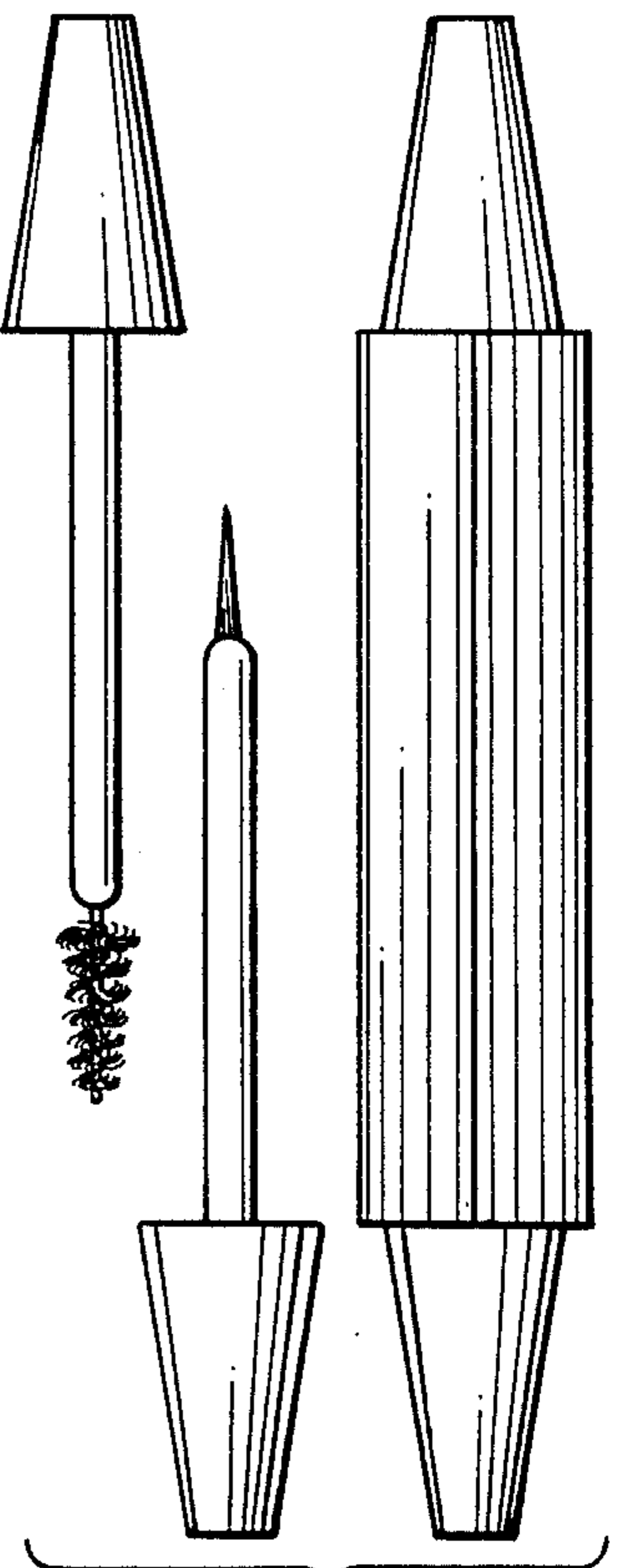


FIG. 28

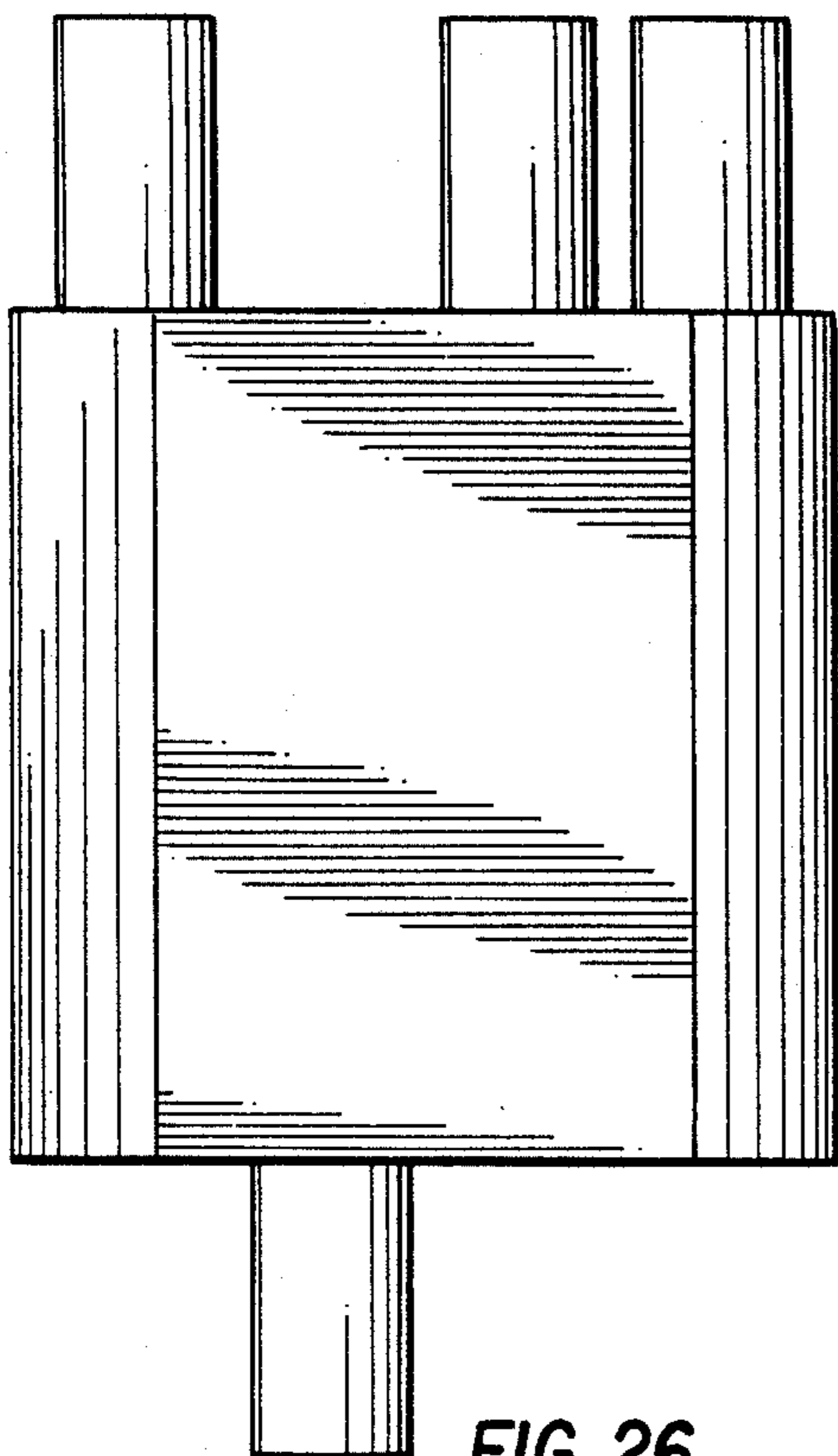


FIG. 26



FIG. 27

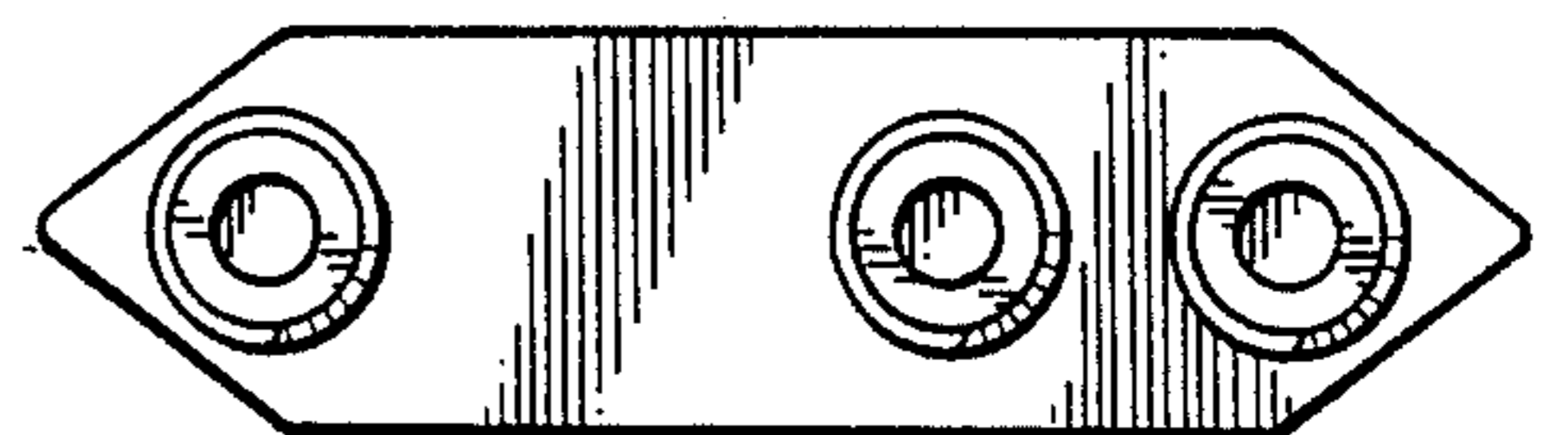


FIG. 29

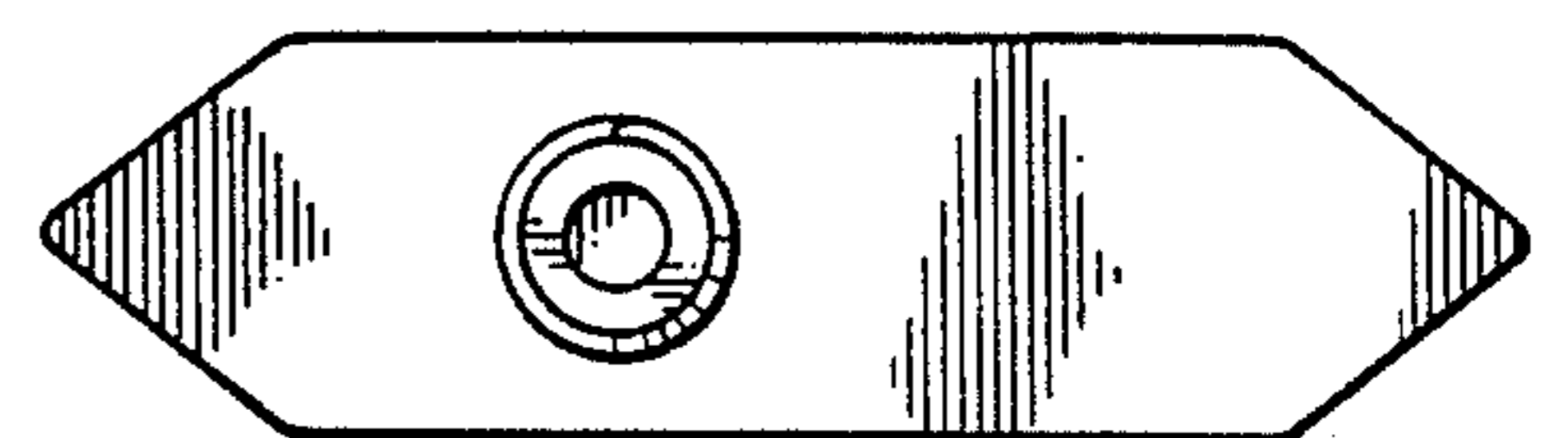


FIG. 30