

[54] EXTERIORLY MOUNTED SUPPORT PLATE FOR A VEHICLE REAR BRAKE LIGHT

Primary Examiner—Susan J. Lucas
Attorney, Agent, or Firm—Learman & McCulloch

[76] Inventor: Steven R. Snow, 586 N. Pine St., Hemlock, Mich. 48626

[57] CLAIM

The ornamental design for an exteriorly mounted support plate for a vehicle rear brake light, as shown and described.

[**] Term: 14 Years

[21] Appl. No.: 38,913

DESCRIPTION

[22] Filed: Jun. 2, 1987

[52] U.S. Cl. D26/138; D8/349

[58] Field of Search D26/28, 29, 34, 35, D26/36, 138, 139, 140; 362/61, 74, 80-83.4; D8/349, 355, 373, 354, 363, 380

FIG. 1 is a top plan view of an exteriorly mounted support plate for a vehicle rear brake light showing my new design;

FIG. 2 is a side elevational view thereof as seen from line 2—2 in FIG. 1;

FIG. 3 is an opposite side elevational view thereof;

FIG. 4 is a bottom plan view thereof;

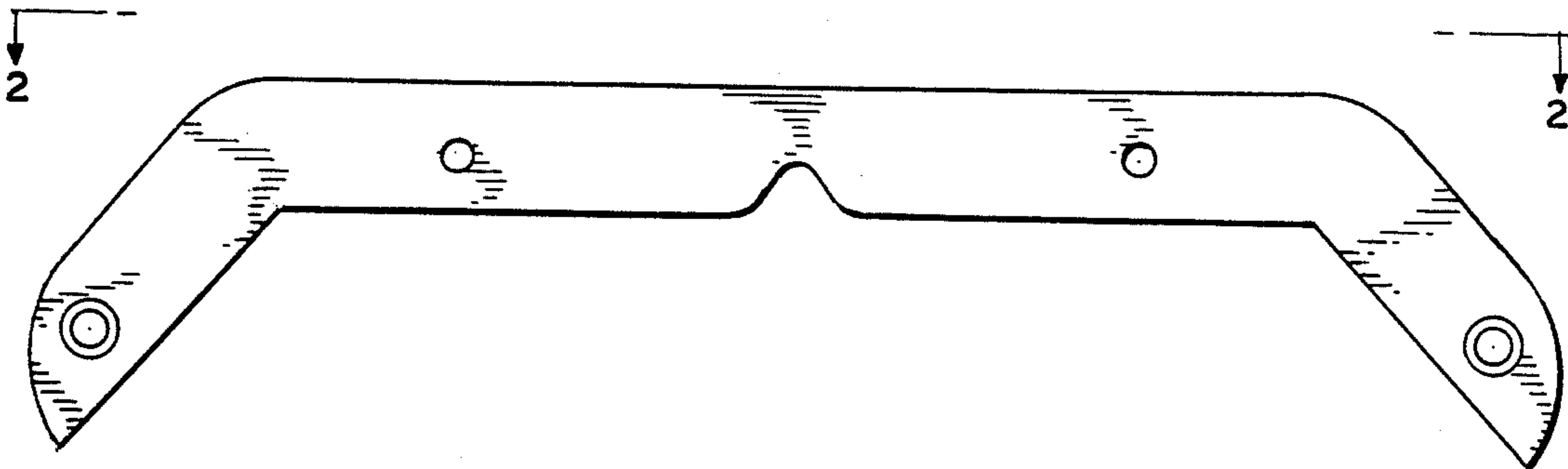
FIG. 5 is an end elevational view thereof, the opposite end being identical; and

FIG. 6 is a bottom perspective view thereof on a reduced scale.

[56] References Cited

U.S. PATENT DOCUMENTS

- D. 31,280 7/1899 Arnold D26/138
- D. 259,242 5/1981 Gilb D8/373
- D. 280,595 9/1985 Wilk D8/349 X



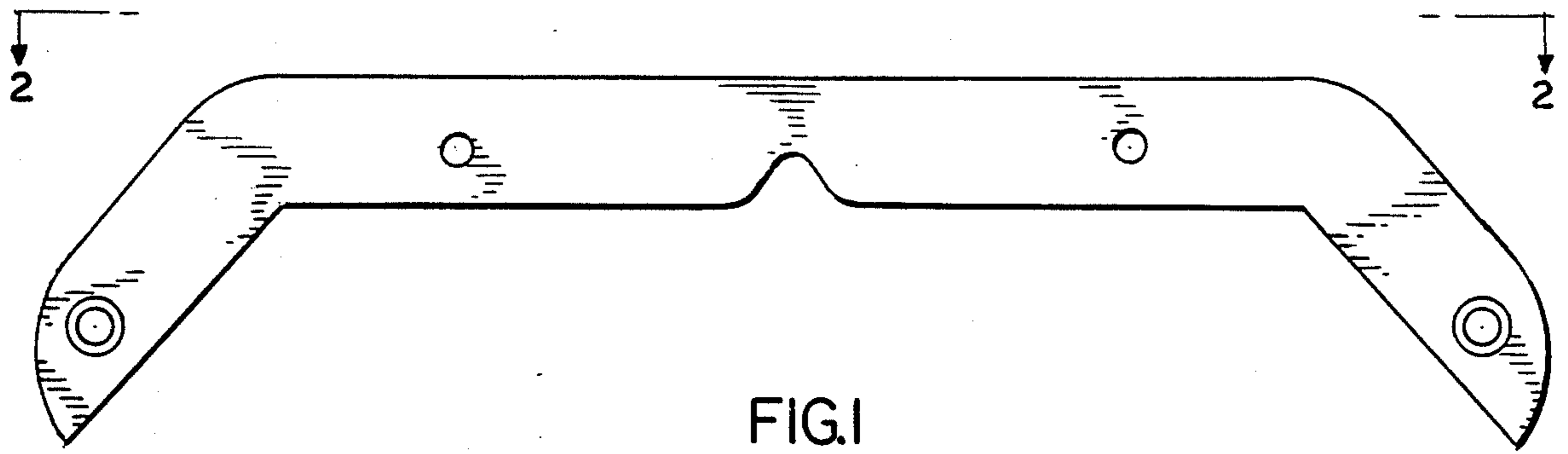


FIG. 2



FIG. 3

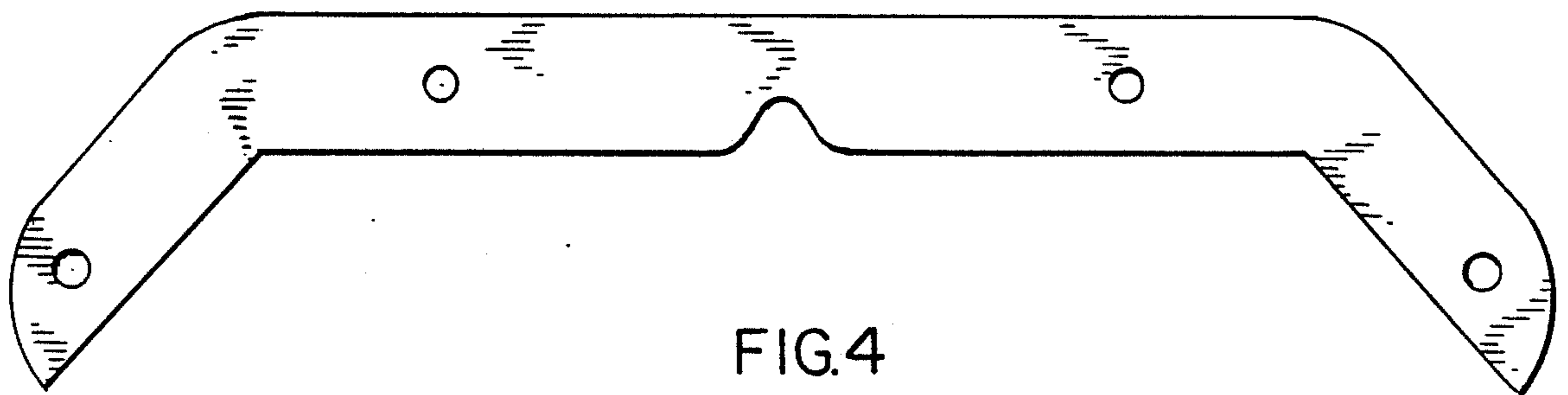


FIG. 4



FIG. 5

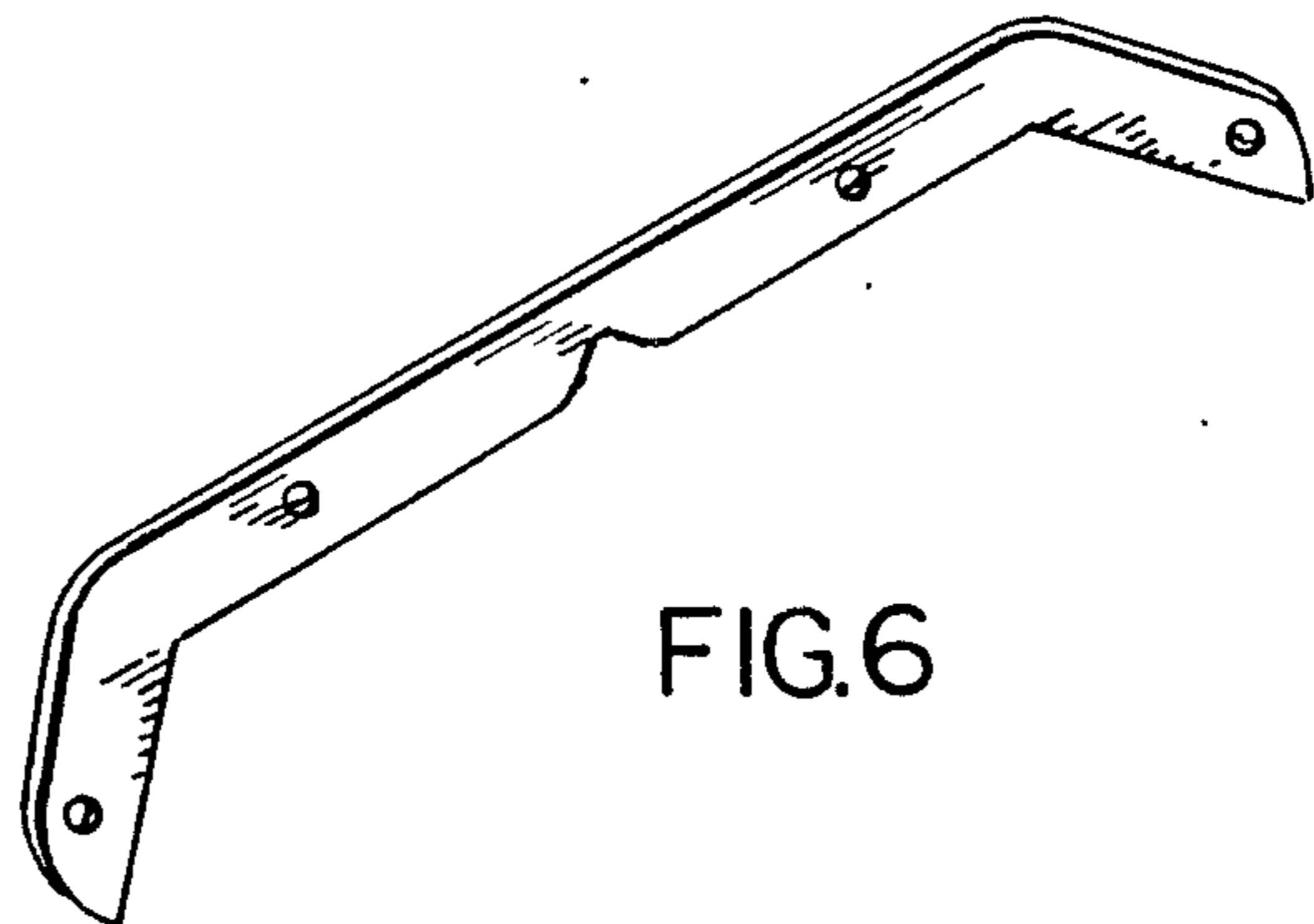


FIG. 6