

[54] SPRAY GUN

[75] Inventor: Edwin W. Trefzger, Iliion, N.Y.

[73] Assignee: D. B. Smith and Company, Inc.,
Utica, N.Y.

[**] Term: 14 Years

[21] Appl. No.: 169,352

[22] Filed: Mar. 17, 1988

[52] U.S. Cl. D23/226

[58] Field of Search D23/213, 223, 224, 226,
D23/227, 229; 239/414, 415, 301, 332, 373, 394,
525, 526, 532, 554, 556; 251/244; D8/14.1, 68

[56] References Cited

U.S. PATENT DOCUMENTS

D. 183,070	6/1958	Stillson	D23/226
D. 202,144	8/1965	Thompson	D23/226
D. 205,091	6/1966	Averitt	D8/68
D. 227,652	7/1973	Linthicum	D8/68
D. 284,988	8/1986	Powell	D23/223
D. 289,968	5/1987	Somers	D8/68
2,519,283	8/1950	Pulver	239/526
2,523,084	9/1950	Adragna	239/459
2,877,931	3/1959	Goldfarb	222/79
3,198,439	8/1965	McNinch, Jr. et al.	239/526 X

3,730,390	5/1973	Adrian et al.	222/79
4,083,497	4/1978	Rosenberger	239/526

FOREIGN PATENT DOCUMENTS

0952362	8/1982	U.S.S.R.	239/525
3223469	11/1971	United Kingdom	239/526

OTHER PUBLICATIONS

DIY Retailing, Aug. 1985, p. 167, Heat Gun.
DIY Retailing, Apr. 1986, p. 95, Glue Guns.

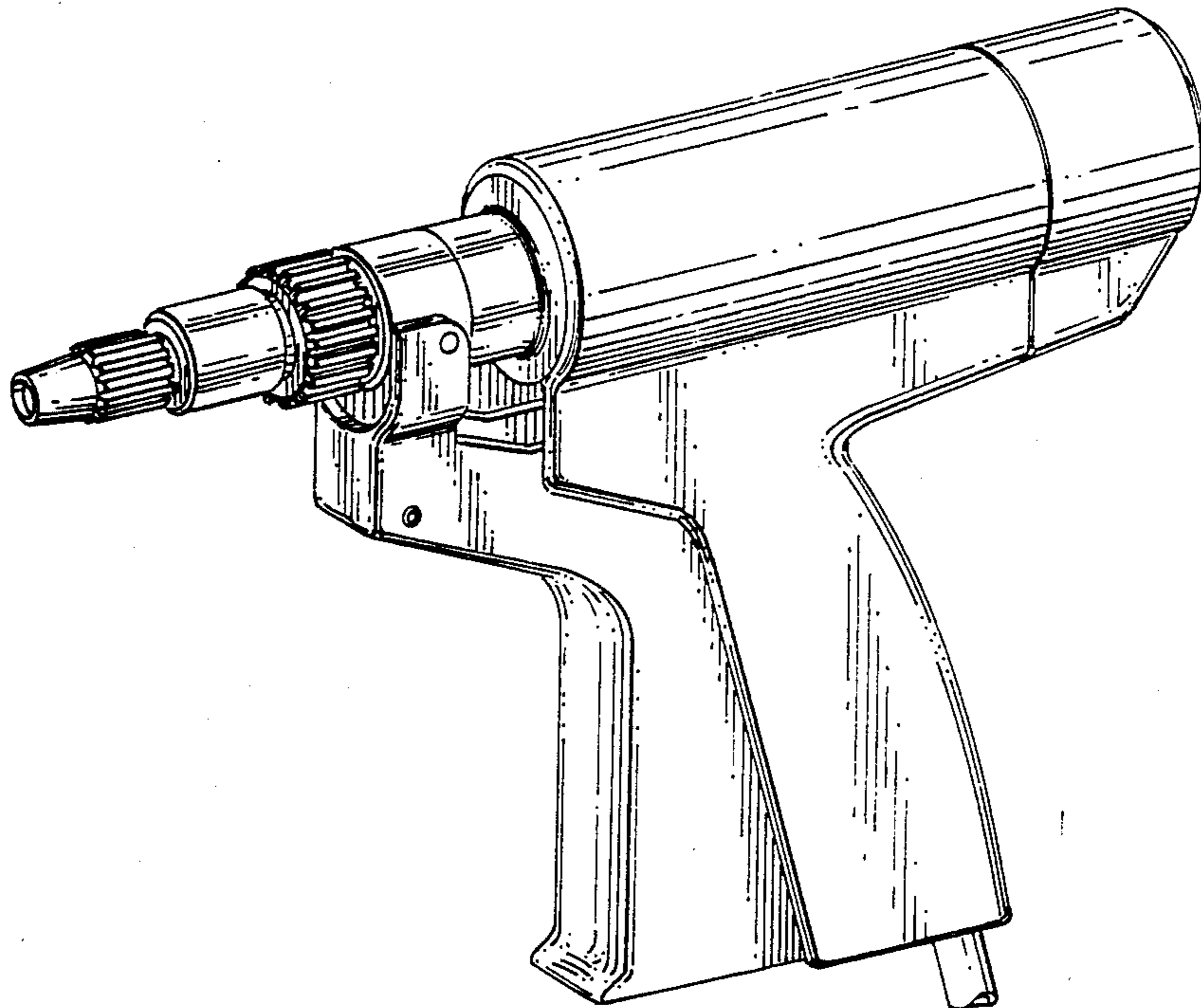
Primary Examiner—Susan J. Lucas
Assistant Examiner—M. H. Tung
Attorney, Agent, or Firm—Wall and Roehrig

[57] CLAIM

The ornamental design for a spray gun, as shown and described.

DESCRIPTION

FIG. 1 is a side elevation view of a spray gun showing my new design, the other side being a mirror image; FIG. 2 is a top plan view thereof; FIG. 3 is a bottom plan view thereof; FIG. 4 is a front elevational view thereof; FIG. 5 is a rear elevational view thereof, and FIG. 6 is a top side perspective view thereof on a reduced scale.



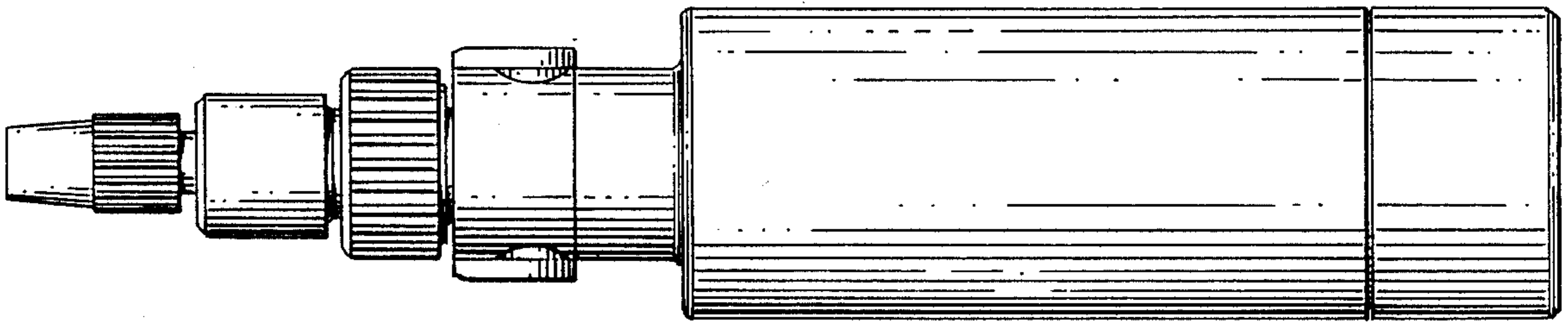


FIG. 2

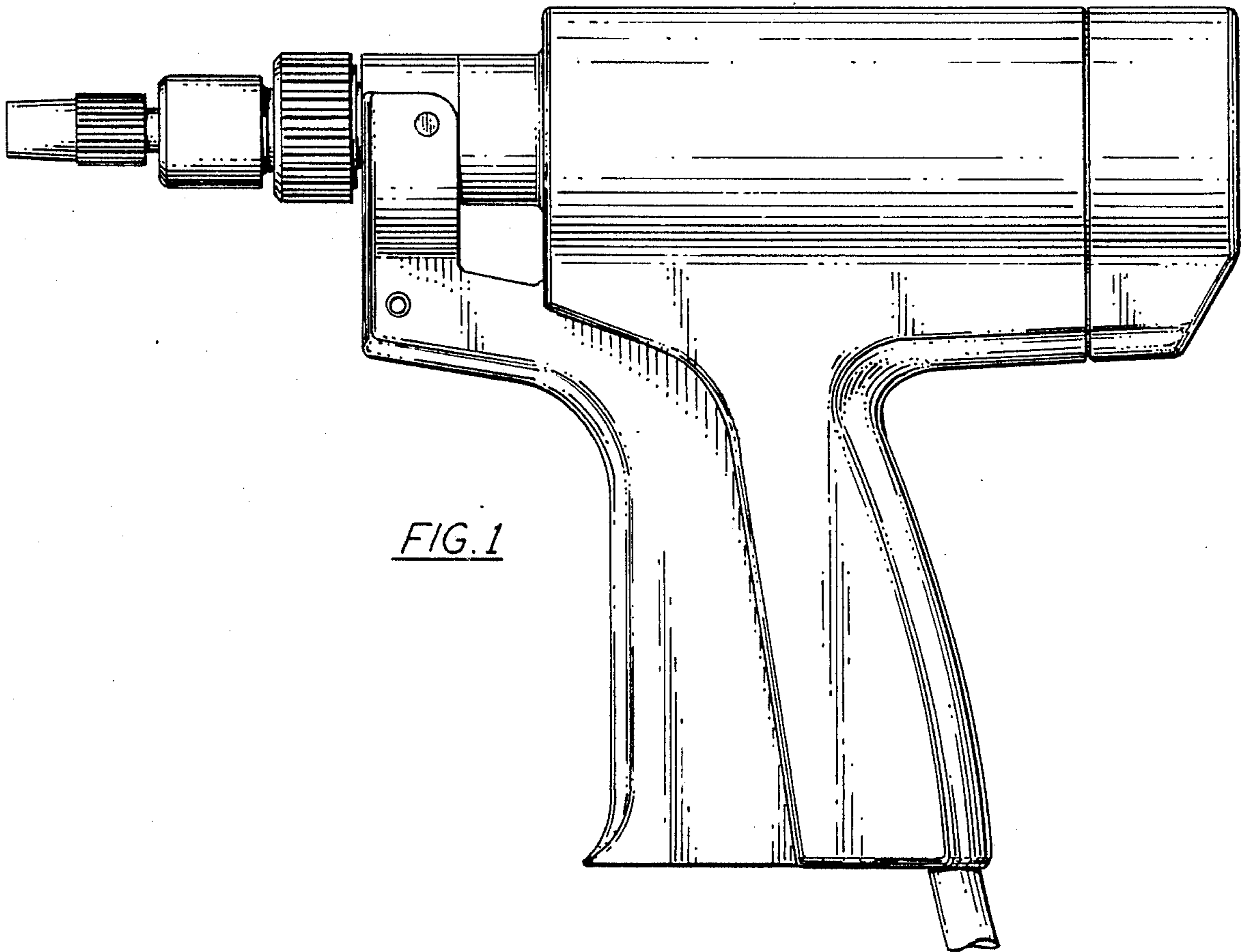


FIG. 1

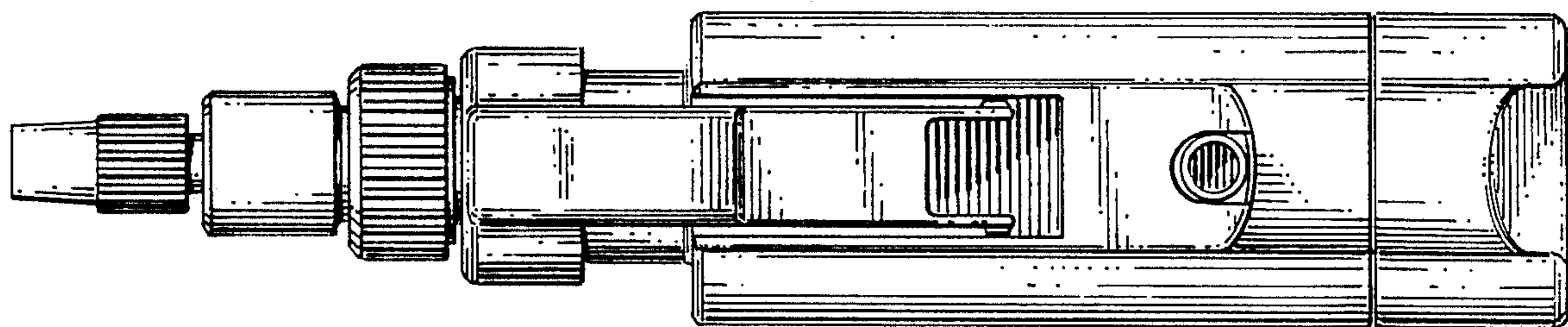


FIG. 3

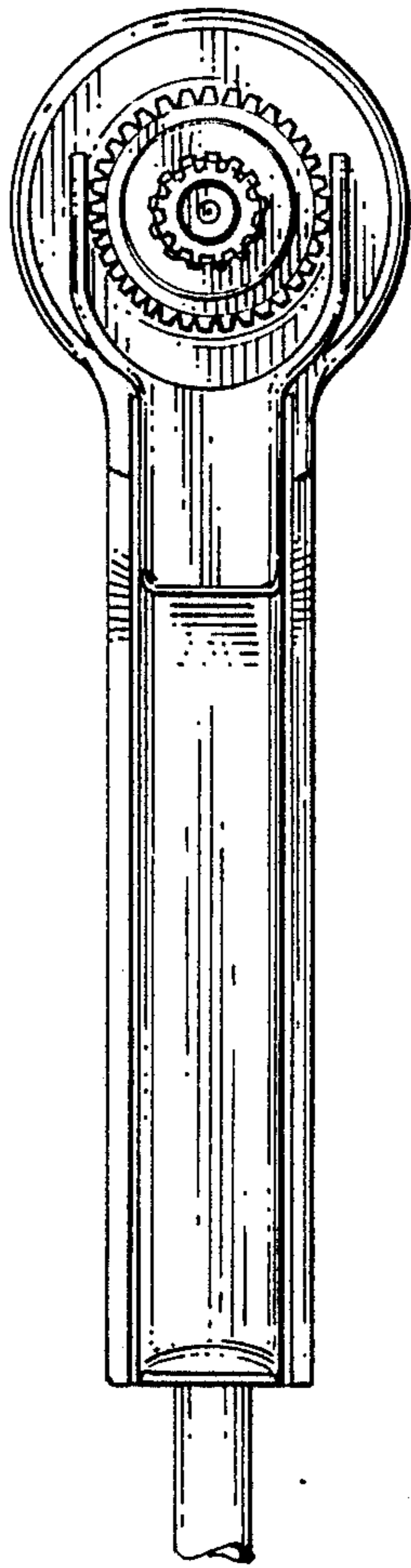


FIG. 4

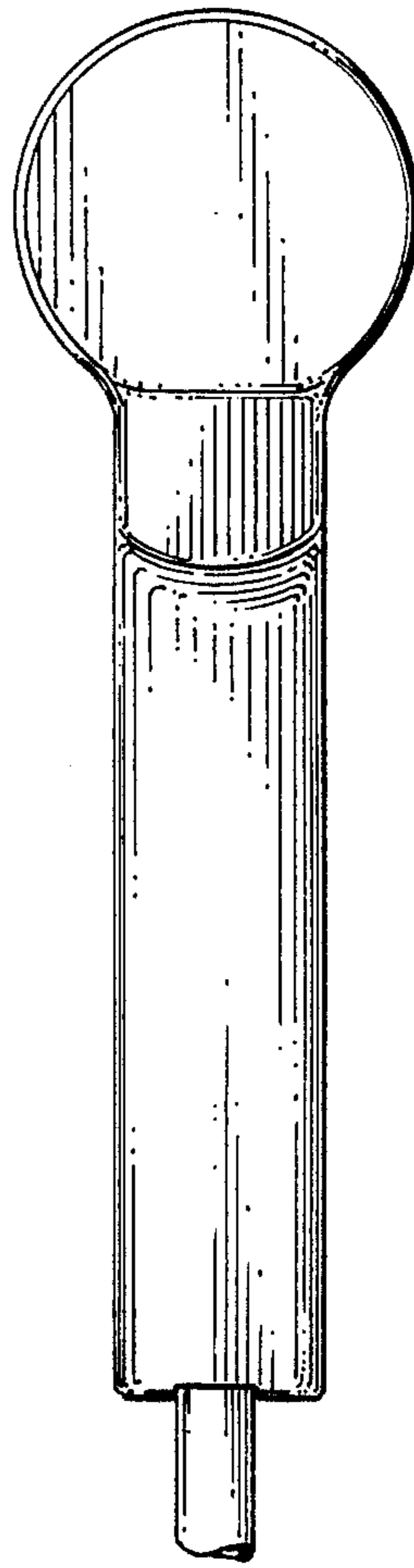


FIG. 5

FIG. 6

