

United States Patent [19]

Meisner

[11] Patent Number: Des. 307,928

[45] Date of Patent: ** May 15, 1990

[54] EXERCISE BICYCLE

[75] Inventor: Edward H. Meisner, Short Hills, N.J.

[73] Assignee: Voit Sports Incorporated, Fairport, N.Y.

[**] Term: 14 Years

[21] Appl. No.: 228,238

[22] Filed: Aug. 4, 1988

[52] U.S. Cl. D21/194

[58] Field of Search D21/191-199;
272/70.3, 73, 132; 73/379

[56] References Cited

U.S. PATENT DOCUMENTS

D. 278,268 4/1985 Kiski D21/194
D. 280,923 10/1985 Smith et al. D21/194
D. 288,706 3/1987 Gremonprez et al. D21/194
D. 290,282 6/1987 Kasuba et al. D21/194

D. 299,371 1/1989 Tsuyama D21/194
4,700,942 10/1987 Danchulic 272/73

Primary Examiner—Charles A. Rademaker
Attorney, Agent, or Firm—Robert W. Fiddler

[57] CLAIM

The ornamental design for an exercise bicycle, shown and described.

DESCRIPTION

FIG. 1 is a perspective view of an exercise bicycle showing my new design;

FIG. 2 is a front elevational view thereof;

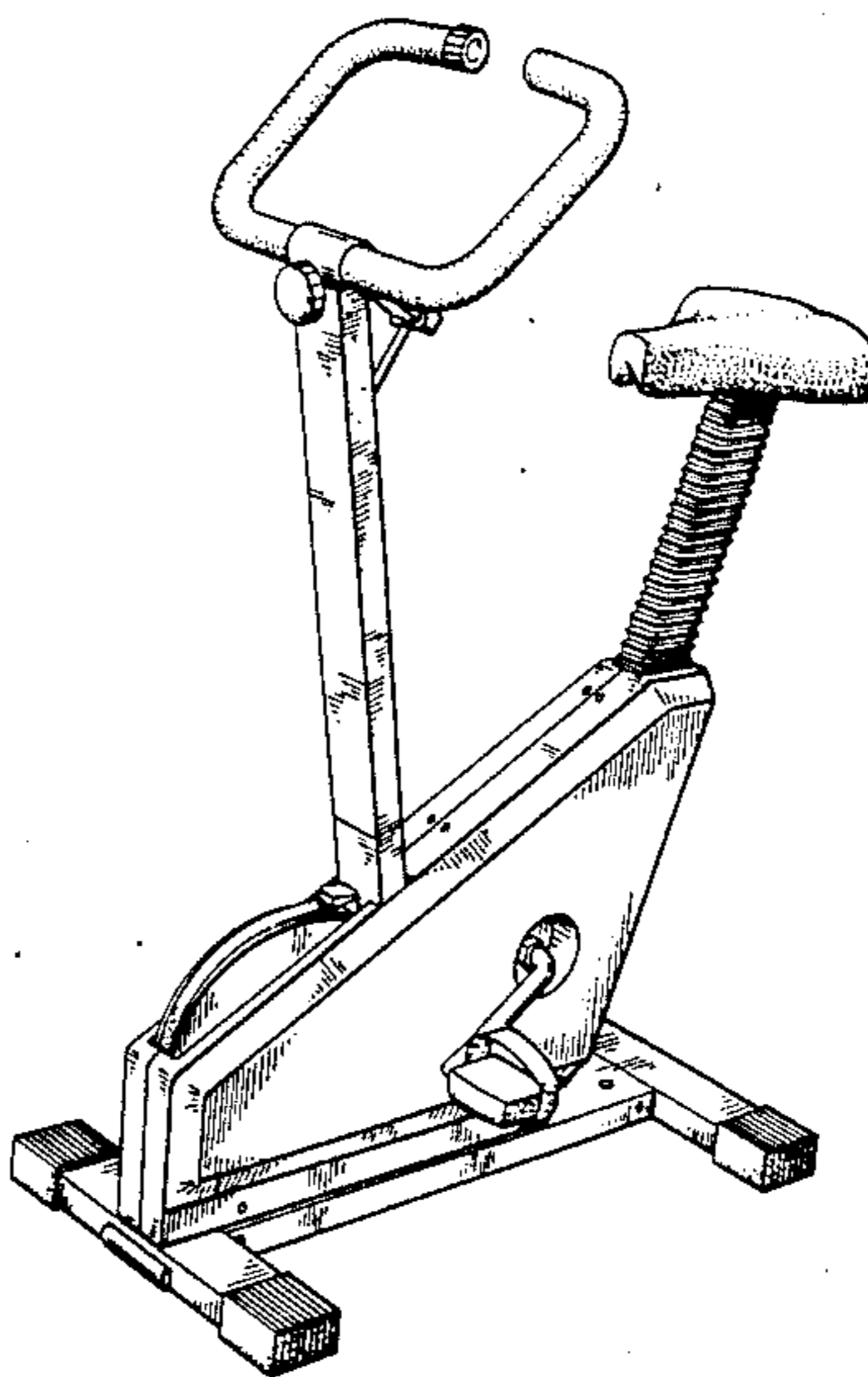
FIG. 3 is a rear elevational view thereof;

FIG. 4 is a left side elevational view thereof, viewed from the right in FIG. 1;

FIG. 5 is a right side elevational view thereof, viewed from the left in FIG. 1;

FIG. 6 is a top plan view thereof; and

FIG. 7 is a bottom plan view thereof.



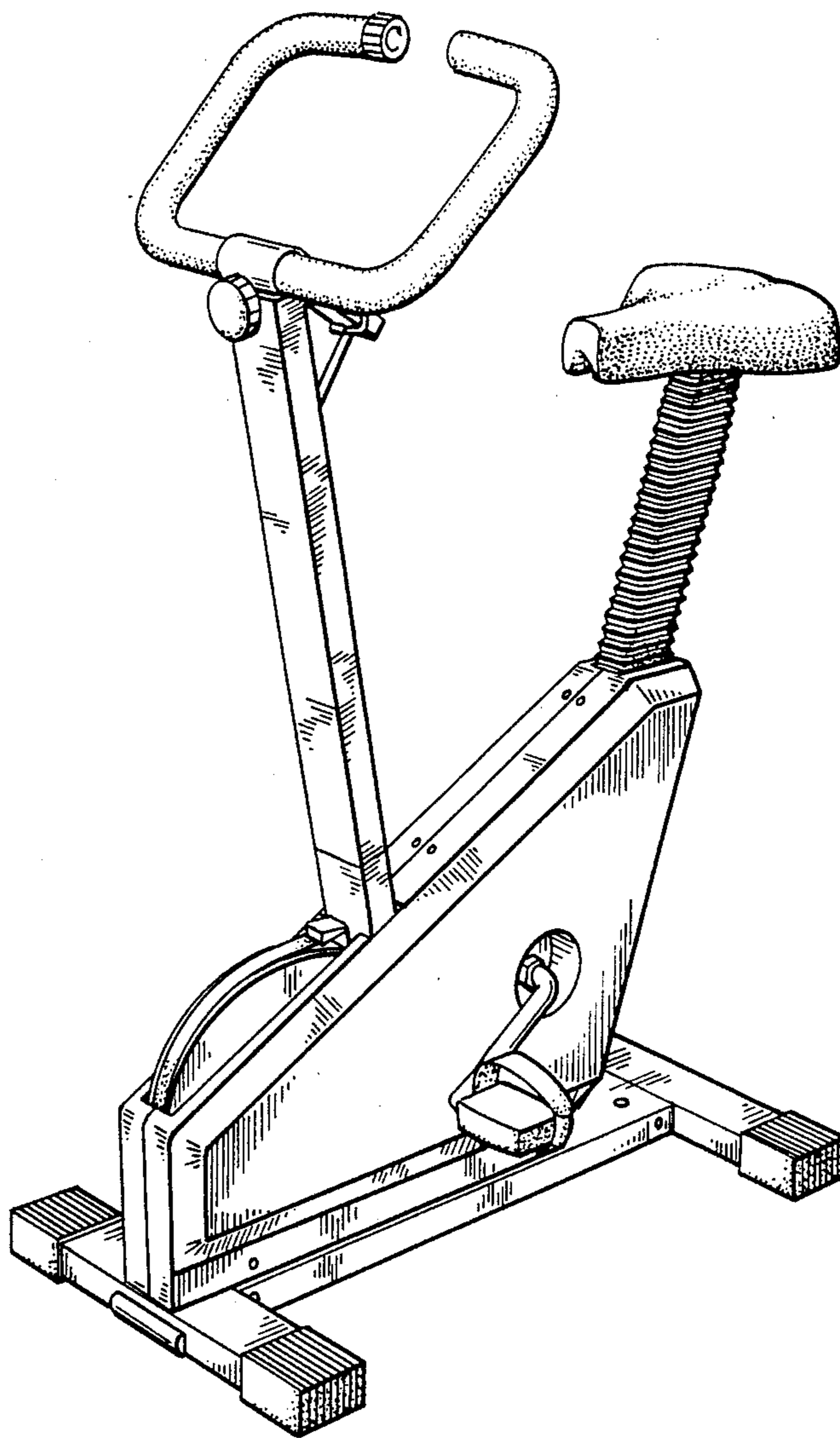


FIG. 1

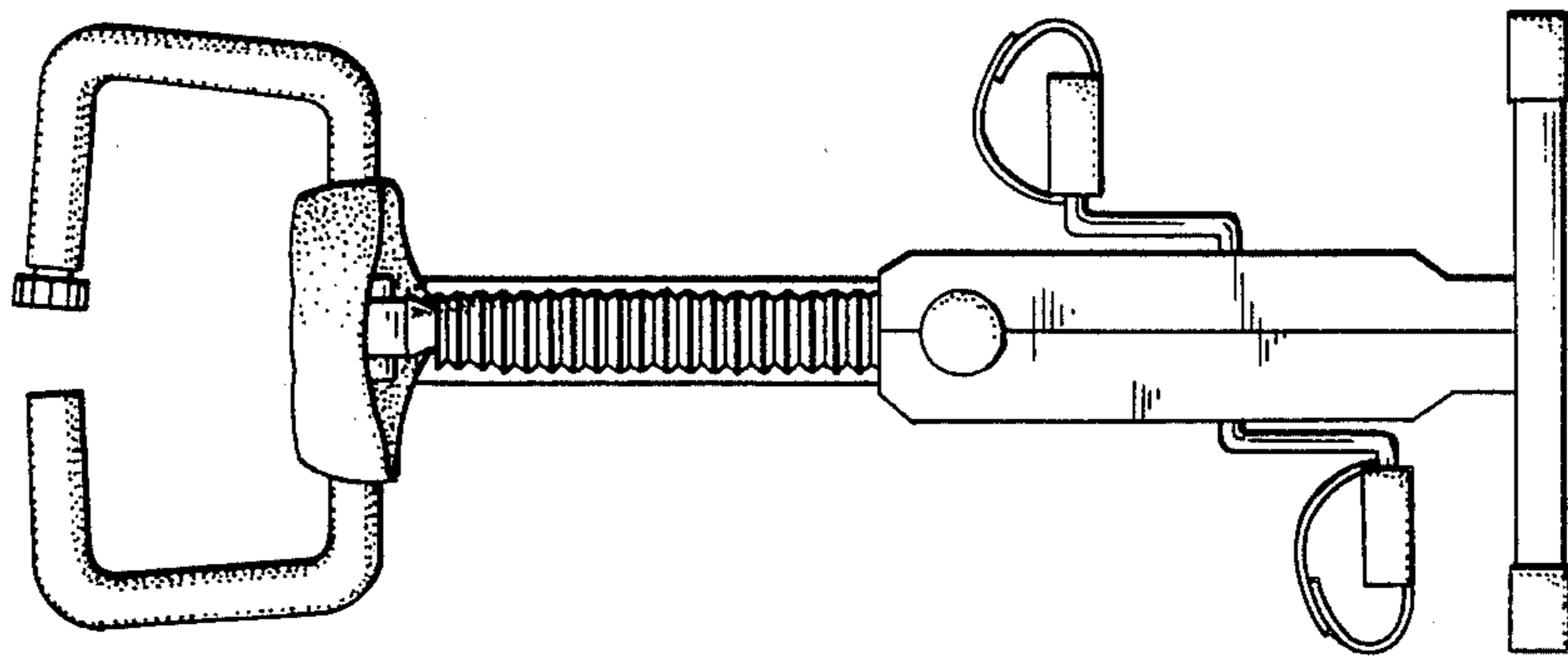


FIG. 3

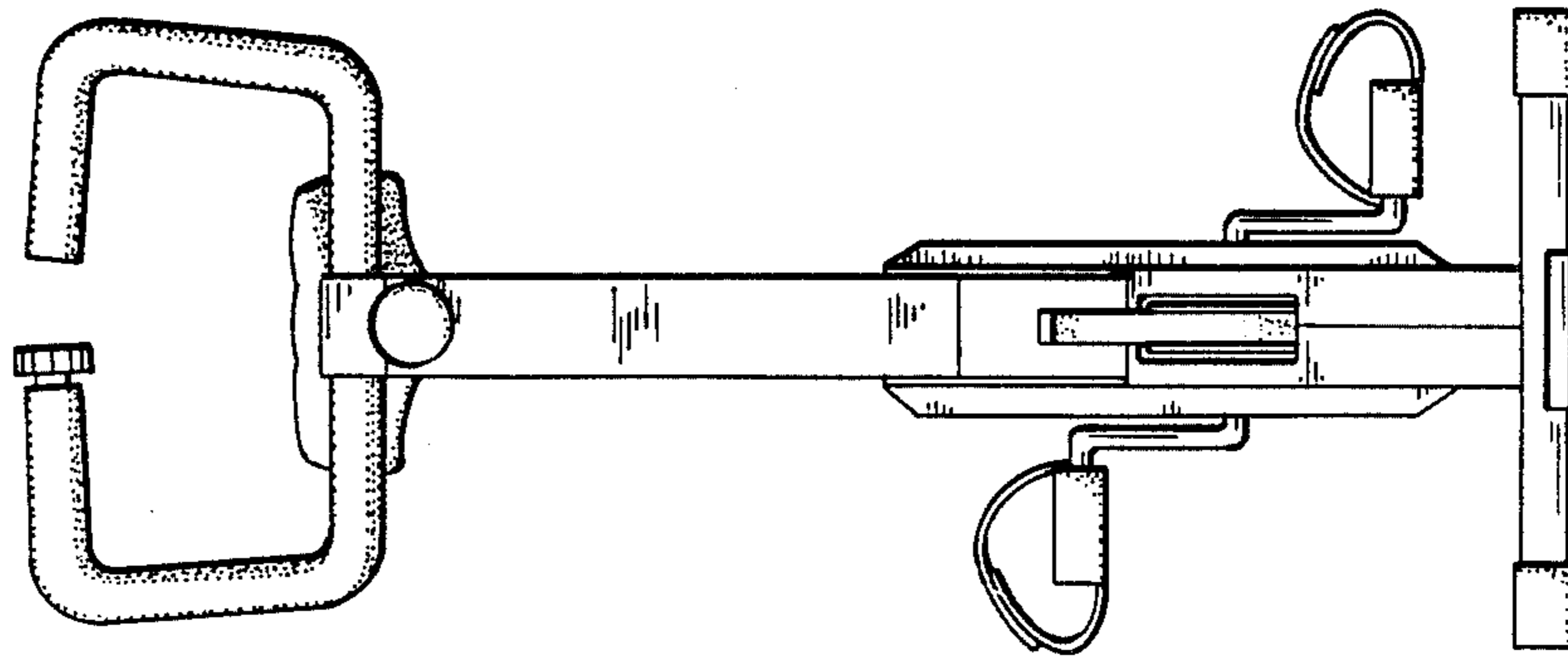


FIG. 2

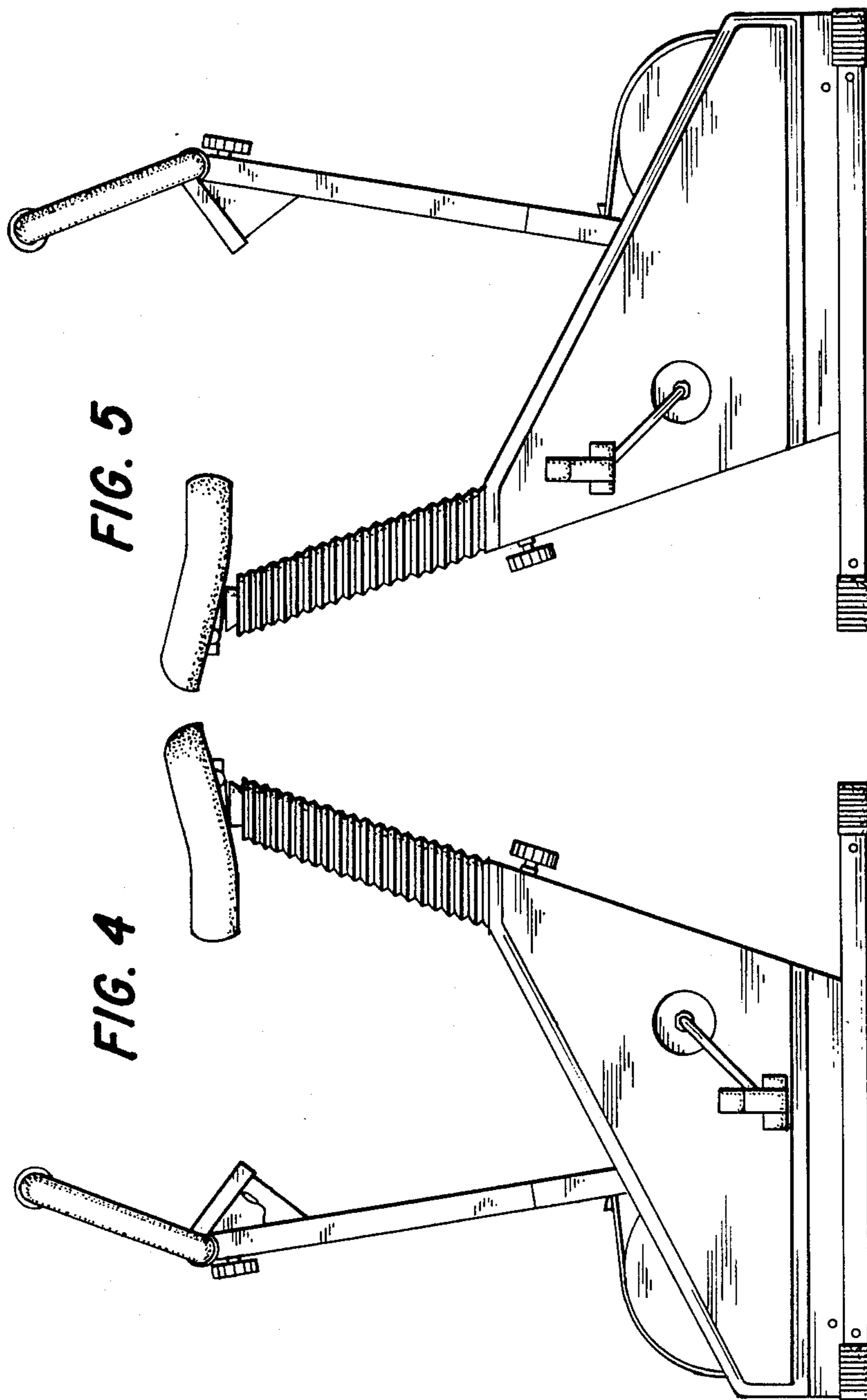


FIG. 5

FIG. 4

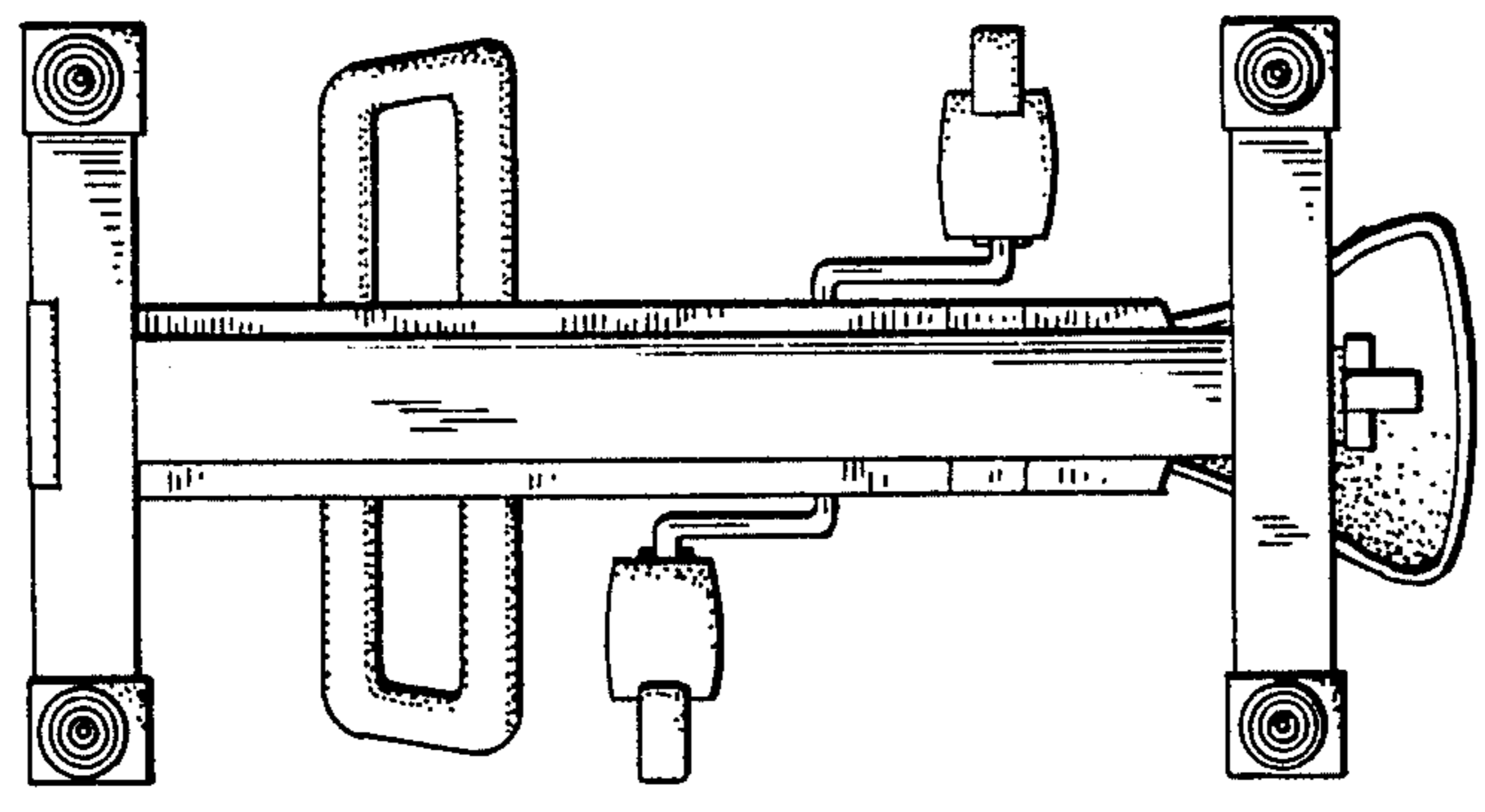


FIG. 7

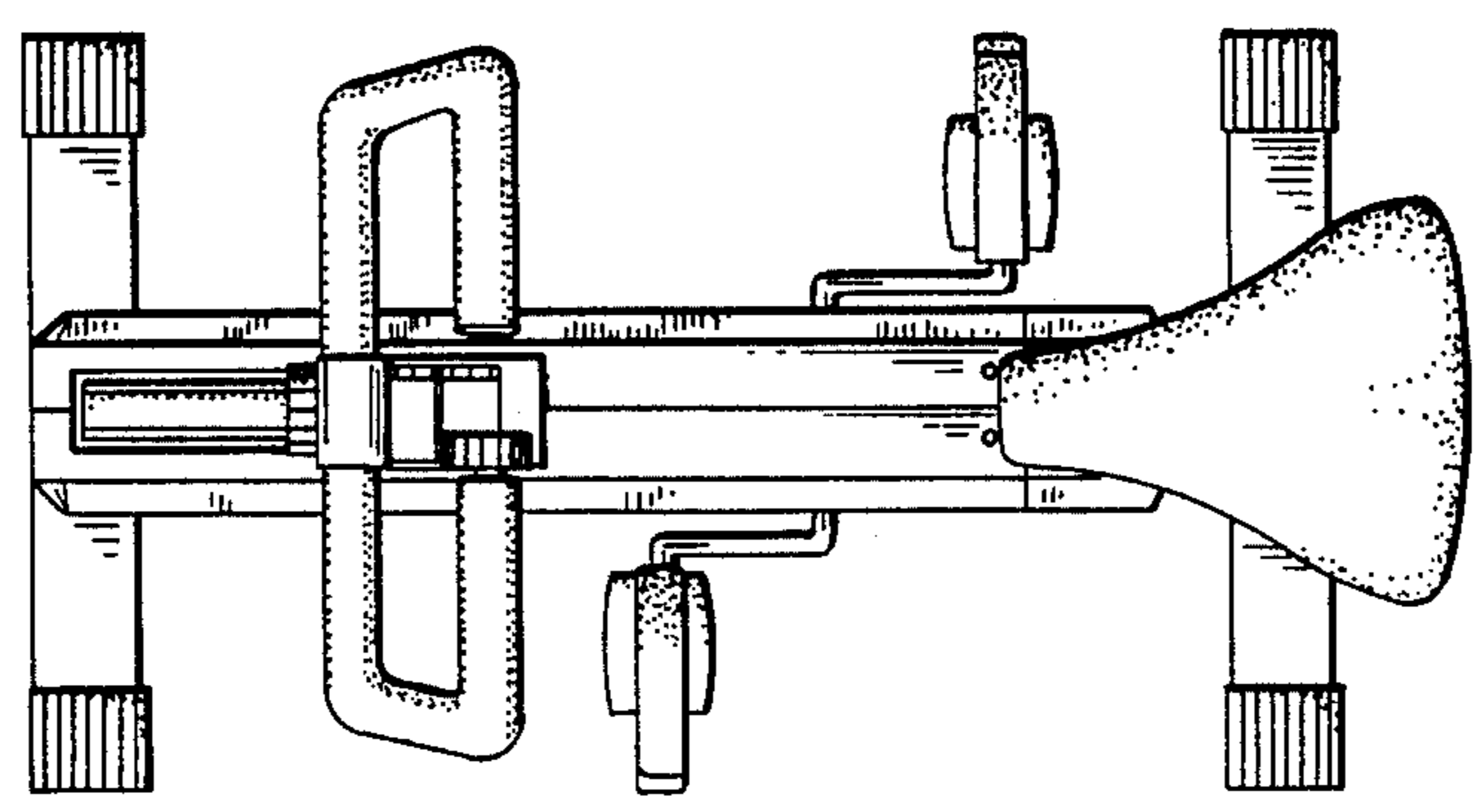


FIG. 6