

[54] **RECONFIGURABLE TOY SCORPION**

[75] **Inventor: Muneyoshi Shinohara, Matsudo, Japan**

[73] **Assignee: Takara Co., Ltd., Tokyo, Japan**

[**] **Term: 14 Years**

[21] **Appl. No.: 14,911**

[22] **Filed: Feb. 13, 1987**

[30] **Foreign Application Priority Data**

Dec. 17, 1986 [JP] Japan 61-50019

[52] **U.S. Cl. D21/150; D21/185**

[58] **Field of Search D21/148, 150, 185;
446/71-76, 99, 100, 376, 487**

[56] **References Cited**

U.S. PATENT DOCUMENTS

- D. 272,893 3/1984 Kodaka D21/185
- D. 286,664 11/1986 Matsuda D21/148
- D. 287,155 12/1986 Matsuda D21/148

Primary Examiner—Melvin B. Feifer
Attorney, Agent, or Firm—Price, Gess & Ubell

[57] **CLAIM**

The ornamental design for a reconfigurable toy scorpion, as shown and described.

DESCRIPTION

FIG. 1 is a front perspective view of a reconfigurable toy scorpion showing my new design;

FIG. 2 is a front elevational view thereof;

FIG. 3 is a rear elevational view thereof;

FIG. 4 is a right side elevational view thereof, the side opposite being a mirror image;

FIG. 5 is a top plan view thereof;

FIG. 6 is a bottom plan view thereof;

FIG. 7 is another front perspective view of the design shown in FIGS. 1 through 6 in a battle station configuration;

FIG. 8 is a rear perspective view thereof;

FIG. 9 is a further front perspective view of the design shown in FIGS. 1 through 8 in a robotic humanoid configuration;

FIG. 10 is a front elevational view thereof;

FIG. 11 is a rear elevational view thereof;

FIG. 12 is a right side elevational view thereof, the side opposite being a mirror image;

FIG. 13 is a top plan view thereof; and

FIG. 14 is a bottom plan view thereof.

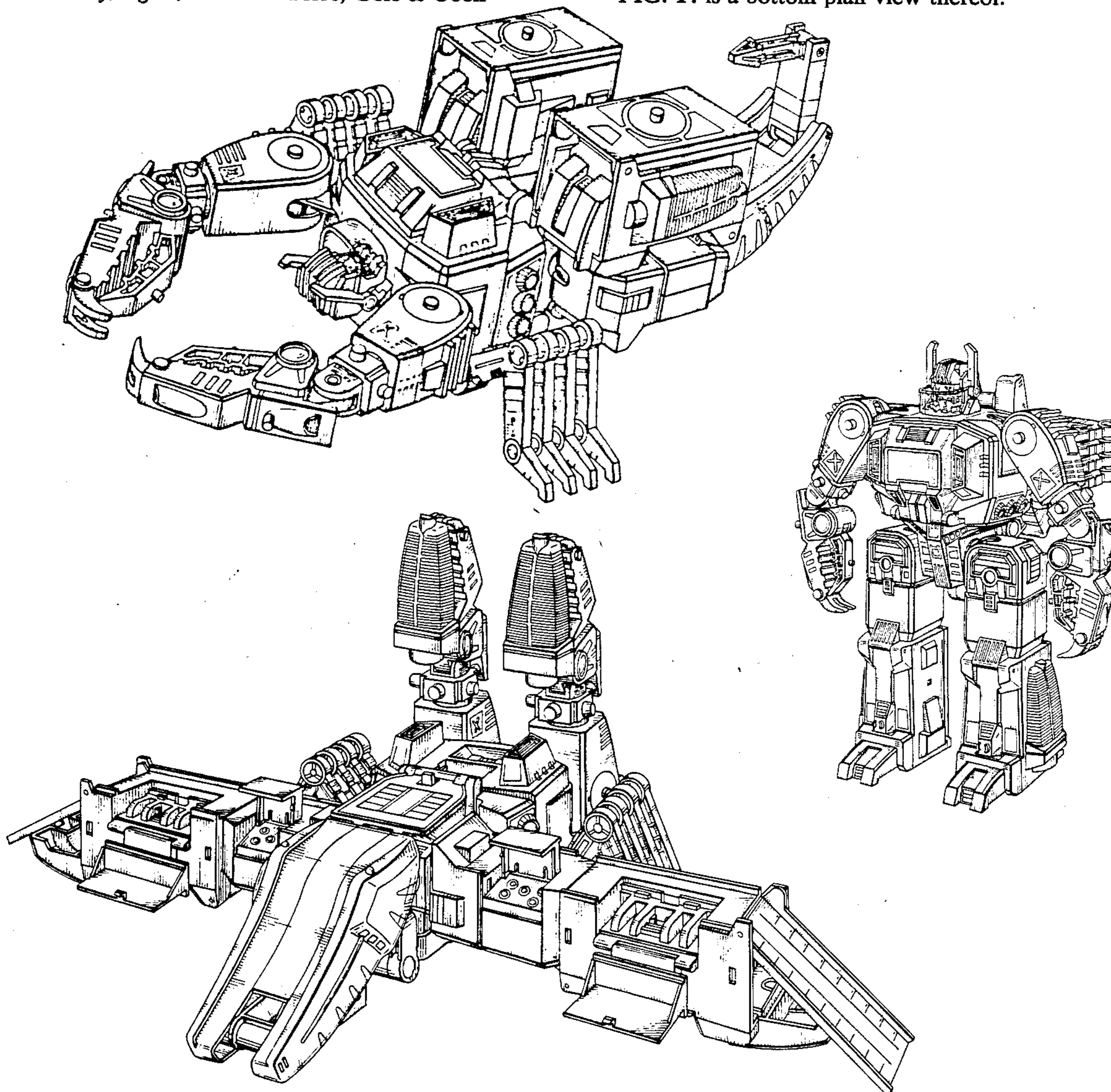


FIG. 1

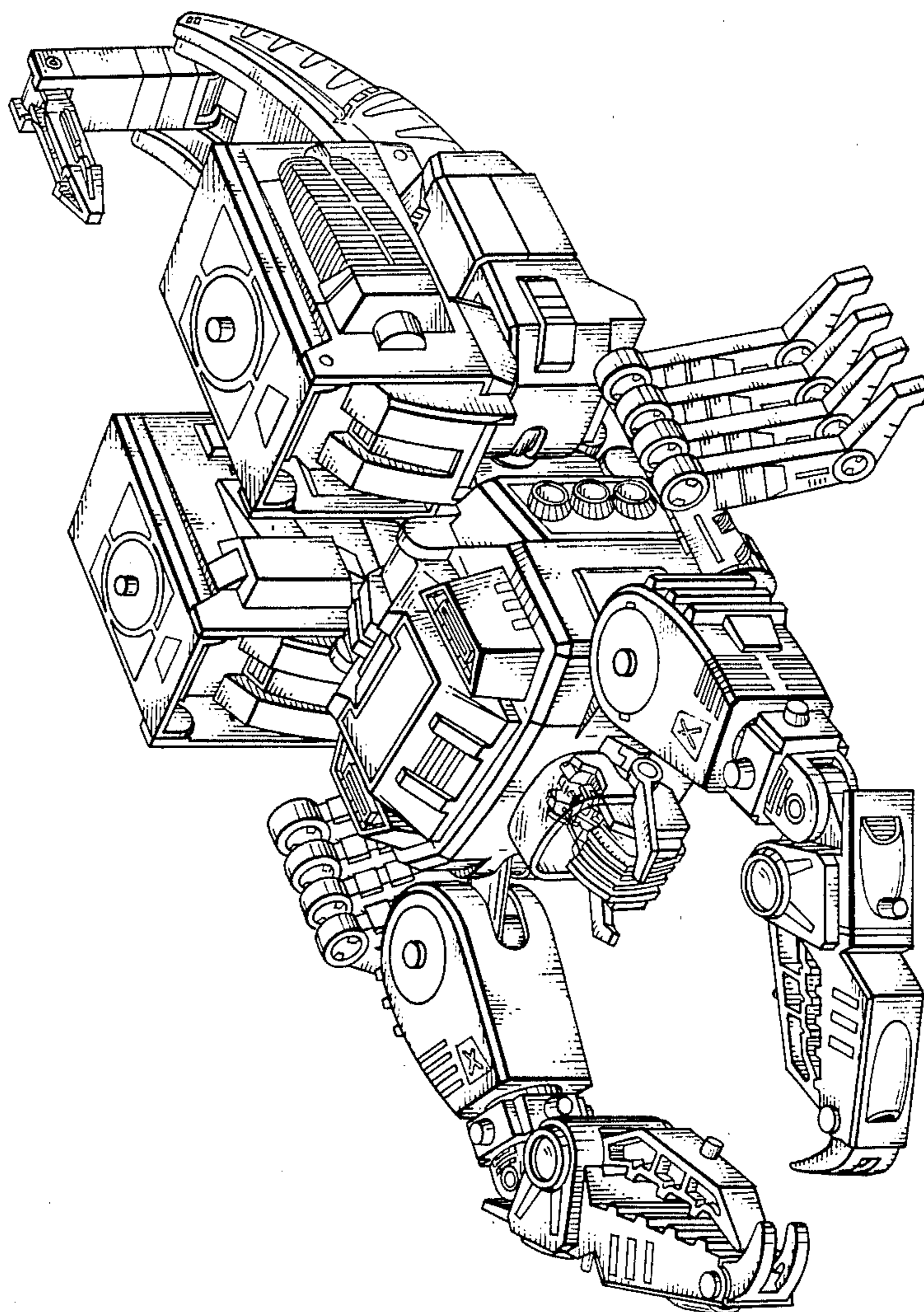


FIG. 2

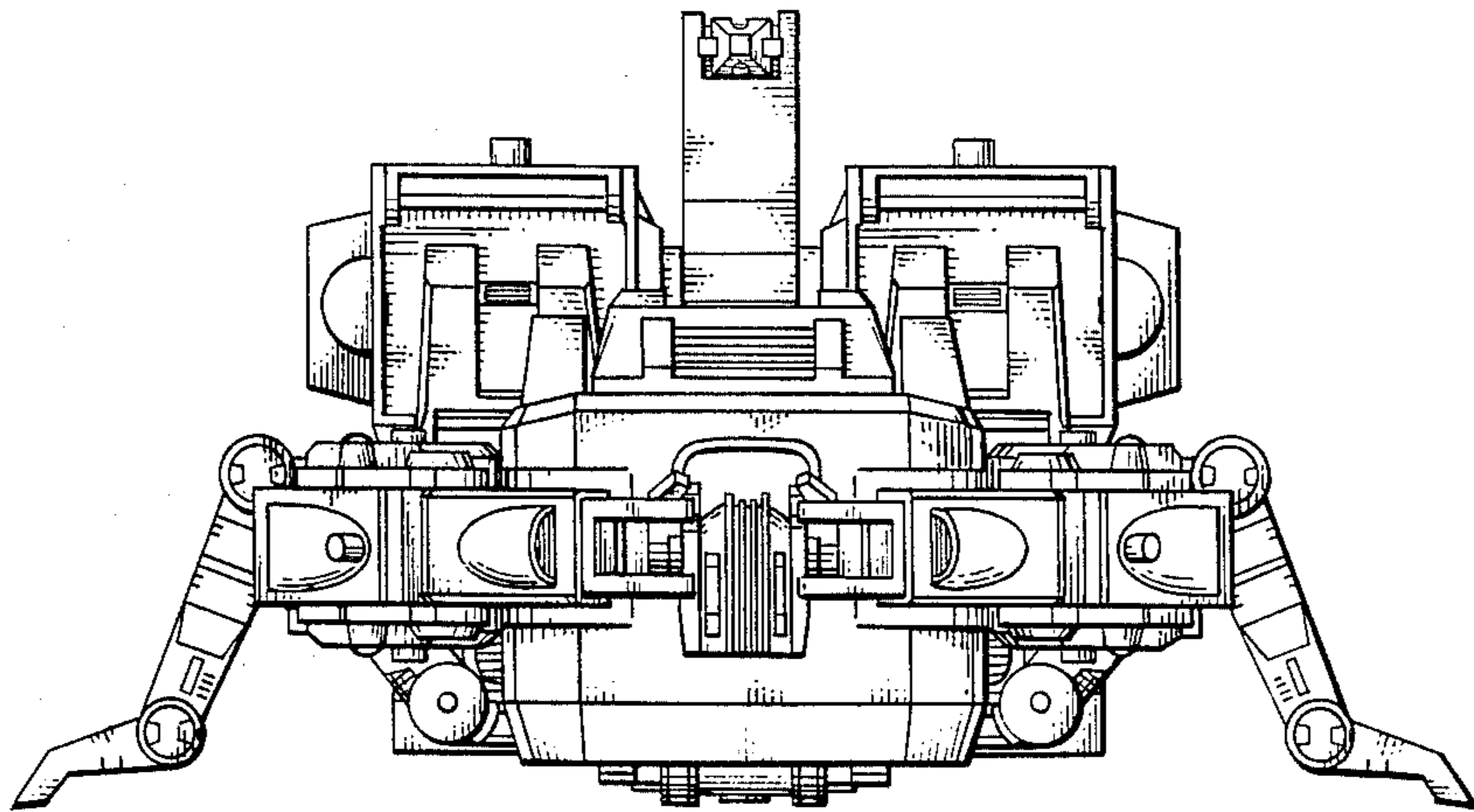


FIG. 3

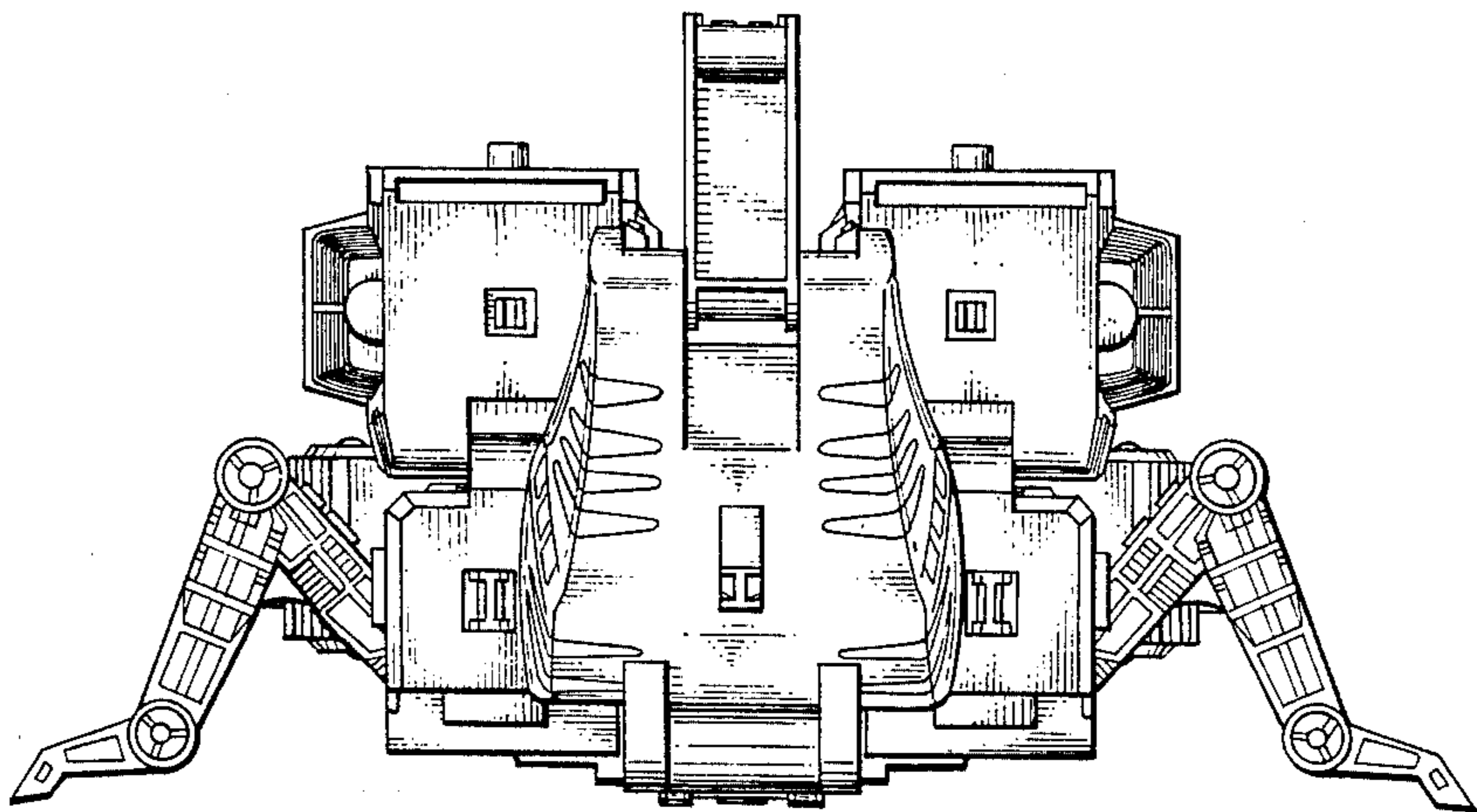


FIG. 4

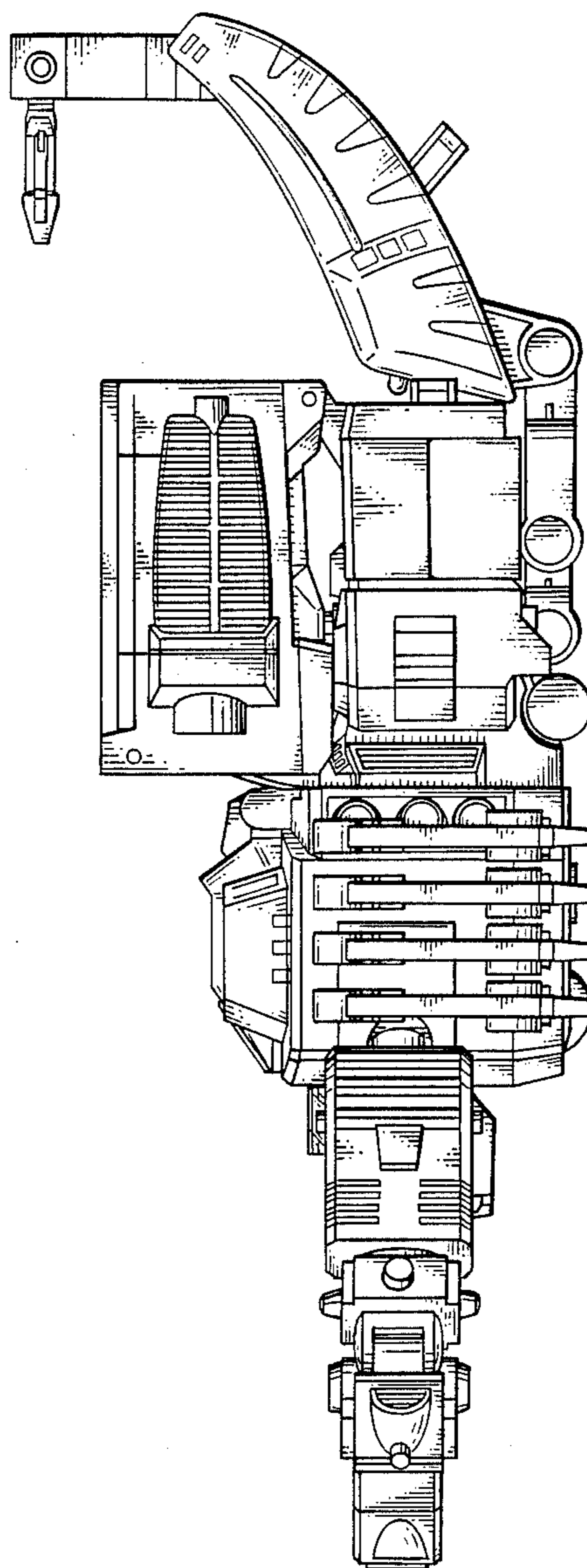


FIG. 5

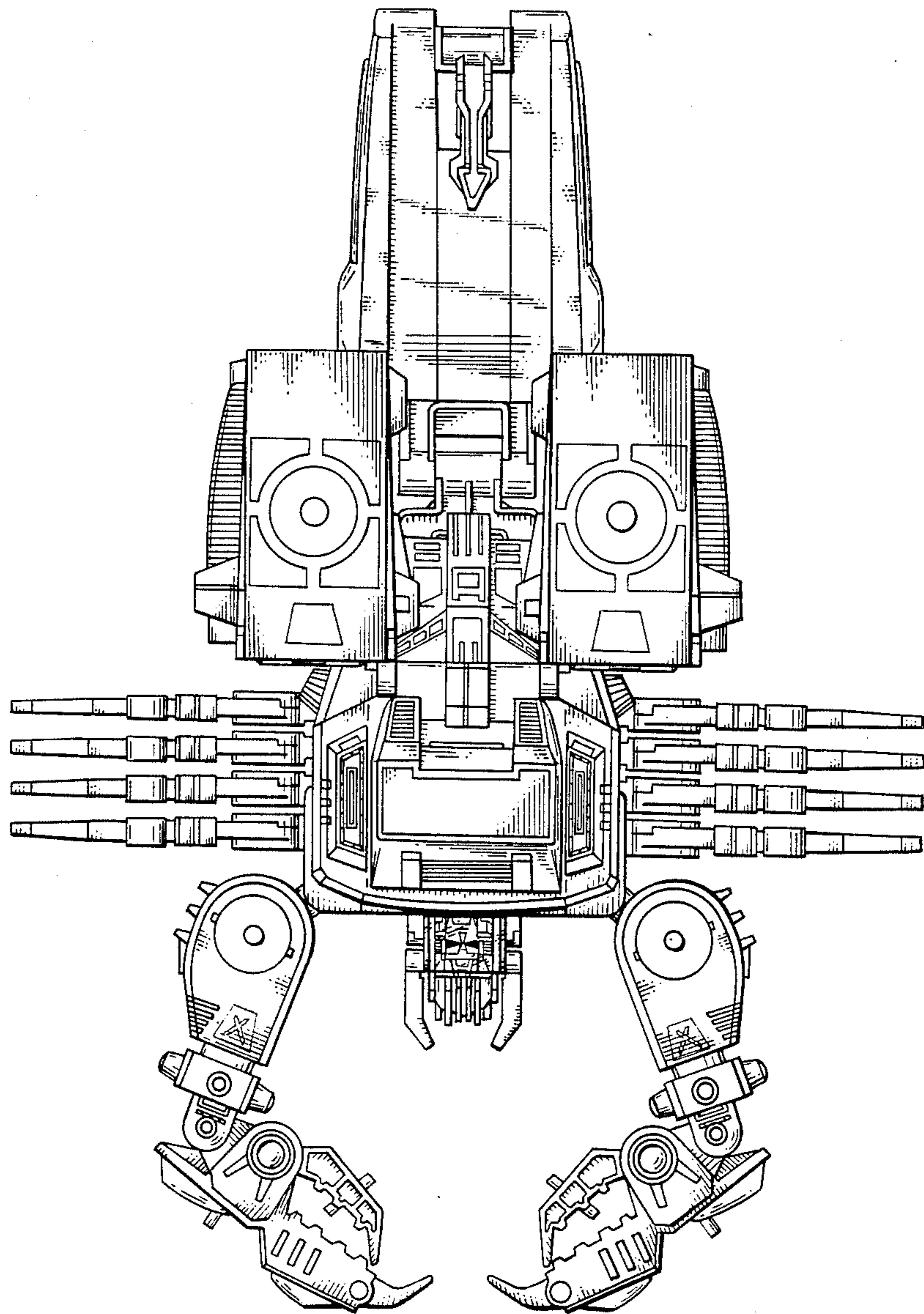
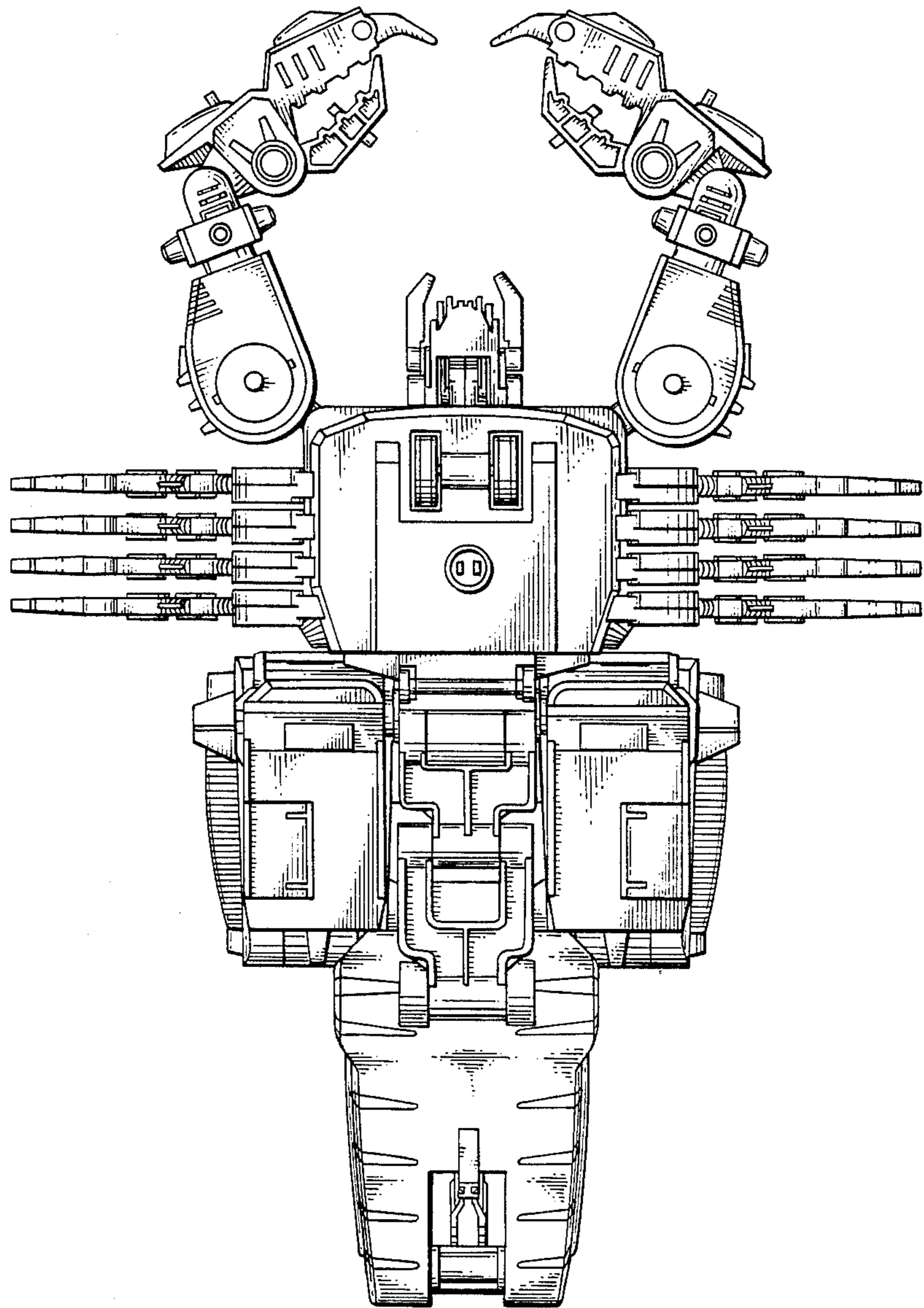


FIG. 6



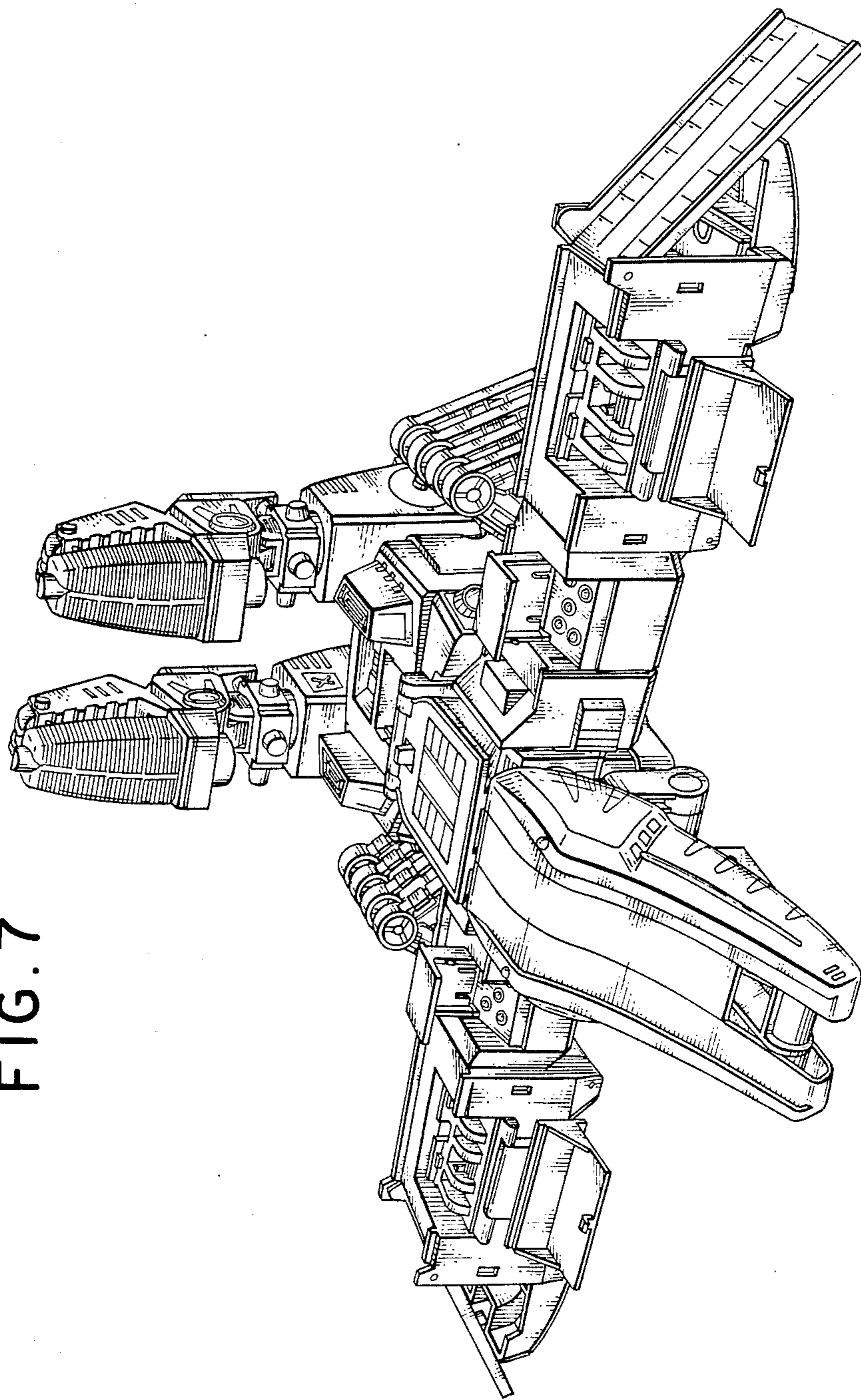


FIG. 7

FIG. 8

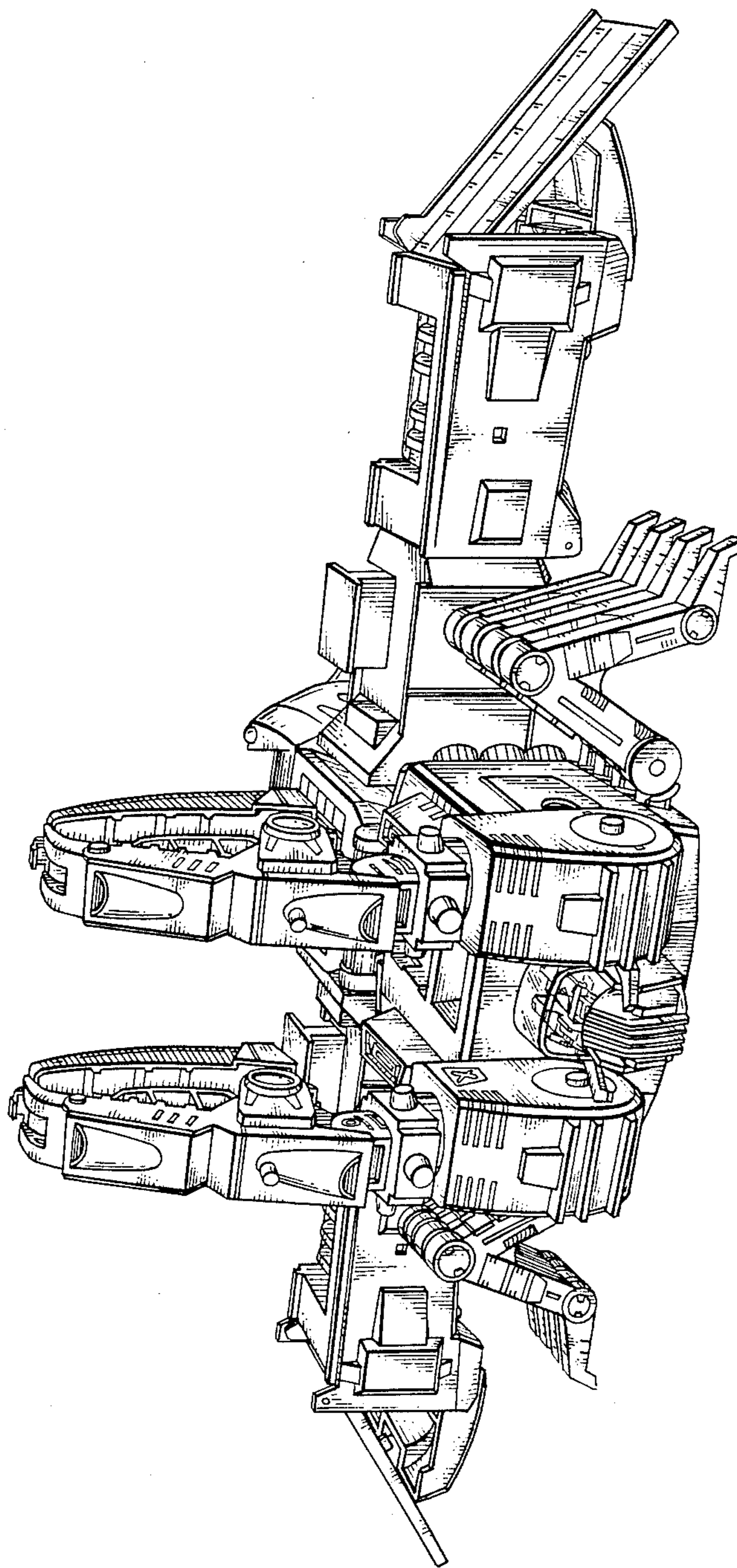


FIG. 9

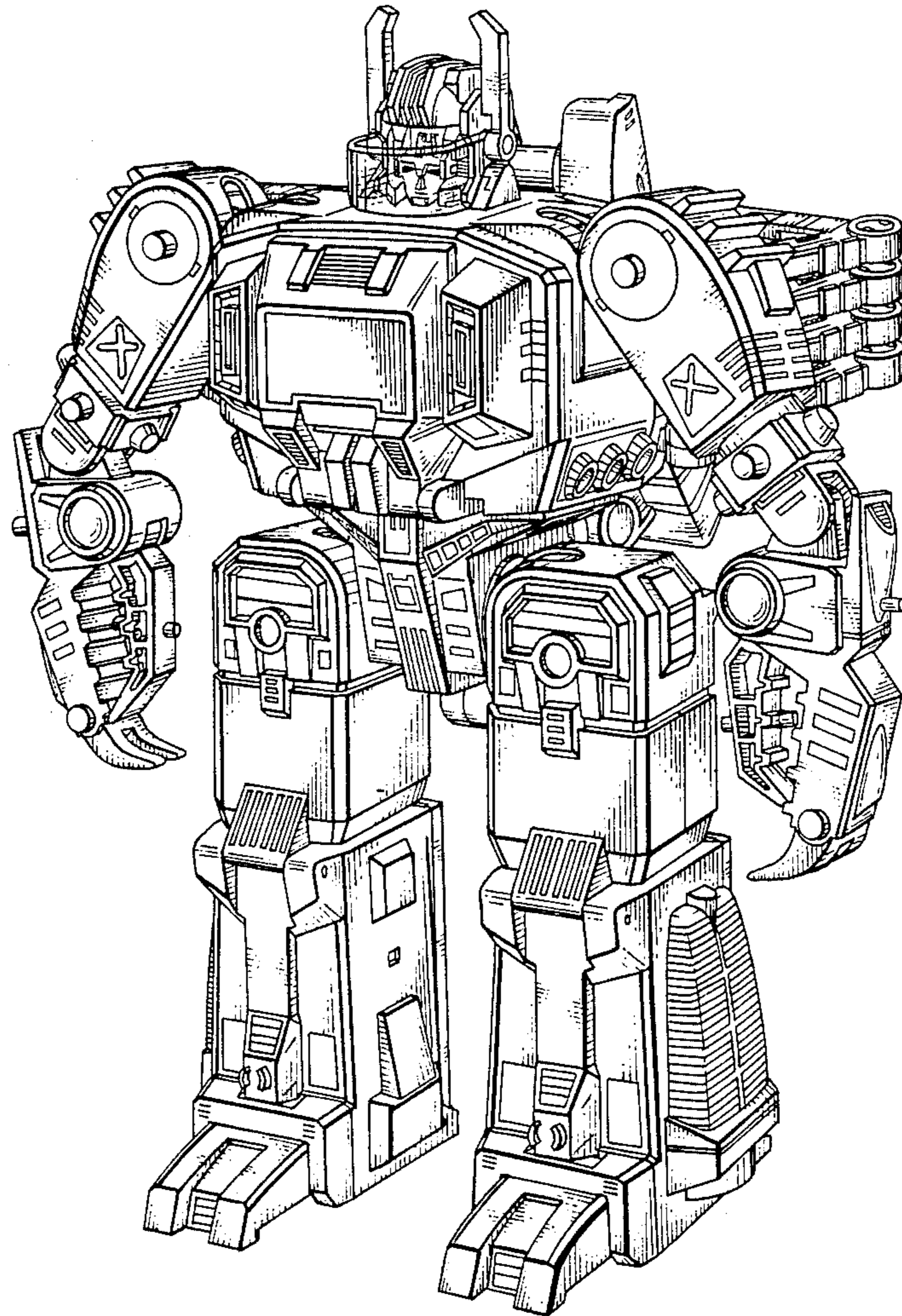


FIG. 10

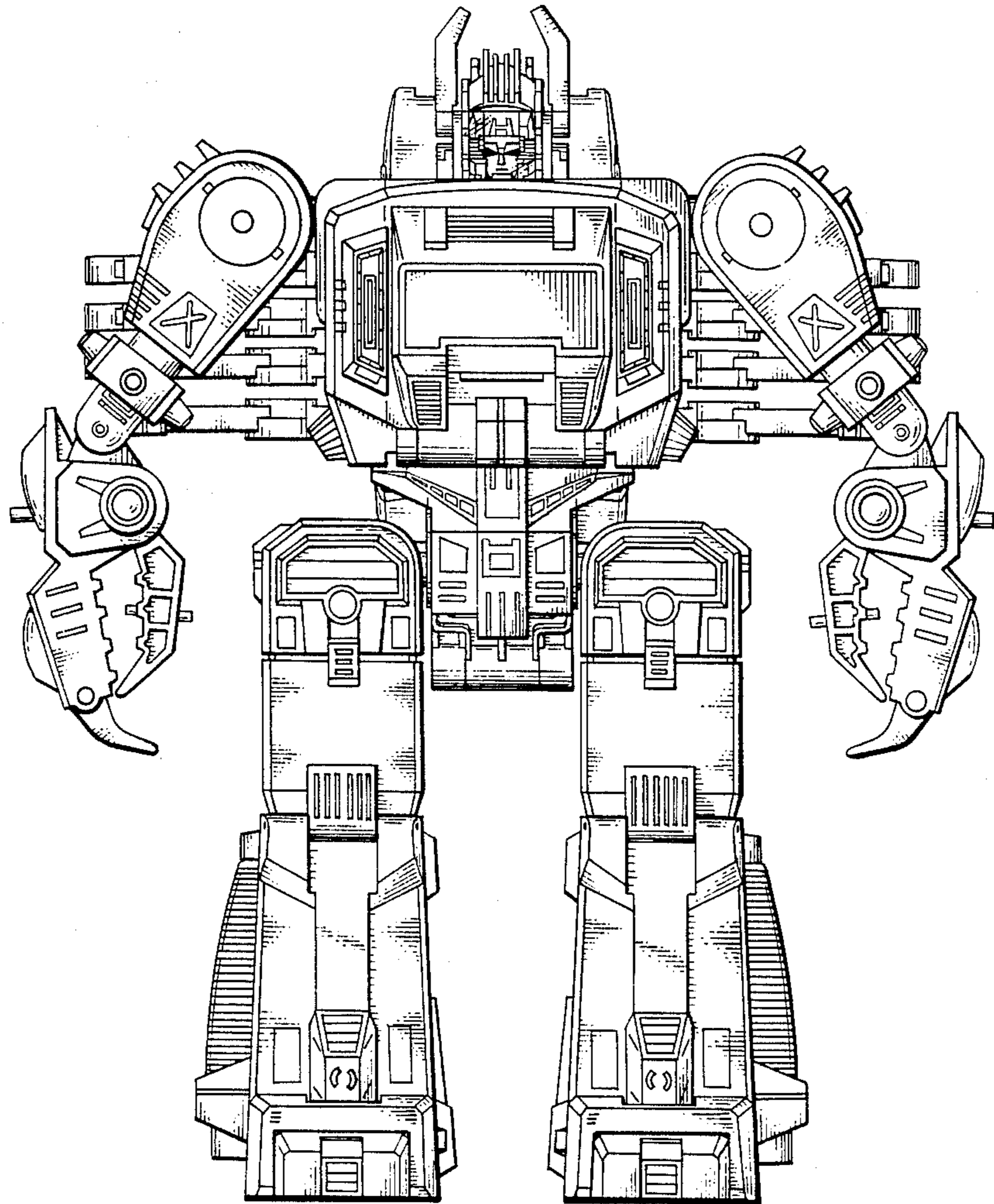


FIG. 11

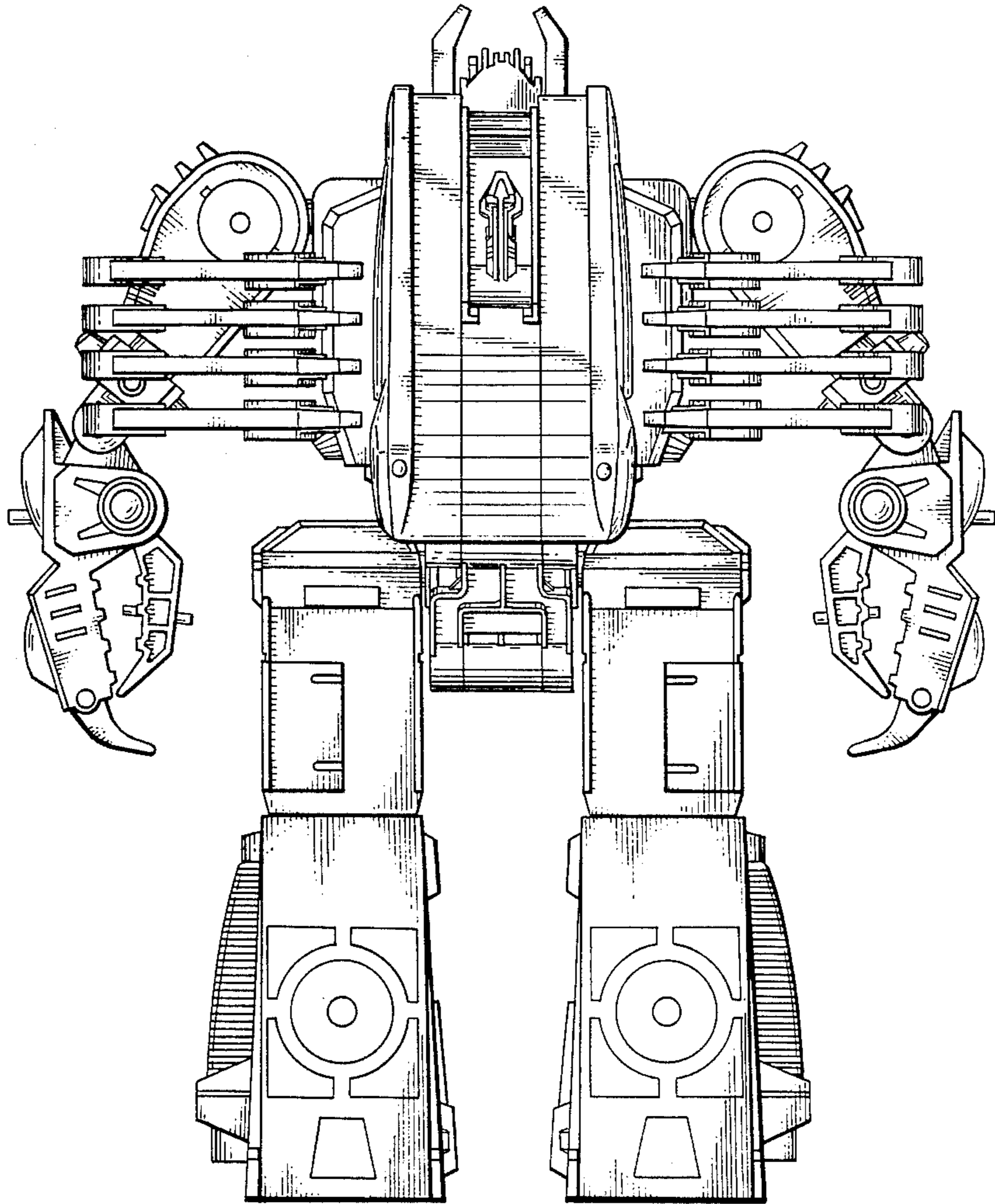


FIG. 12

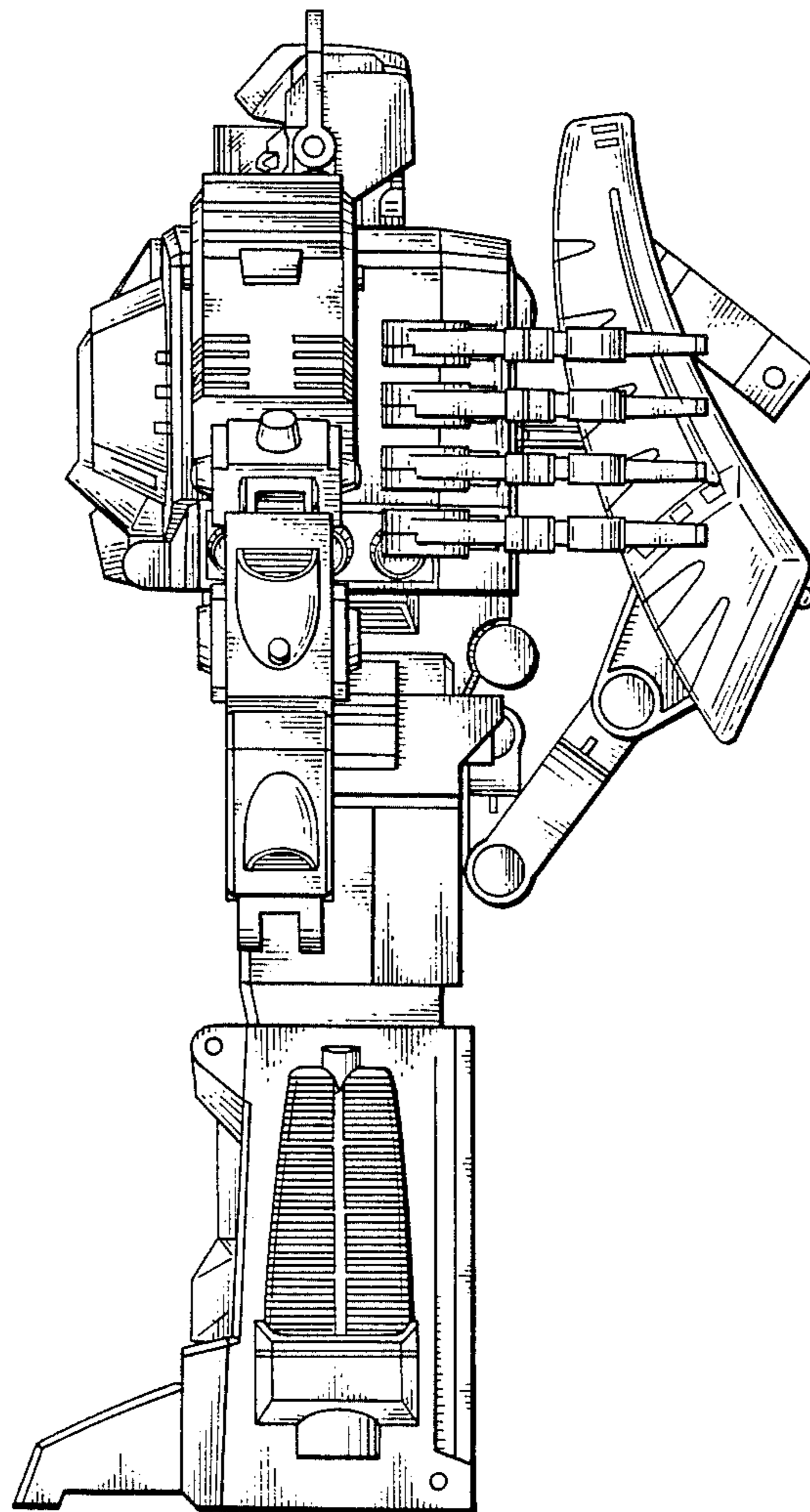


FIG. 13

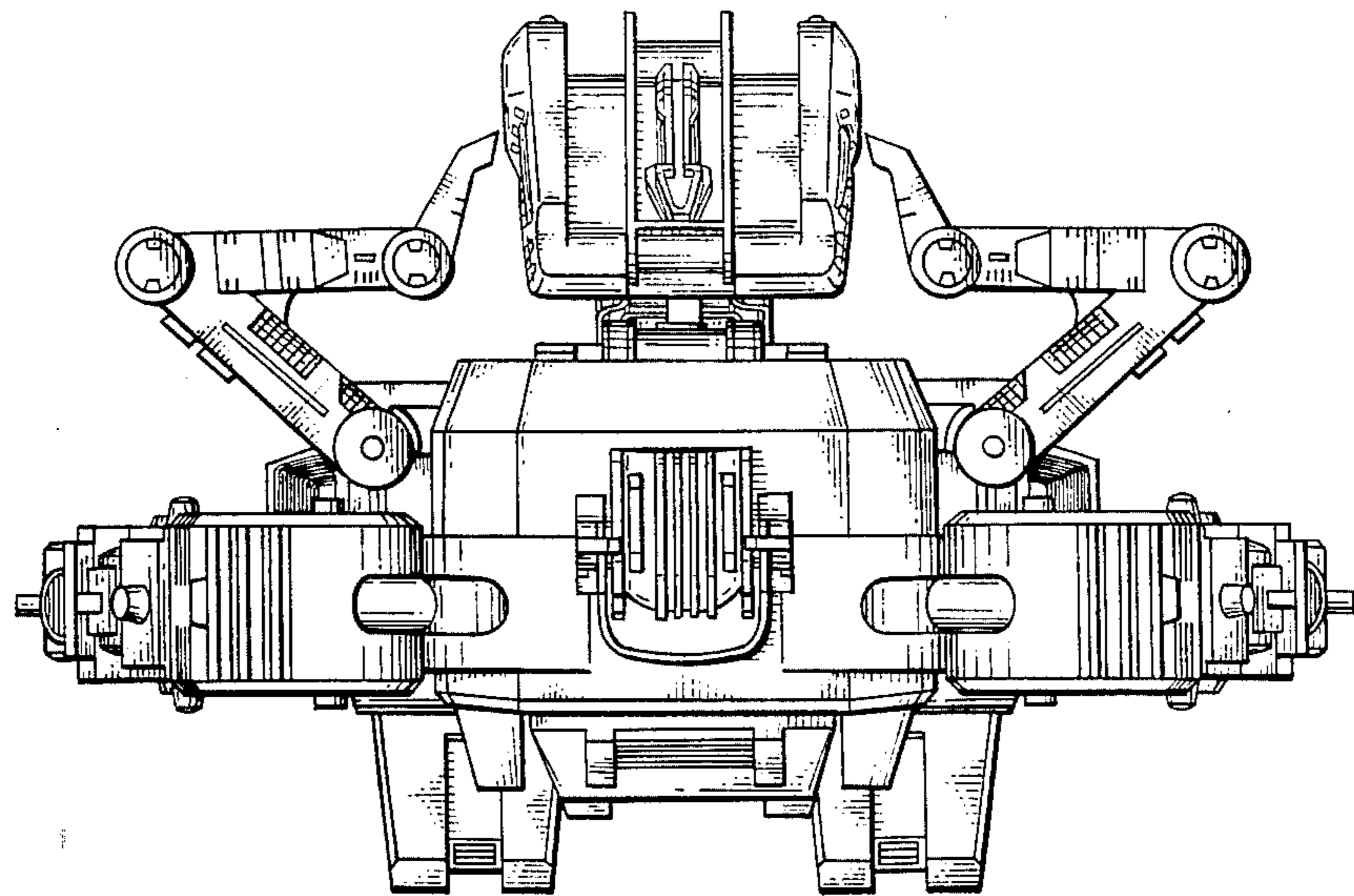


FIG. 14

