

[54] STILL CAMERA WITH BUILT-IN FLASH UNIT

[75] Inventor: Bruce A. Leonard, Honeoye Falls, N.Y.

[73] Assignee: Eastman Kodak Company, Rochester, N.Y.

[**] Term: 14 Years

[21] Appl. No.: 82,392

[22] Filed: Aug. 6, 1987

[52] U.S. Cl. D16/209; D16/218

[58] Field of Search D16/200, 207, 208, 209, D16/210, 218; 354/82, 202, 288

[56] References Cited

U.S. PATENT DOCUMENTS

D. 263,477	3/1982	Ainslie	D16/209
D. 289,176	4/1987	Yoshida et al.	D16/209
4,589,747	5/1986	Nakayama et al.	354/288
4,811,039	3/1989	Maeno et al.	354/288

OTHER PUBLICATIONS

British Journal of Photography, p. 1108, Sep. 1986.
Best Products Catalog, 1984-1985, p. 316, Item 2.
Best Products Catalog, 1986, p. 269.

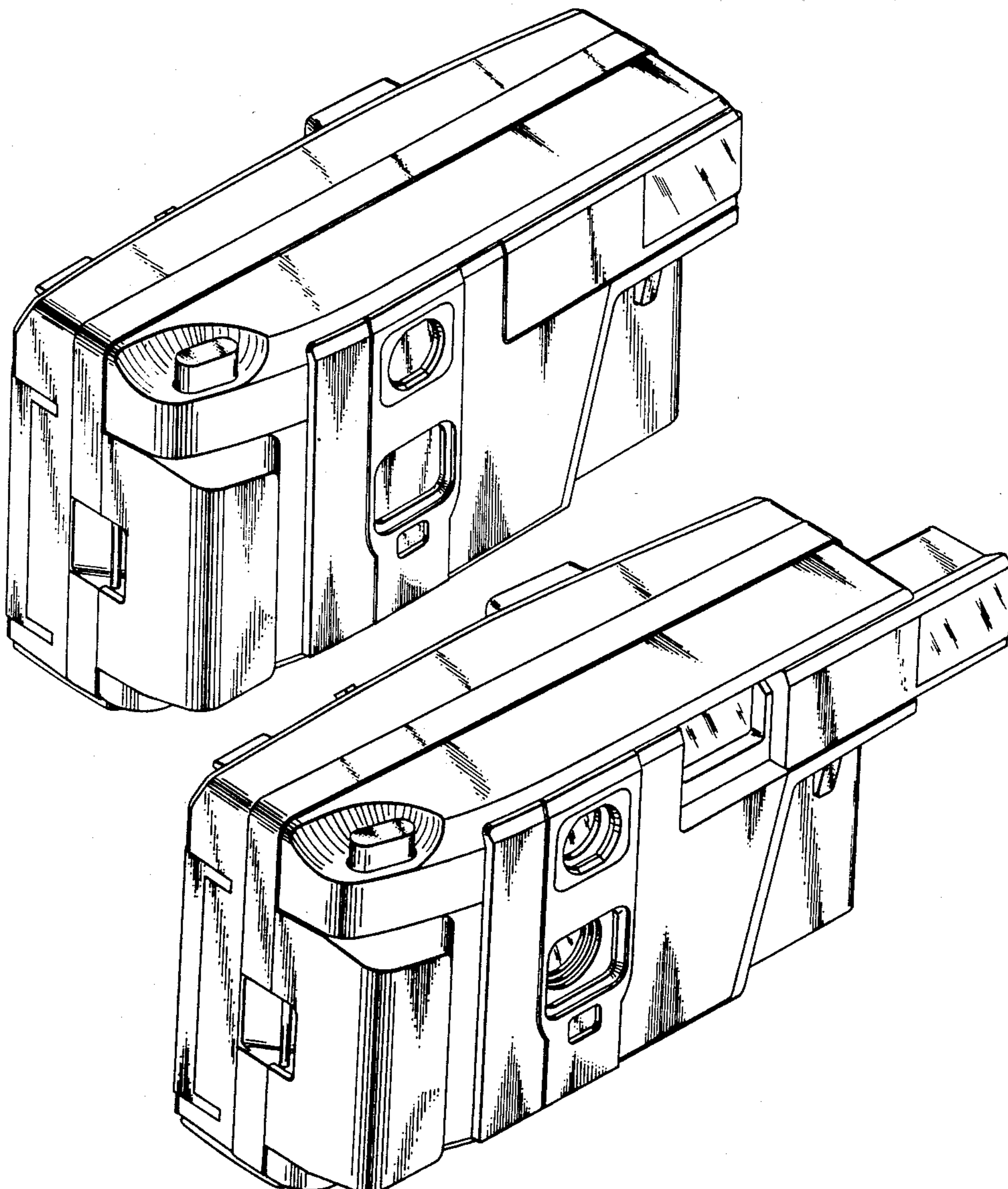
Primary Examiner—Bernard Ansher
Assistant Examiner—Adir Aronovich
Attorney, Agent, or Firm—Roger A. Fields

[57] CLAIM

The ornamental design for a still camera with a built-in flash unit, as shown.

DESCRIPTION

FIG. 1 is a top and left front perspective view of a still camera with a built-in flash unit, showing my new design, with the flash unit retracted;
FIG. 2 is a top and left front perspective view thereof, with the flash unit extended;
FIG. 3 is a bottom and right rear perspective view thereof, with the flash unit retracted and;
FIG. 4 is a perspective view similar to FIG. 3 but with the flash unit extended.



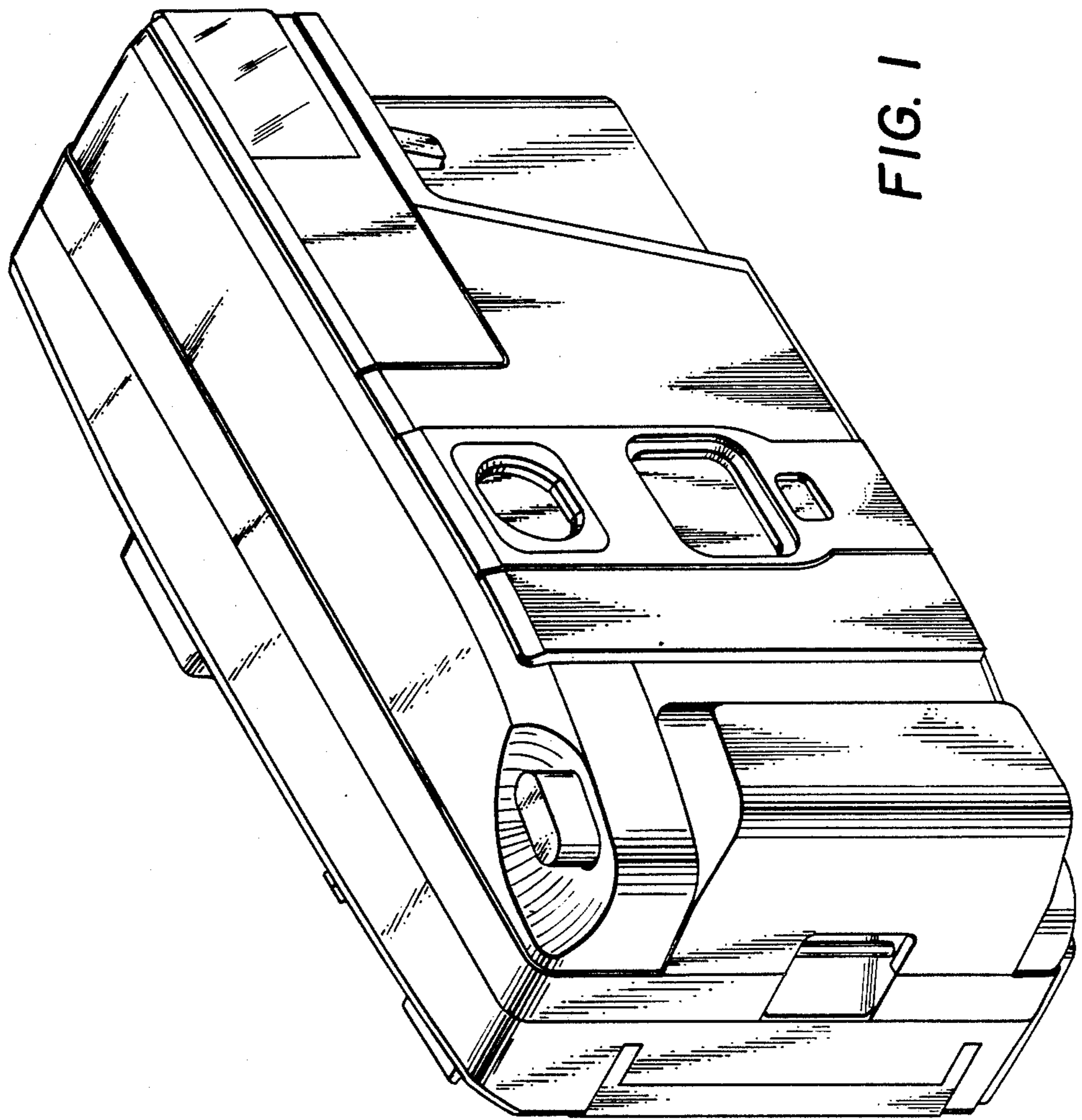


FIG. 1

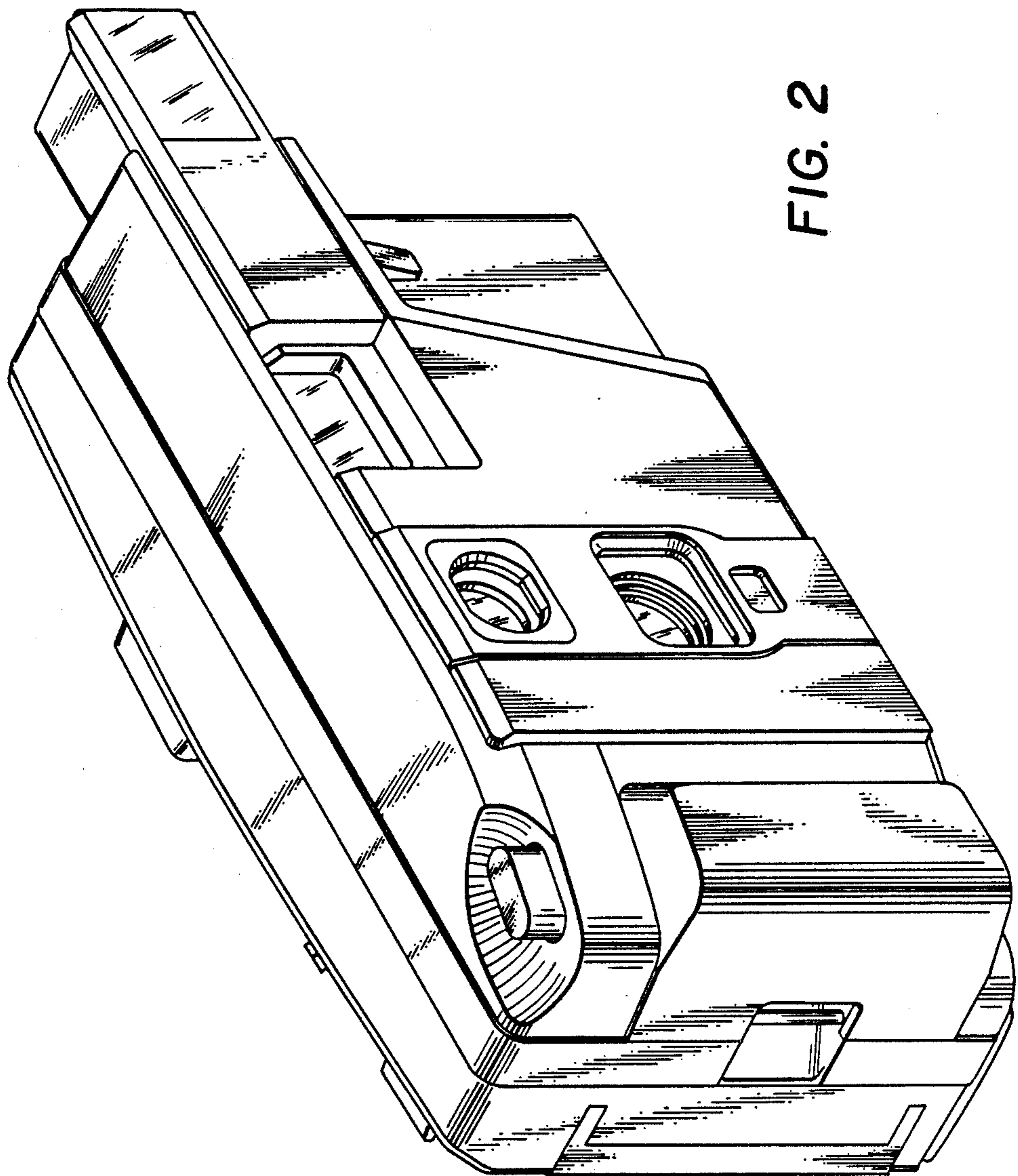


FIG. 2

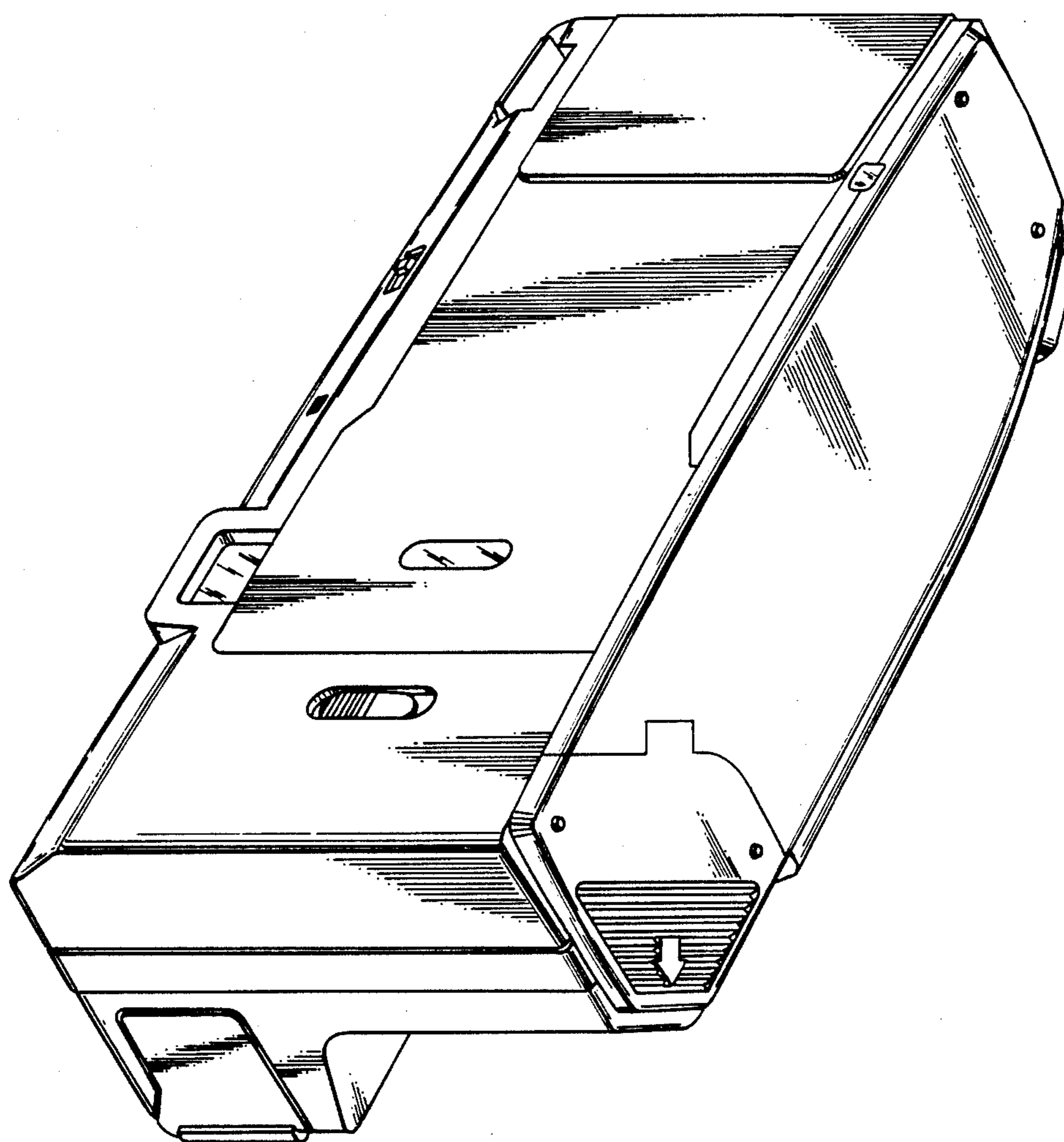


FIG. 3

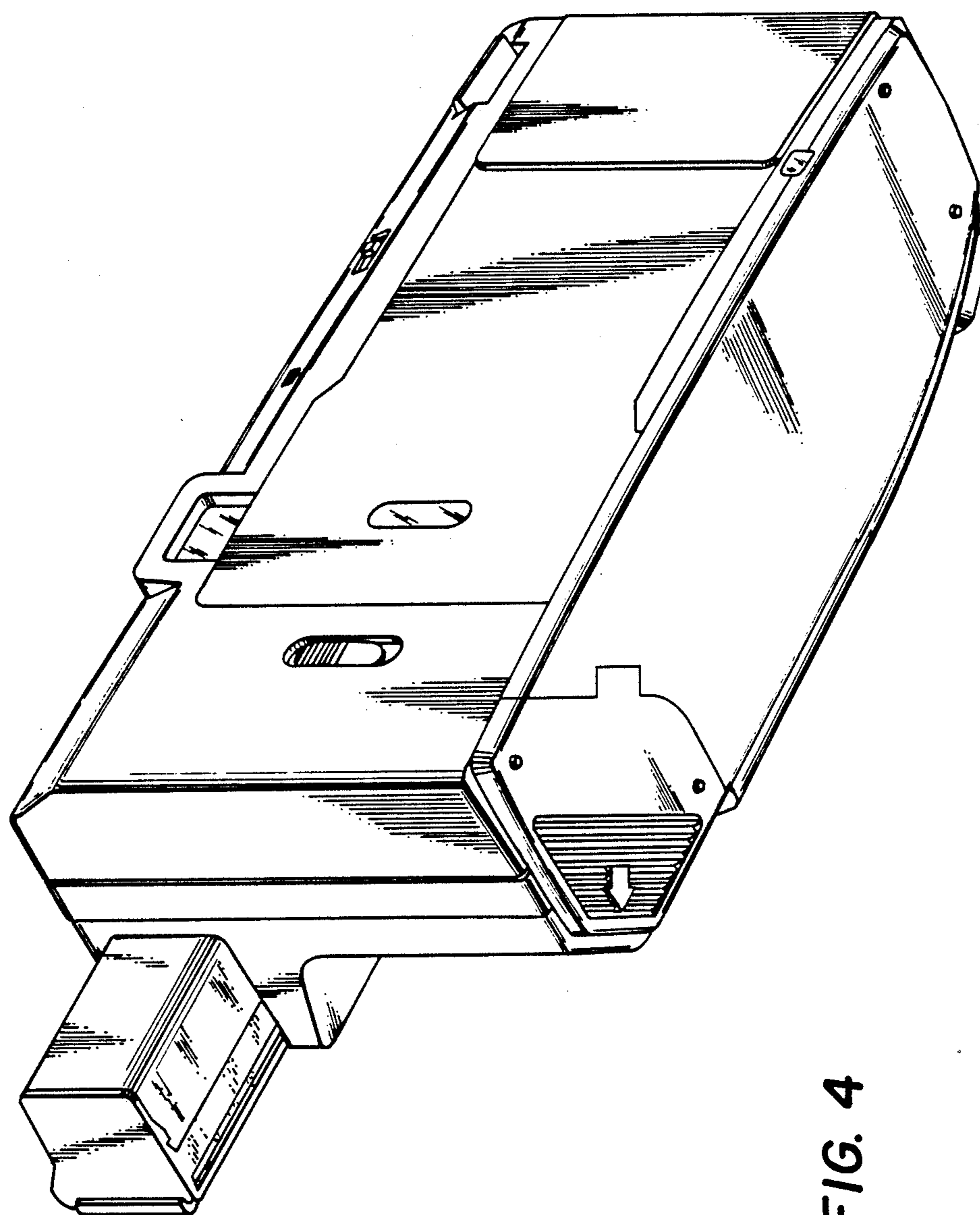


FIG. 4