

[54] **CAMERA HOUSING**

- [75] **Inventor:** William F. Kuester, III, Fresno, Calif.
[73] **Assignee:** Pelco, Clovis, Calif.
[**] **Term:** 14 Years
[21] **Appl. No.:** 160,095
[22] **Filed:** Feb. 25, 1988
[52] **U.S. Cl.** D16/203; D16/204
[58] **Field of Search** D16/200, 201, 202, 203, D16/204, 205; 354/288; 358/108, 229

[56] **References Cited**

U.S. PATENT DOCUMENTS

D. 273,012	3/1984	Kozlovski	D16/203
4,008,372	12/1977	Ueno et al.	358/229
4,394,692	7/1983	Randamäe et al.	358/229
4,414,576	11/1983	Randmæe	358/229
4,618,886	10/1986	Mooney	358/229

OTHER PUBLICATIONS

Vicon Industries Catalog (Model V8000H) 1982.
Vicon Industries Catalog (Model V8300H) 1981.
RCA Broadcast News, Jun. 1978, p. 38.

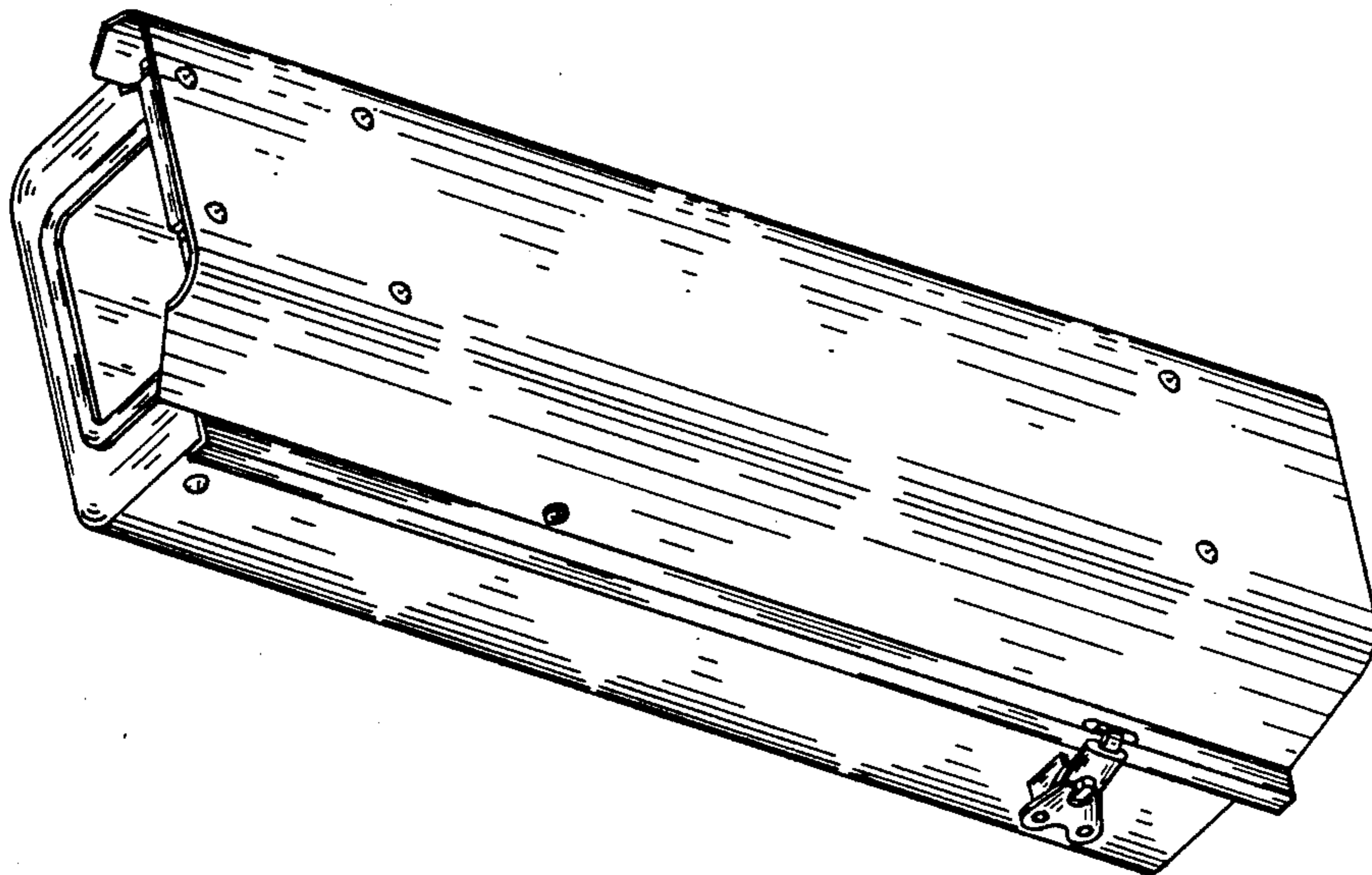
Primary Examiner—Bernard Ansher
Assistant Examiner—Adir Aronovich
Attorney, Agent, or Firm—Worrel & Worrel

[57] **CLAIM**

The ornamental design for a camera housing, as shown and described.

DESCRIPTION

FIG. 1 is a perspective view of the camera housing showing my new design.
FIG. 2 is a side elevational view thereof.
FIG. 3 is a side elevational view of the opposite side of the camera housing;
FIG. 4 is a top plan view thereof.
FIG. 5 is a bottom plan view thereof.
FIG. 6 is a front elevational view thereof.
FIG. 7 is a rear elevational view thereof.



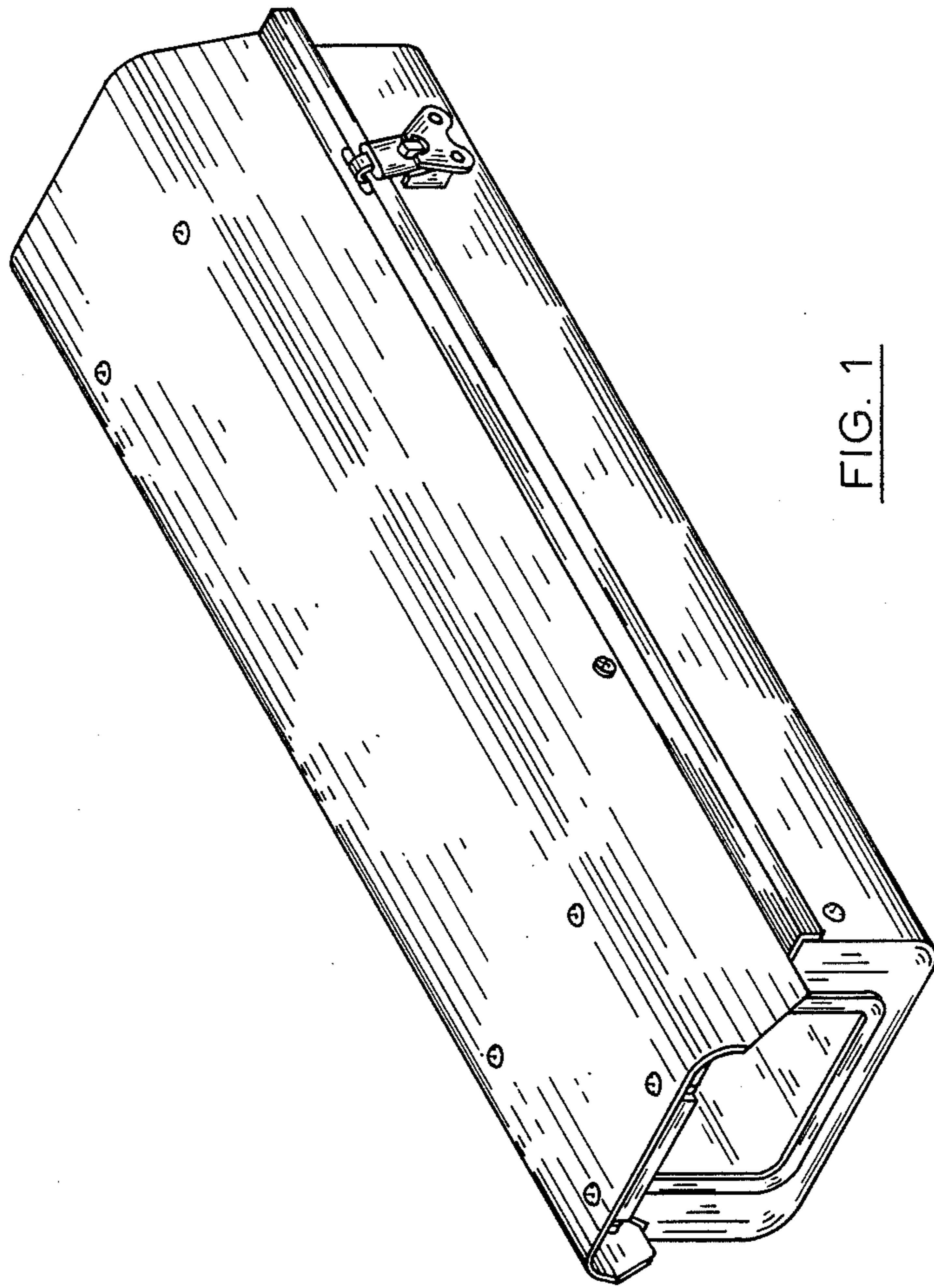


FIG. 1

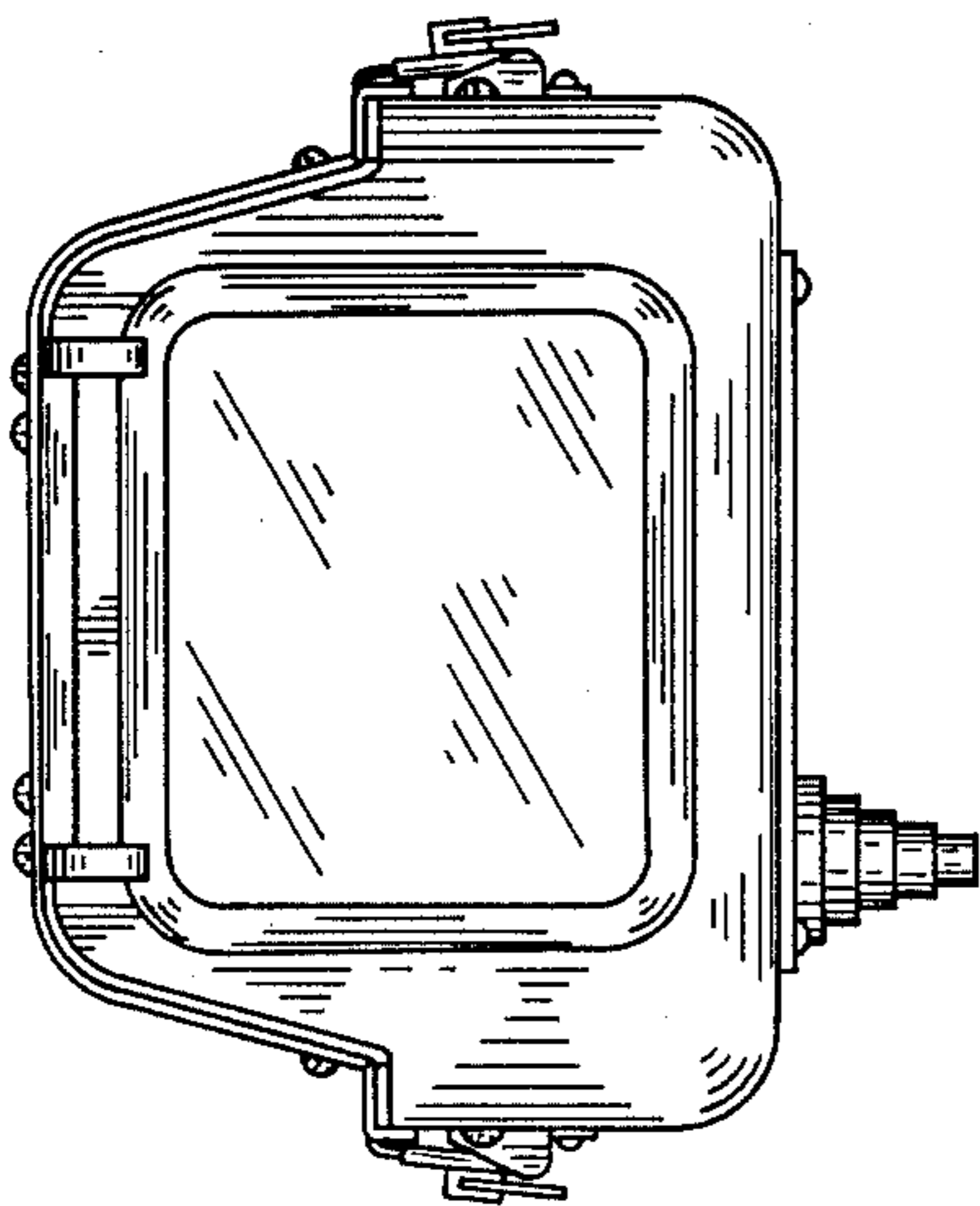


FIG. 6

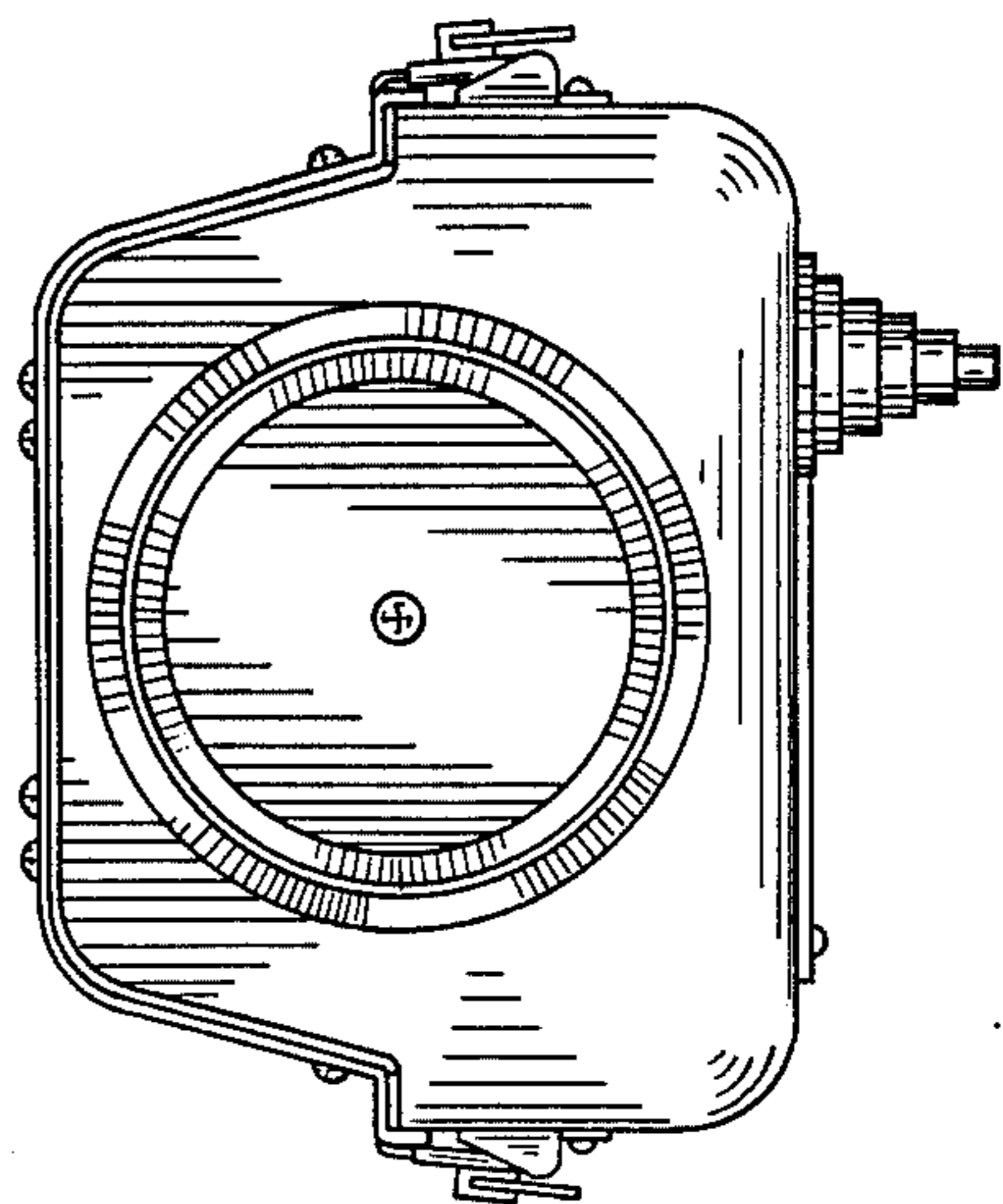


FIG. 7

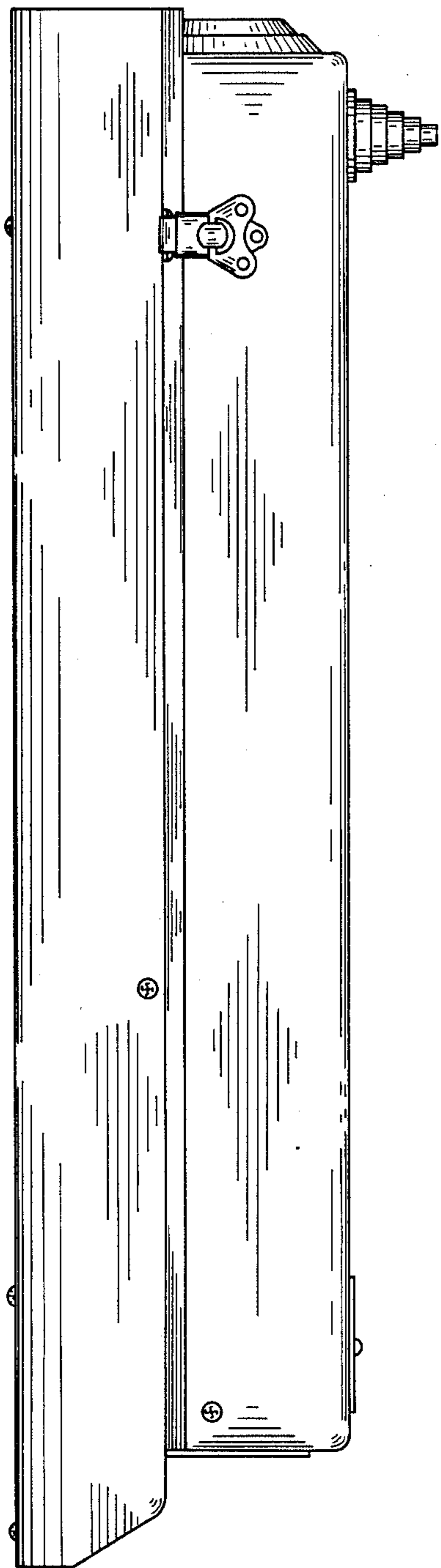


FIG. 2

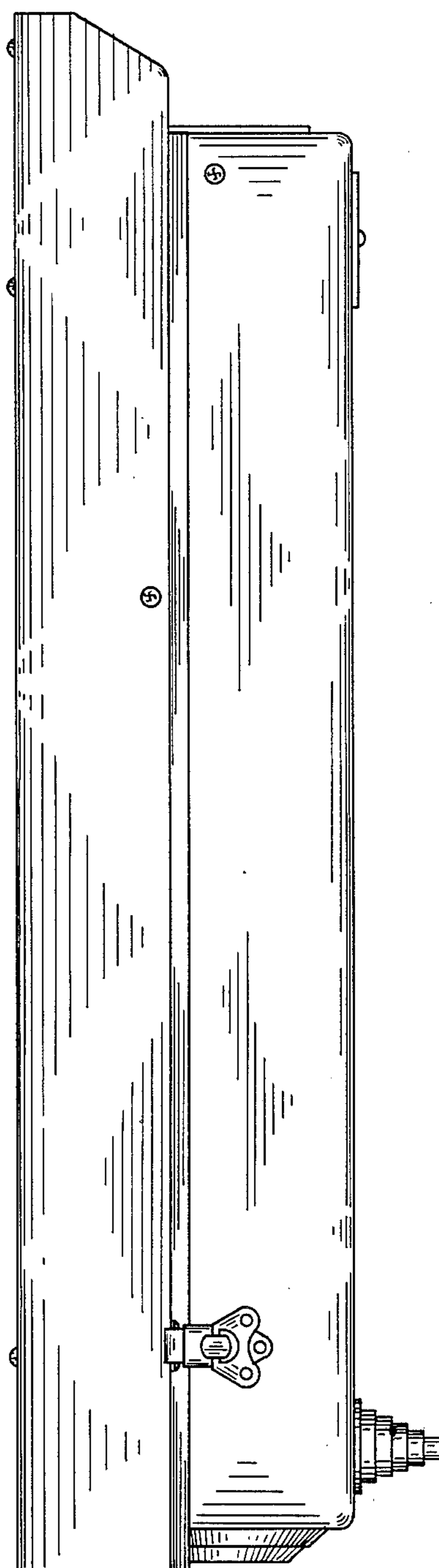


FIG. 3

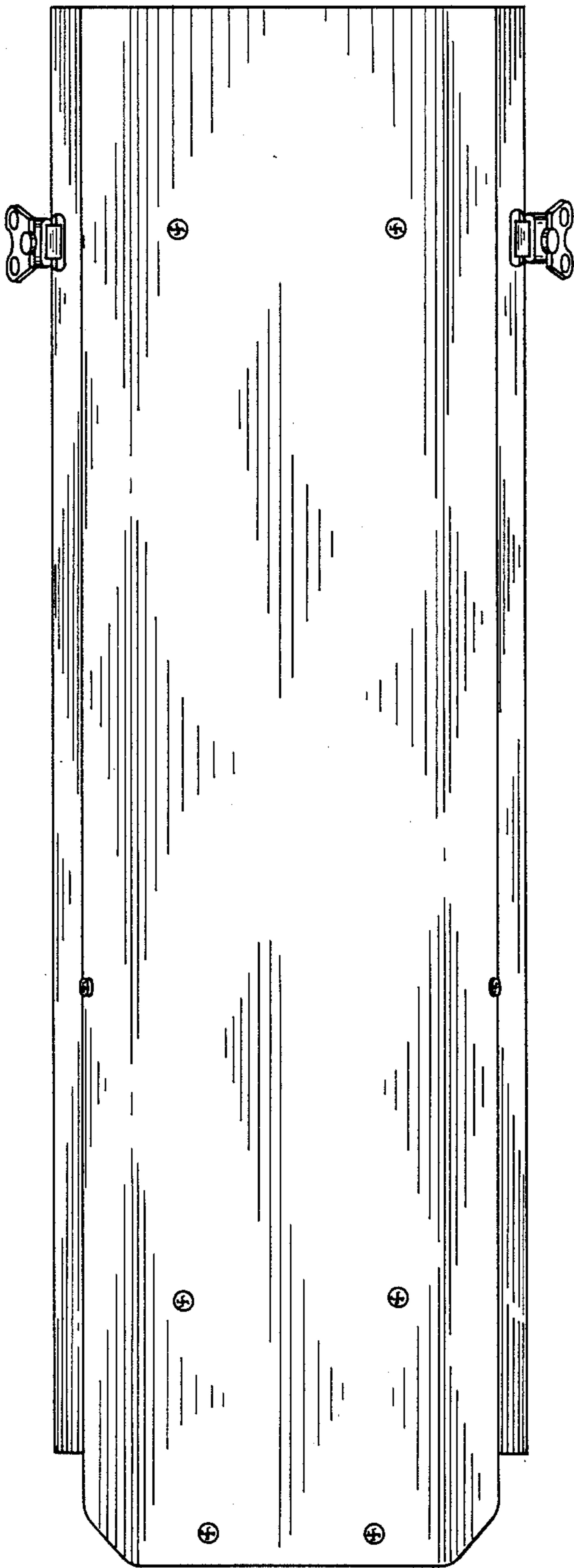


FIG. 4

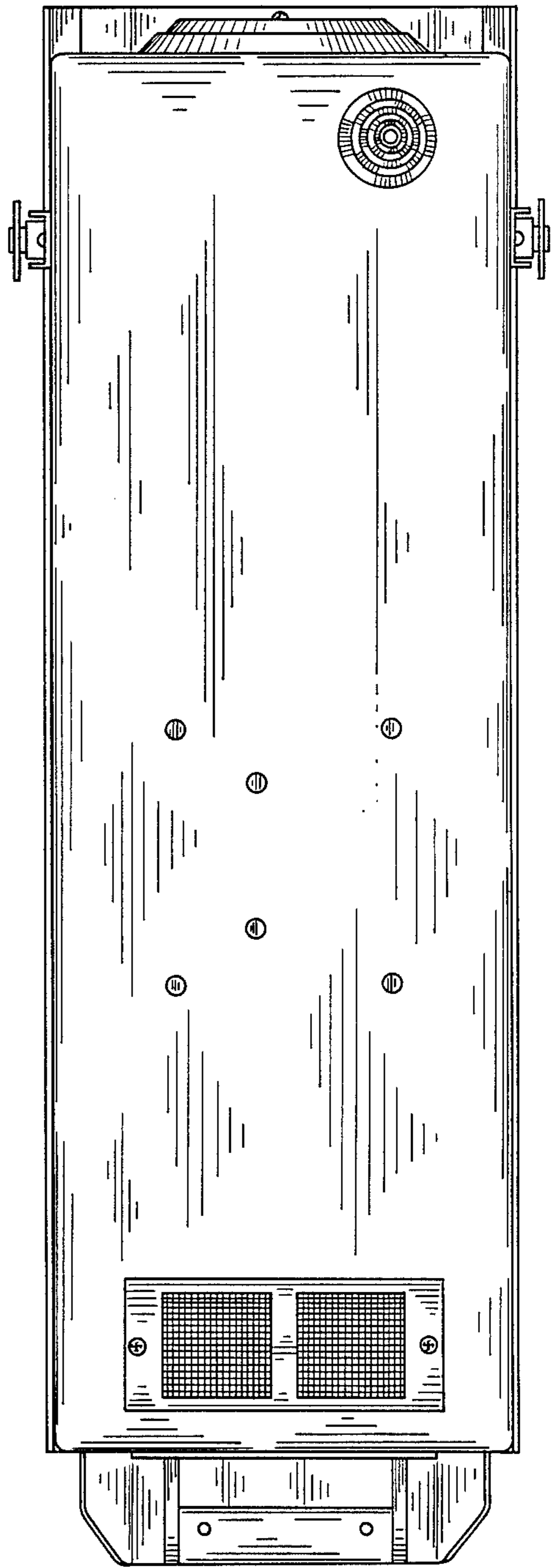


FIG. 5