

[54] **PRISM ASSEMBLY**

[75] **Inventors:** Galen L. Buckley, Dana Point;  
Kenneth G. Selesky, San Juan  
Capistrano; Daniel M. Houston,  
Costa Mesa, all of Calif.

[73] **Assignee:** Pyramid Optical, Irvine, Calif.

[\*\*] **Term:** 14 Years

[21] **Appl. No.:** 245,054

[22] **Filed:** Sep. 14, 1988

[52] **U.S. Cl.** ..... D16/137

[58] **Field of Search** ..... D16/137, 136; 350/281,  
350/287, 258, 569, 102, 107; 356/19, 247;  
33/293, 277, 280

[56]

**References Cited**

**U.S. PATENT DOCUMENTS**

D. 204,319	4/1966	Stewart .....	D16/137
4,311,382	1/1982	Buckley et al. ....	350/102 X
4,470,664	9/1984	Shirasawa .....	350/287 X
4,519,674	5/1985	Buckley et al. ....	350/102

*Primary Examiner*—A. Hugo Word  
*Assistant Examiner*—Doris V. Coles  
*Attorney, Agent, or Firm*—Leonard Tachner

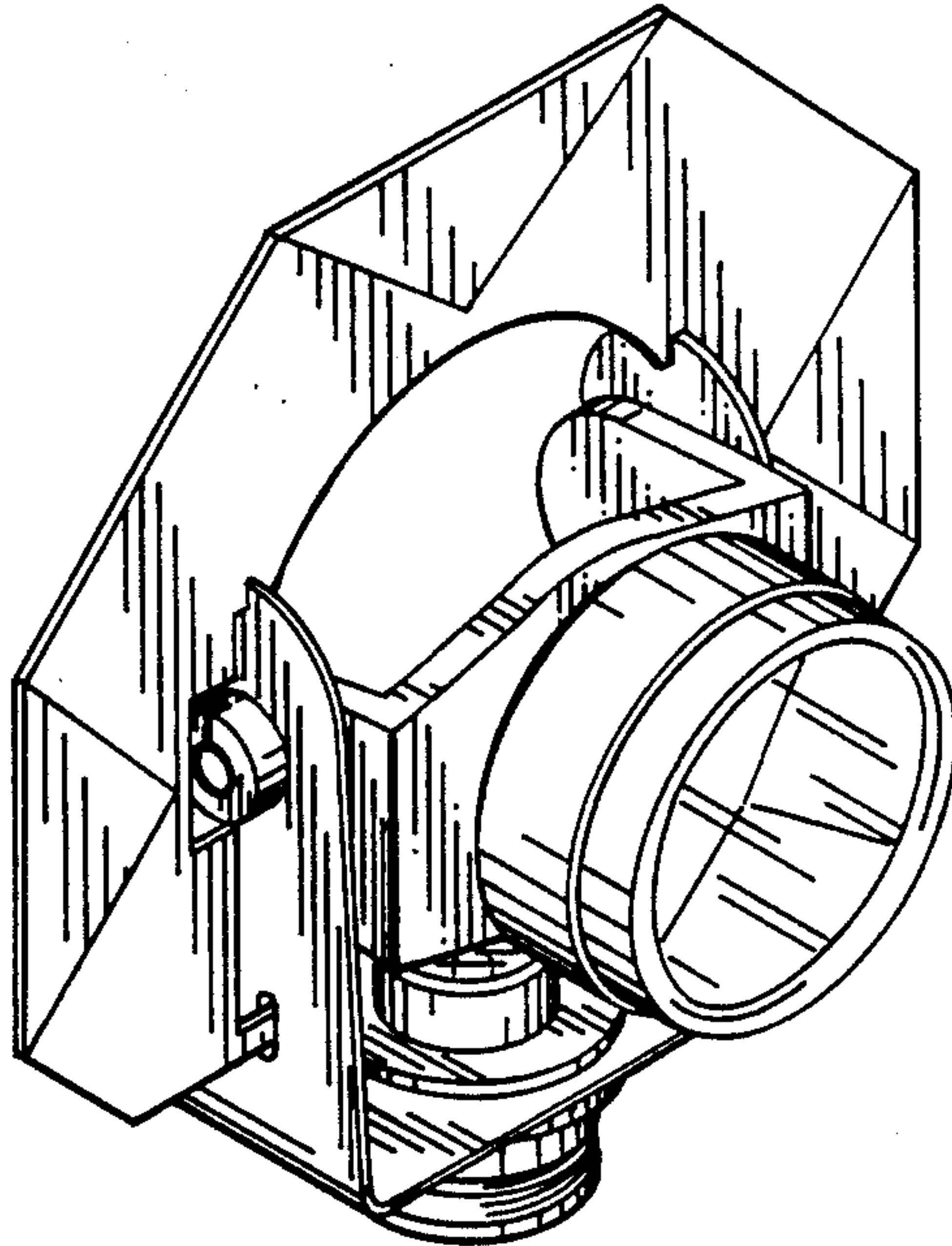
[57]

**CLAIM**

The ornamental design for a prism assembly, as shown and described.

**DESCRIPTION**

FIG. 1 is a perspective view of a prism assembly, showing our new design;  
FIG. 2 is a front elevational view thereof;  
FIG. 3 is a rear elevational view thereof;  
FIG. 4 is a top plan view thereof;  
FIG. 5 is a bottom plan view thereof; and  
FIG. 6 is a side elevational view thereof.



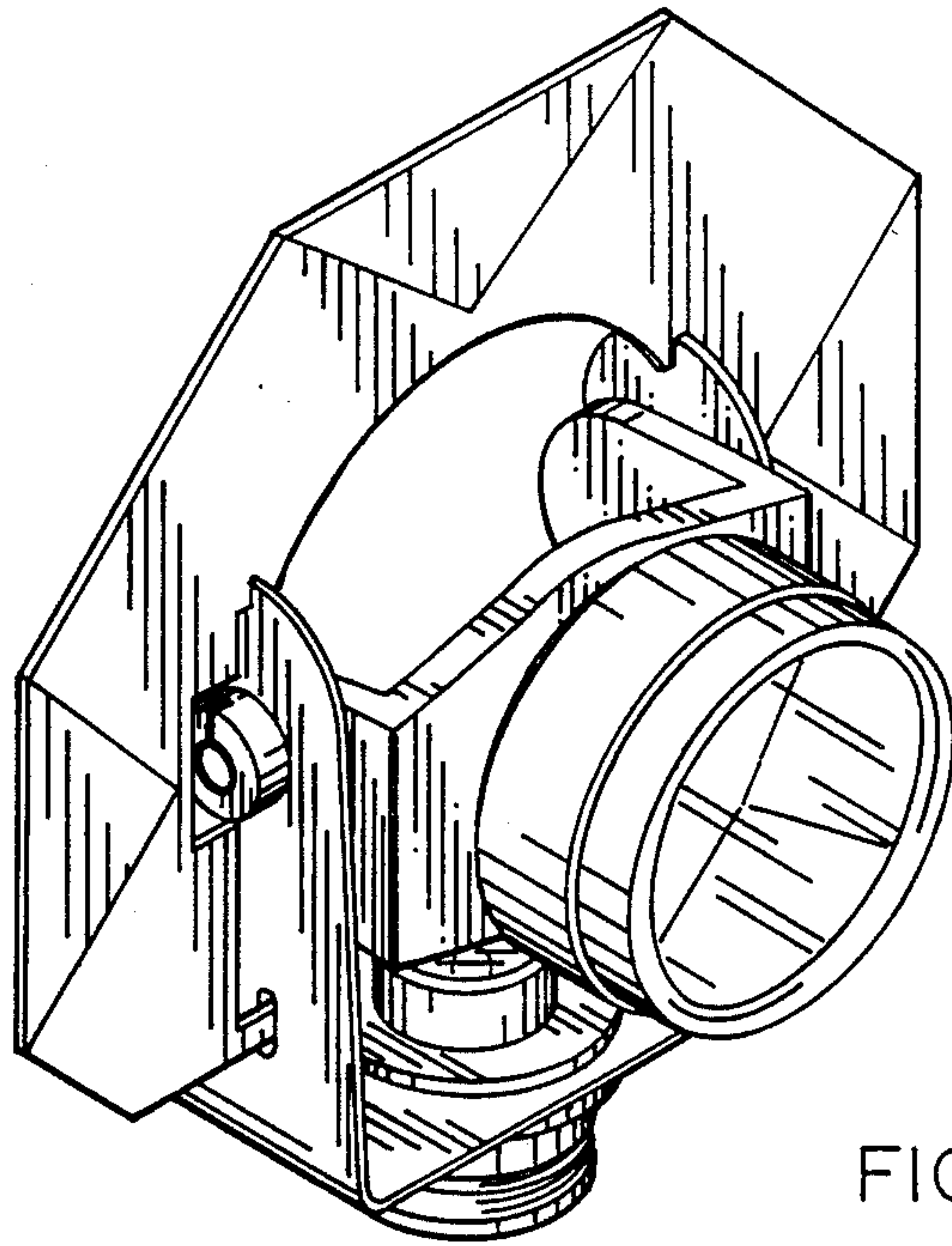


FIG. 1

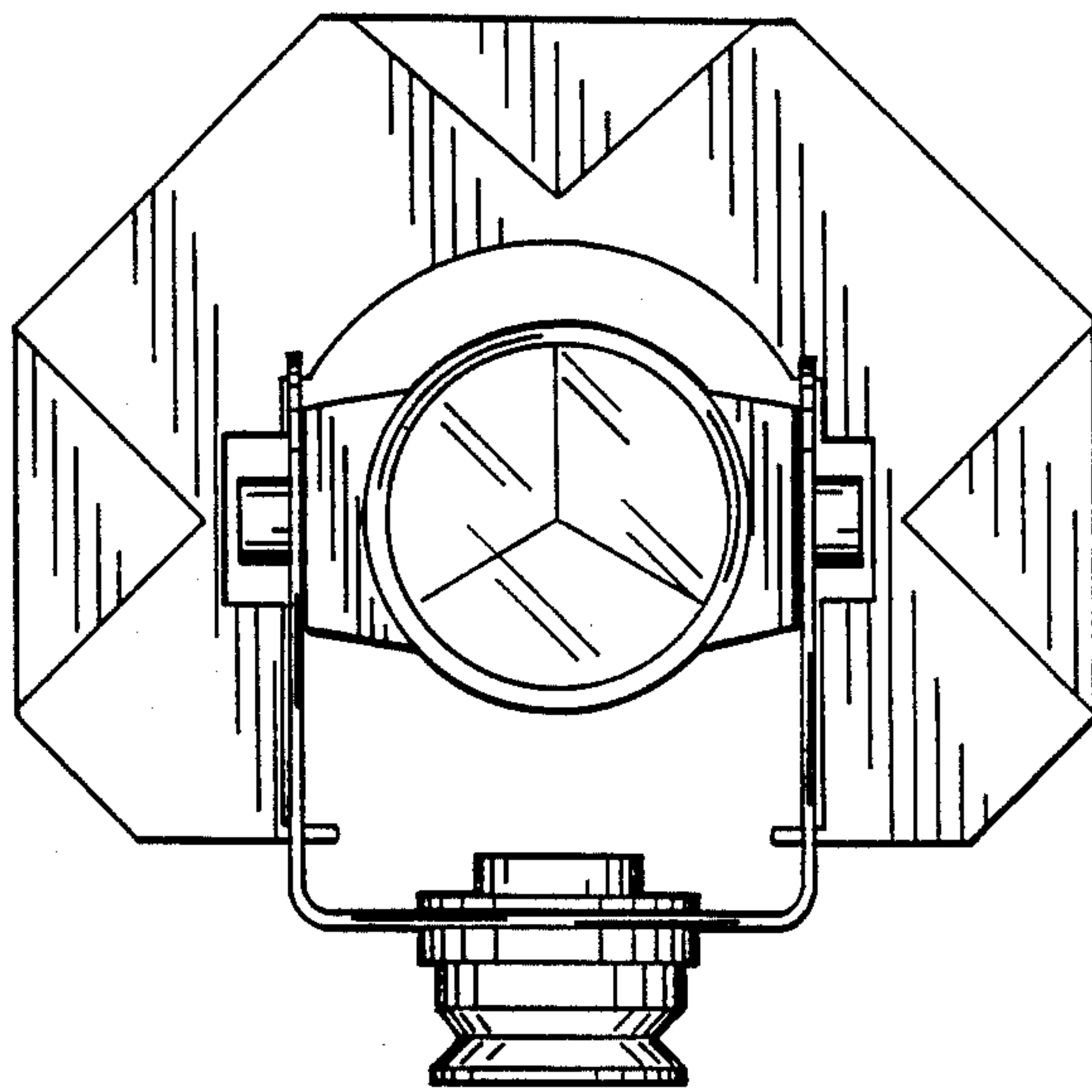


FIG. 2

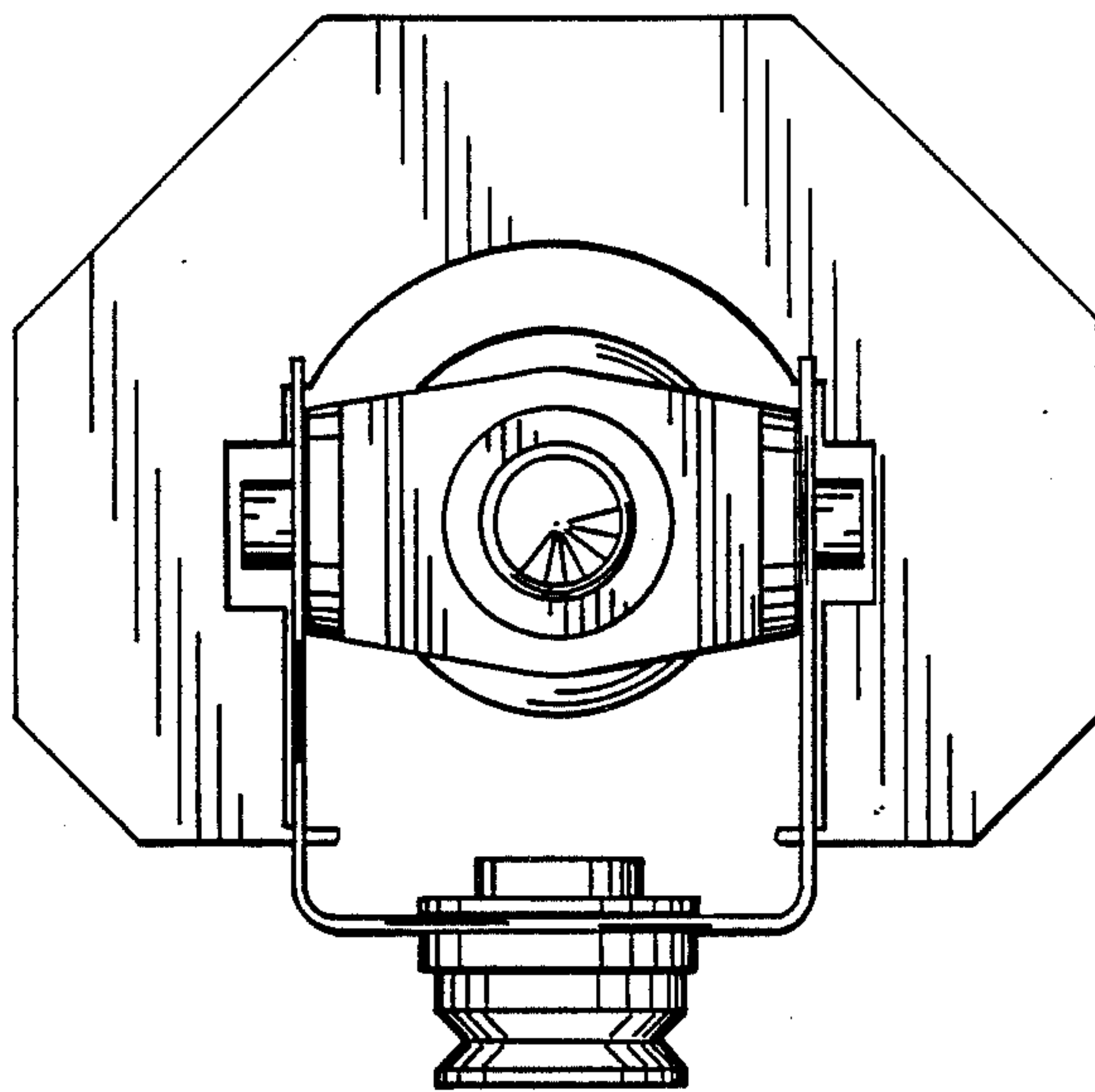


FIG. 3

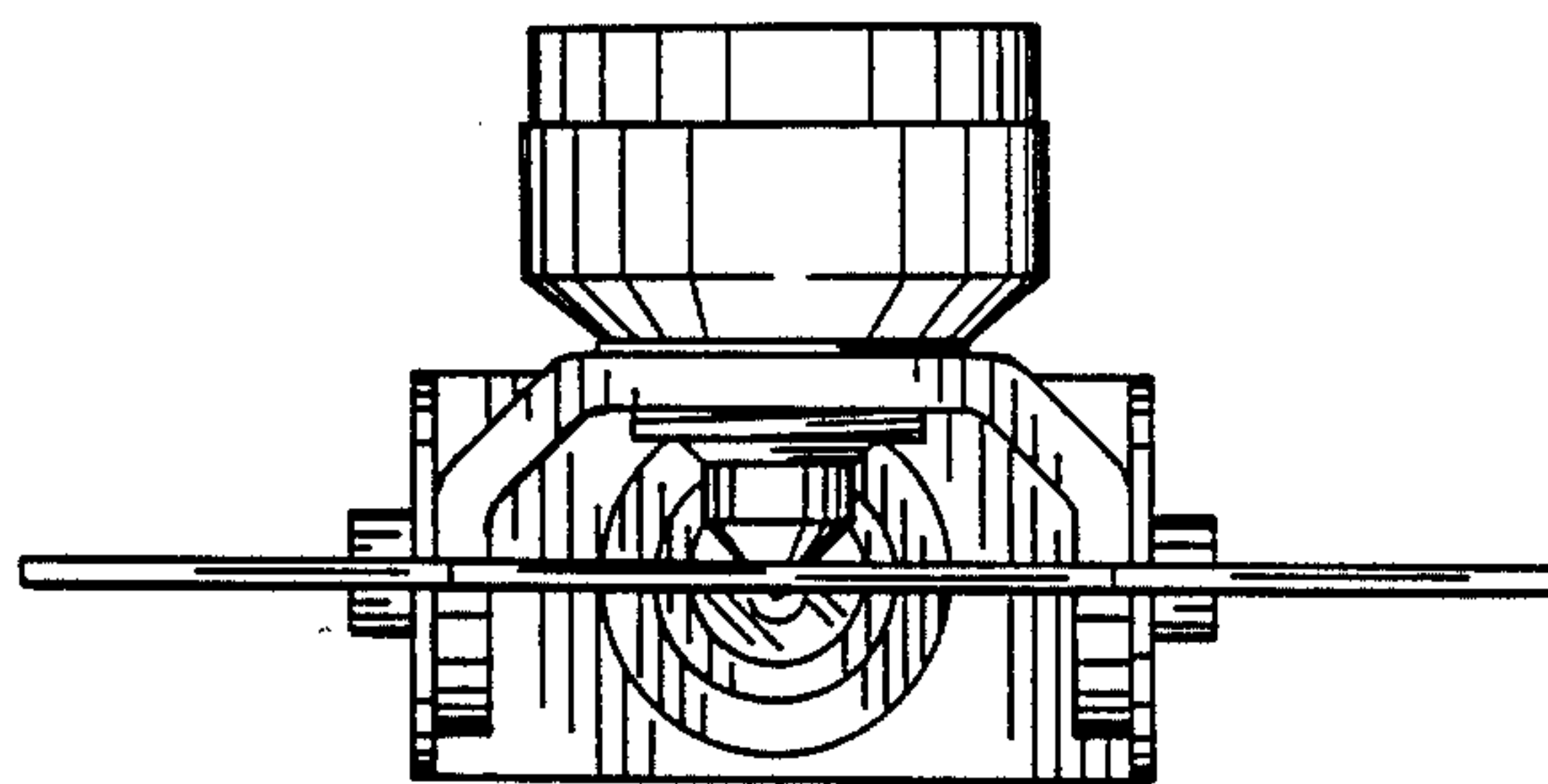


FIG. 4

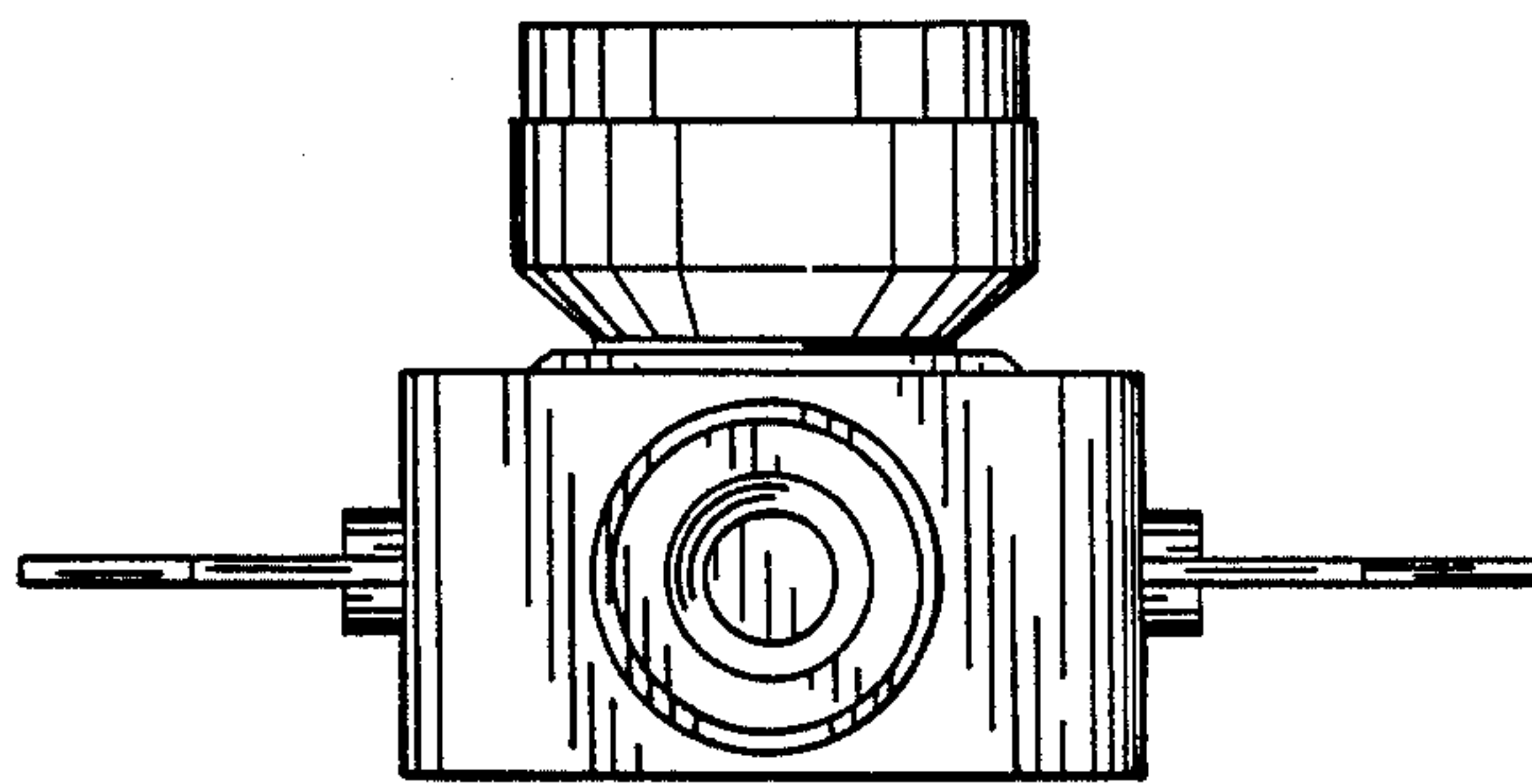


FIG. 5

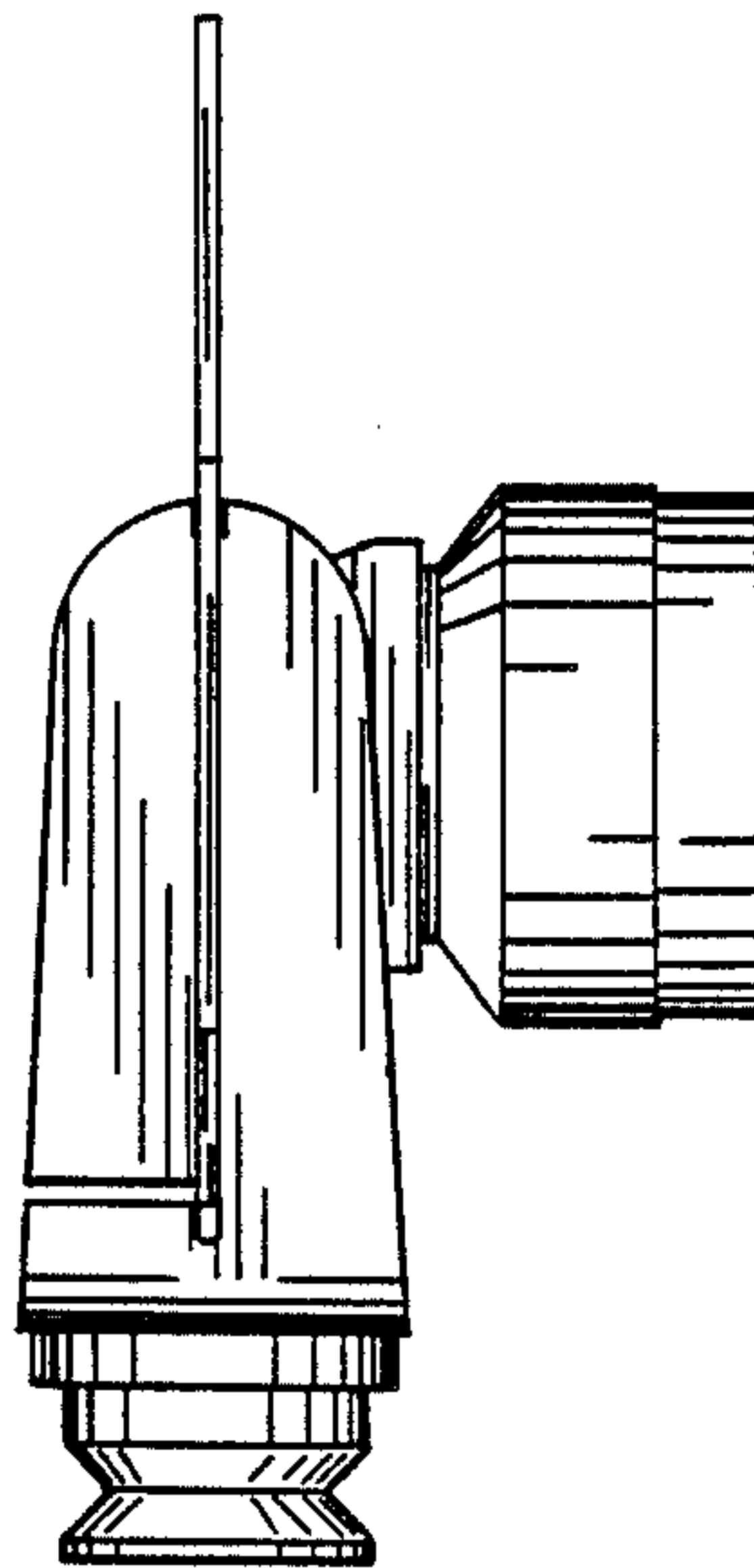


FIG. 6