

[54] LUBRICATOR

[75] Inventors: Yoshinari Ogasawara, Kasugai; Kouichi Miyake, Kani, both of Japan

[73] Assignee: CKD Kabushiki Kaisha, Komaki, Japan

[*] Notice: The portion of the term of this patent subsequent to May 10, 2002 has been disclaimed.

[**] Term: 14 Years

[21] Appl. No.: 882,625

[22] Filed: Jul. 3, 1986

[30] Foreign Application Priority Data

Feb. 5, 1986 [JP] Japan 61-3783

[52] U.S. Cl. D15/150

[58] Field of Search D15/150, 9.1; 184/14, 184/26, 96

[56]

References Cited

U.S. PATENT DOCUMENTS

D. 136,951	1/1944	Gallo	D15/150
D. 145,393	8/1946	Folke et al.	D15/150
2,616,523	11/1952	Davis	184/26
3,326,323	6/1967	Delker	184/26
4,342,376	8/1982	Lyden	184/96

Primary Examiner—B. J. Bullock

Assistant Examiner—Dominic Simone

Attorney, Agent, or Firm—Neuman, Williams, Anderson & Olson

[57]

CLAIM

The ornamental design for a lubricator, as shown and described.

DESCRIPTION

FIG. 1 is a perspective view of the lubricator, embodying our new design;

FIG. 2 is a front elevational view thereof;

FIG. 3 is a right side elevational view thereof;

FIG. 4 is a rear elevational view thereof;

FIG. 5 is a left side elevational view thereof;

FIG. 6 is a top plan view thereof;

FIG. 7 is a bottom plan view thereof.

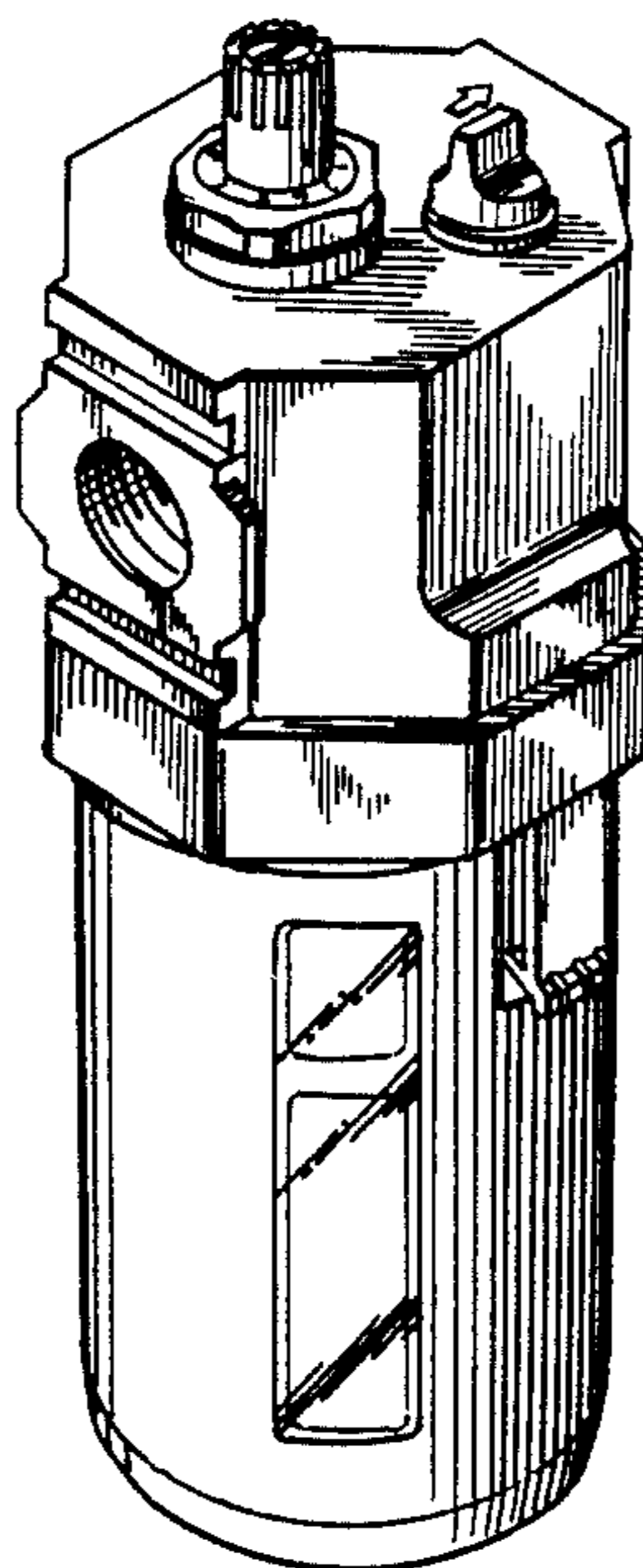


FIG-3

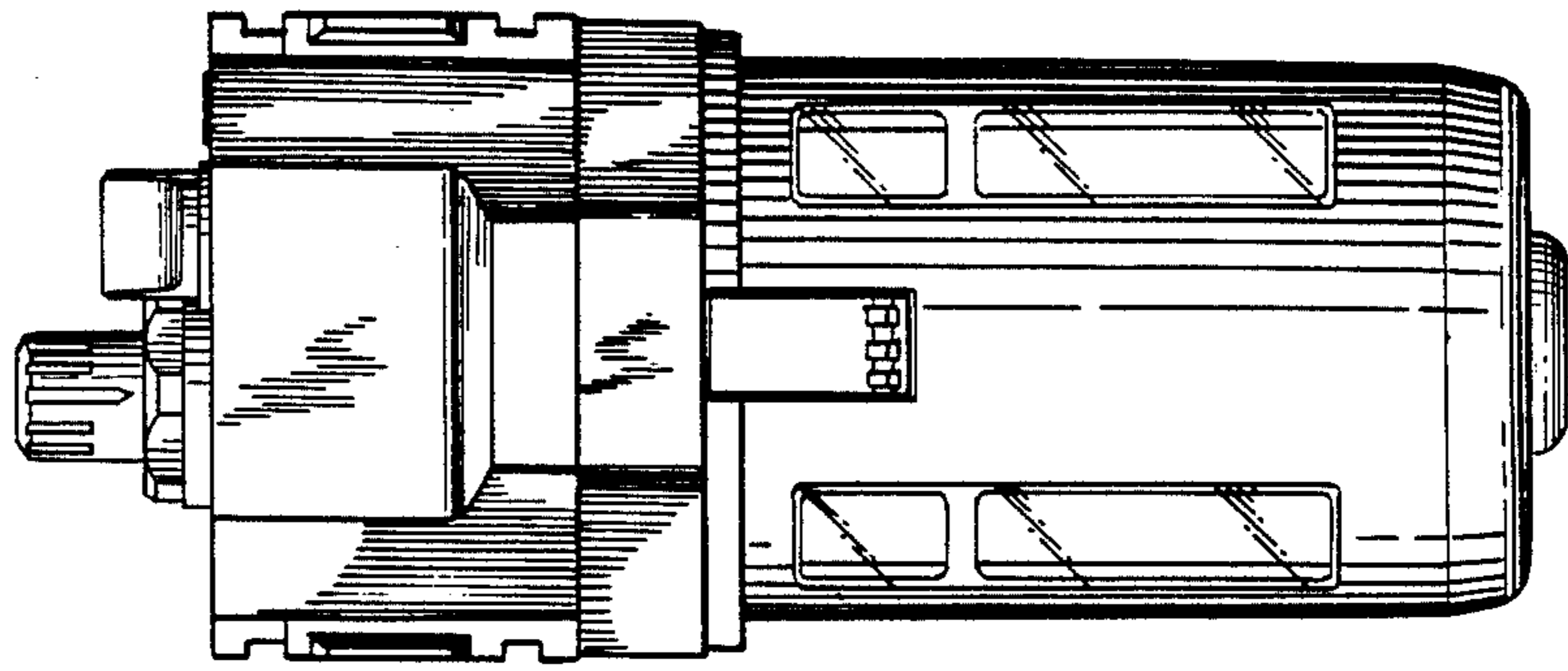


FIG-2

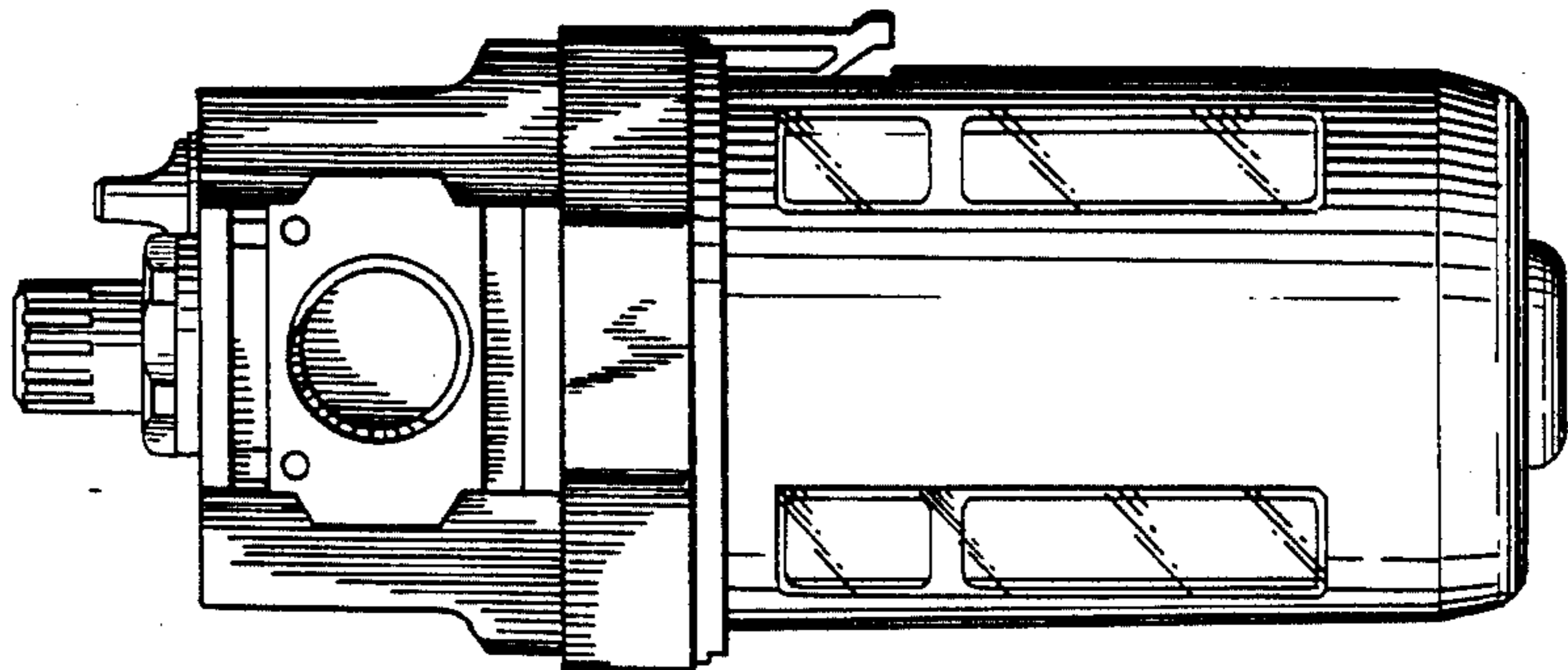
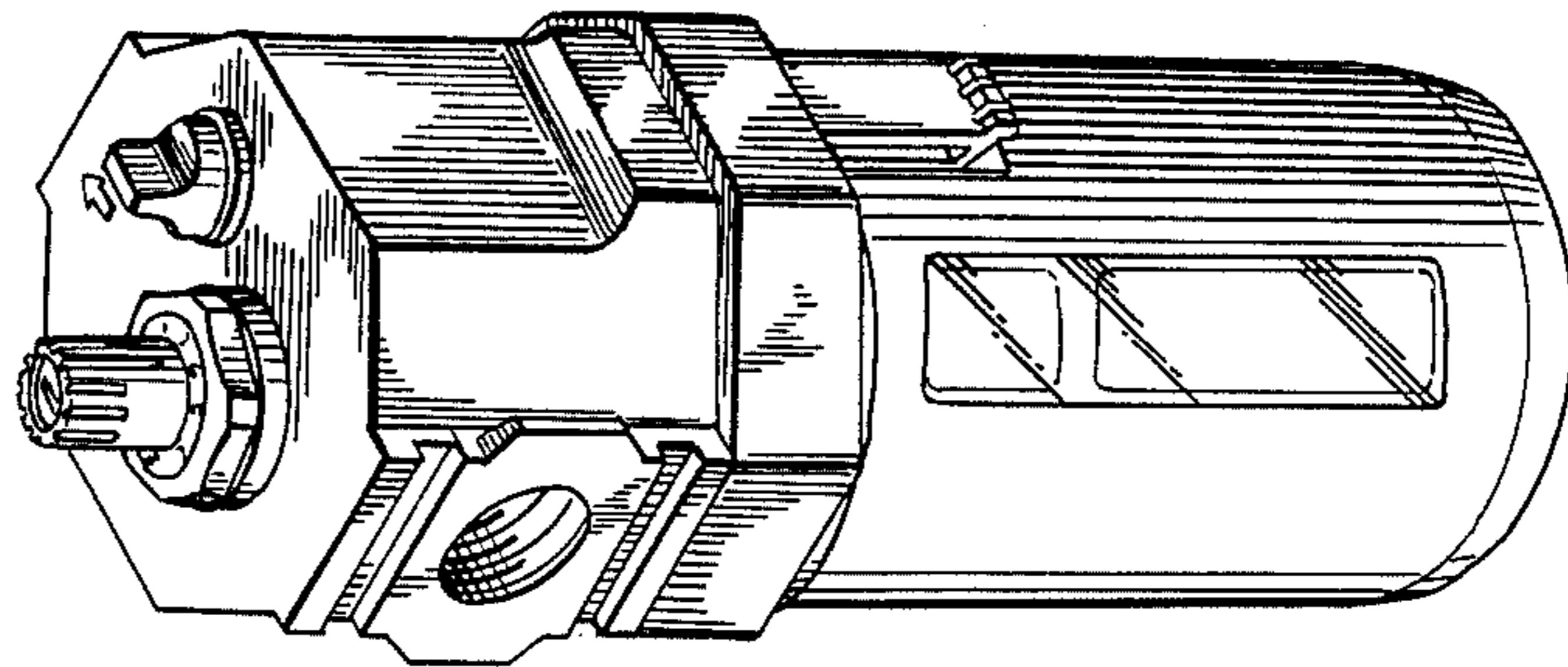


FIG-1



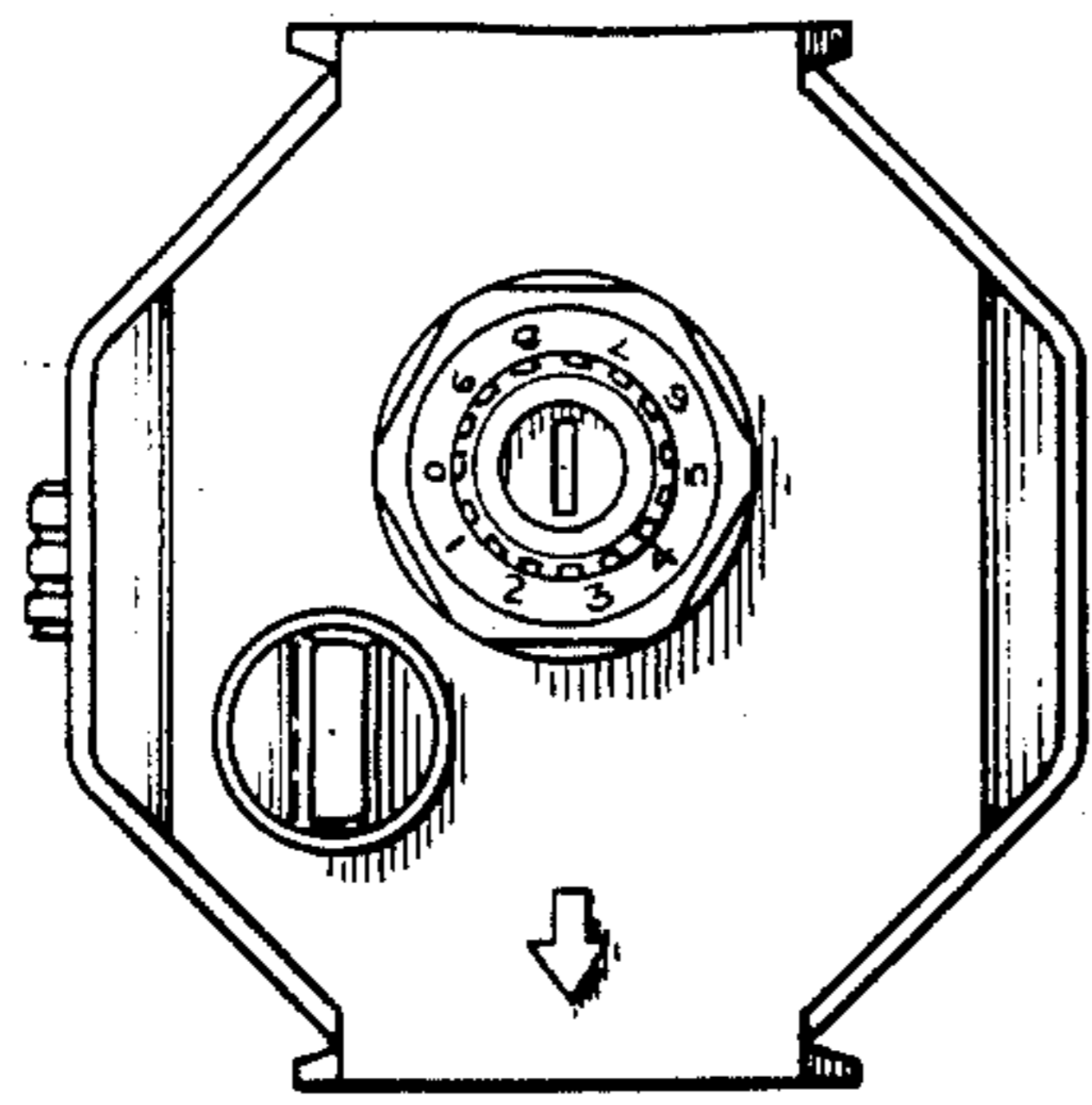


FIG-6

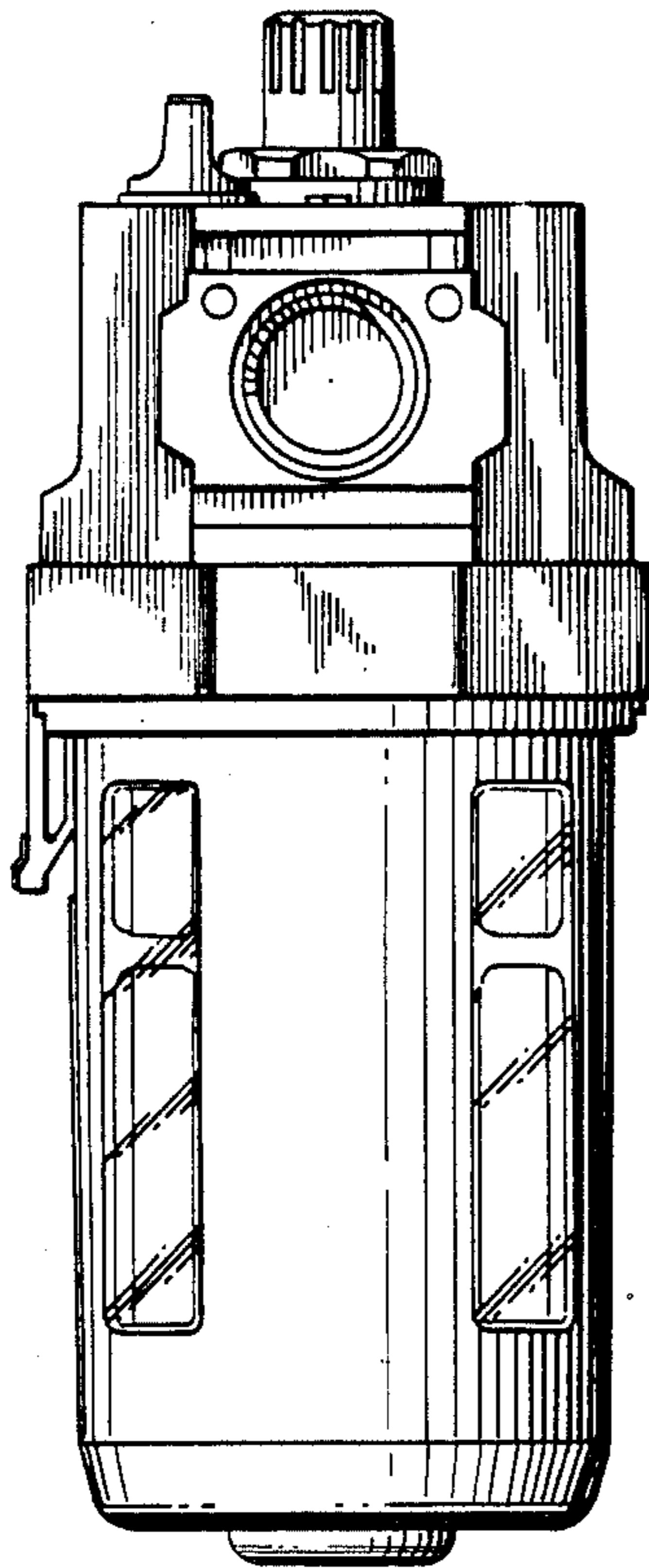


FIG-4

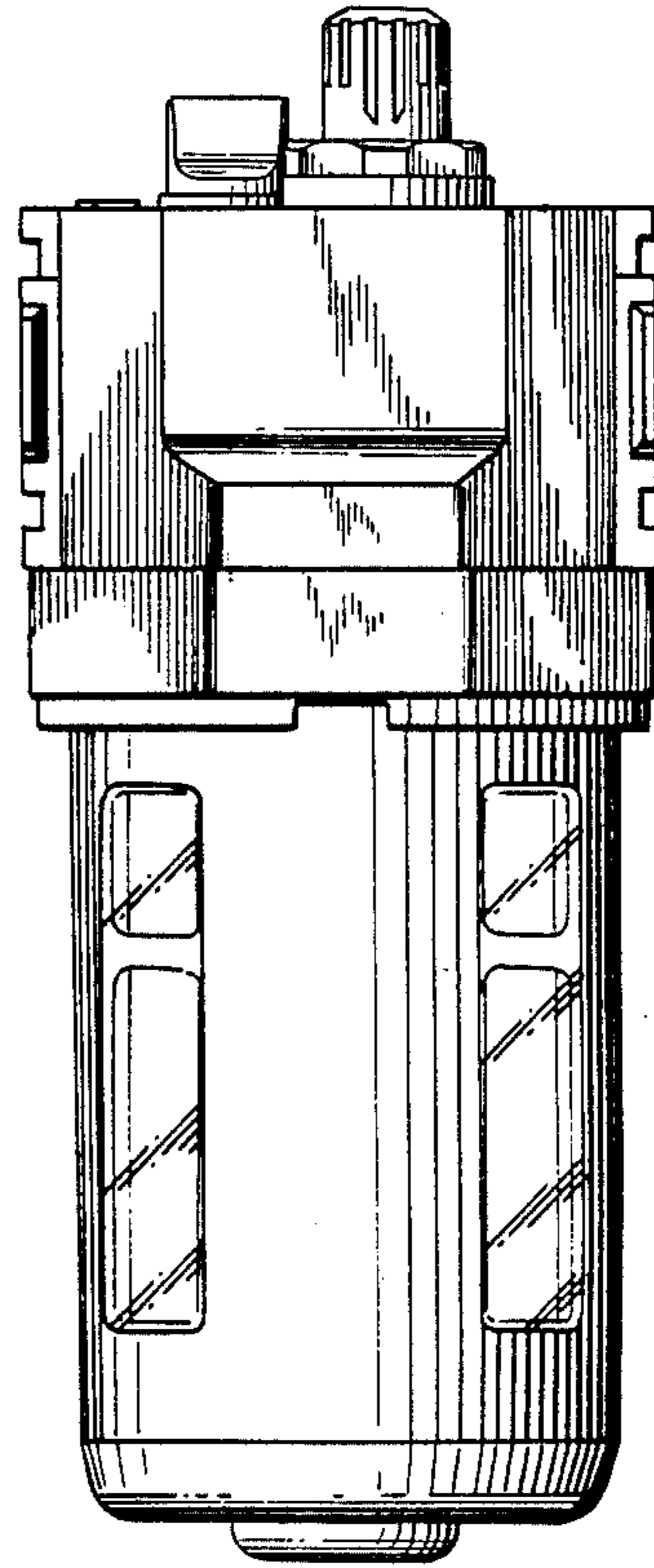


FIG-5

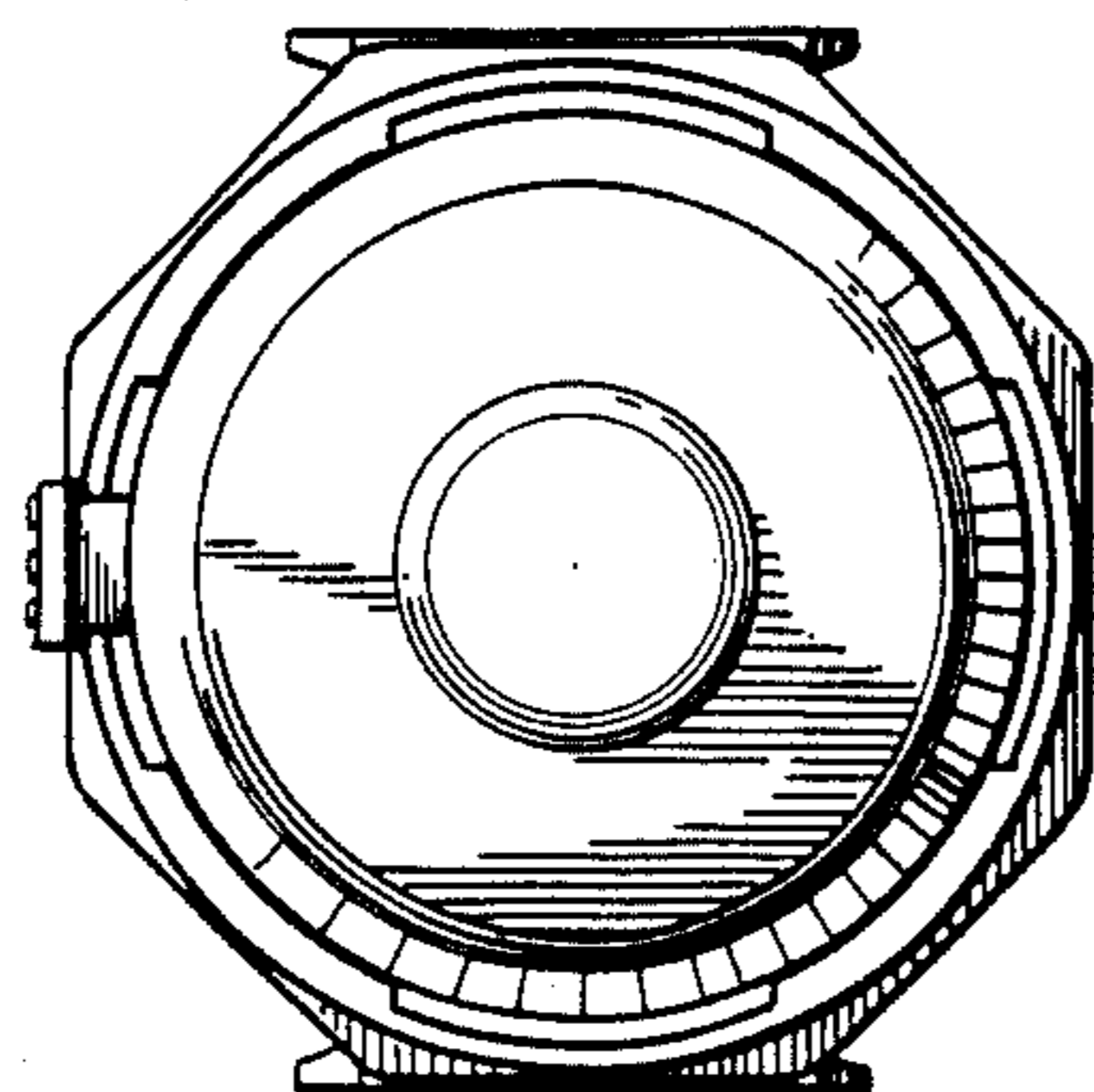


FIG-7