

[54] **SNOWBLOWER**

[75] **Inventors: Isao Yoshida, Kamifukuoka; Joji Maeda, Hoya, both of Japan**

[73] **Assignee: Honda Giken Kogyo Kabushiki Kaisha, Tokyo, Japan**

[**] **Term: 14 Years**

[21] **Appl. No.: 288,752**

[22] **Filed: Dec. 27, 1988**

[30] **Foreign Application Priority Data**

Jul. 22, 1988 [JP] Japan 63-29324

[52] **U.S. Cl. D15/12**

[58] **Field of Search D15/10, 11, 12; 37/244, 37/248, 251, 252, 257, 258, 259, 260, 262**

[56] **References Cited**

U.S. PATENT DOCUMENTS

- D. 199,033 9/1964 Brennan D15/12
- D. 201,287 6/1965 Brennan D15/12
- D. 269,092 5/1983 Davies D15/12
- D. 270,057 8/1983 Nakamura D15/12

FOREIGN PATENT DOCUMENTS

- 0239522 3/1987 European Pat. Off. 37/262
- 0549066 6/1979 Japan .

OTHER PUBLICATIONS

John Deere catalog 1/7/81 no page number.

Primary Examiner—B. J. Bullock

Assistant Examiner—Sandra Morris

Attorney, Agent, or Firm—Schwartz & Weinrieb

[57] **CLAIM**

The ornamental design for a snowblower, as shown.

DESCRIPTION

FIG. 1 is a side elevational view of a snowblower showing our new design;

FIG. 2 is a side elevational view thereof, of the opposite side of FIG. 1;

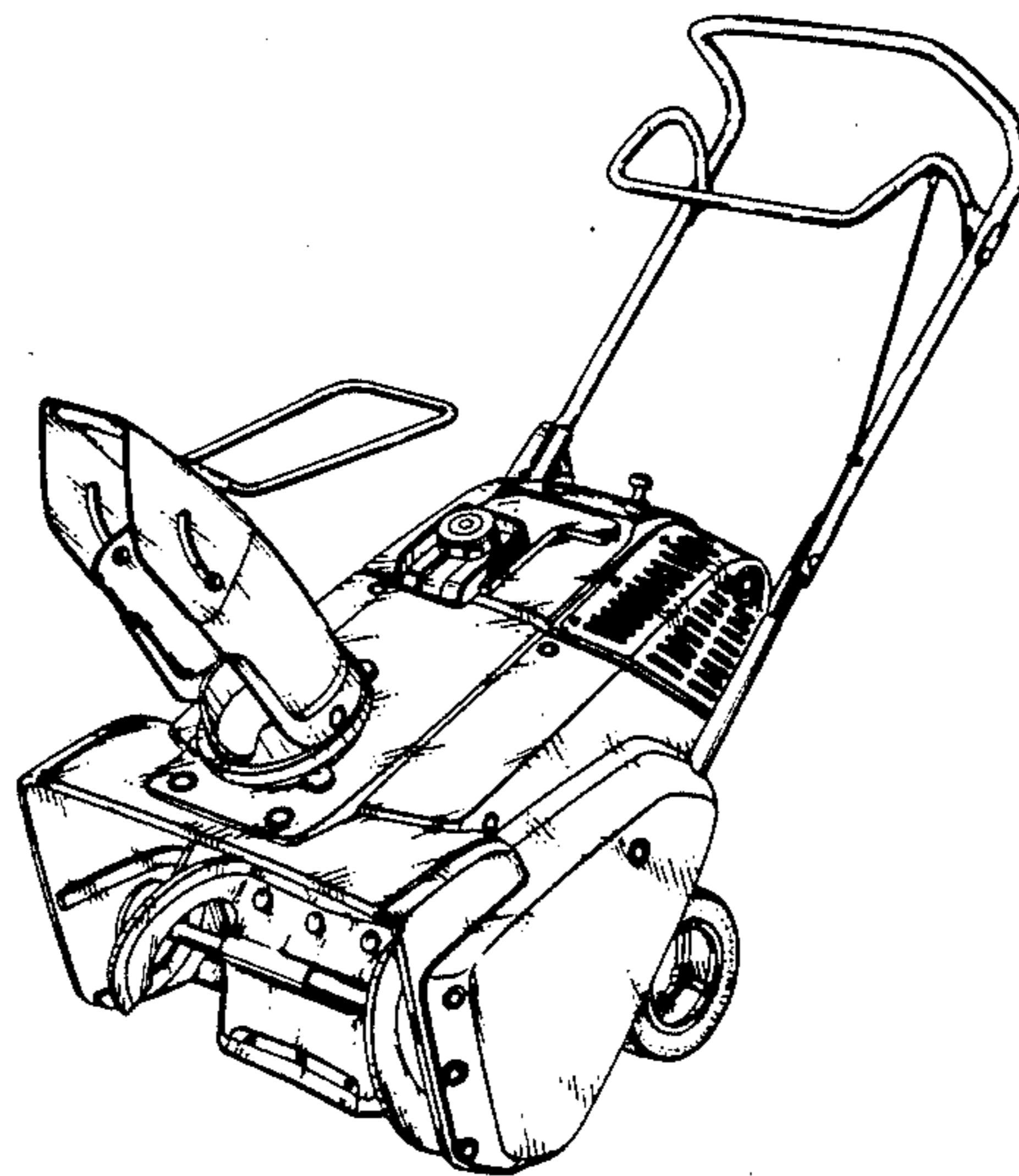
FIG. 3 is a top plan view thereof;

FIG. 4 is a bottom plan view thereof;

FIG. 5 is a front elevational view thereof;

FIG. 6 is a rear elevational view thereof.

FIG. 7 is a perspective view thereof.



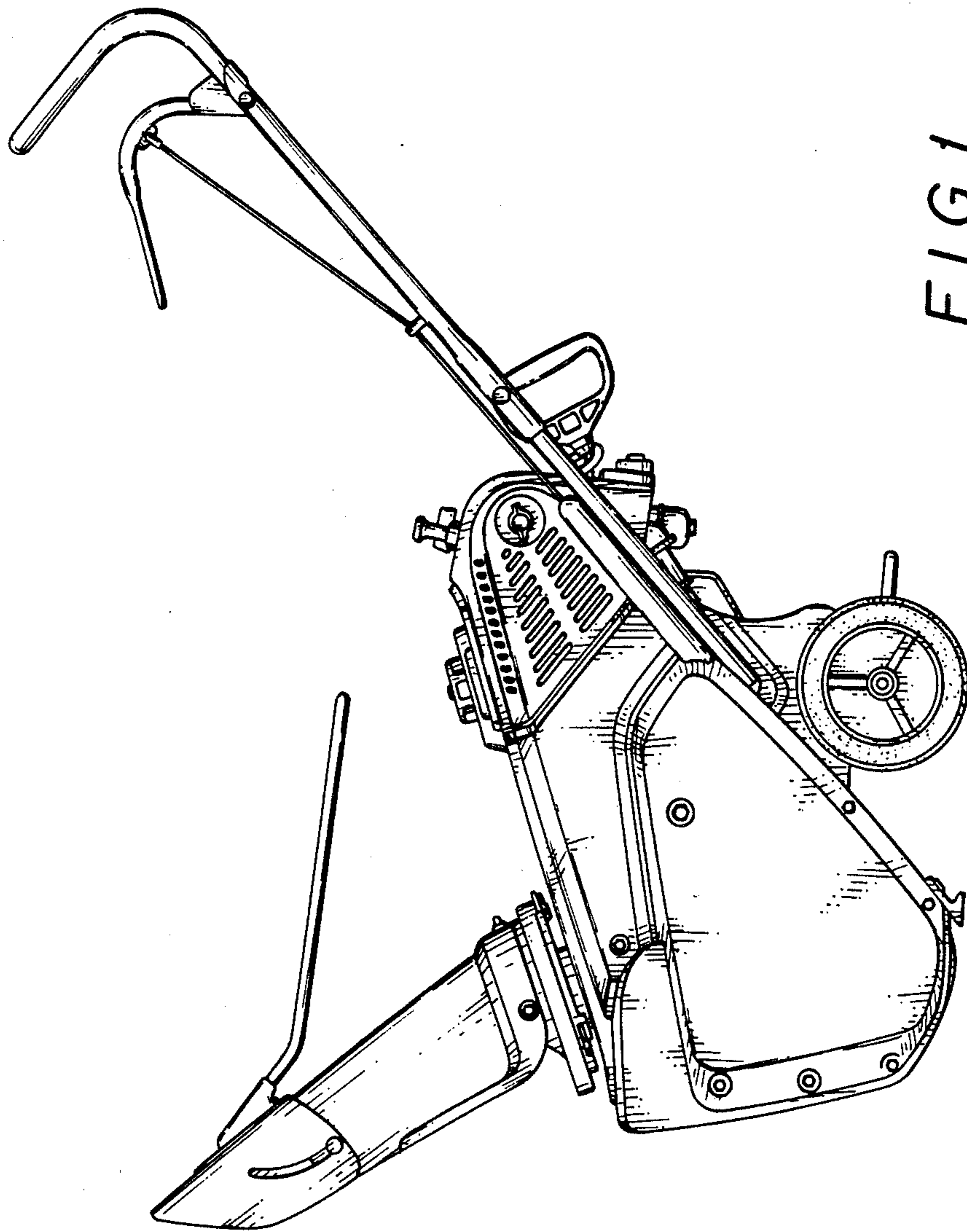


FIG. 1

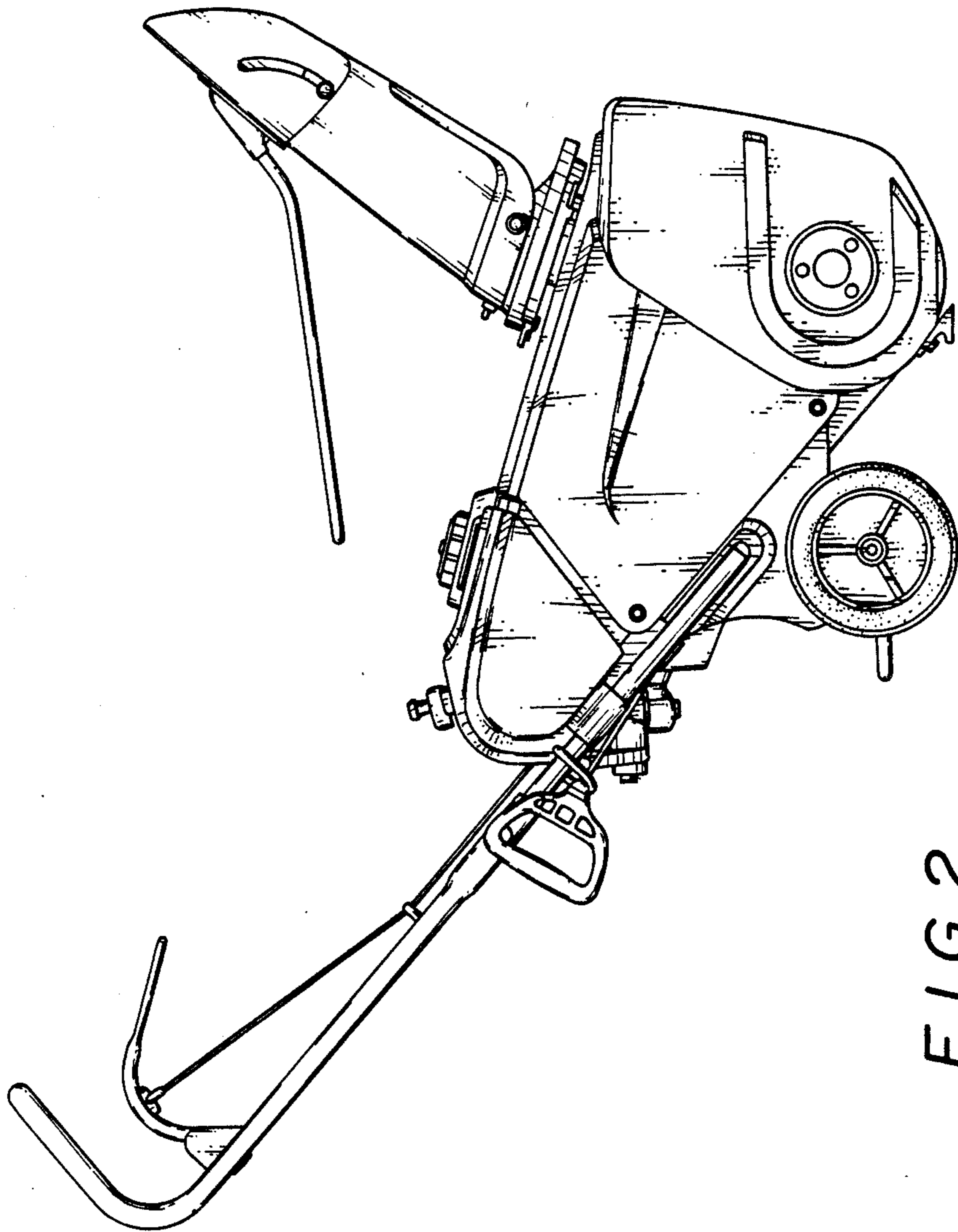


FIG. 2

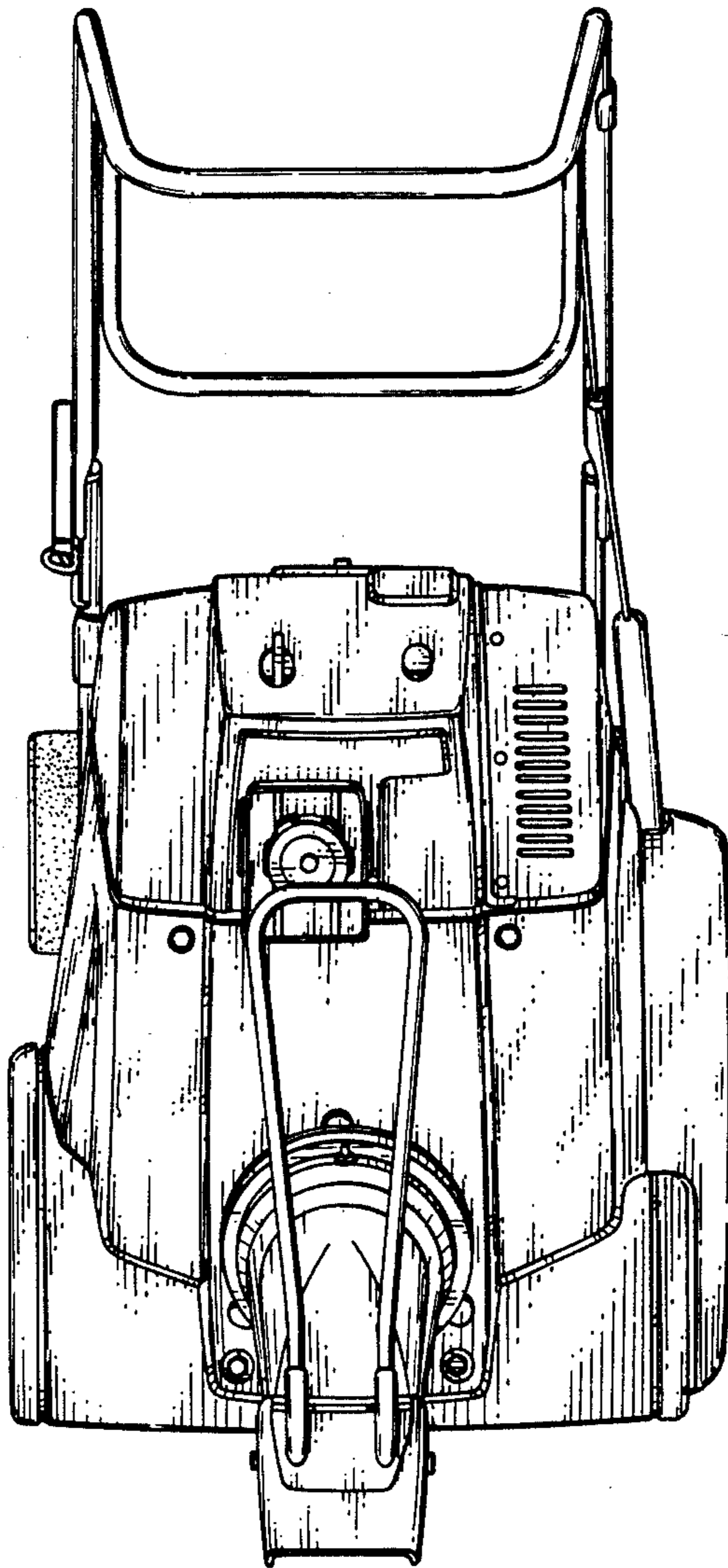


FIG. 3

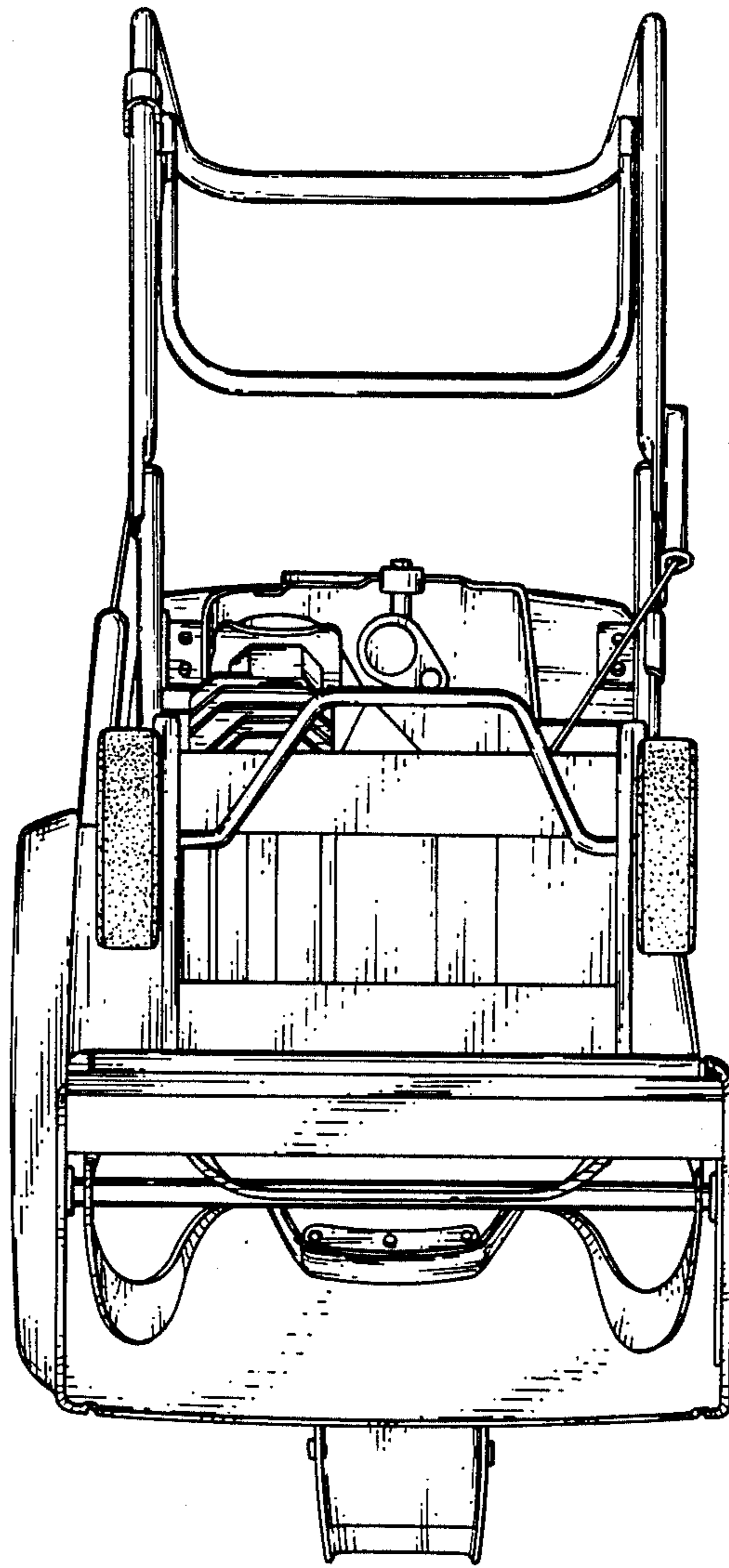


FIG. 4

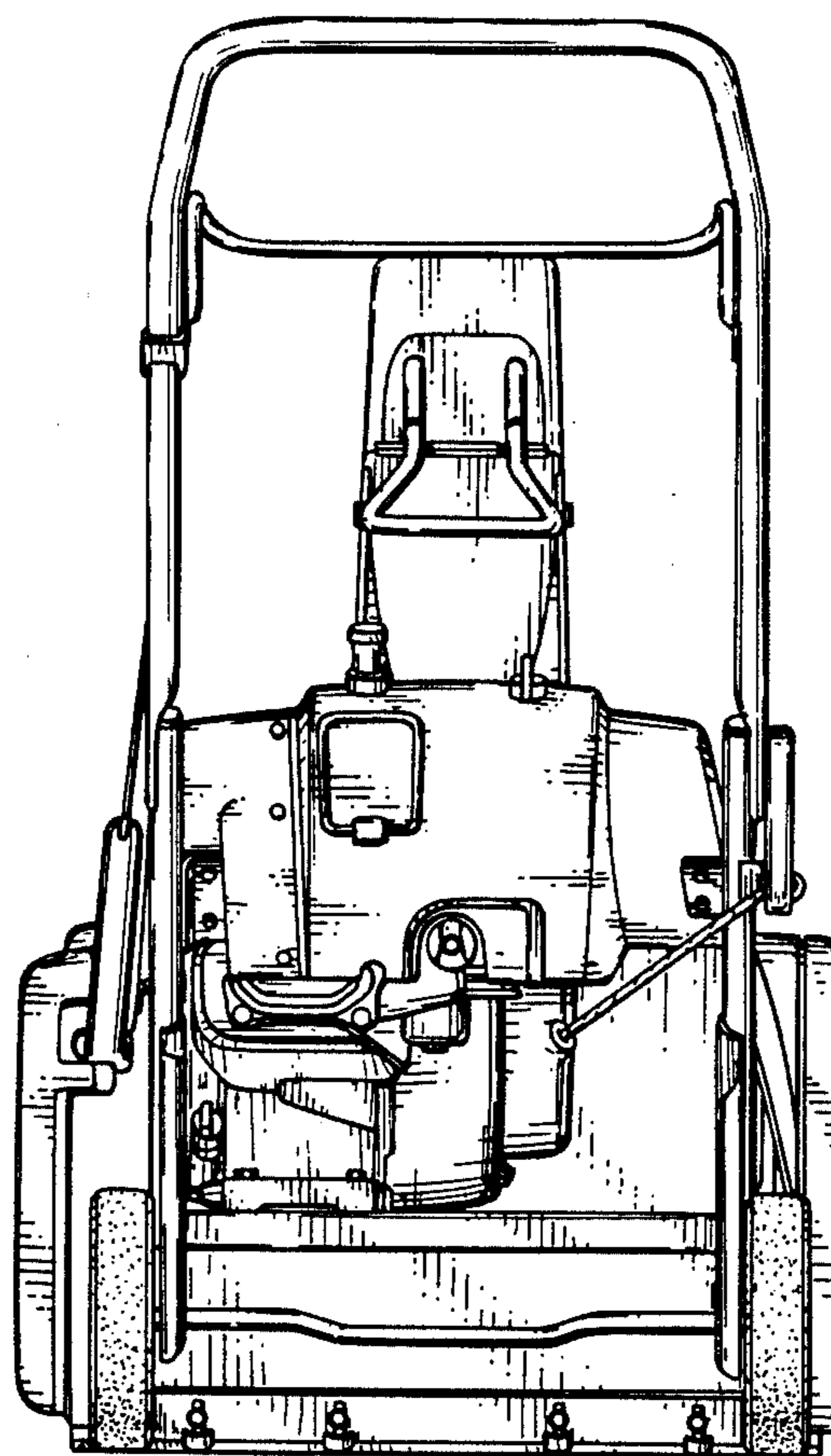


FIG. 5

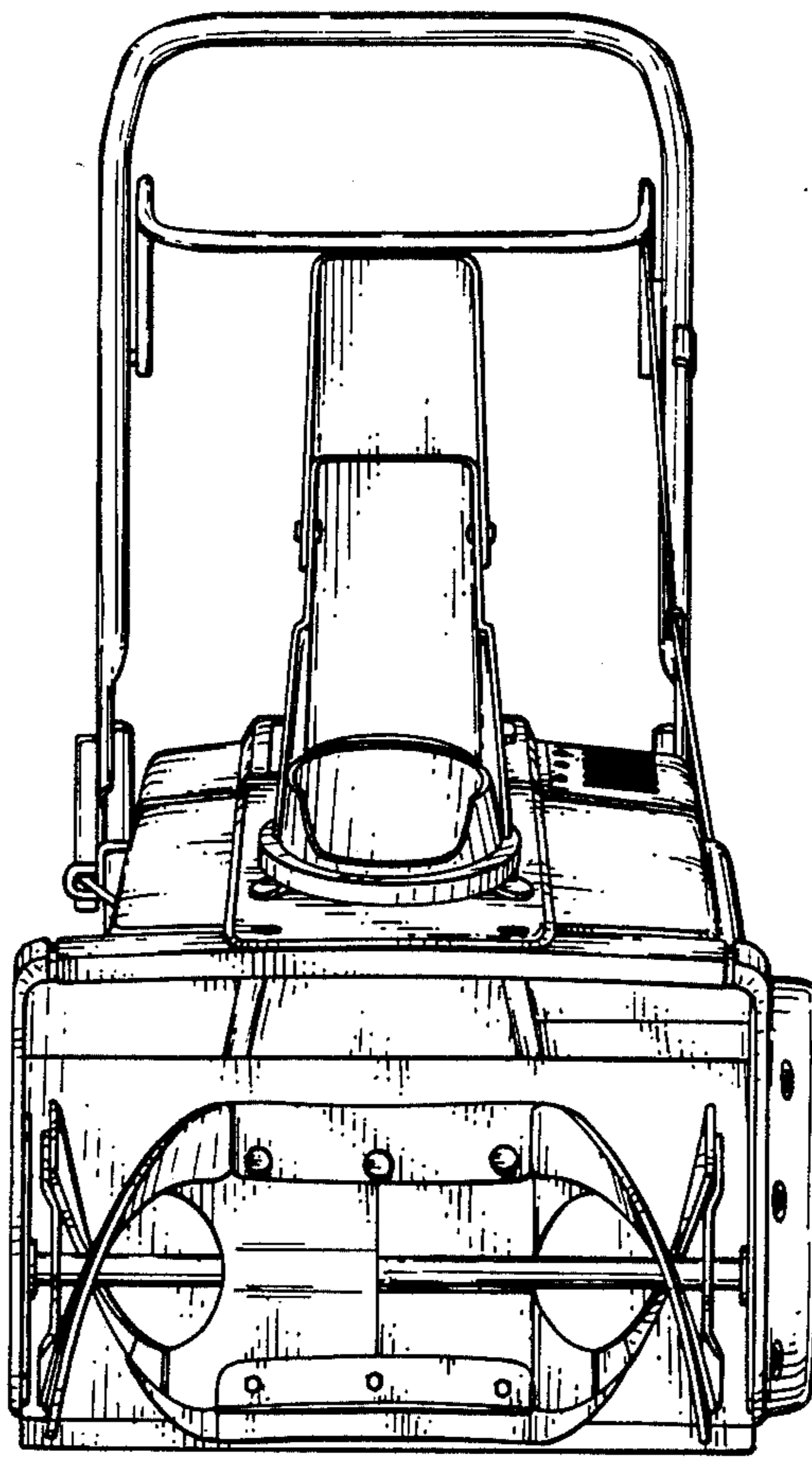


FIG. 6

FIG. 7

