

United States Patent [19]

Miyawaki et al.

[11] Patent Number: **Des. 307,911**

[45] Date of Patent: **** May 15, 1990**

[54] **WALKING OPERATOR TYPE LAWN MOWER**

[75] Inventors: **Manabu Miyawaki, Sakai; Takao Katayama, Sennan; Jinnosuke Takakura, Sakai; Hirofumi Sadagane, Kawachinagano; Hisato Katoh, Sakai, all of Japan**

[73] Assignee: **Kubota, Ltd., Osaka, Japan**

[**] Term: **14 Years**

[21] Appl. No.: **922,637**

[22] Filed: **Oct. 24, 1986**

[30] **Foreign Application Priority Data**

Jun. 20, 1986 [JP] Japan 61-23980
[52] U.S. Cl. **D15/14**
[58] Field of Search D15/10, 14, 16-18;
56/12.7, 16.7-16.9, 17.2, 17.4-17.6, 249, 256,
320.1-320.2

[56] **References Cited**

U.S. PATENT DOCUMENTS

D. 249,266 9/1978 Furuya D15/14
D. 274,250 6/1984 Allen et al. D15/14
D. 274,432 6/1984 Allen et al. D15/14
D. 276,047 10/1984 Sasaki D15/14
D. 284,766 7/1986 Chai D15/14
4,312,174 1/1982 Vanderhoef D15/14

Primary Examiner—A. Hugo Word
Assistant Examiner—Ruth McInroy
Attorney, Agent, or Firm—Jordan and Hamburg

[57] **CLAIM**

The ornamental design for a lawn mower, as shown and described.

DESCRIPTION

FIG. 1 is a right side elevational view of a lawn mower showing our new design;
FIG. 2 is a left side elevational view thereof;
FIG. 3 is a top plan view thereof;
FIG. 4 is a bottom plan view thereof;
FIG. 5 is a front elevational view thereof;
FIG. 6 is a rear elevational view thereof; and
FIG. 7 is a top, front and side perspective view thereof.

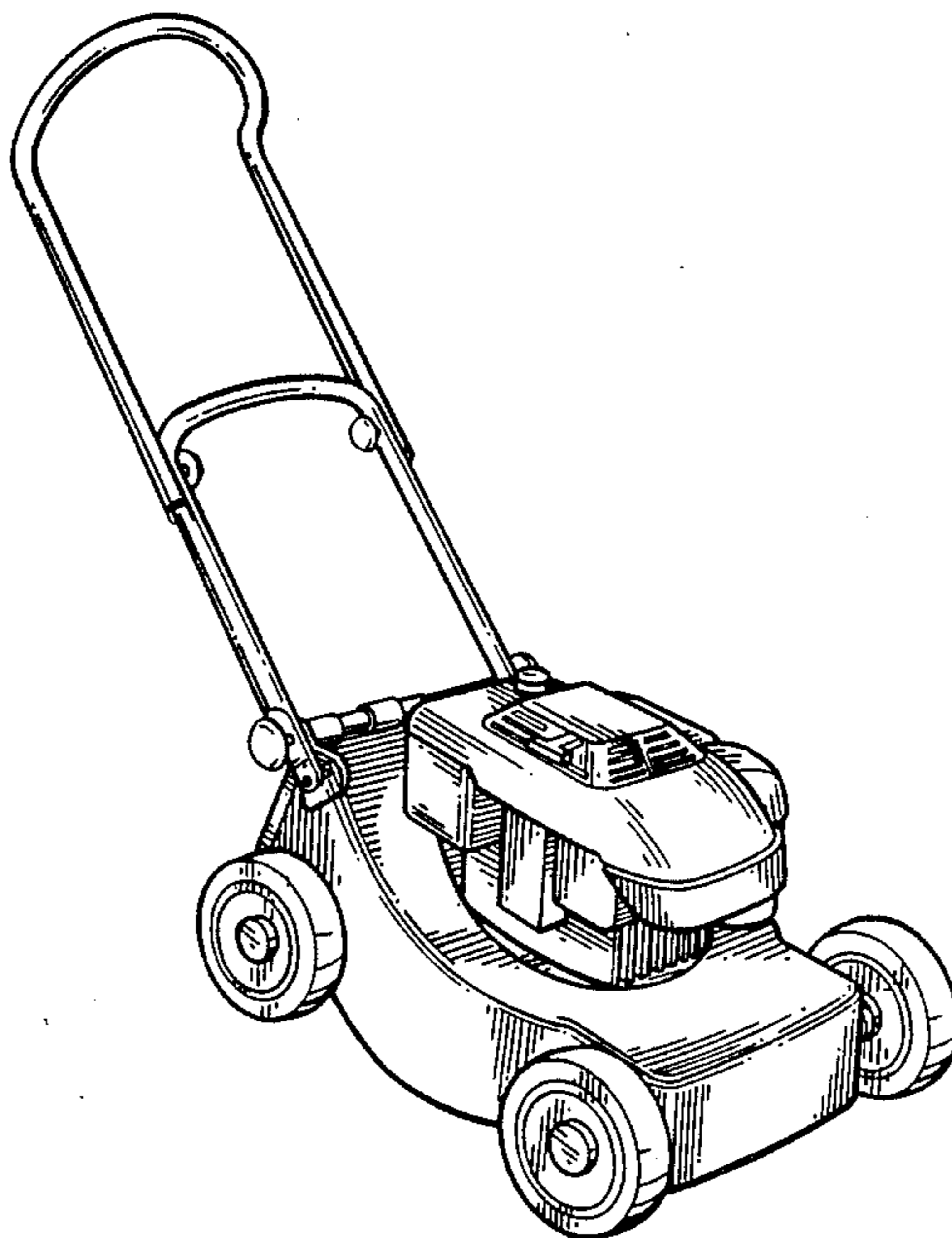
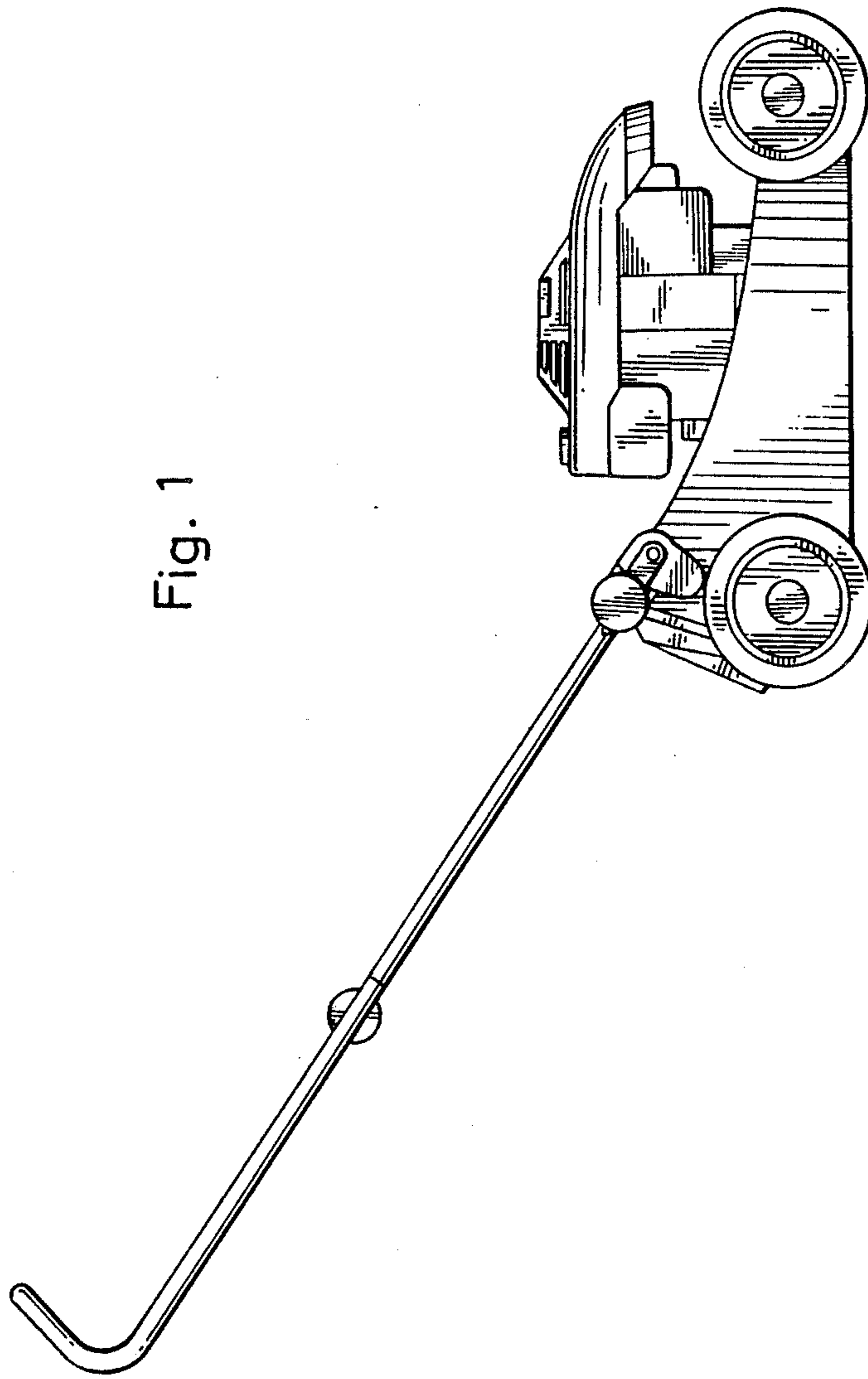


Fig. 1



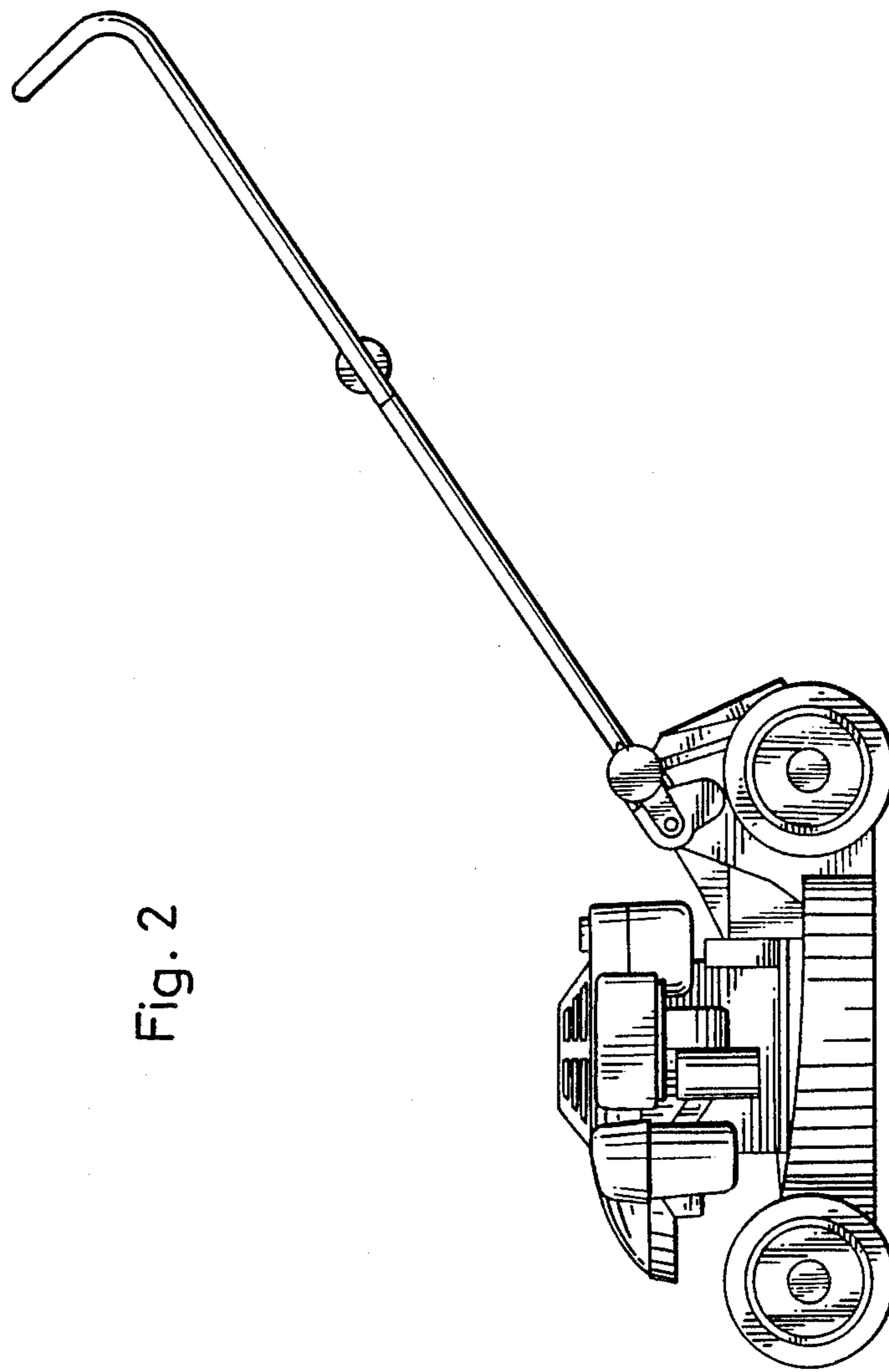


Fig. 2

Fig. 3

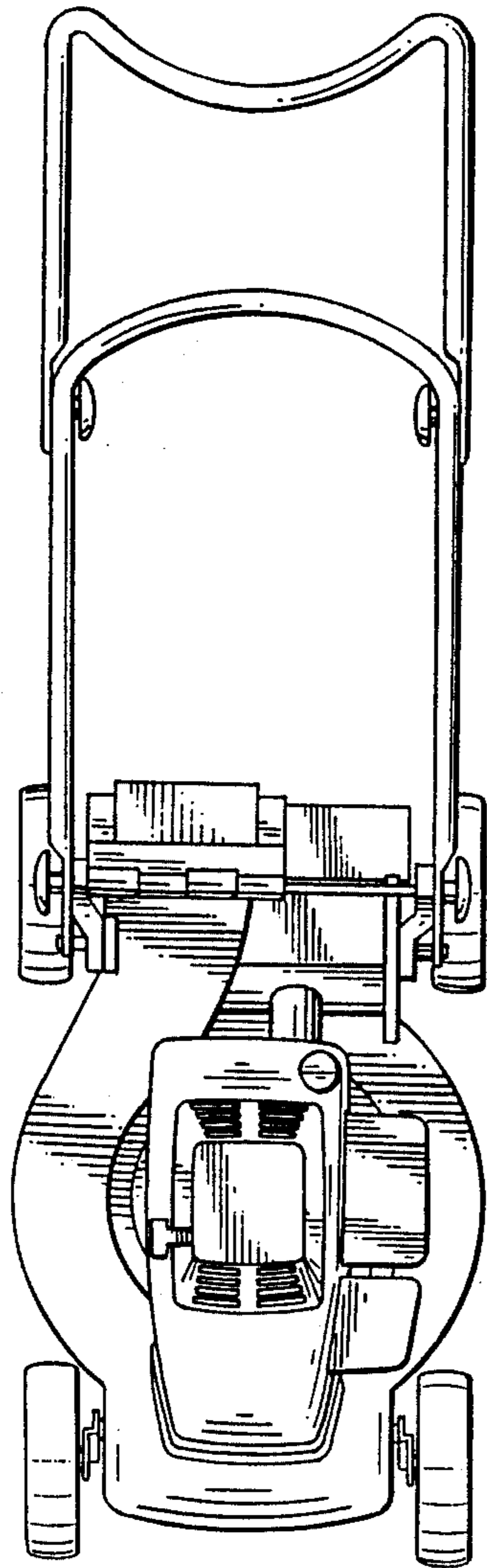


Fig. 4

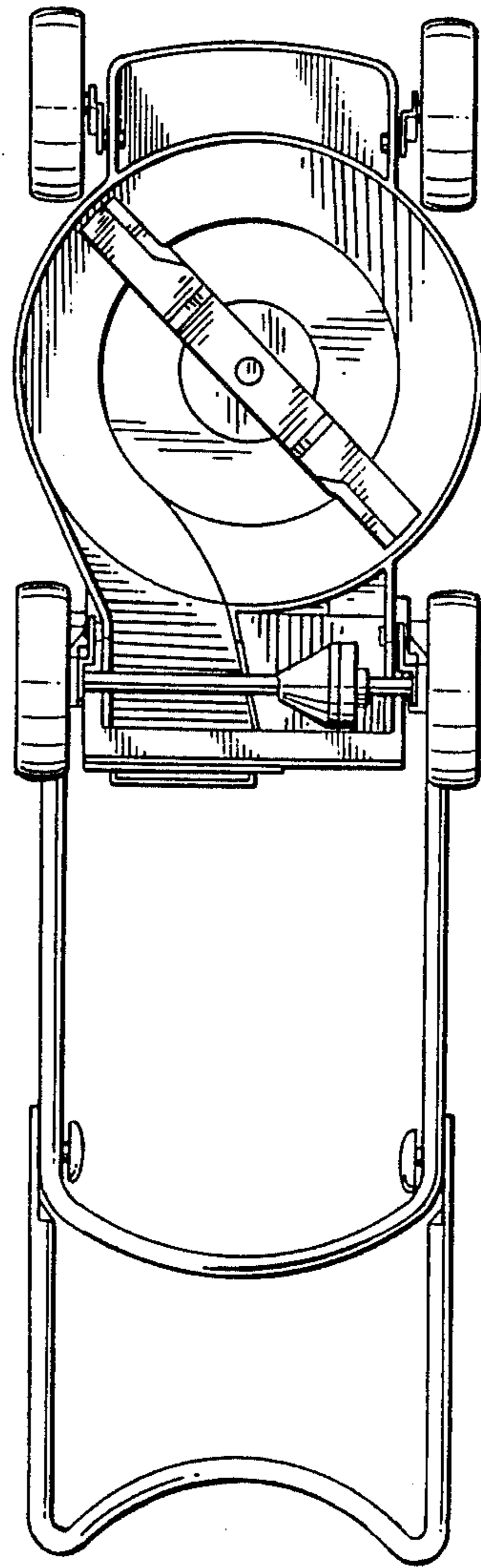


Fig. 5

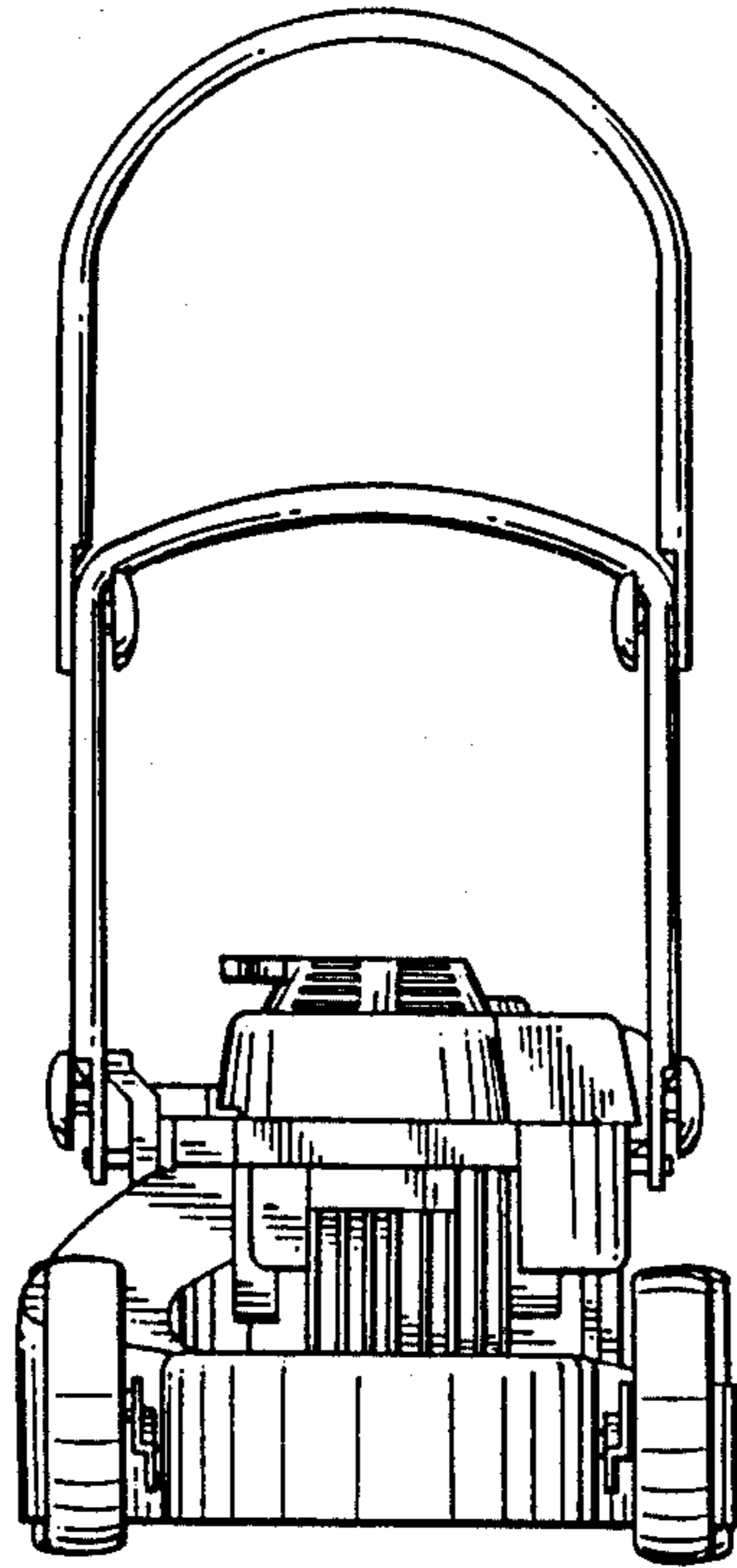
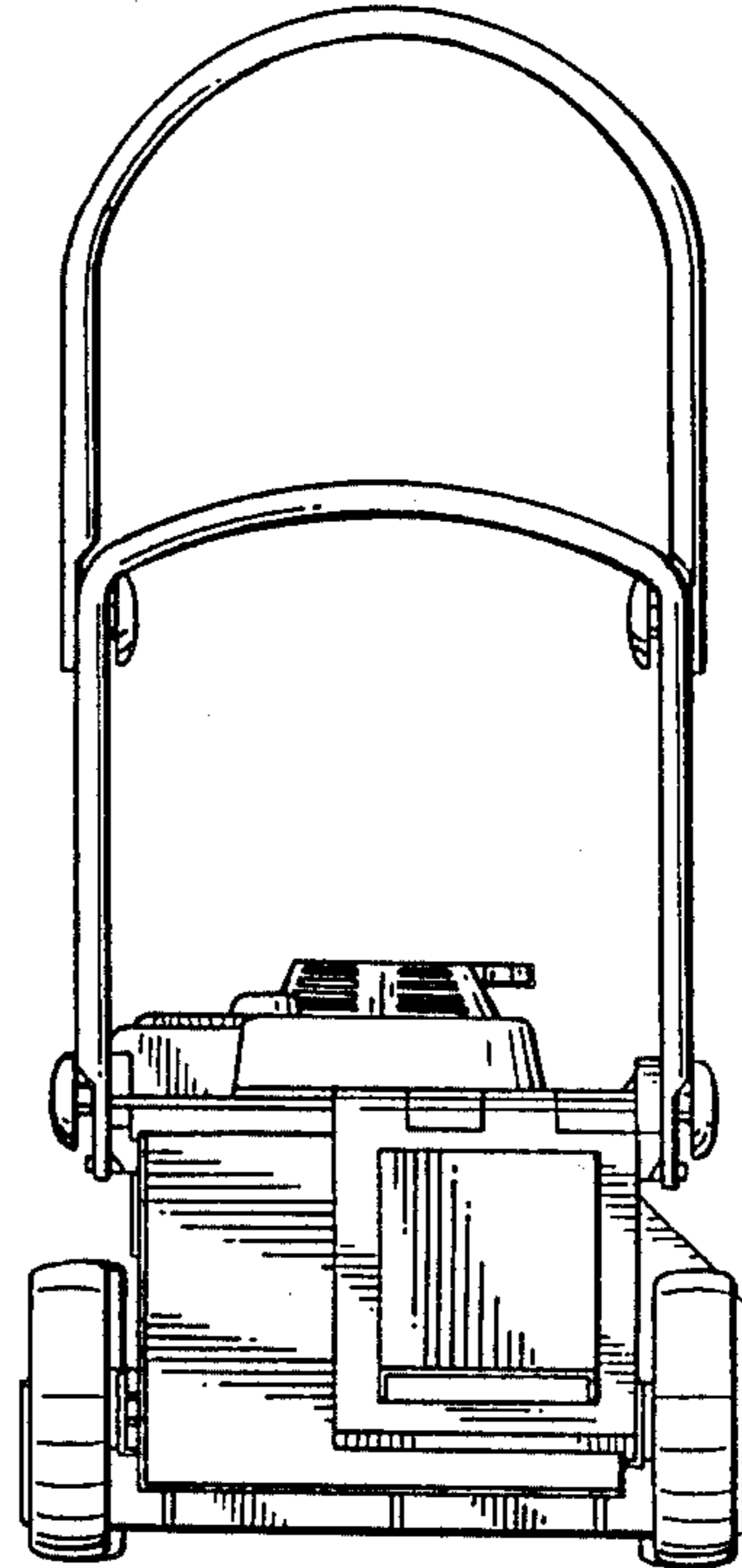


Fig. 6



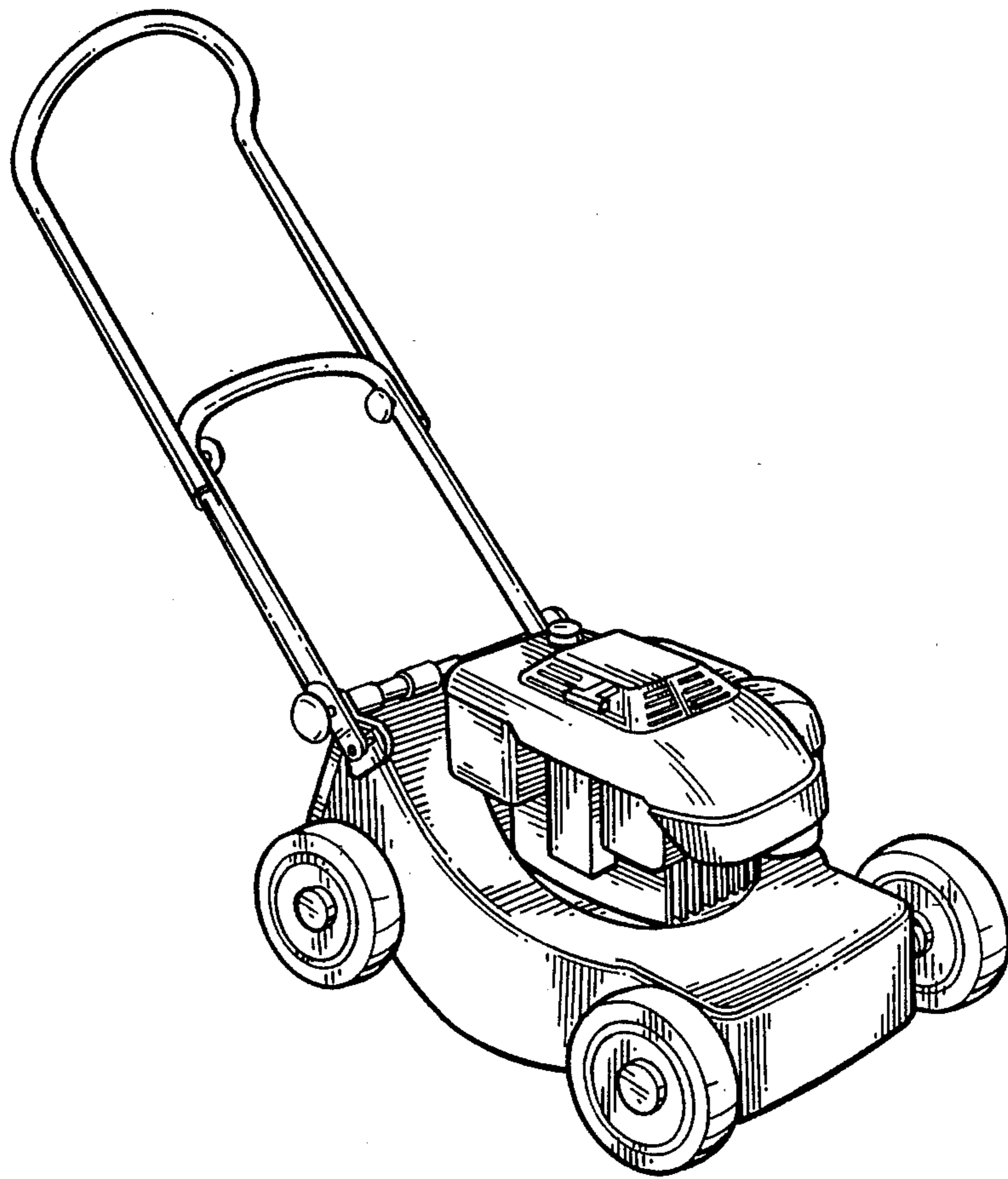


Fig. 7