

[54] **HOUSING FOR TELEPHONIC EQUIPMENT**

[75] **Inventor: Floyd J. Pushelberg, Ottawa, Canada**

[73] **Assignee: Northern Telecom Limited, Montreal, Canada**

[**] **Term: 14 Years**

[21] **Appl. No.: 165,679**

[22] **Filed: Mar. 8, 1988**

[52] **U.S. Cl. D14/240; D13/184**

[58] **Field of Search D14/140, 102, 240, 241; 379/330, 329, 399; D13/40, 12, 35, 41, 99; 362/395, 399, 391**

[56] **References Cited**

U.S. PATENT DOCUMENTS

- D. 229,756 1/1974 Stewart et al. D14/240
- D. 265,991 5/1982 Trussler D14/140
- D. 282,541 2/1986 Yasuda D14/241

- D. 285,680 9/1986 Cederberg D14/241
- D. 287,360 12/1986 Lehman D13/40
- D. 297,007 8/1988 Pushelberg D13/41
- D. 300,420 3/1989 Lotz D13/40

Primary Examiner—Horace B. Fay, Jr.
Attorney, Agent, or Firm—Robert C. Hogeboom

[57] **CLAIM**

The ornamental design for a housing for telephonic equipment, shown and described.

DESCRIPTION

FIG. 1 is a top, front, and side perspective view of a housing for telephonic equipment, showing my new design;

FIG. 2 is a top plan view thereof;

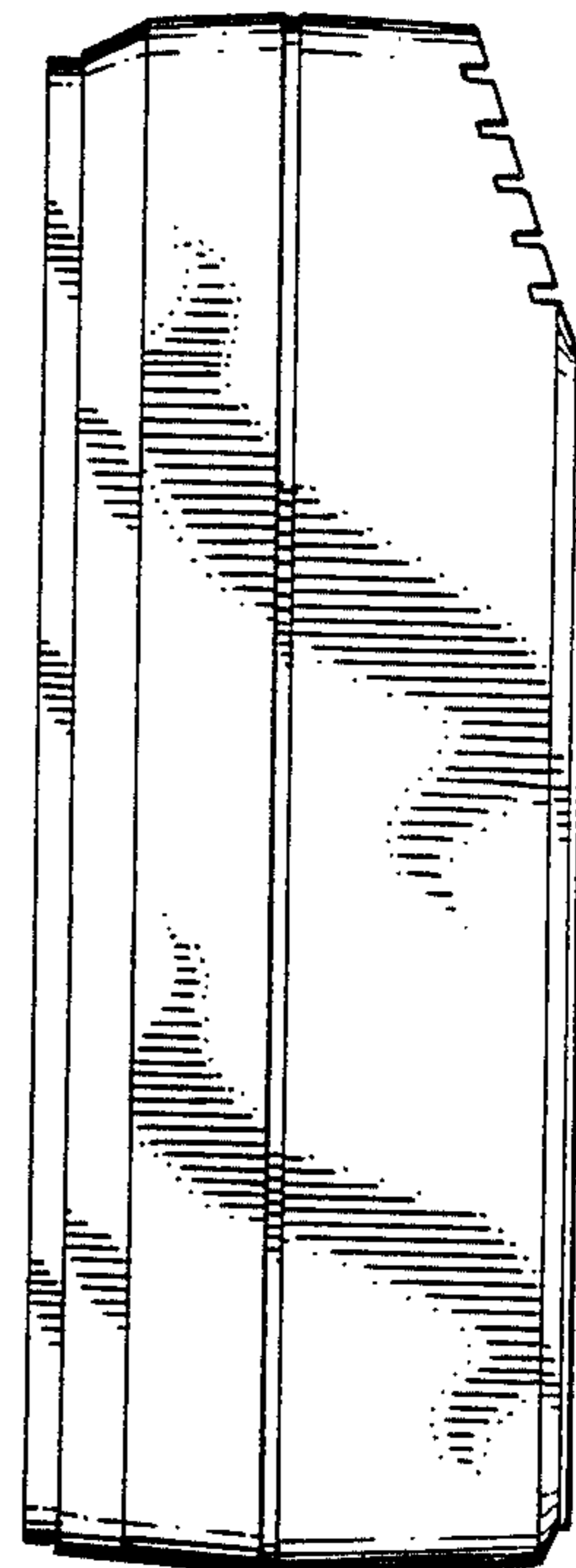
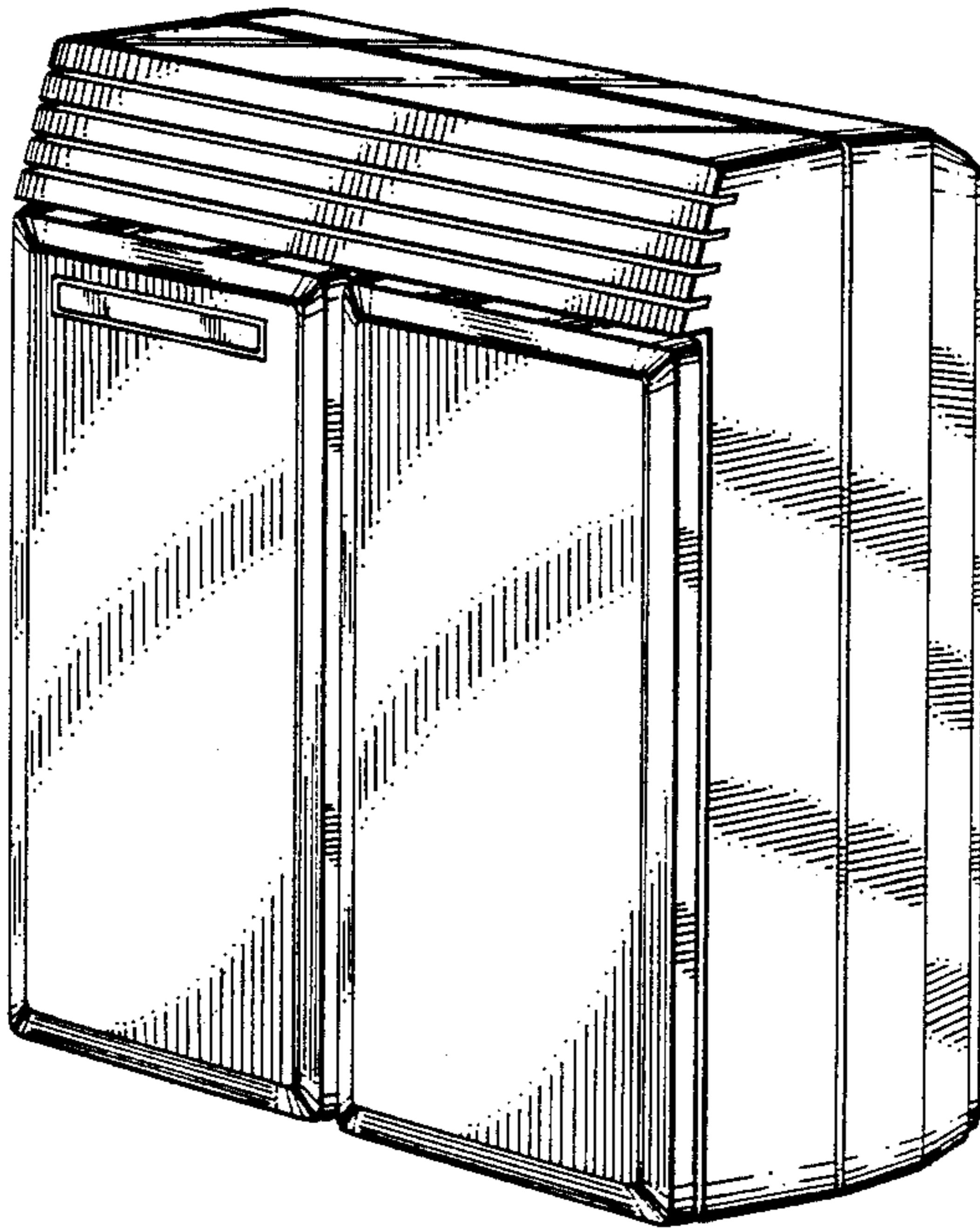
FIG. 3 is a front elevational view thereof;

FIG. 4 is a bottom plan view thereof;

FIG. 5 is a right side elevational view thereof;

FIG. 6 is a rear elevational view thereof;

FIG. 7 is a left side elevational view thereof.



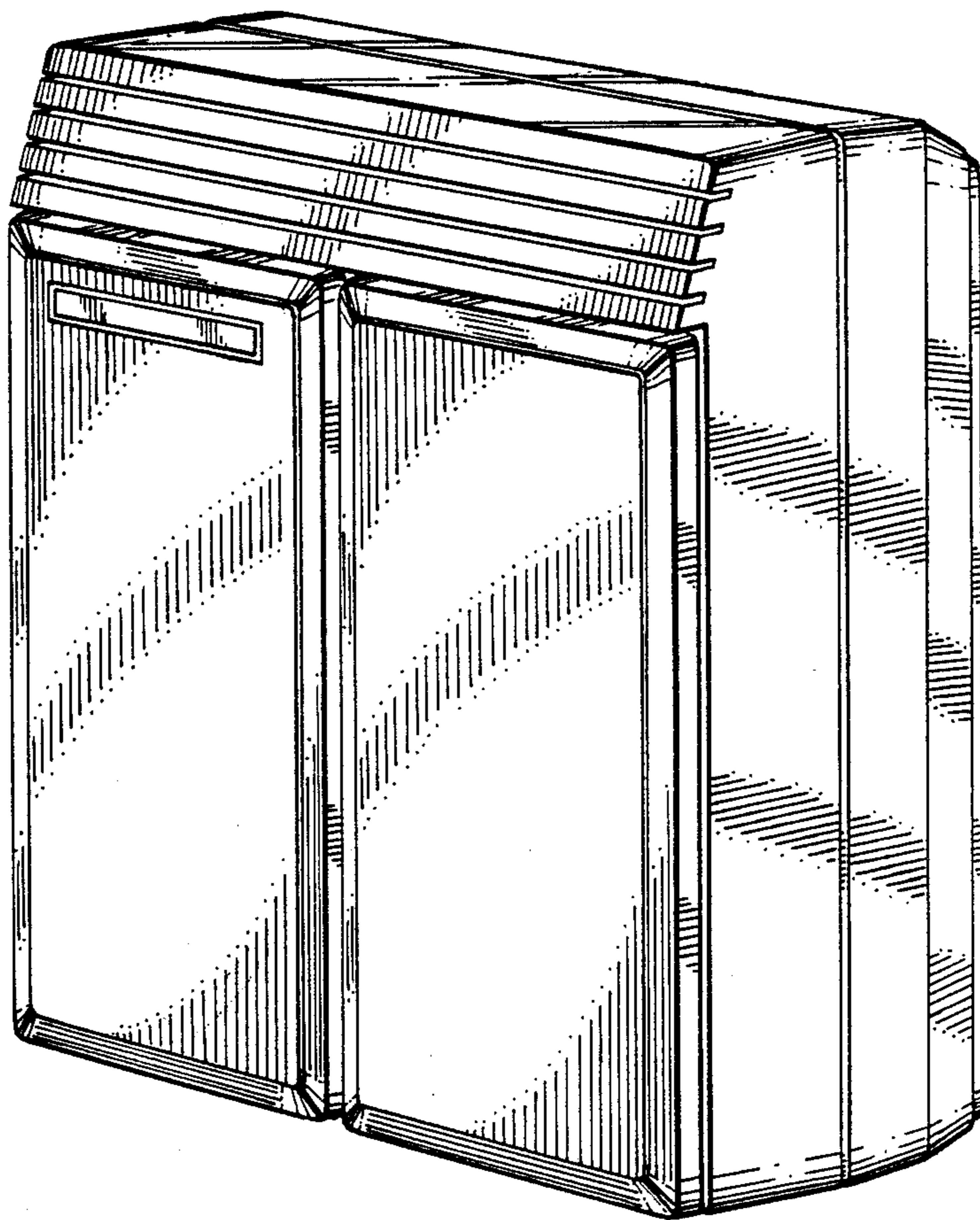


FIG. 1

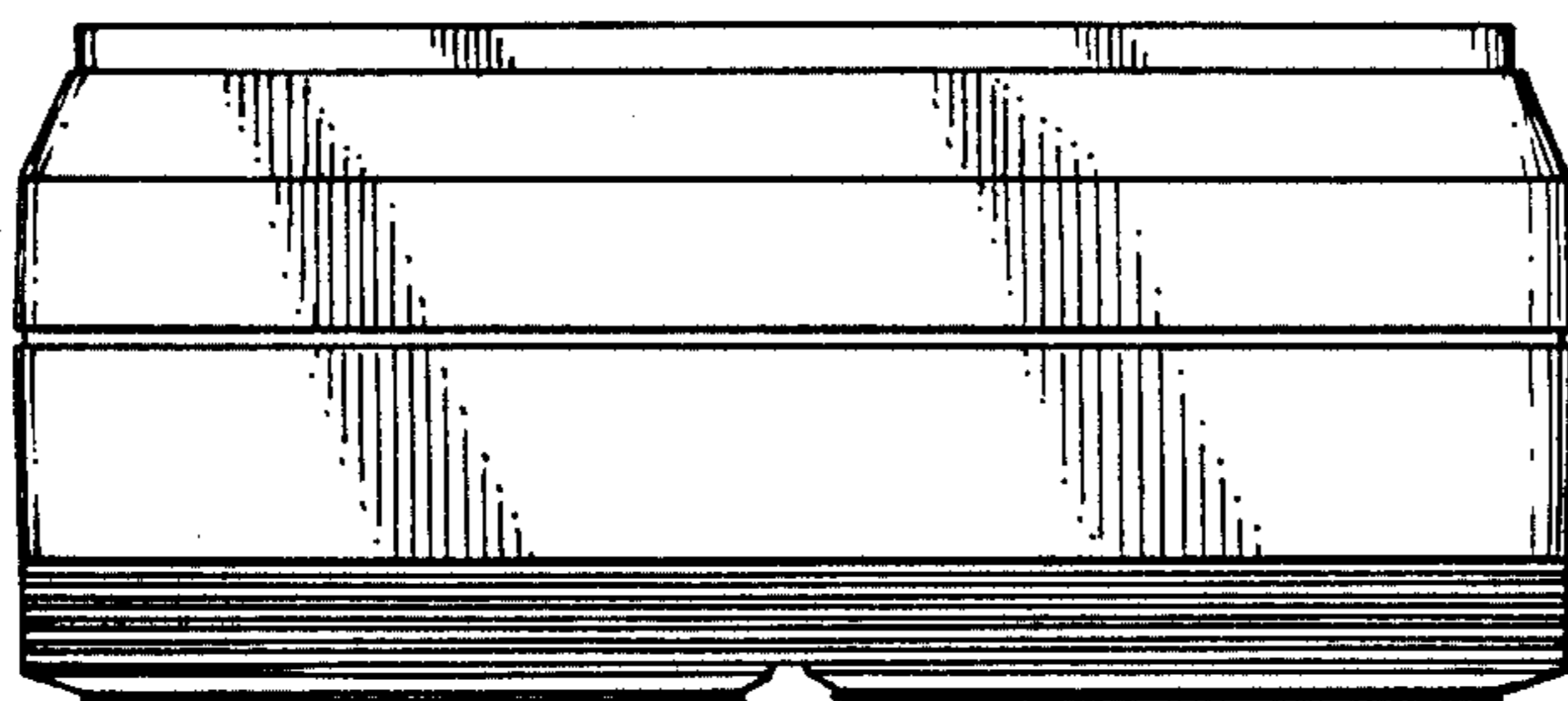


FIG. 2

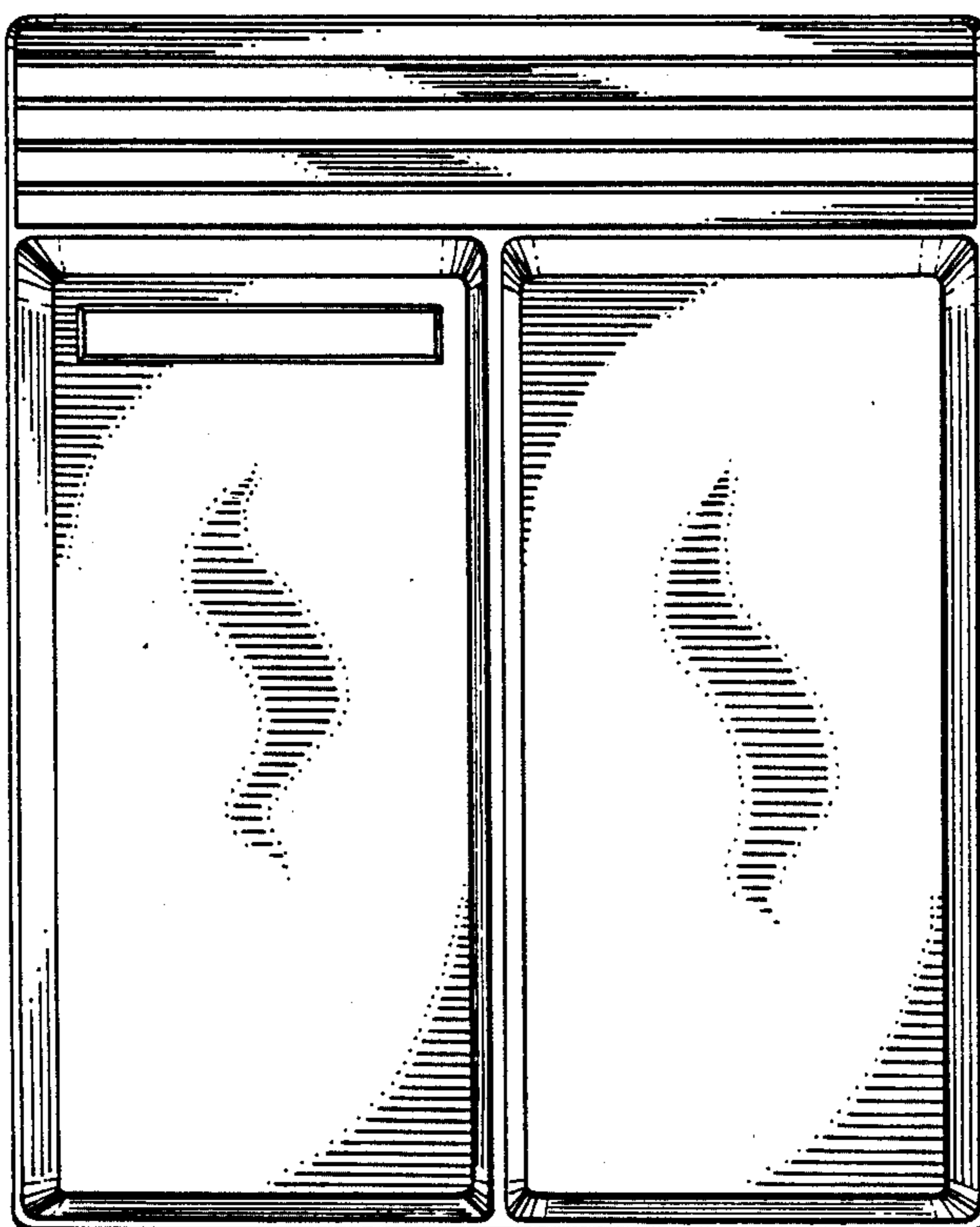


FIG. 3

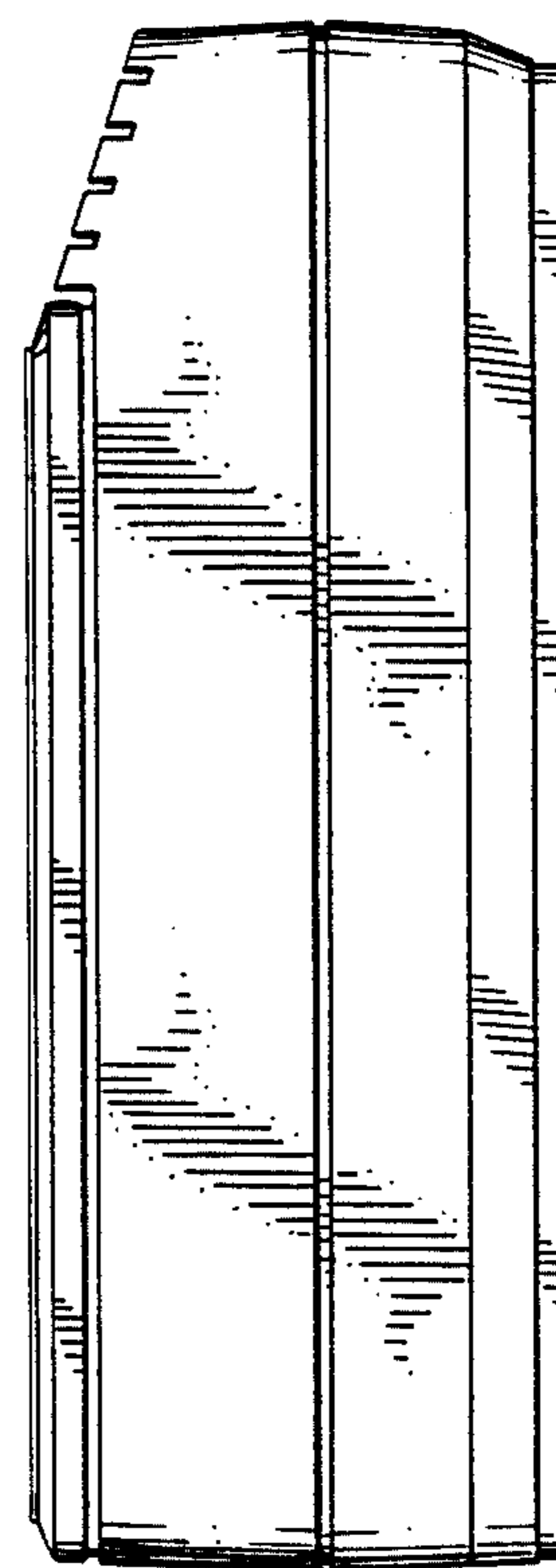


FIG. 5

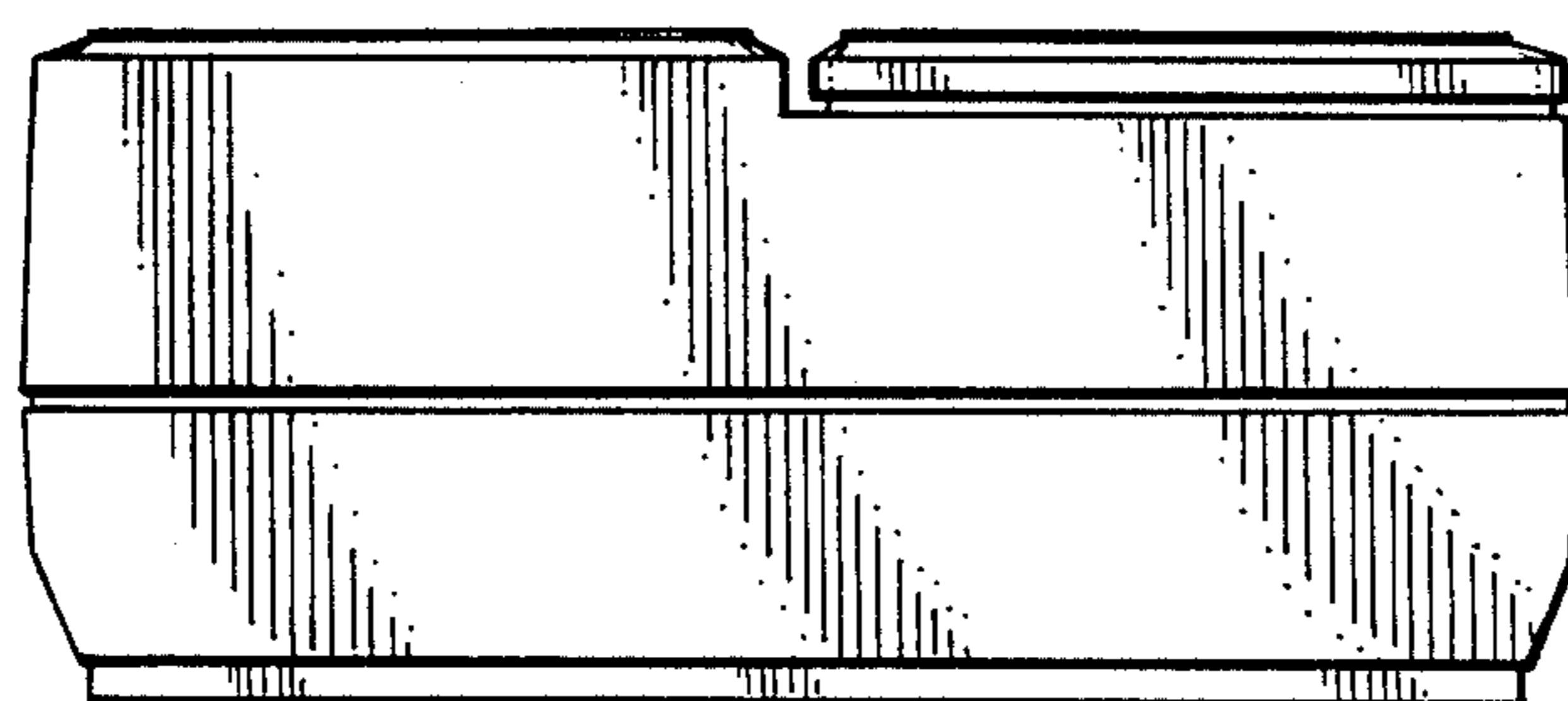


FIG. 4

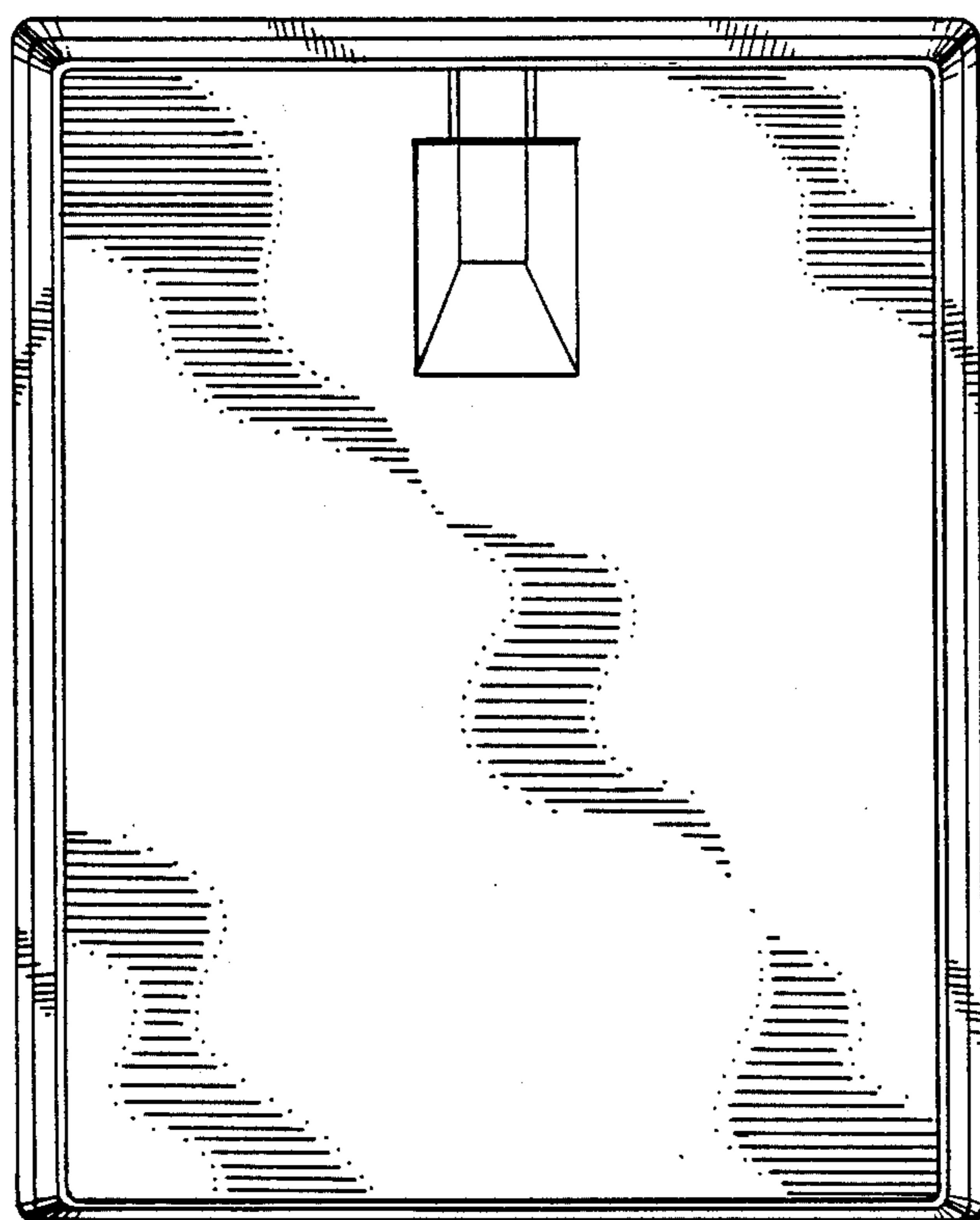


FIG. 6

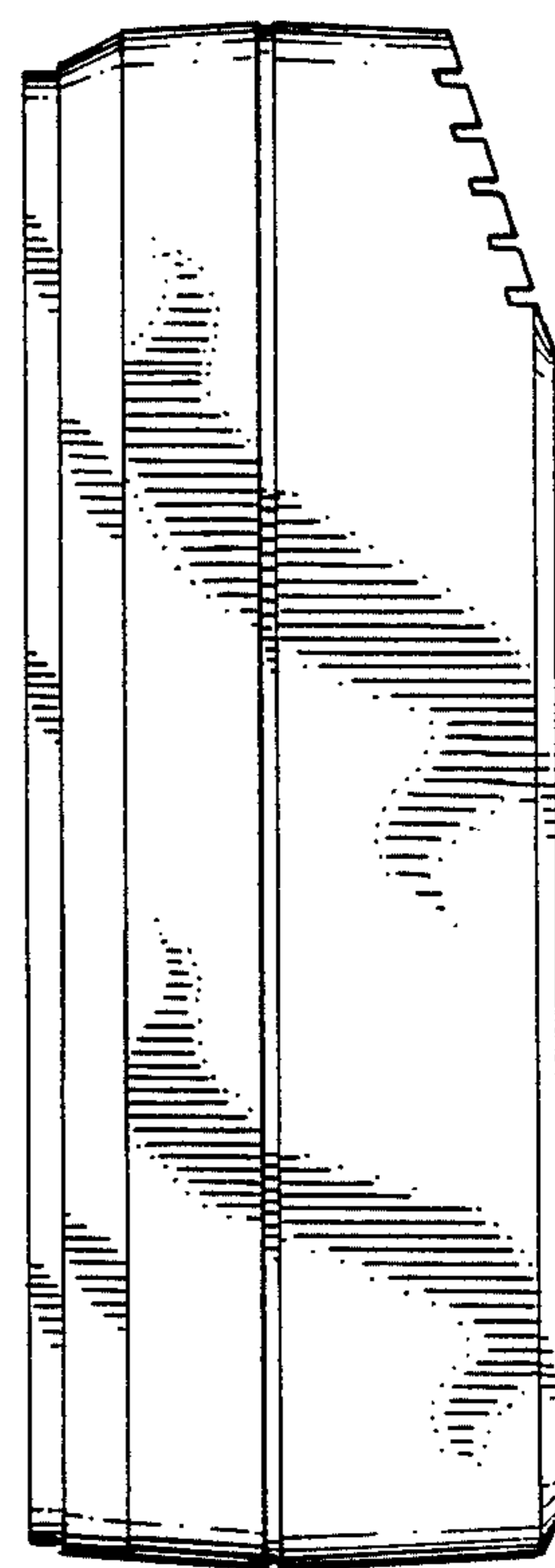


FIG. 7