

[54] **TELEPHONE SET**

[75] **Inventor: Andrew P. Davey, London, United Kingdom**

[73] **Assignee: Browns Holdings Limited, London, United Kingdom**

[\*\*] **Term: 14 Years**

[21] **Appl. No.: 270,108**

[22] **Filed: Nov. 10, 1988**

[30] **Foreign Application Priority Data**

May 10, 1987 [GB] United Kingdom ..... 1050607

[52] **U.S. Cl.** ..... **D14/149; 379/434; D14/248; D14/142; D14/151**

[58] **Field of Search** ..... **D14/151, 150, 149, 248; D21/111; 379/440, 436, 434, 428, 419, 420, 433**

[56] **References Cited**

**U.S. PATENT DOCUMENTS**

- D. 270,157 8/1983 Boldt et al. .... D14/248
- D. 283,708 5/1986 Tamura ..... D14/151
- D. 284,660 7/1986 Montague et al. .... D14/151

- D. 286,531 11/1986 Lee ..... D14/151
- D. 292,696 3/1988 Tragatschnig ..... D14/151
- D. 293,572 1/1988 Büchin ..... D14/149
- D. 299,644 1/1989 Ohta et al. .... D14/149
- D. 299,645 1/1989 Ohta et al. .... D14/149
- D. 300,628 4/1989 Wu ..... D14/151
- D. 301,500 6/1989 Taprup ..... D21/111
- 4,598,175 7/1986 Road ..... D14/149 X

*Primary Examiner*—Horace B. Fay, Jr.  
*Attorney, Agent, or Firm*—Darby & Darby

[57] **CLAIM**

The ornamental design for a telephone set, as shown and described.

**DESCRIPTION**

FIG. 1 is a left side, top and front perspective view of a telephone set showing my new design; FIGS. 2 and 3 are respectively front and rear elevational view thereof; FIGS. 4 and 5 are respectively left and right side elevational views thereof; and FIGS. 6 and 7 are respectively top and bottom plan views thereof.

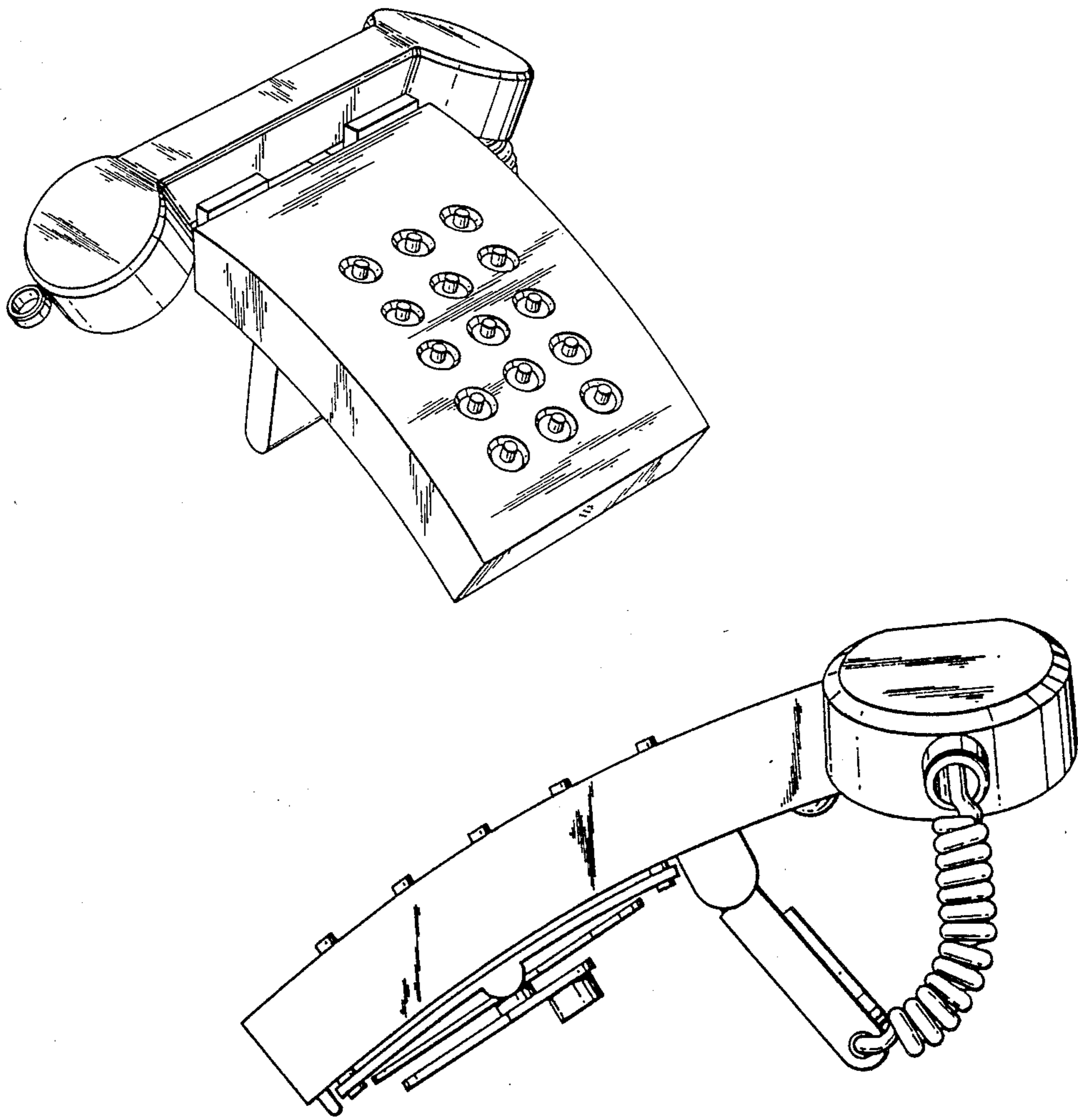


FIG. 1

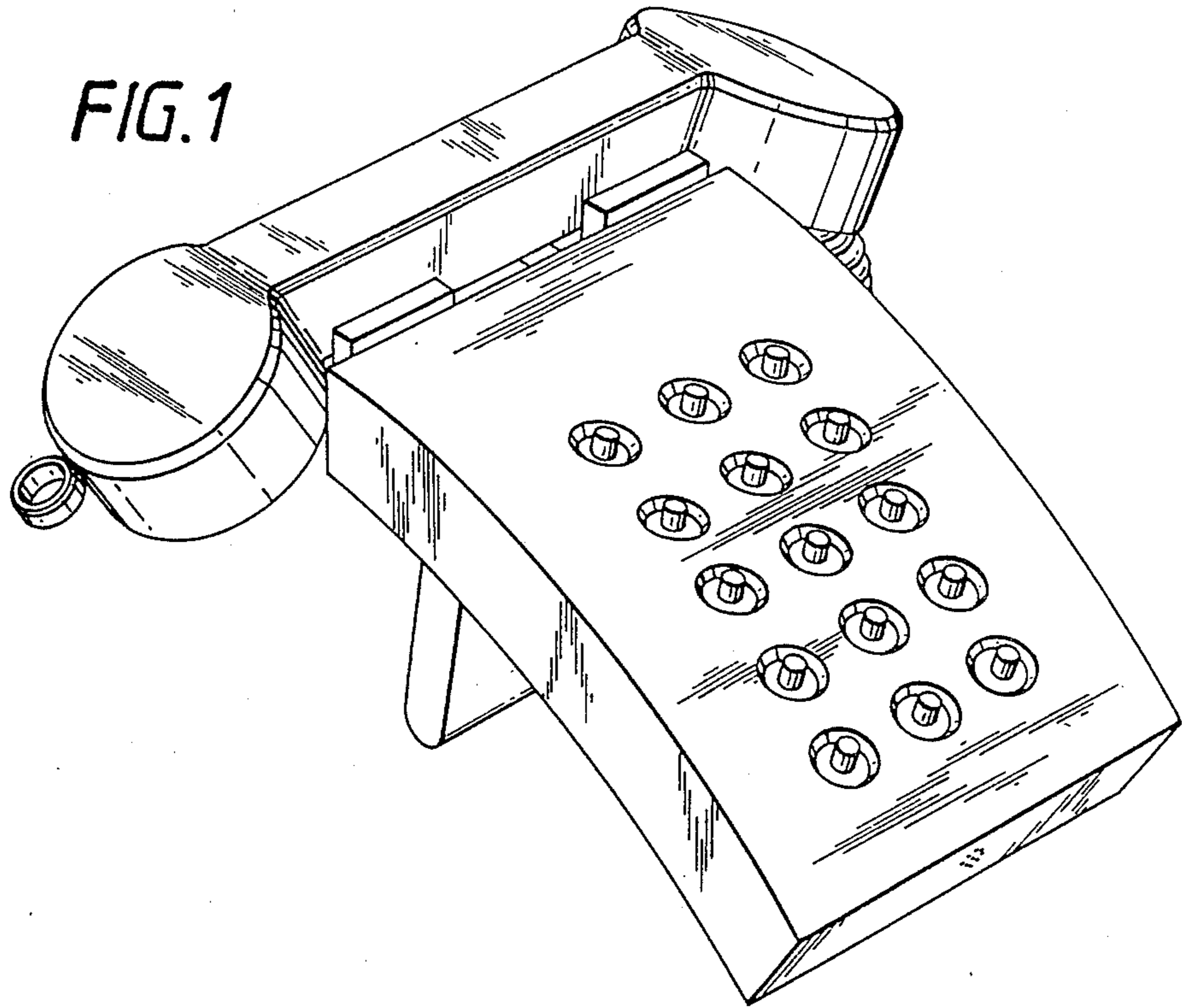


FIG. 2

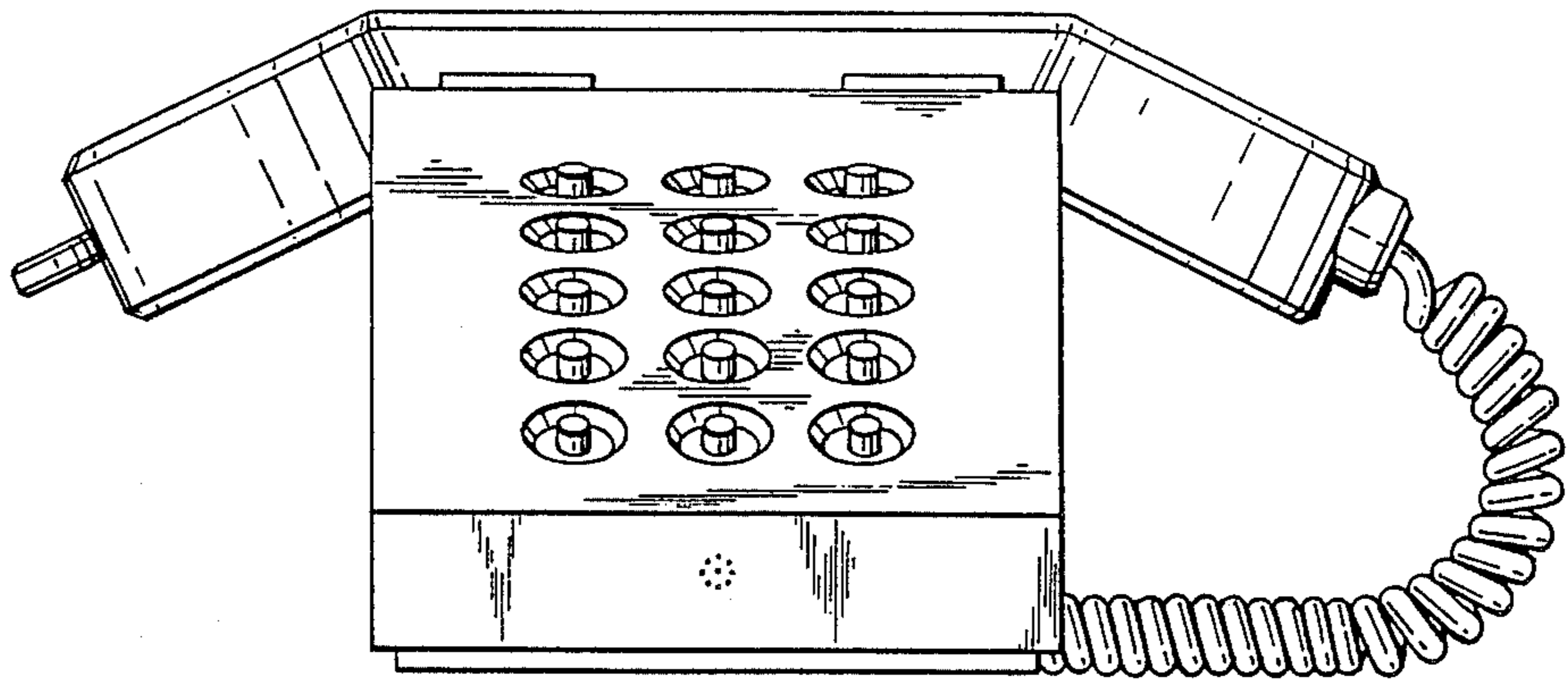


FIG. 3

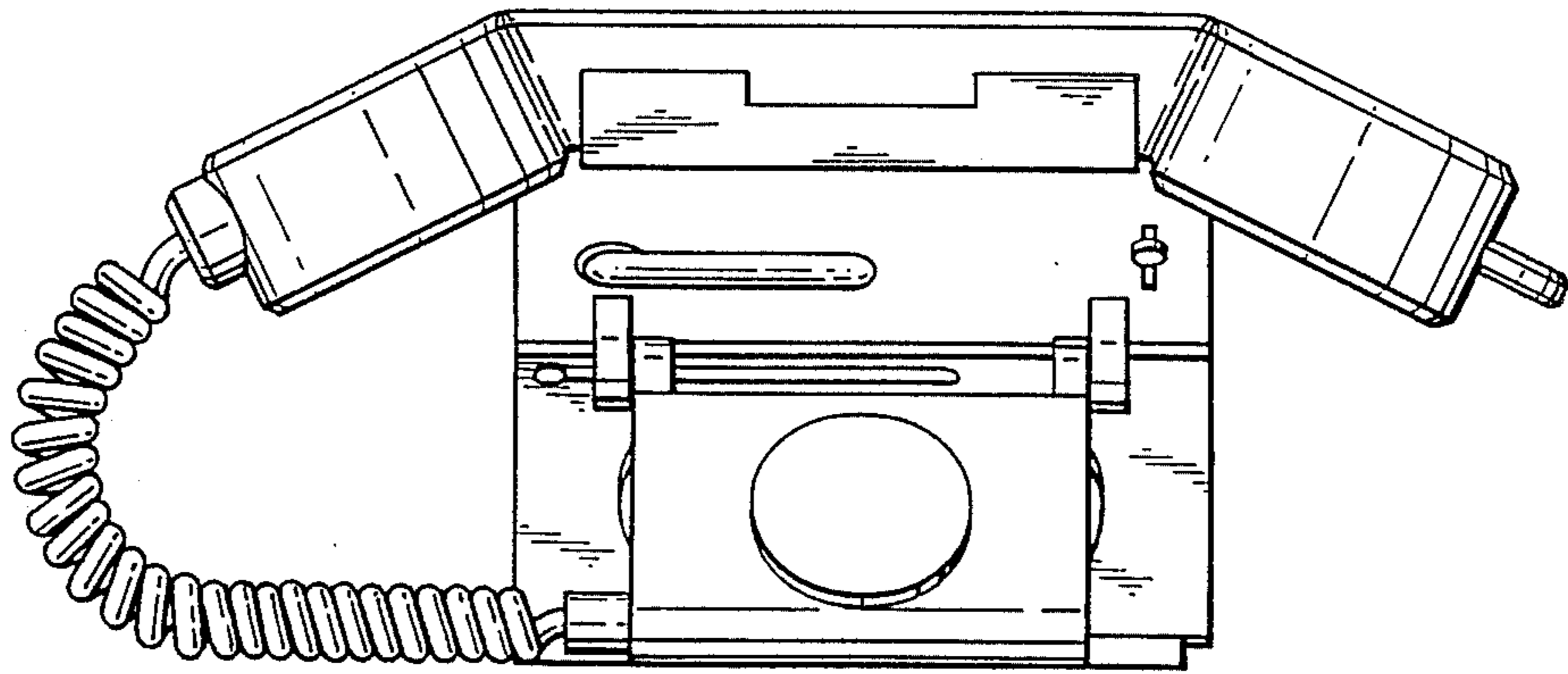


FIG. 4

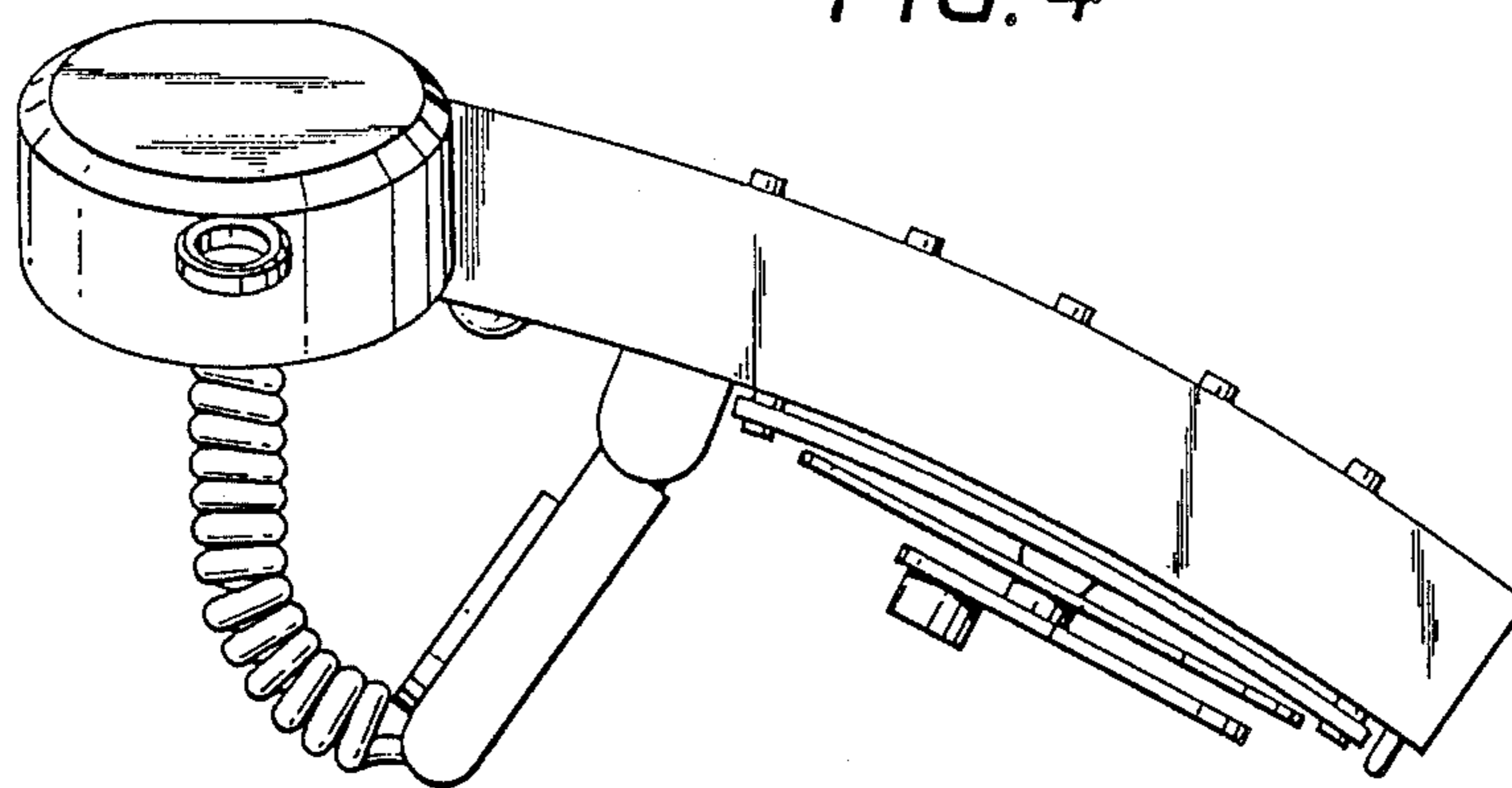


FIG. 5

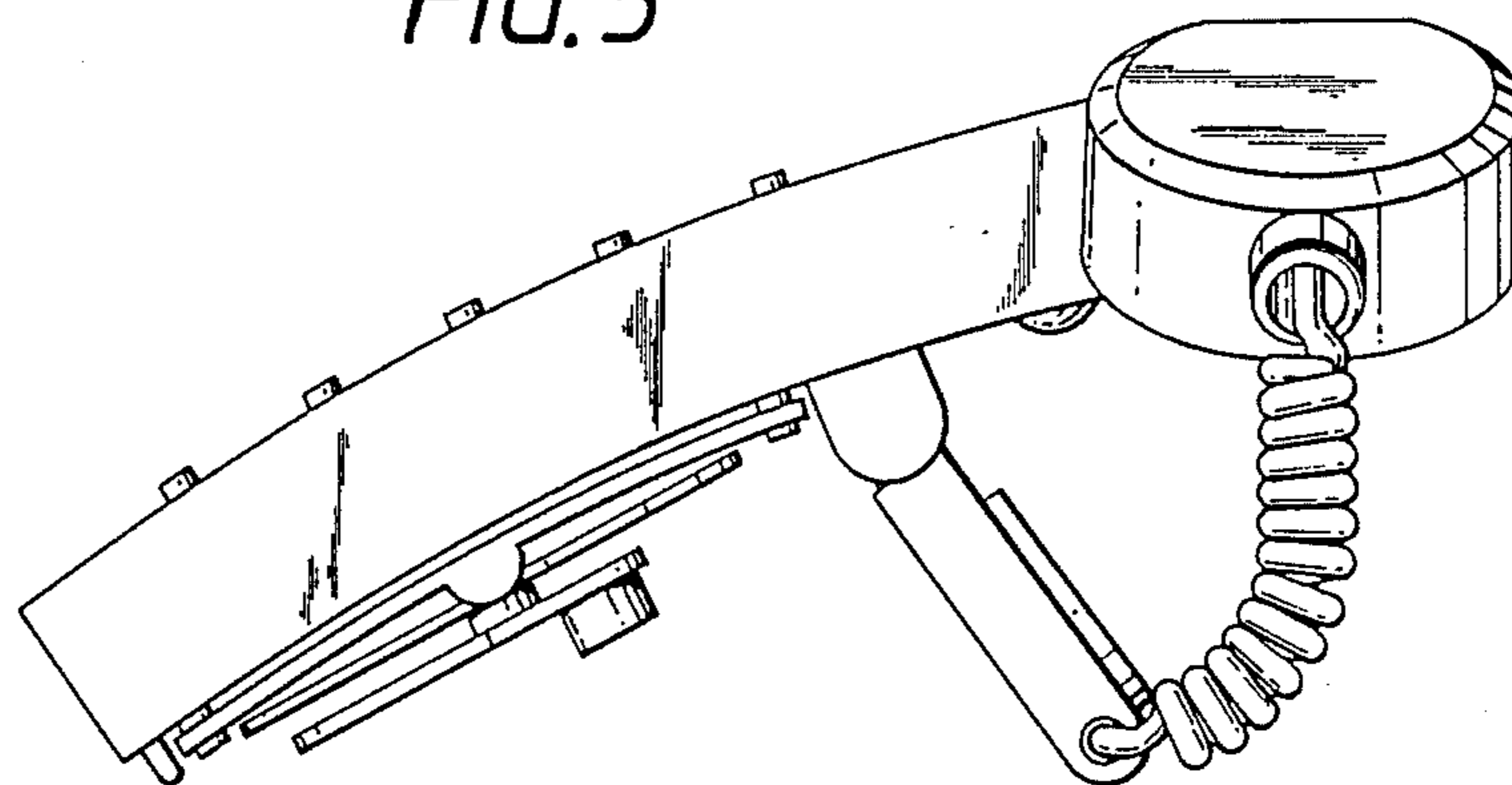


FIG. 6

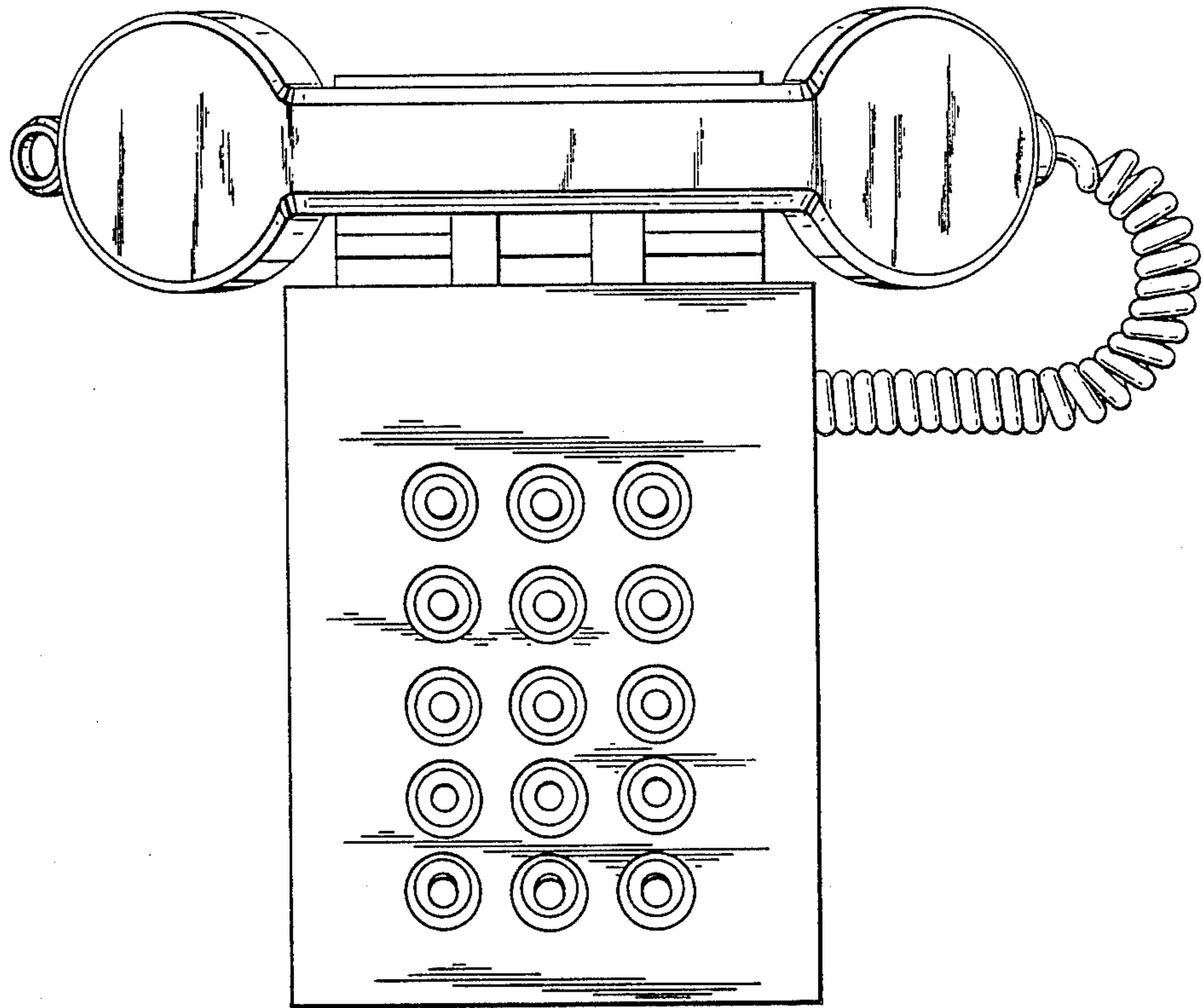


FIG. 7

