

[54] **HAND-HELD LASER SCANNER**

[75] **Inventor: Bish Siemiatkowski, Los Gatos, Calif.**

[73] **Assignee: Symbol Technologies, Inc., Bohemia, N.Y.**

[**] **Term: 14 Years**

[21] **Appl. No.: 284,450**

[22] **Filed: Dec. 14, 1988**

[52] **U.S. Cl. D14/116**

[58] **Field of Search D14/100, 105, 107, 114, D14/116; 235/454, 462, 470, 471, 473, 475, 479; 250/203 R, 566, 568, 569, 239; 358/408, 473, 474, 497; 354/80, 81, 82; 355/231, 233; 382/58, 59, 62, 63, 65**

[56] **References Cited**

U.S. PATENT DOCUMENTS

D. 217,398 4/1970 Barbour D18/14
D. 248,946 8/1978 Koenig D14/116

D. 249,144 8/1978 Flanigan et al. D14/116
D. 281,977 12/1985 Sklaroff D14/116
4,251,798 2/1981 Swartz et al. 235/462 X
4,575,625 3/1986 Knowles 235/470 X

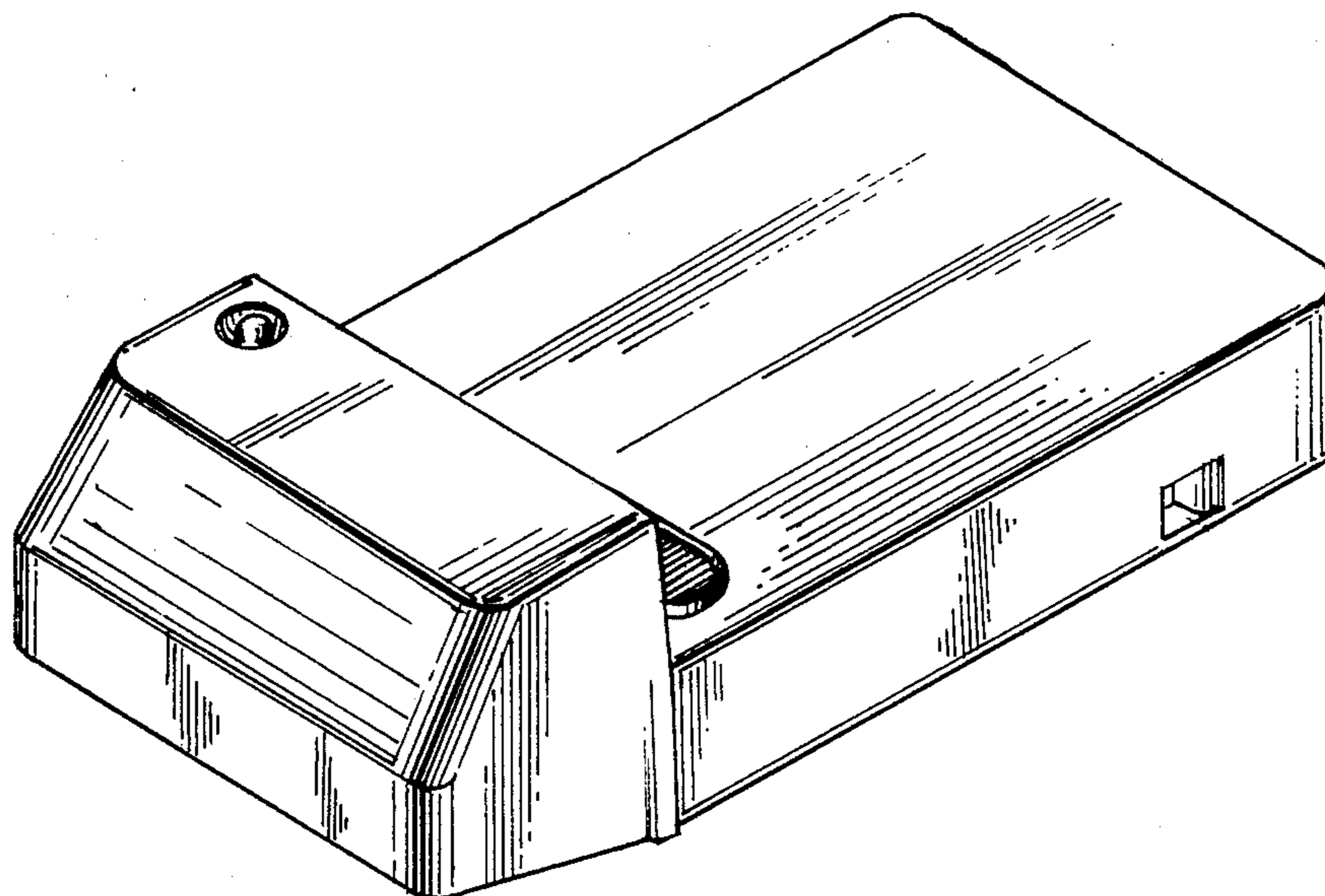
Primary Examiner—Susan J. Lucas
Assistant Examiner—Freda S. Nunn

[57] **CLAIM**

The ornamental design for a hand-held laser scanner, as shown and described.

DESCRIPTION

FIG. 1 is a top, front, left side perspective view of a hand-held laser scanner showing our new design; FIG. 2 is an enlarged top plan view thereof; FIG. 3 is an enlarged left side elevational view thereof; FIG. 4 is an enlarged front elevational view thereof; FIG. 5 is an enlarged rear elevational view thereof; FIG. 6 is an enlarged bottom plan view thereof. The right side view of the hand-held laser scanner is identical to the left side elevational view shown in FIG. 3.



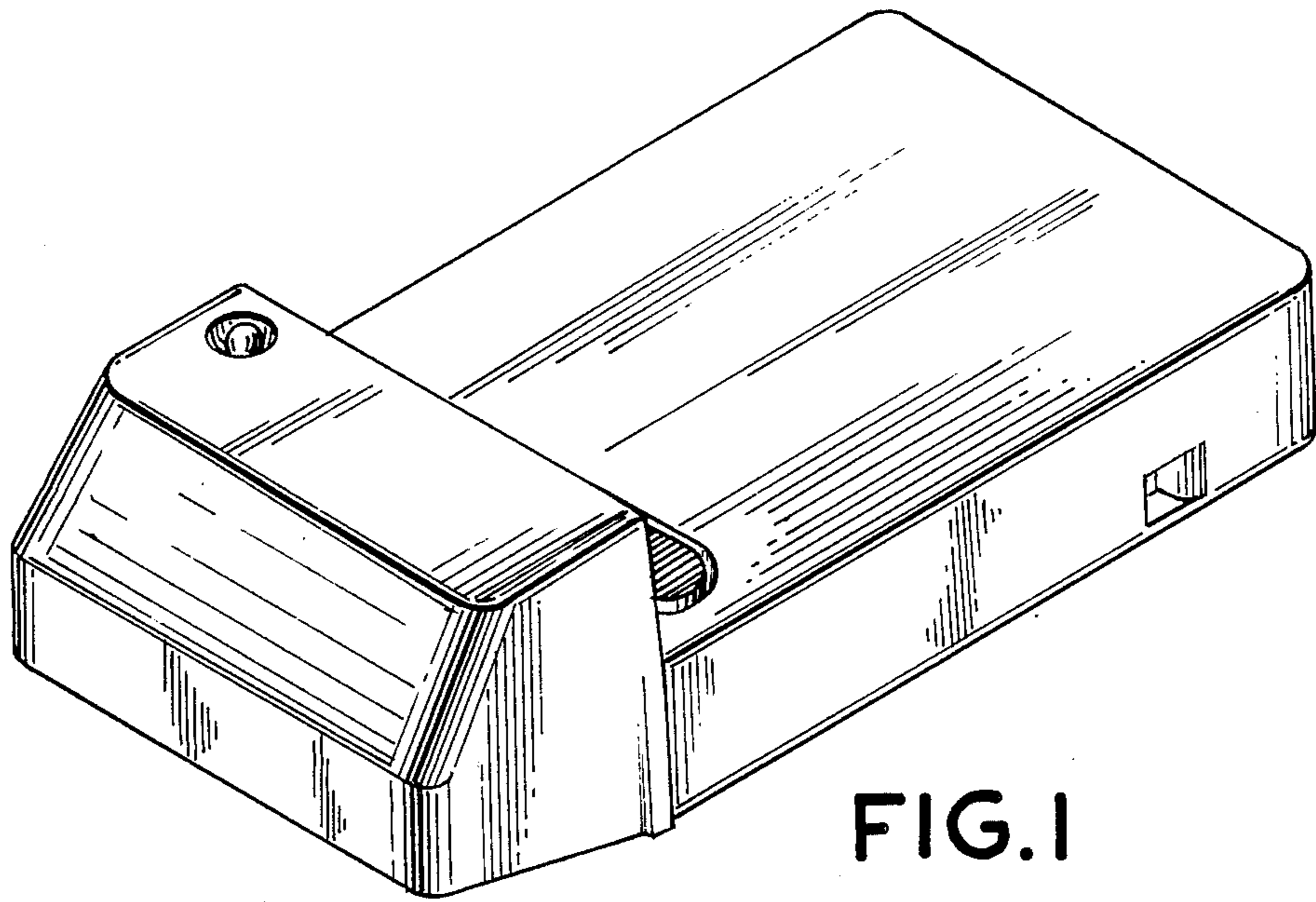


FIG. 1

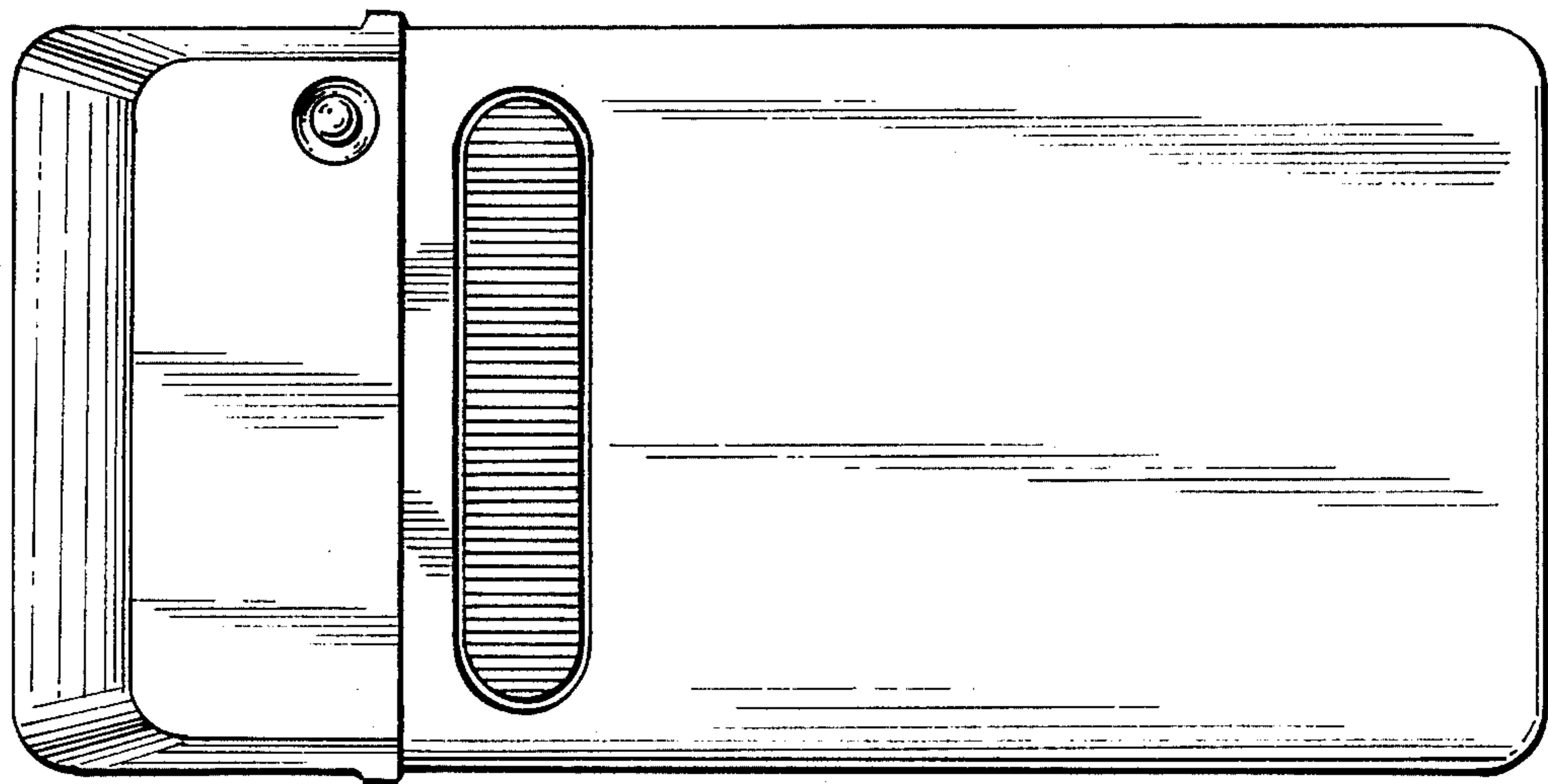


FIG. 2

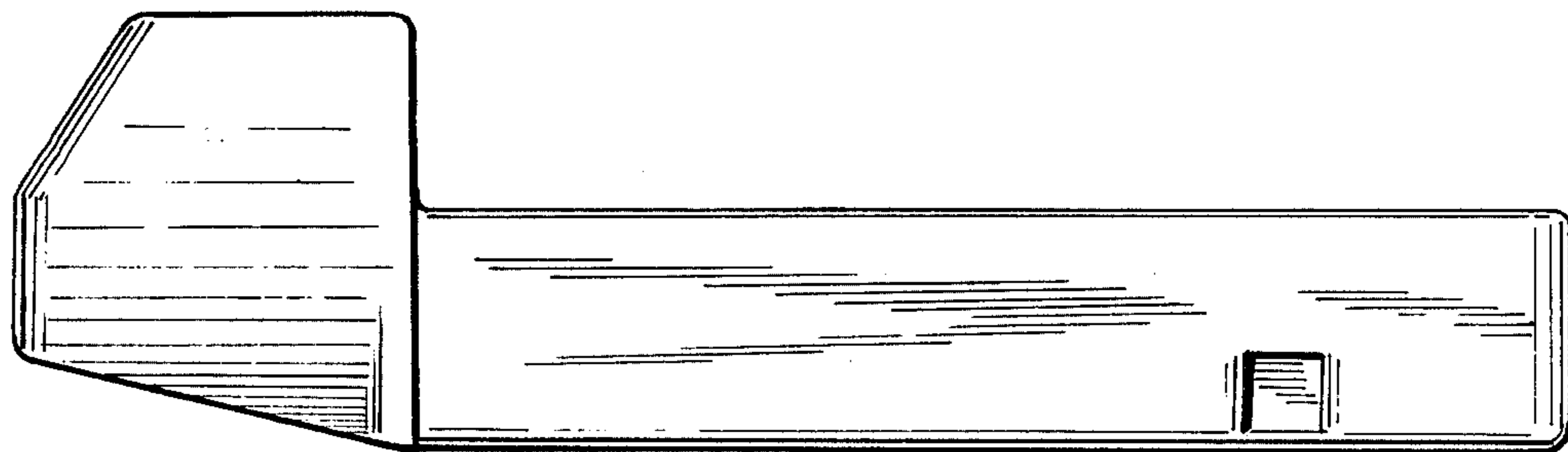


FIG. 3

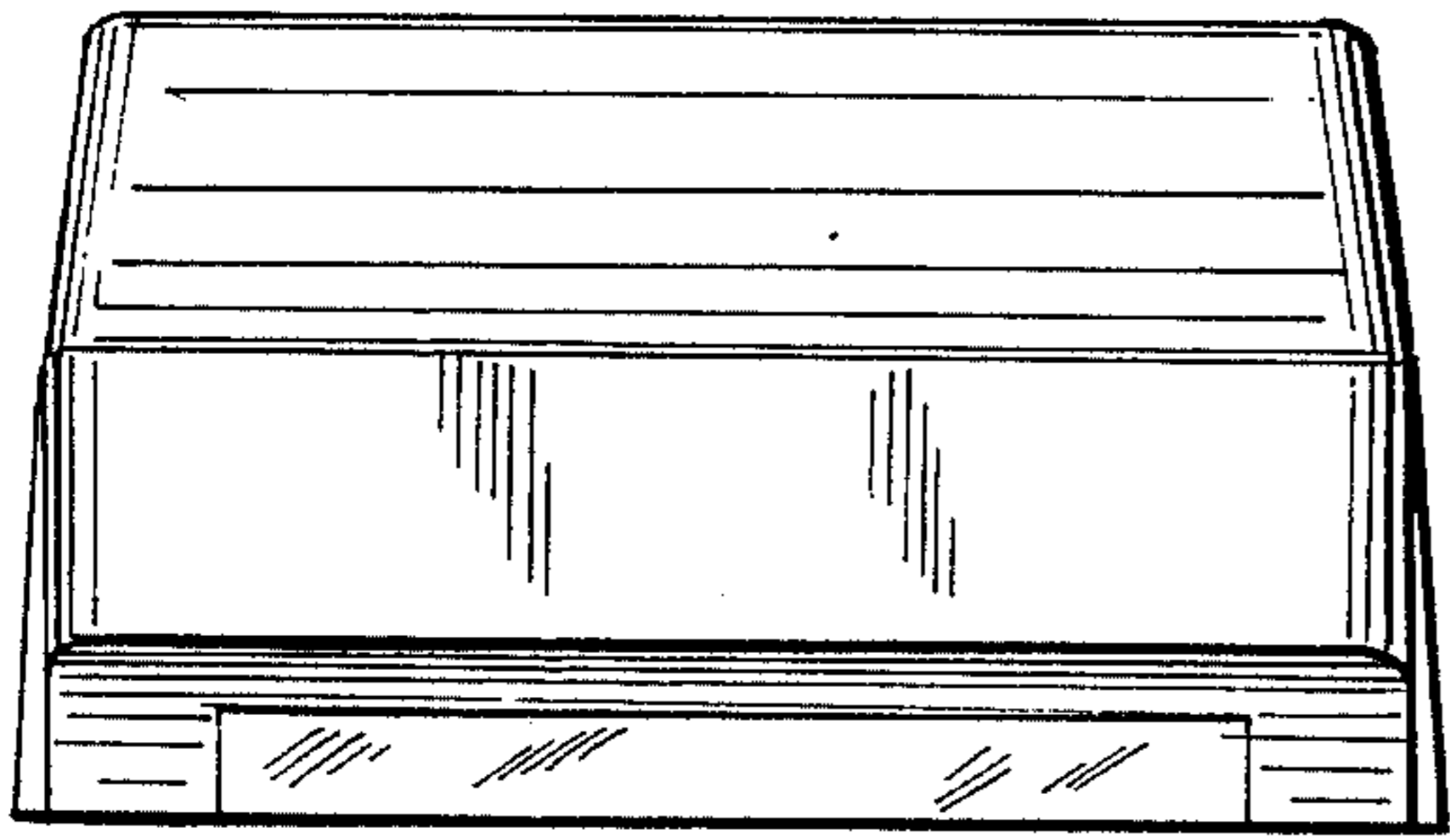


FIG. 4

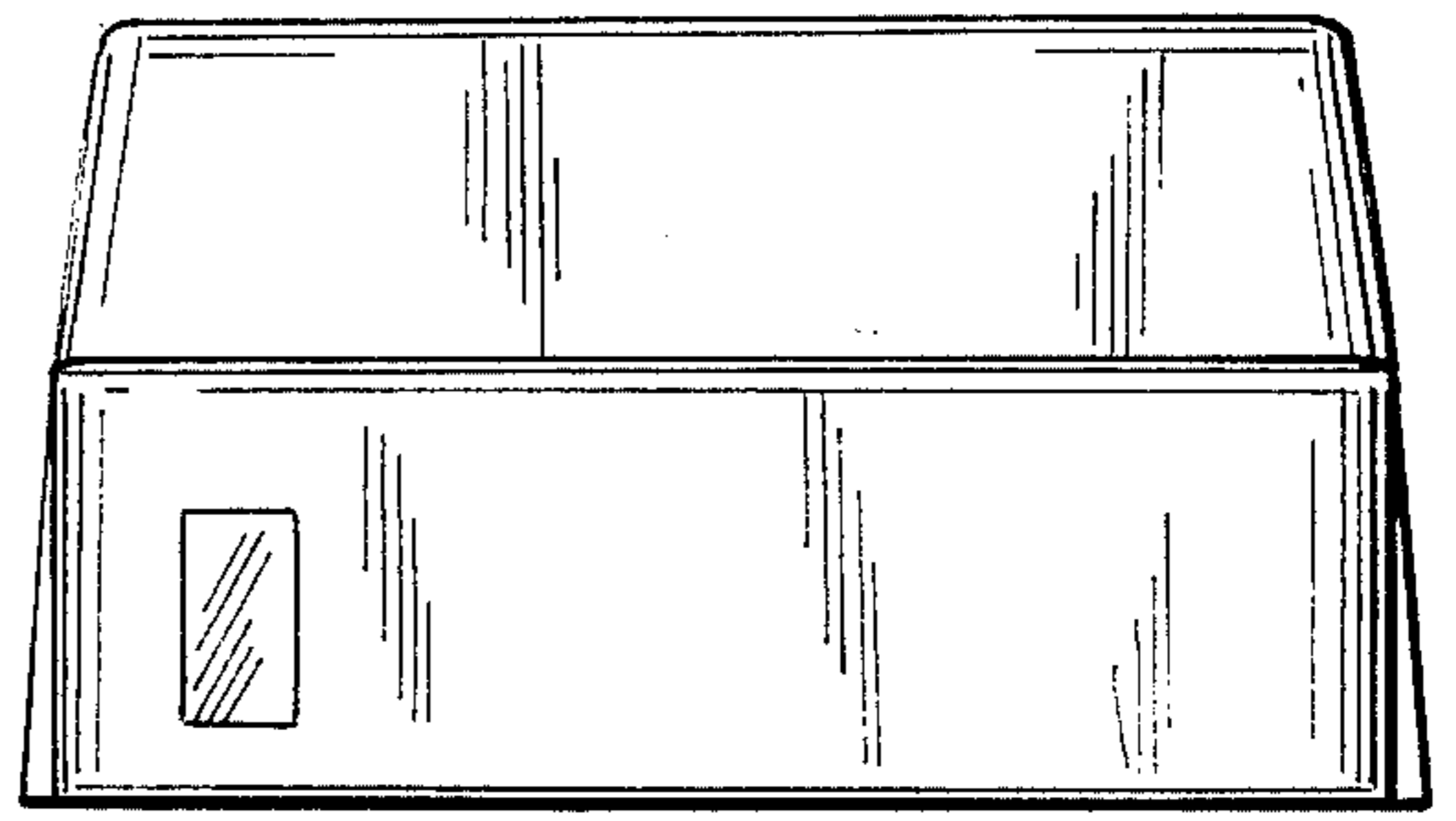


FIG. 5

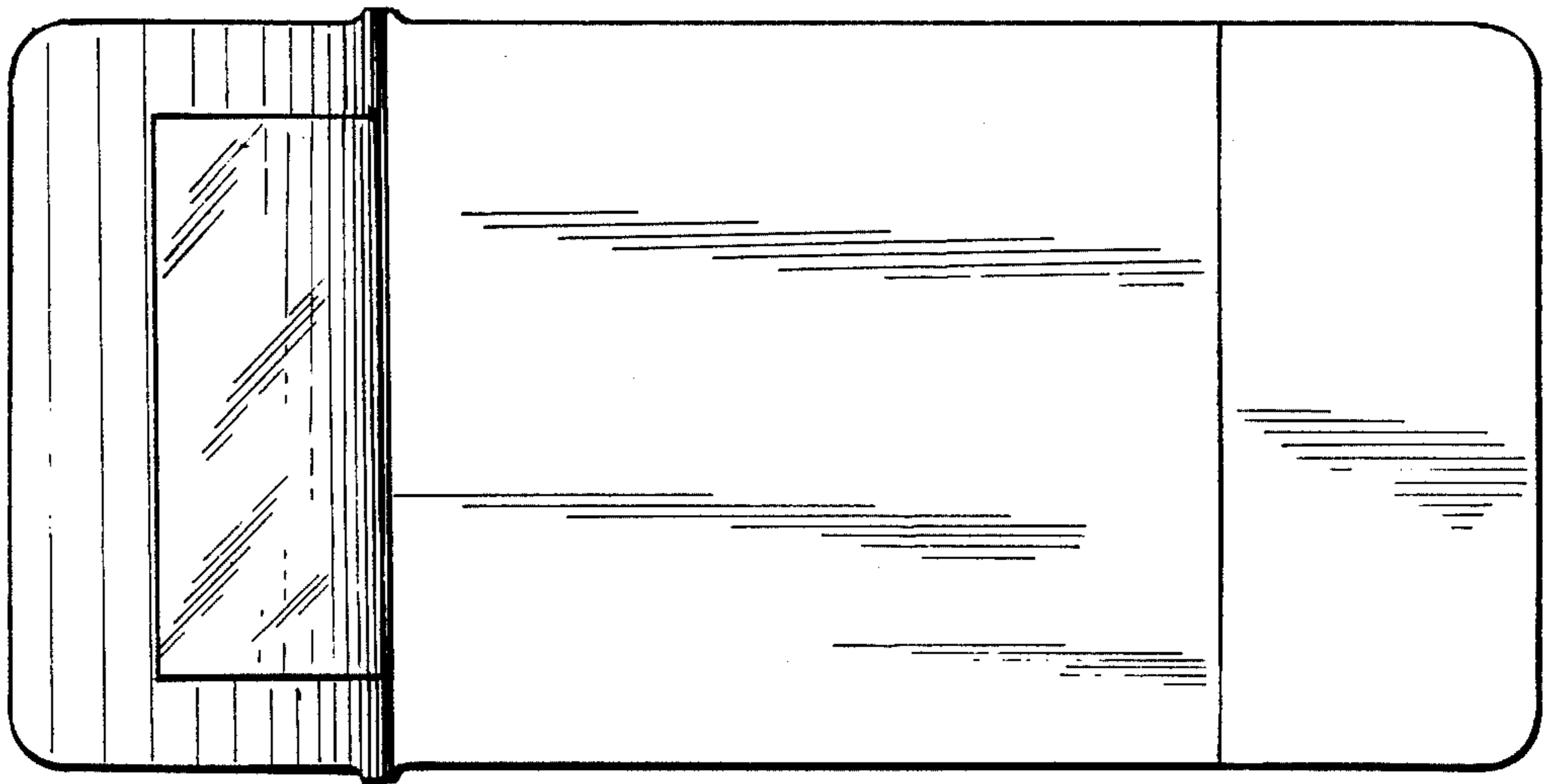


FIG. 6