

[54] **BATTERY**

[75] **Inventors:** Larry K. W. Ching, Jr., Littleton;
Neil Puester, Aurora, both of Colo.

[73] **Assignee:** Gates Energy Products, Inc.,
Gainesville, Fla.

[*] **Notice:** The portion of the term of this patent
subsequent to Apr. 10, 2004 has been
disclaimed.

[**] **Term:** 14 Years

[21] **Appl. No.:** 194,075

[22] **Filed:** May 13, 1988

[52] **U.S. Cl.** D13/103; D13/104

[58] **Field of Search** D13/4, 8-11;
D14/137; 429/27, 54, 97-100, 123, 133, 149,
151, 153, 159, 160, 163, 176; 307/150; 320/2

[56] **References Cited**

U.S. PATENT DOCUMENTS

816,384 3/1906 Schneider 429/99
3,510,376 5/1970 Freire et al. 429/97 X

FOREIGN PATENT DOCUMENTS

51645 10/1966 Poland 429/99

Primary Examiner—Susan J. Lucas

Assistant Examiner—Joel Sincavage

Attorney, Agent, or Firm—C. H. Castleman, Jr.; H. W.
Oberg, Jr.

[57] **CLAIM**

The ornamental design for a battery, as shown and
described.

DESCRIPTION

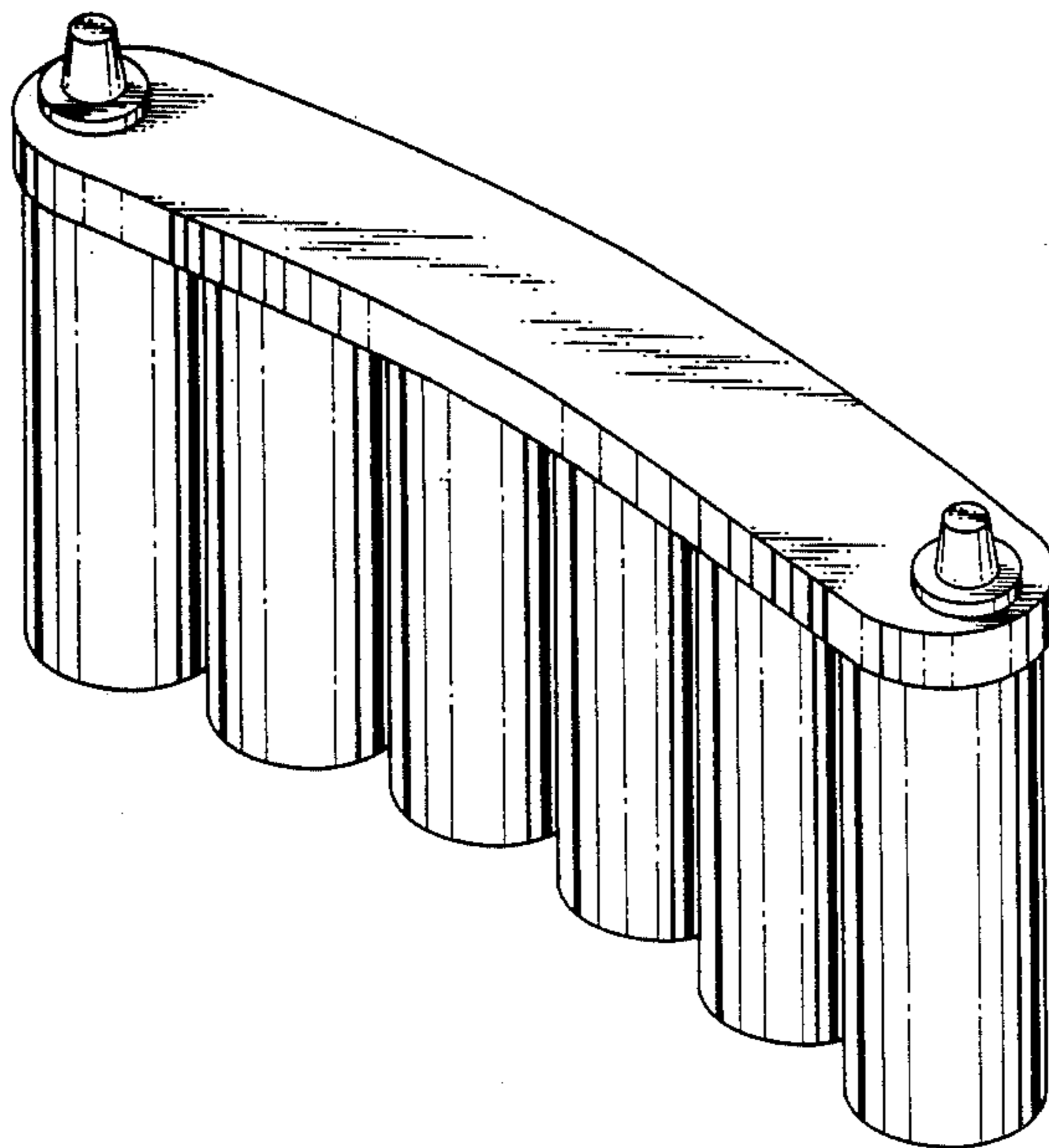
FIG. 1 is a top perspective view of a battery showing
our new design;

FIG. 2 is an end elevational view thereof;

FIG. 3 is a top plan view thereof;

FIG. 4 is a bottom plan view thereof; and

FIG. 5 is a front elevational view thereof.



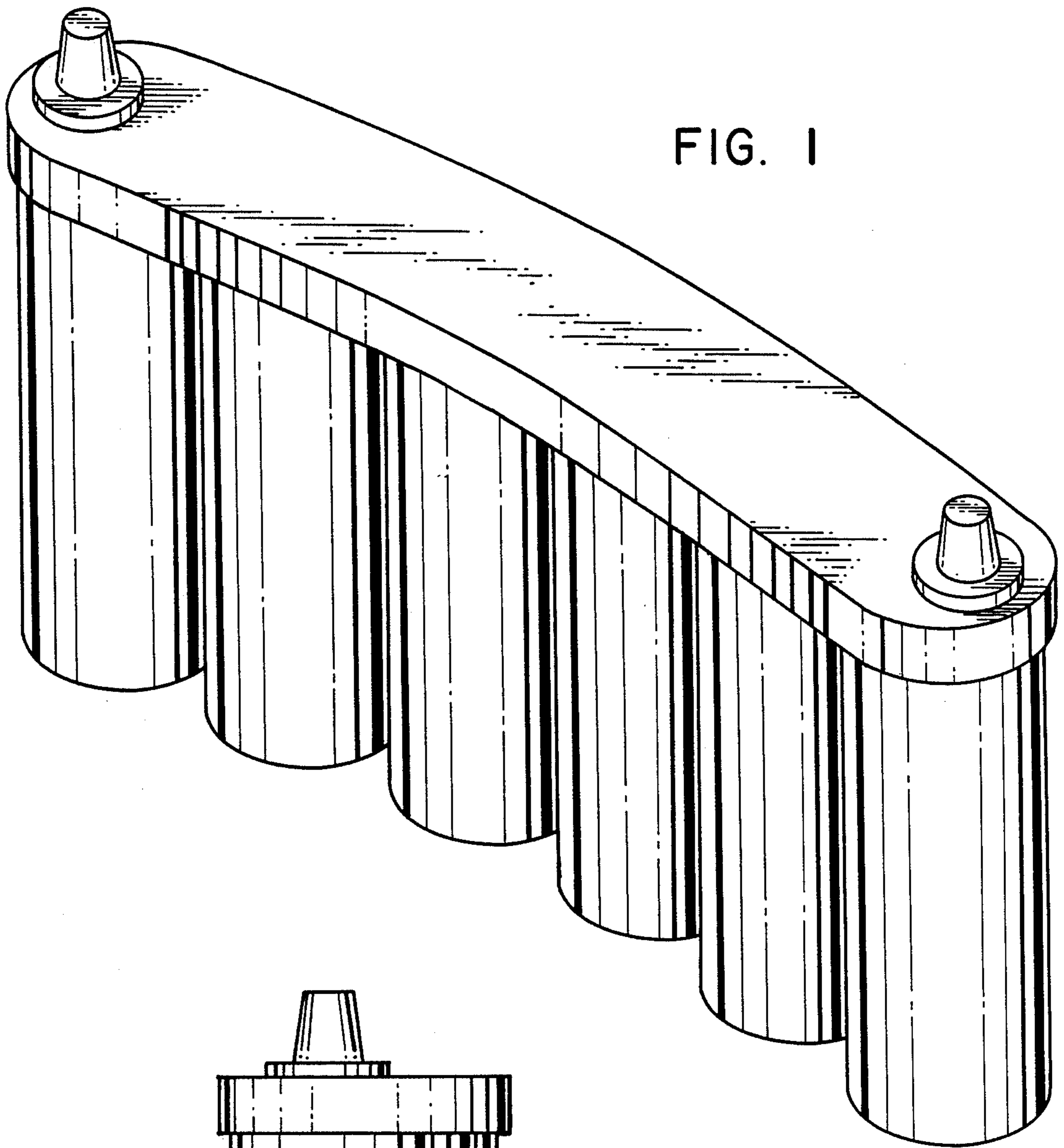


FIG. 1

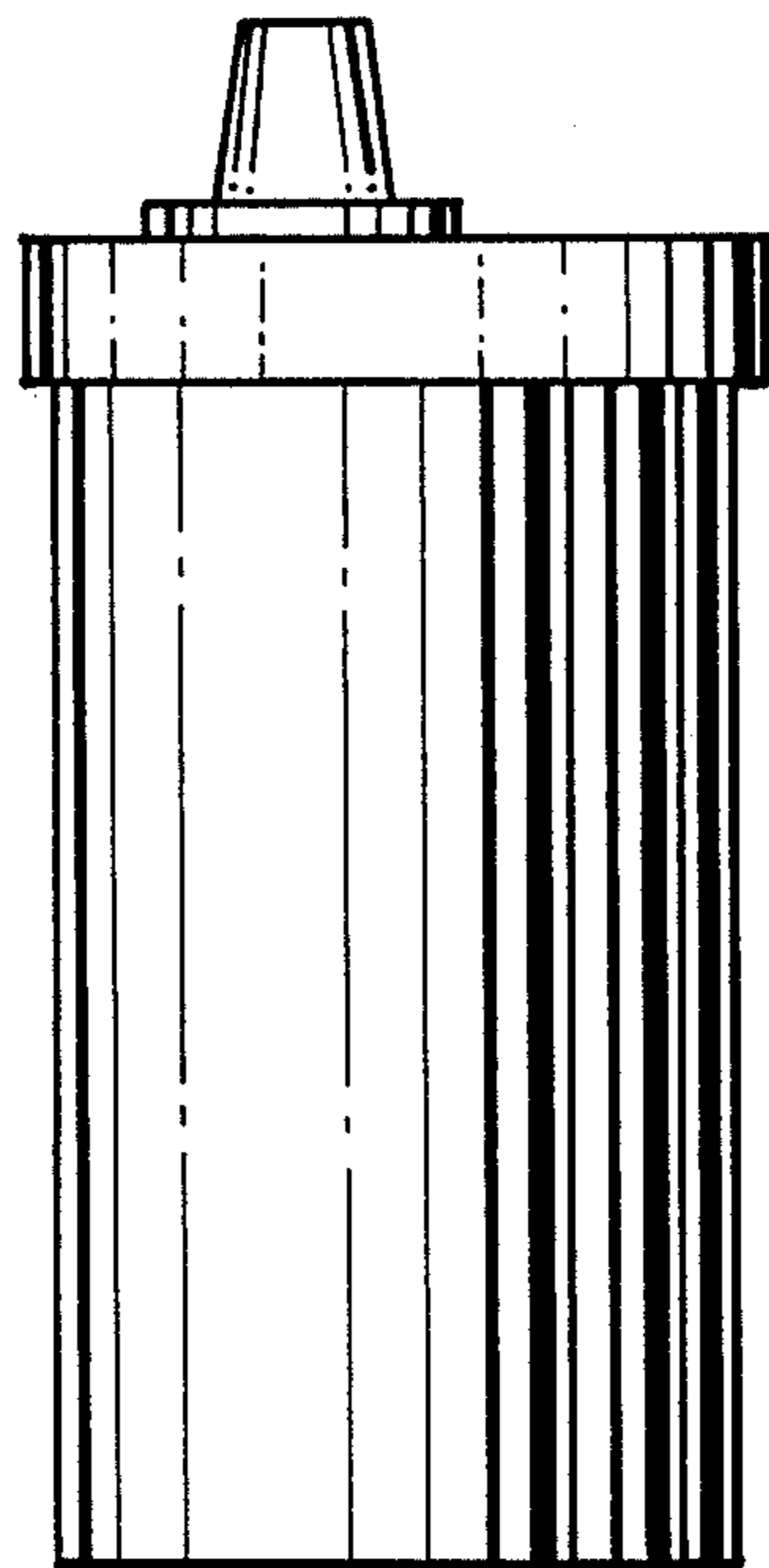


FIG. 2

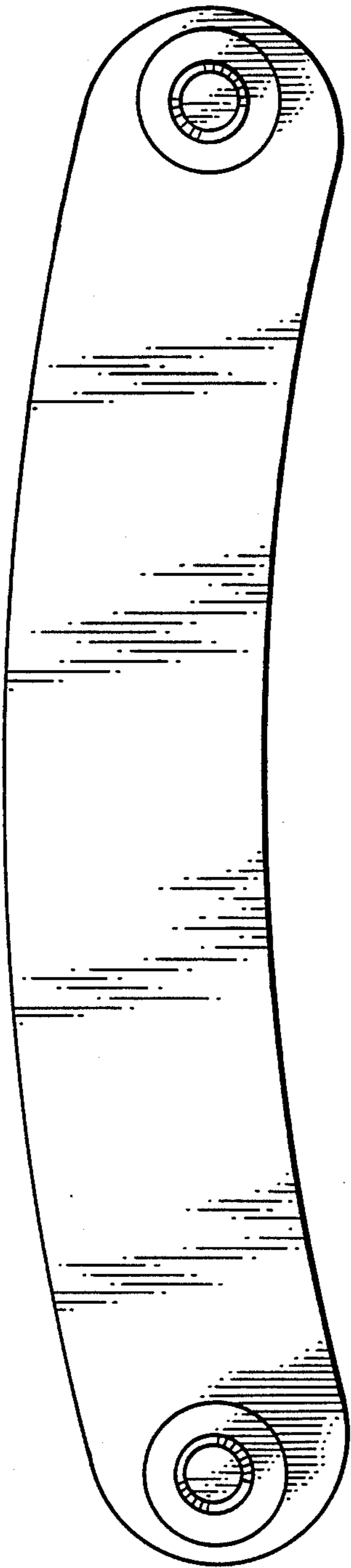


FIG. 3

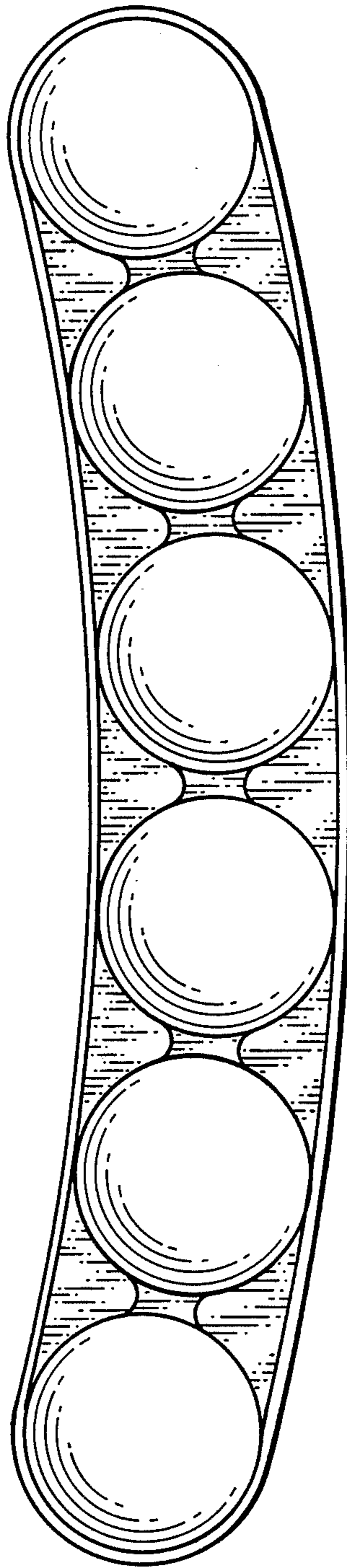


FIG. 4

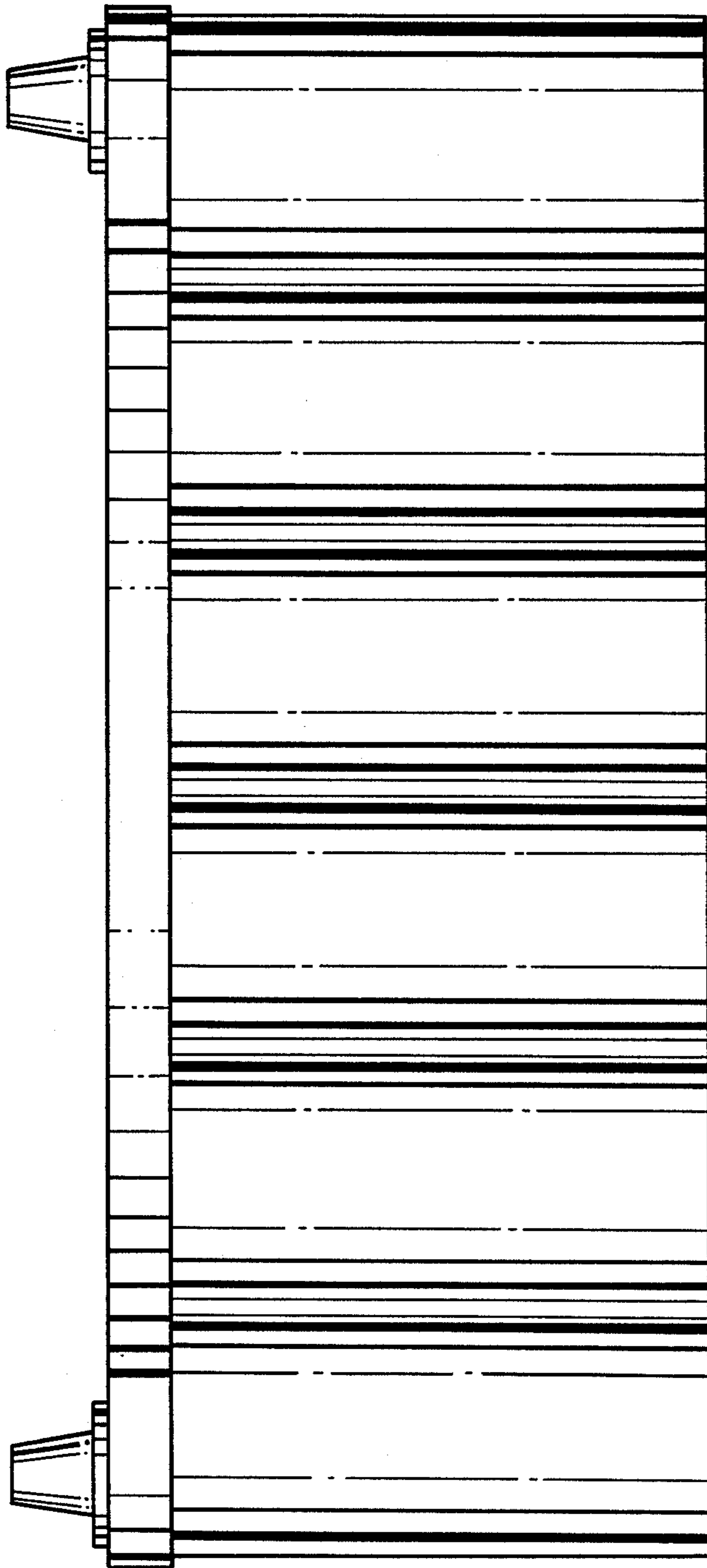


FIG. 5