

[54] SCALE

[75] Inventor: Rido Busse, Elchingen, Fed. Rep. of Germany

[73] Assignee: SOEHNLE-Waagen GmbH & Co., Murrhardt, Fed. Rep. of Germany

[**] Term: 14 Years

[21] Appl. No.: 178,073

[22] Filed: Apr. 5, 1988

[30] Foreign Application Priority Data

Jan. 14, 1988 [WO] World Int. Prop. O. ... DM/010 061

[52] U.S. Cl. D10/92

[58] Field of Search D10/92; 177/47, 256, 177/211, DIG. 3

[56] References Cited

U.S. PATENT DOCUMENTS

D. 281,235 11/1985 Busse D10/91

D. 289,245 5/1987 Busse D10/92

Primary Examiner—Nelson C. Holtje

Assistant Examiner—Antoinc D. Davis
Attorney, Agent, or Firm—Flynn, Thiel, Boutell & Tanis

[57] CLAIM

The ornamental designs for a scale, as shown and described.

DESCRIPTION

FIG. 1 is a top, front, and right side perspective view of a scale showing my new design;

FIG. 2 is a top plan view;

FIG. 3 is a right side elevational view, the left side elevational view being a mirror image;

FIG. 4 is a front elevational view, the rear elevational view being a mirror image;

FIG. 5 is a bottom plan view;

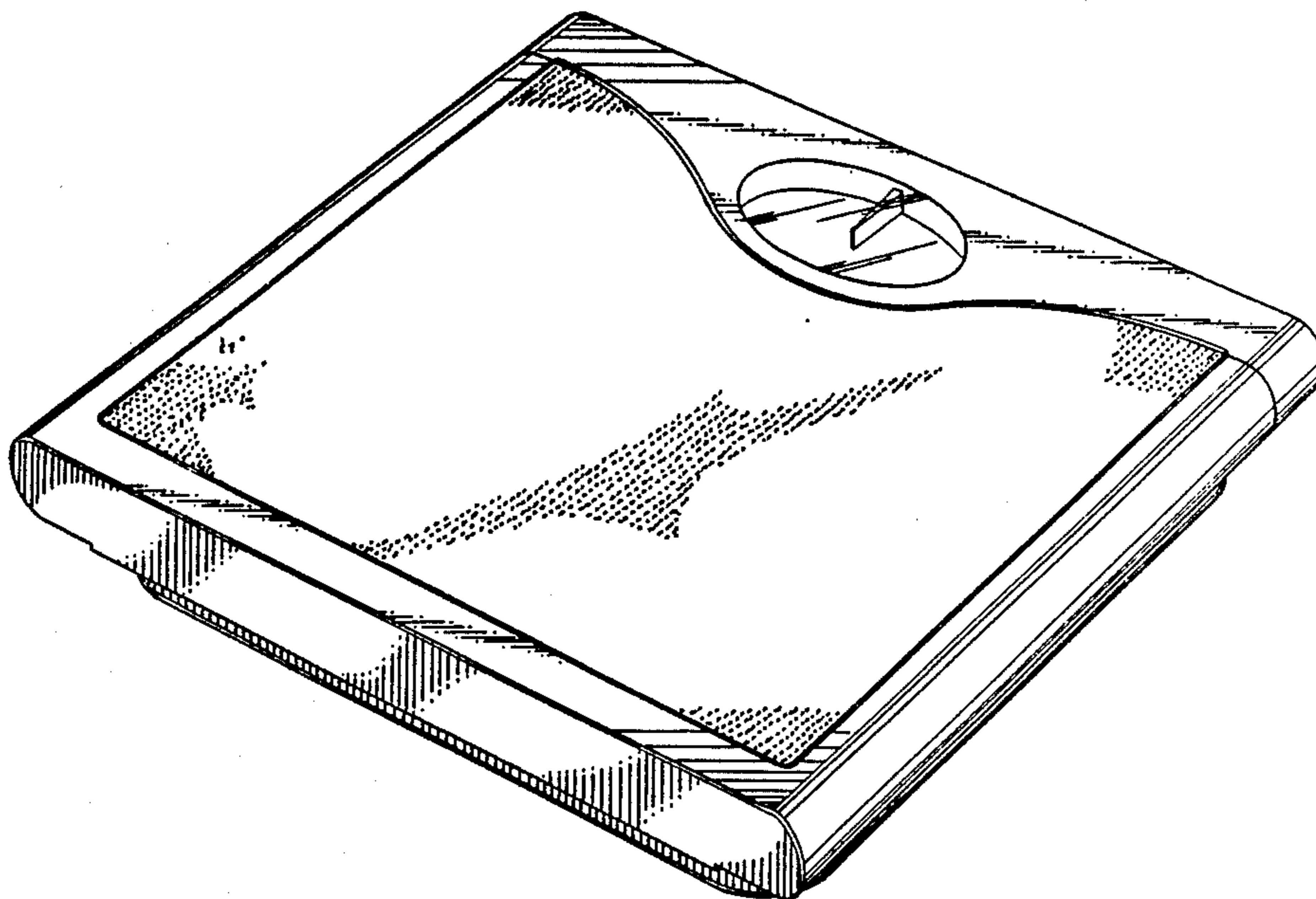
FIG. 6 is a top, front, and right side perspective view, of another embodiment of my design of FIGS. 1-5.

FIG. 7 is a top plan view;

FIG. 8 is a right side elevational view, the left side elevational view being a mirror image;

FIG. 9 is a front elevational view, the rear elevational view being a mirror image; and

FIG. 10 is a bottom plan view thereof.



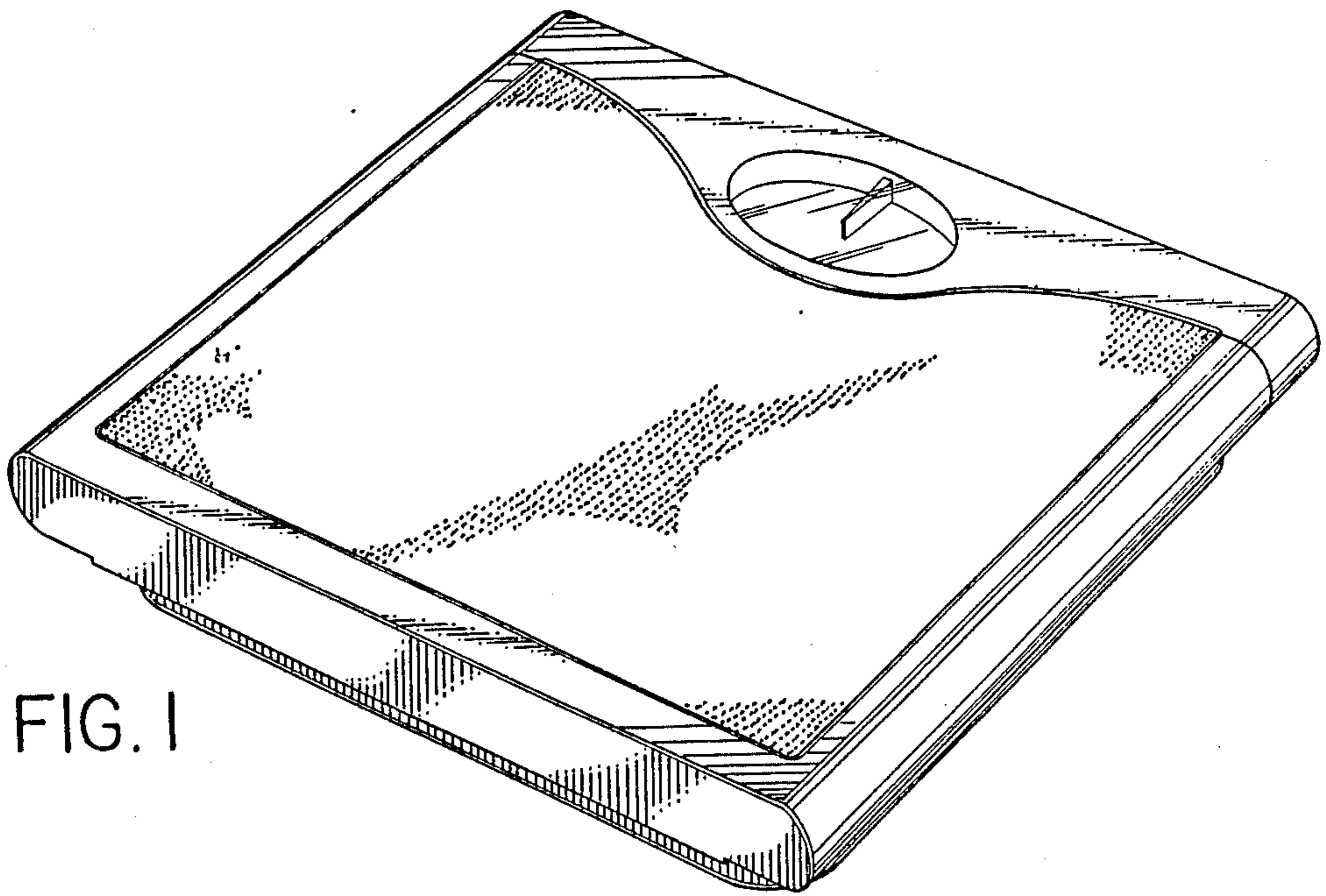


FIG. 1

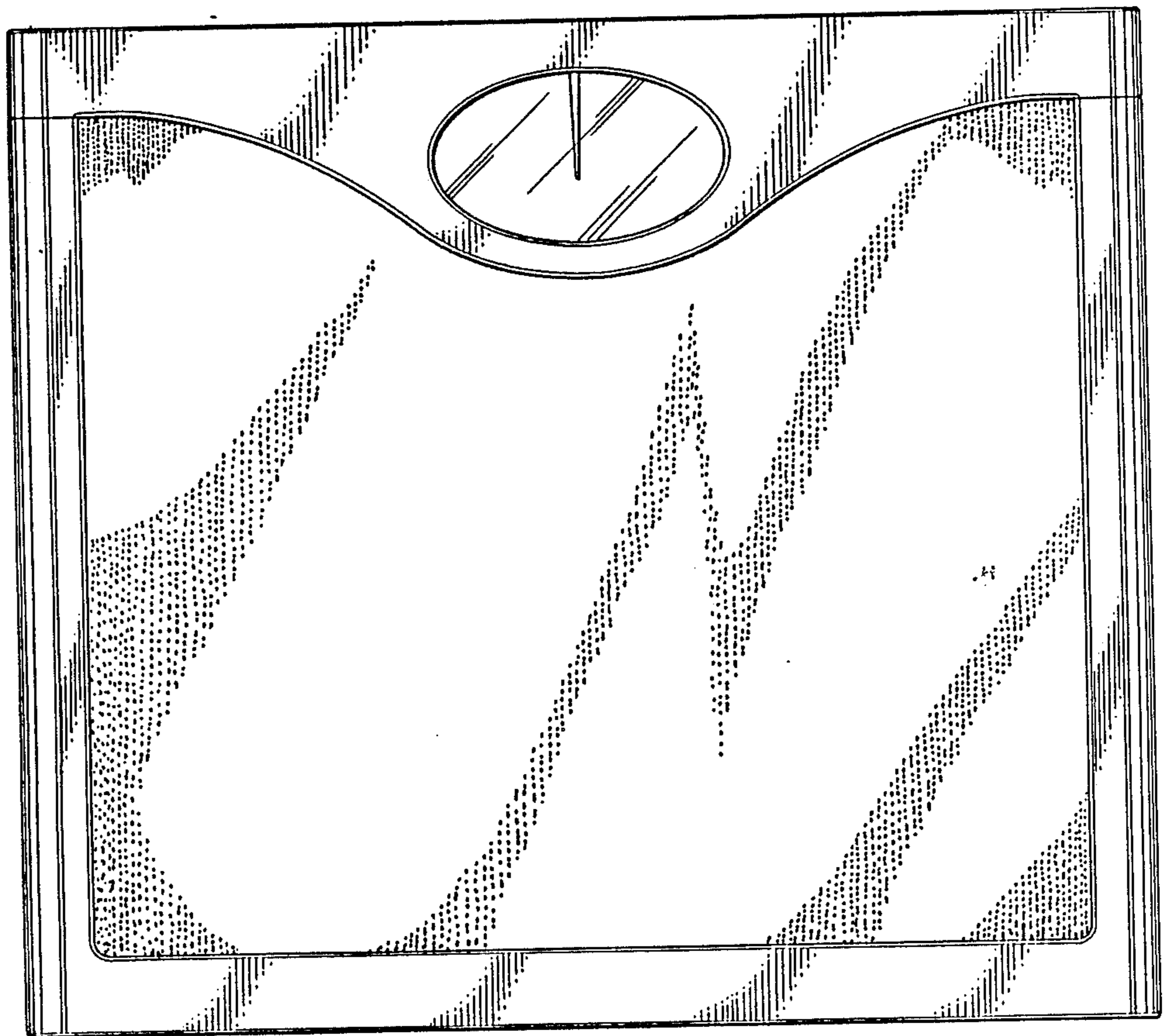


FIG. 2

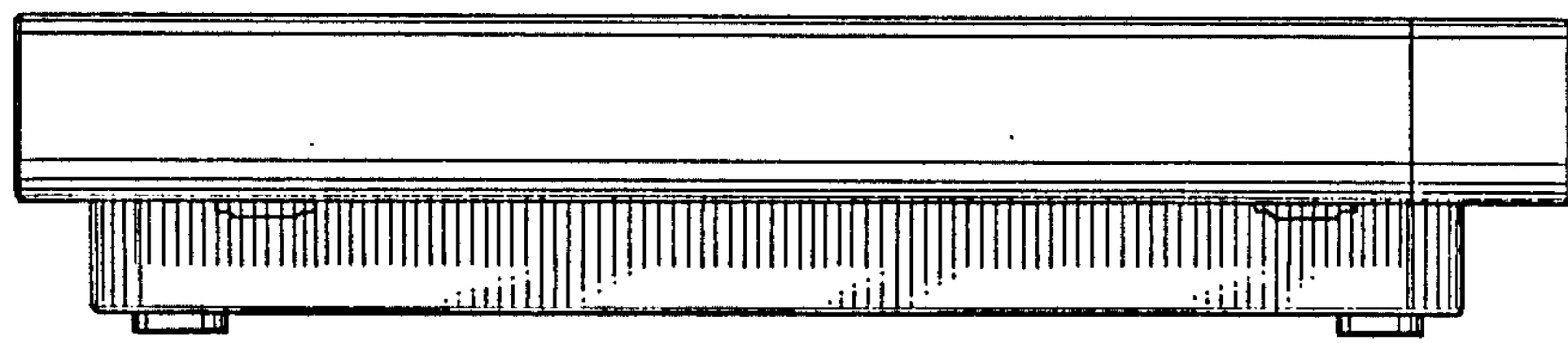


FIG. 3

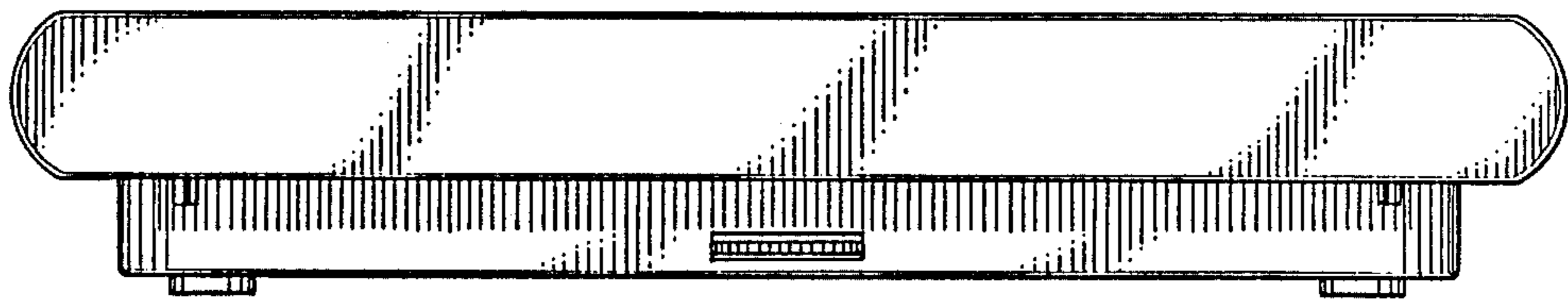


FIG. 4

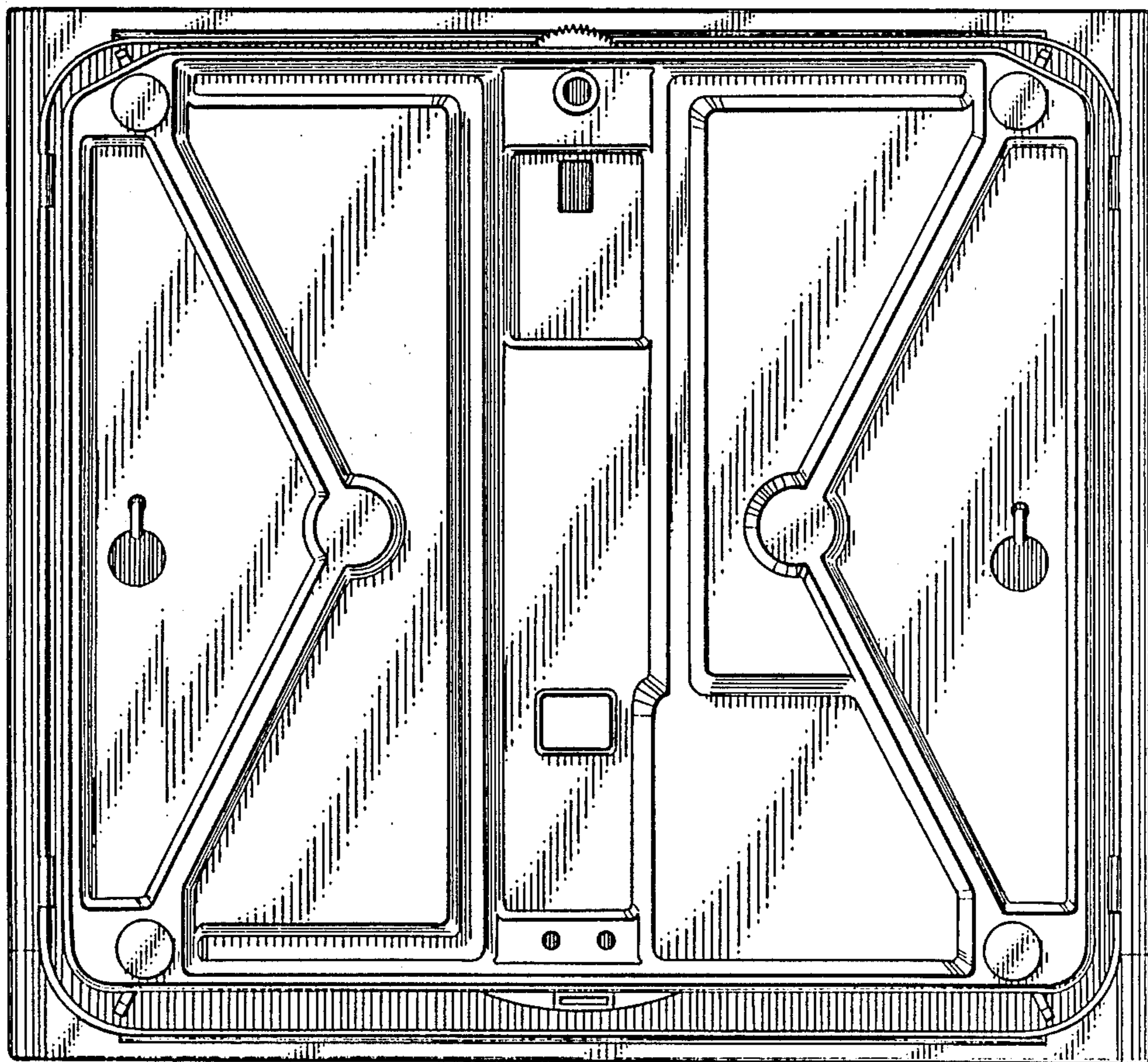


FIG. 5

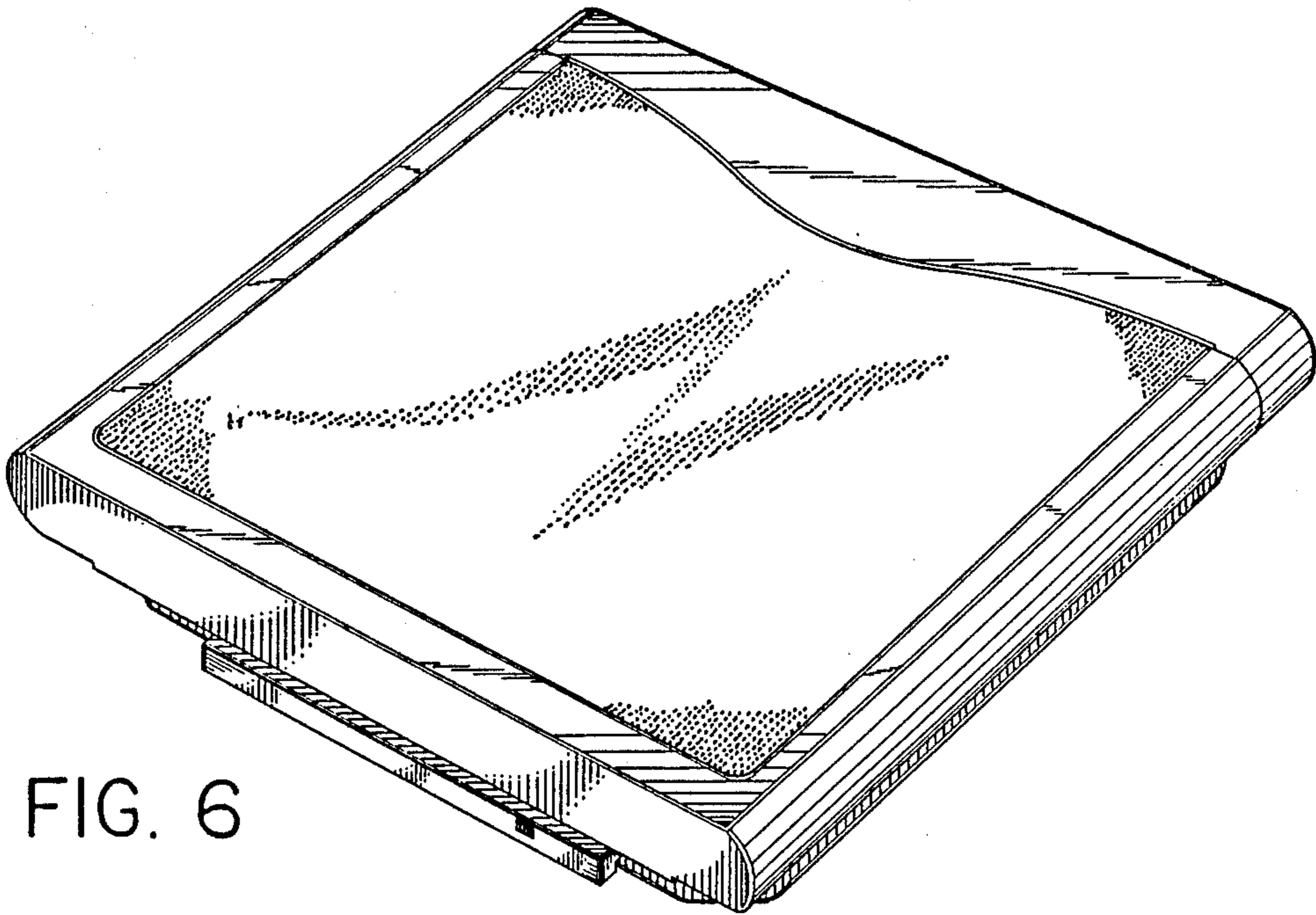


FIG. 6

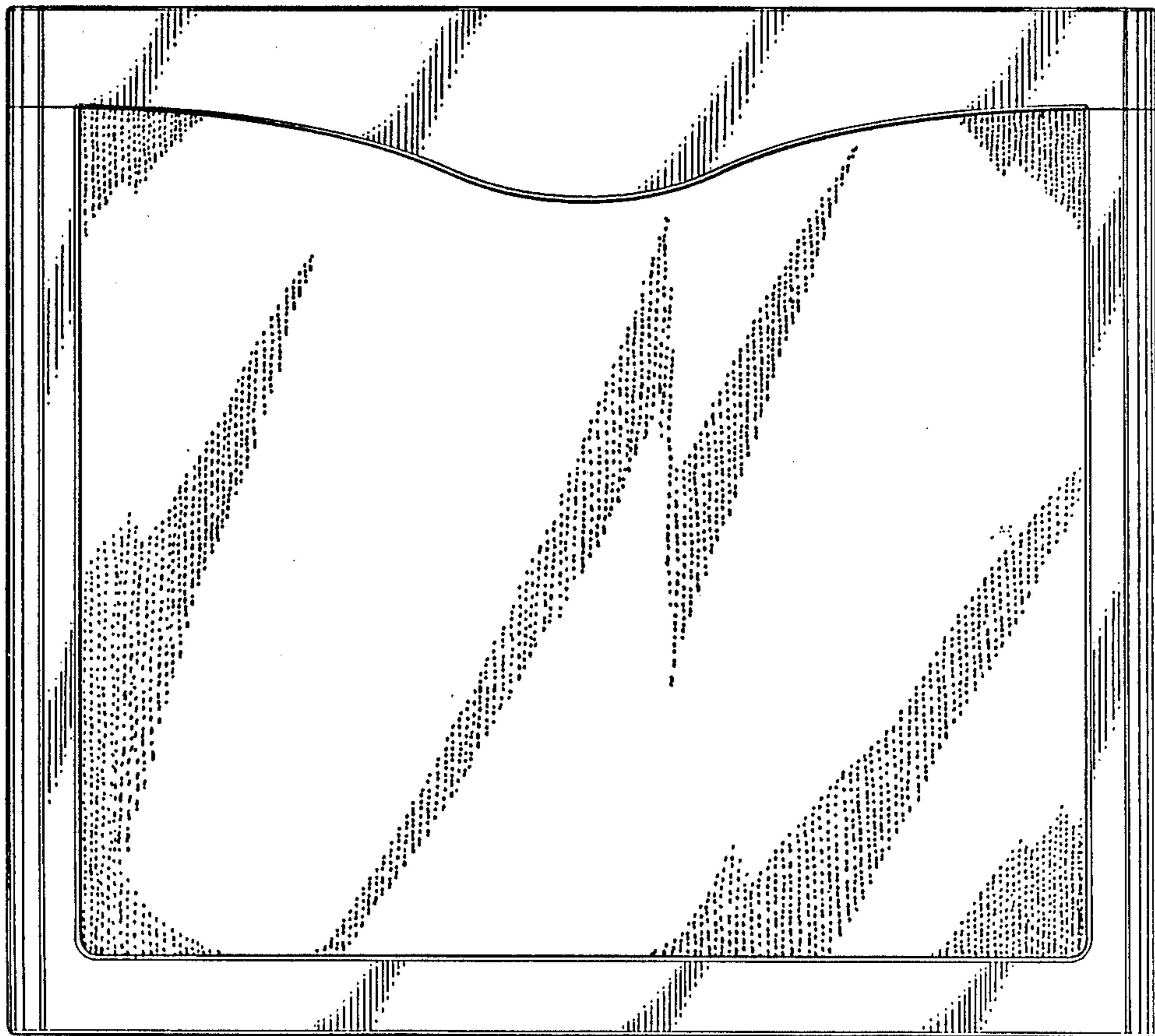


FIG. 7

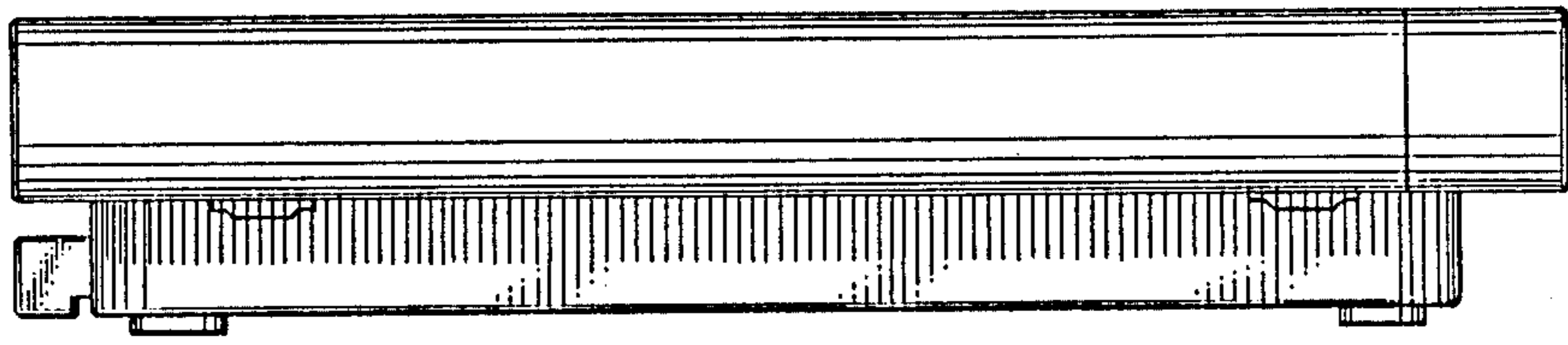


FIG. 8

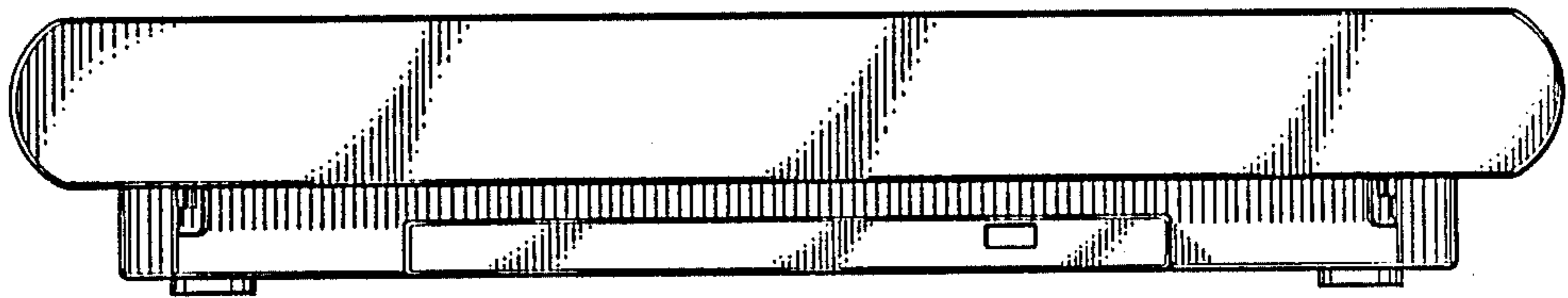


FIG. 9

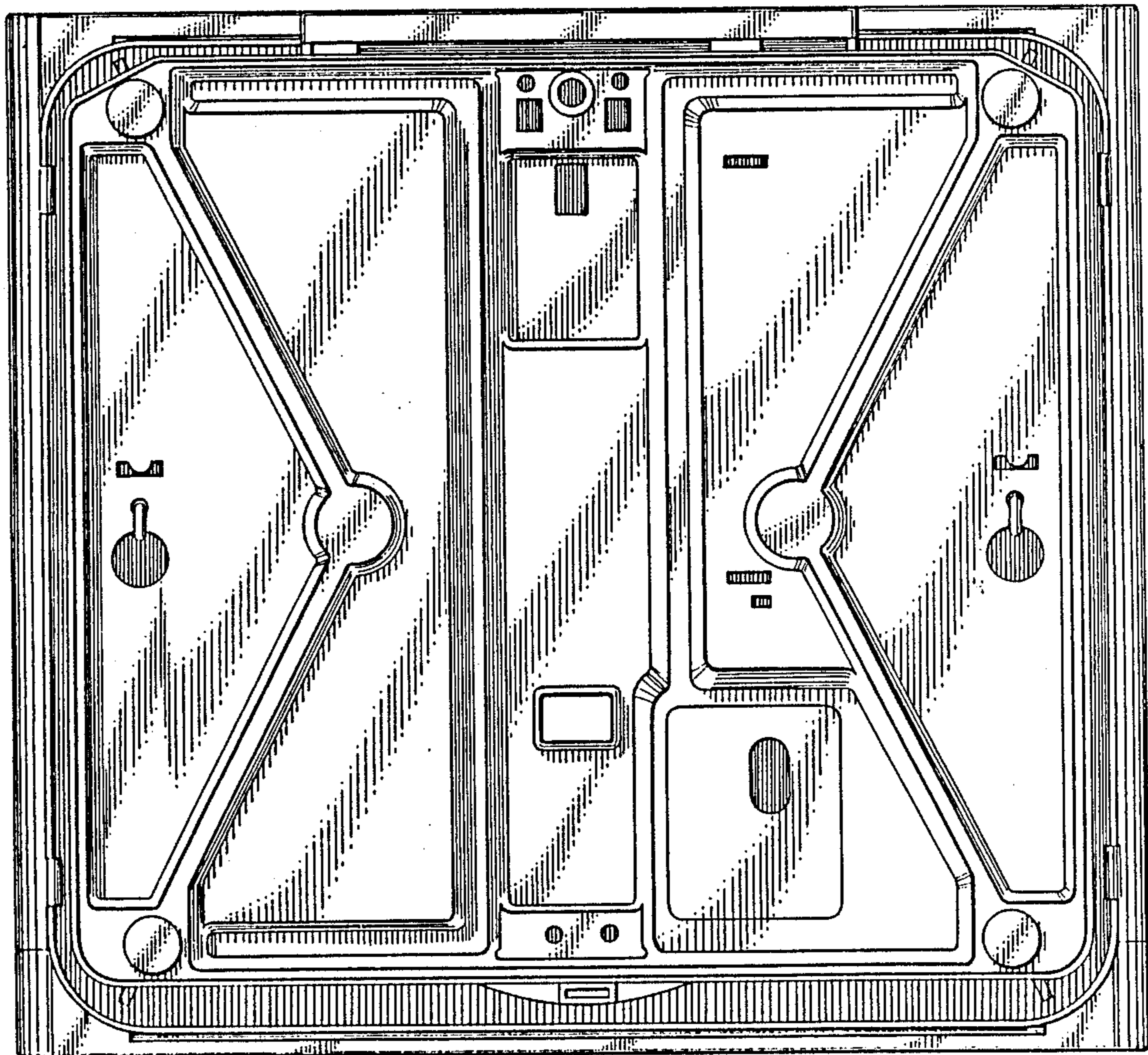


FIG. 10