

- [54] **LABORATORY FLASK HOLDER**
- [76] **Inventor: Robert J. Miskinis, 9330 Stevens Rd., Santee, Calif. 92071**
- [**] **Term: 14 Years**
- [21] **Appl. No.: 122,347**
- [22] **Filed: Nov. 18, 1987**
- [52] **U.S. Cl. D9/455; D24/8; D24/29**
- [58] **Field of Search D24/31, 8; 211/74; 248/94, 311.2, 310, 312, 146, DIG. 12; D9/455**

- [56] **References Cited**
U.S. PATENT DOCUMENTS
D. 295,962 5/1988 Conlon D24/8 X
D. 295,963 5/1988 Conlon D24/8 X
2,988,333 6/1961 Mesic D24/8 X
3,858,835 1/1975 Baren 248/94

3,955,683 5/1976 Baren 211/74
4,305,559 12/1981 Jackson D24/8 X

Primary Examiner—A. Hugo Word
Assistant Examiner—Stella M. Reid
Attorney, Agent, or Firm—George J. Rubens

[57] **CLAIM**

The ornamental design for a laboratory flask holder, as shown and described.

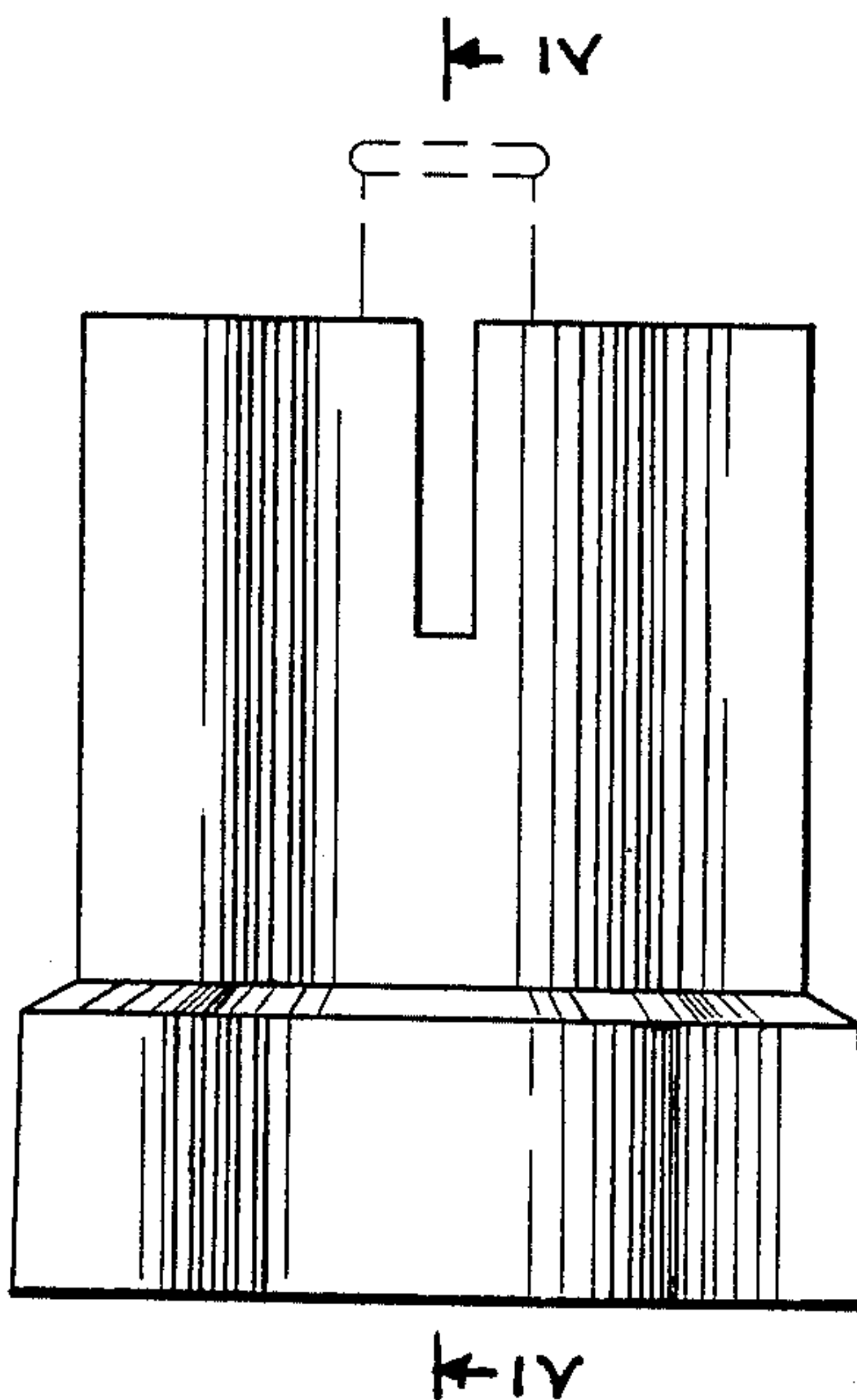
DESCRIPTION

FIG. 1 is a side elevation view of a laboratory flask holder showing my new design in assembled condition with a typical laboratory flask, shown in broken lines, being supported therein.

FIG. 2 is a top view thereof.

FIG. 3 is a bottom view thereof.

FIG. 4 is a cross sectional view taken along line IV—IV of FIG. 1.



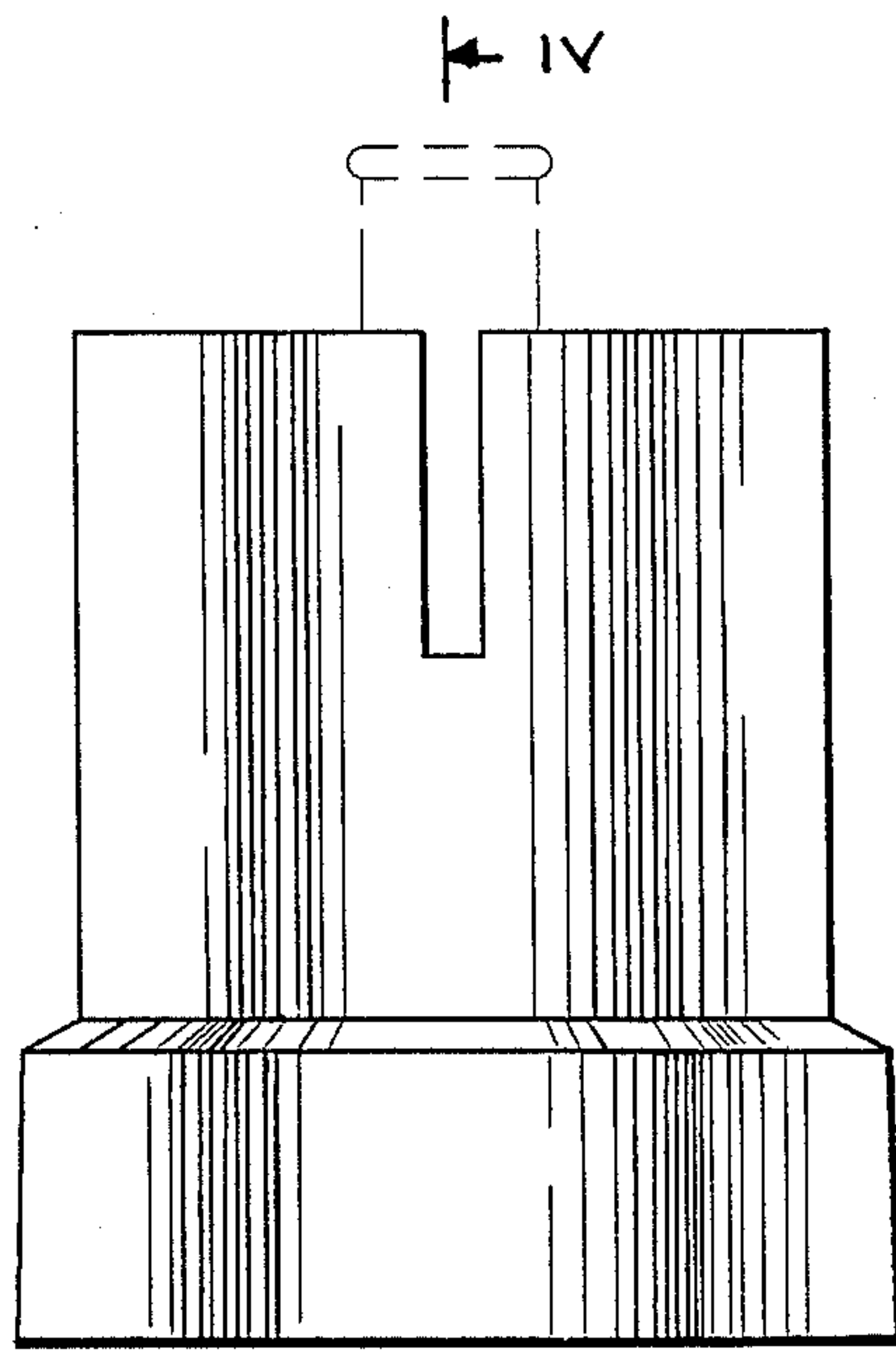


FIG. 1

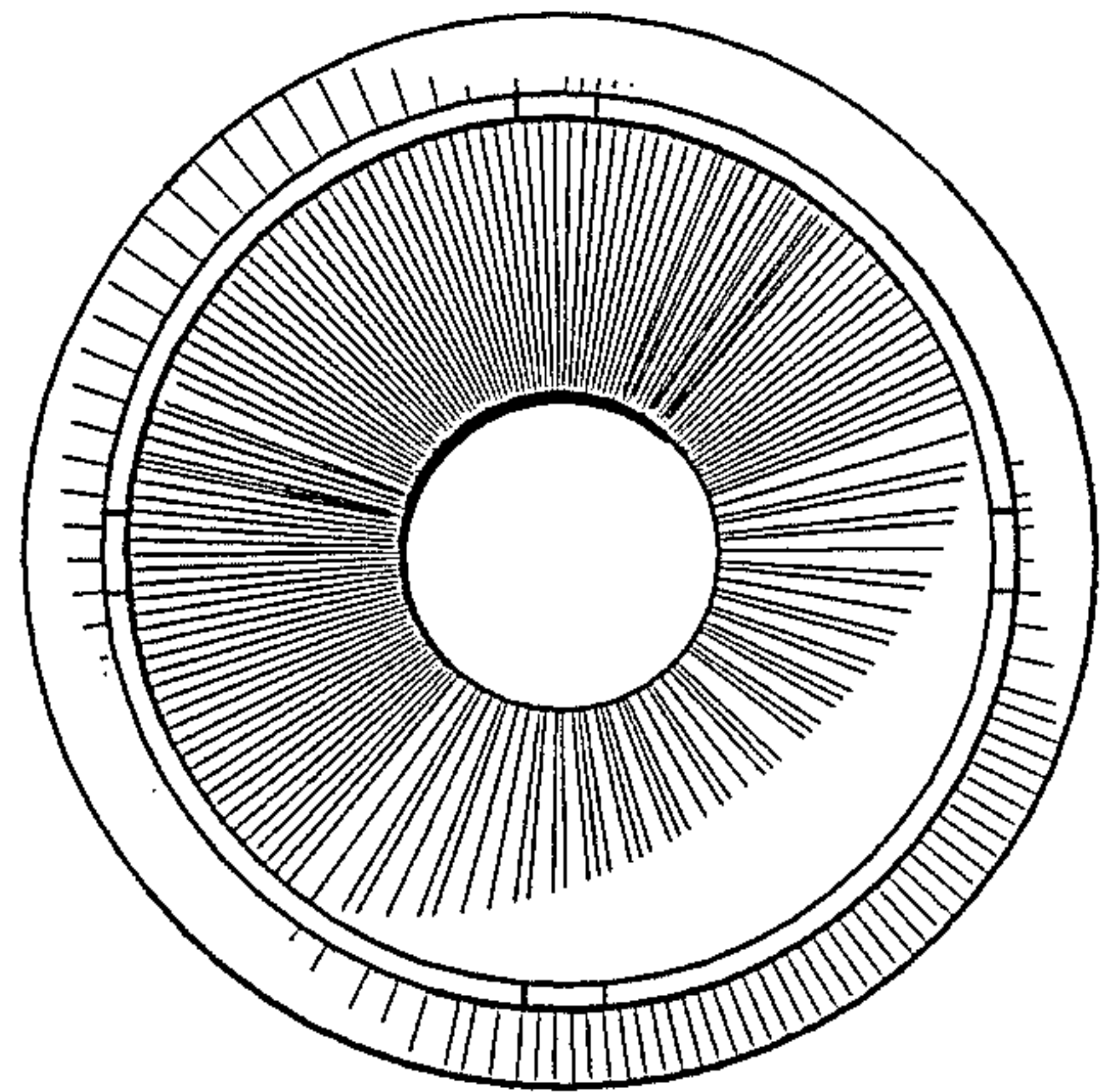


FIG. 2

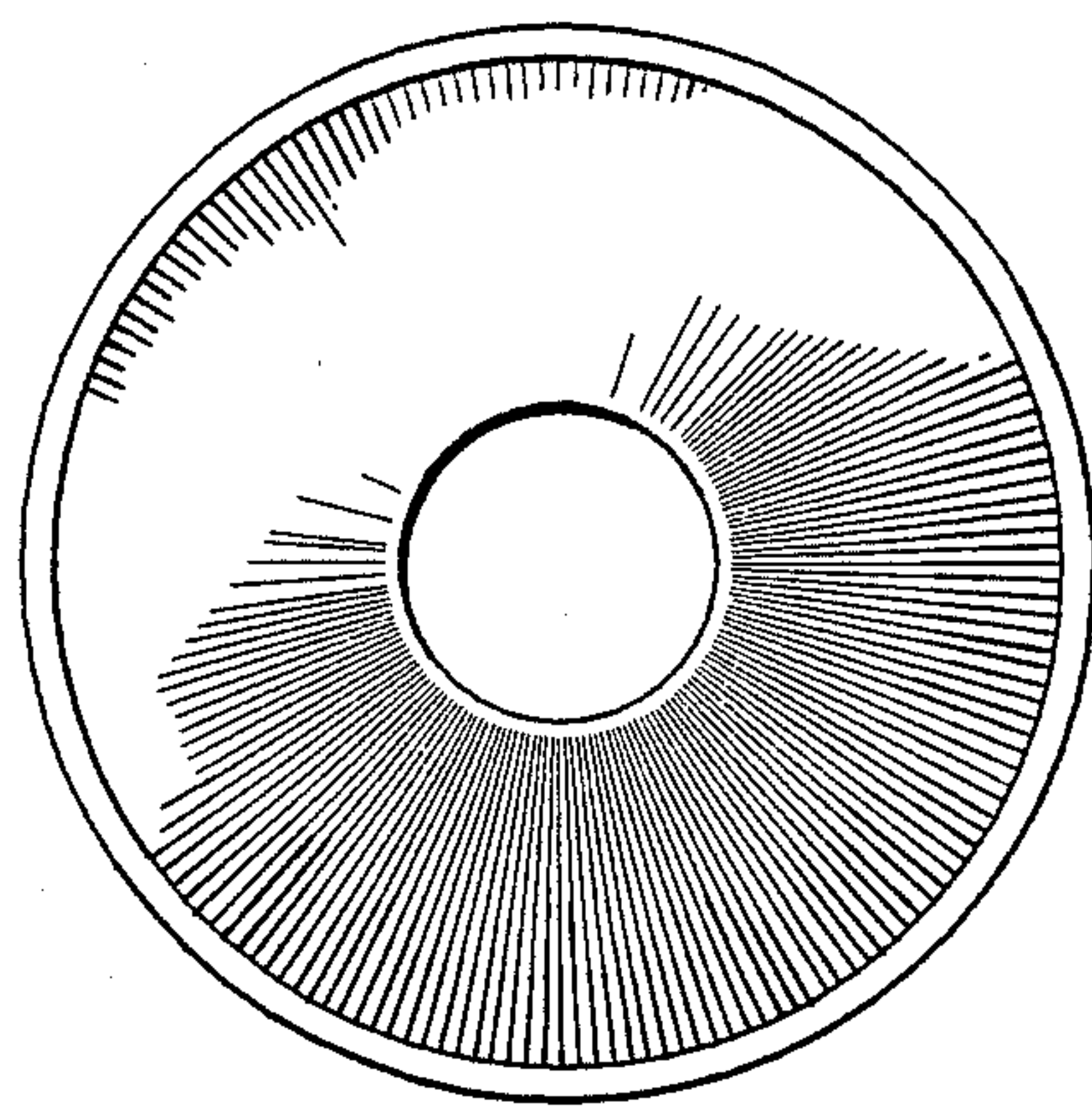


FIG. 3

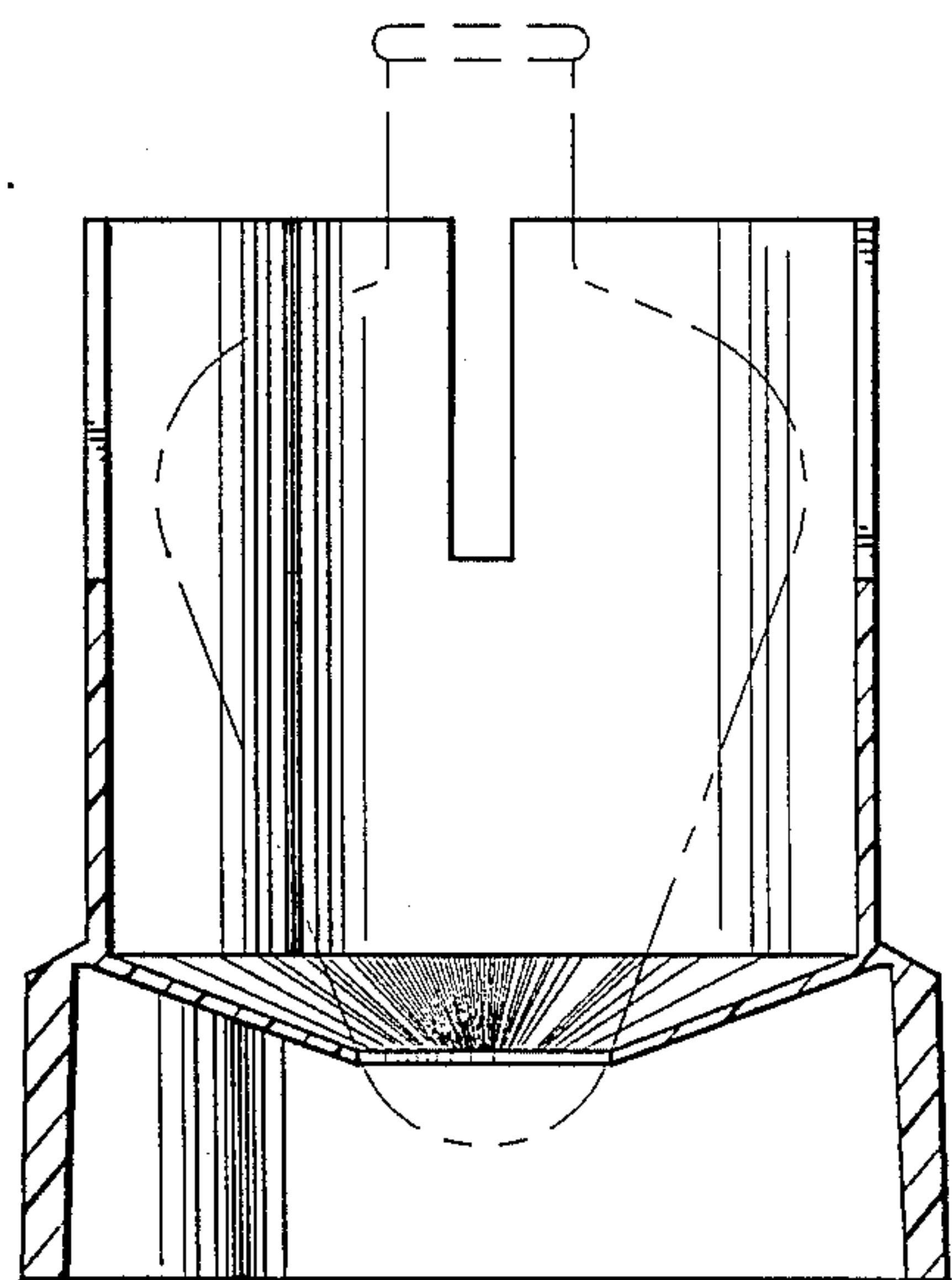


FIG. 4