

[54] **PACKAGING CONTAINER**

[75] **Inventors:** Audri J. Conner, Niles; Christopher P. Guzowski, Hoffman Estates, both of Ill.

[73] **Assignee:** Kraft, Inc., Glenview, Ill.

[**] **Term:** 14 Years

[21] **Appl. No.:** 66,102

[22] **Filed:** Jun. 24, 1987

[52] **U.S. Cl.** D9/352; D9/355; D9/399

[58] **Field of Search** D7/16, 17, 51, 70, 79; D9/349, 350, 351, 352, 353, 355, 367, 377, 399; 206/822; 215/DIG. 8, 354, 356; 220/18, 213, 355

[56] **References Cited**

U.S. PATENT DOCUMENTS

D. 175,835	10/1955	Hill	D7/76
D. 204,712	5/1966	Shelby	D58/11
D. 220,751	5/1971	Artz	D9/219
D. 241,399	9/1976	Christian	D7/17
D. 244,065	4/1977	Daenen	D7/23
D. 244,246	5/1977	Daenen	D7/17
D. 256,078	7/1980	Croyle	D7/16
D. 256,205	8/1980	Bateman et al.	D7/23
D. 269,148	5/1983	Trkla et al.	D7/77
D. 271,555	11/1983	Daehen	D7/78
D. 276,139	10/1984	Rayner	D9/352

D. 276,400	11/1984	Daenen	D7/16
D. 276,783	12/1984	Hollenbeck	D7/16
D. 278,514	4/1985	Moore	D9/341
1,514,379	11/1924	Fleischer	.	
3,194,423	7/1965	Malloff	215/1
3,326,363	6/1967	Bennett	206/47
3,411,921	11/1968	Shifrin	99/171
3,746,158	7/1973	Connick	206/47 R
3,761,285	9/1973	Nagasawa	99/137
4,225,623	9/1980	Stussi	426/42
4,233,325	11/1980	Slagan et al.	426/107
4,444,795	4/1984	Weinstein	426/90
4,465,190	8/1984	Cillario	206/526

OTHER PUBLICATIONS

Copy of Photograph of, "Astro-Dome Yogurt", container.

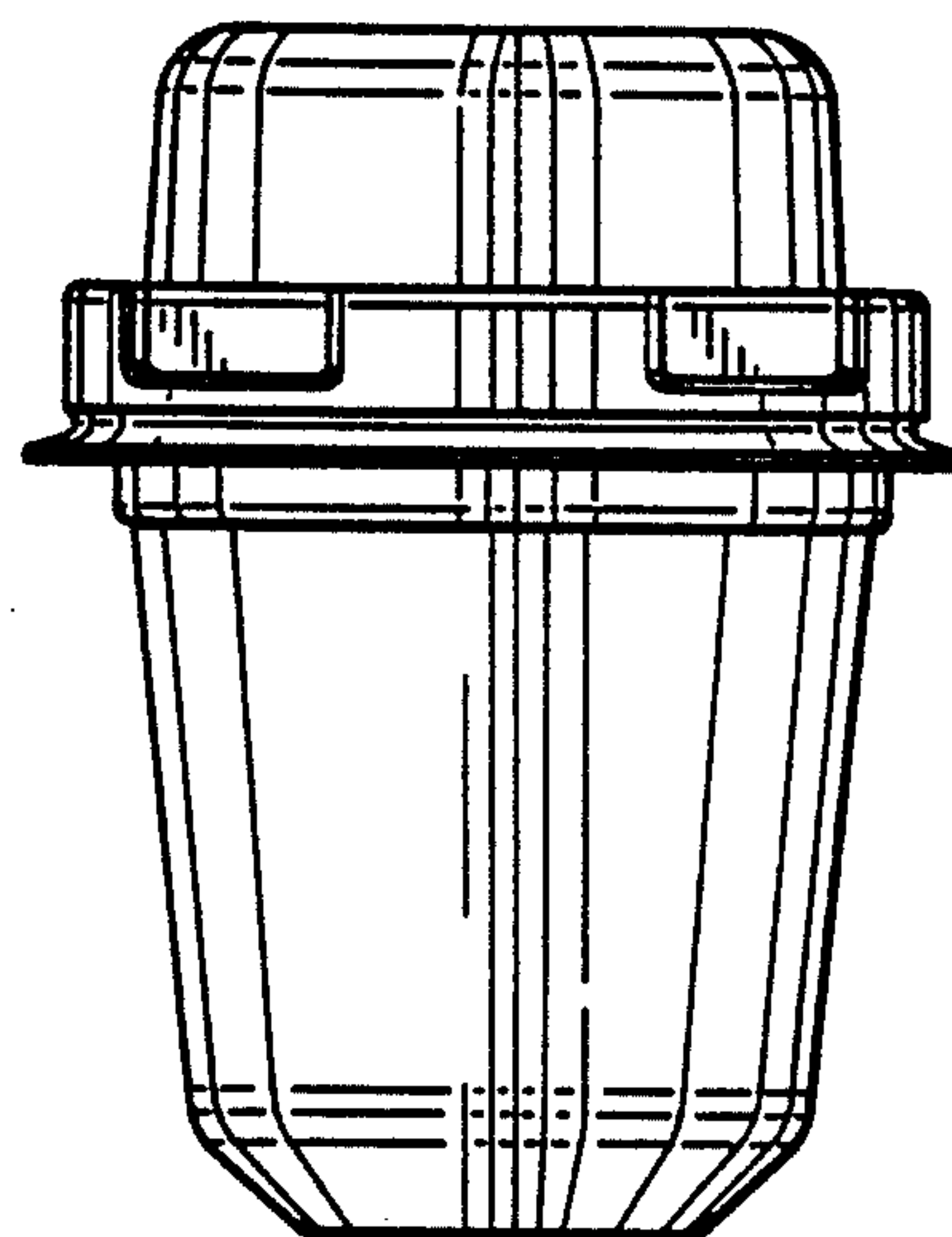
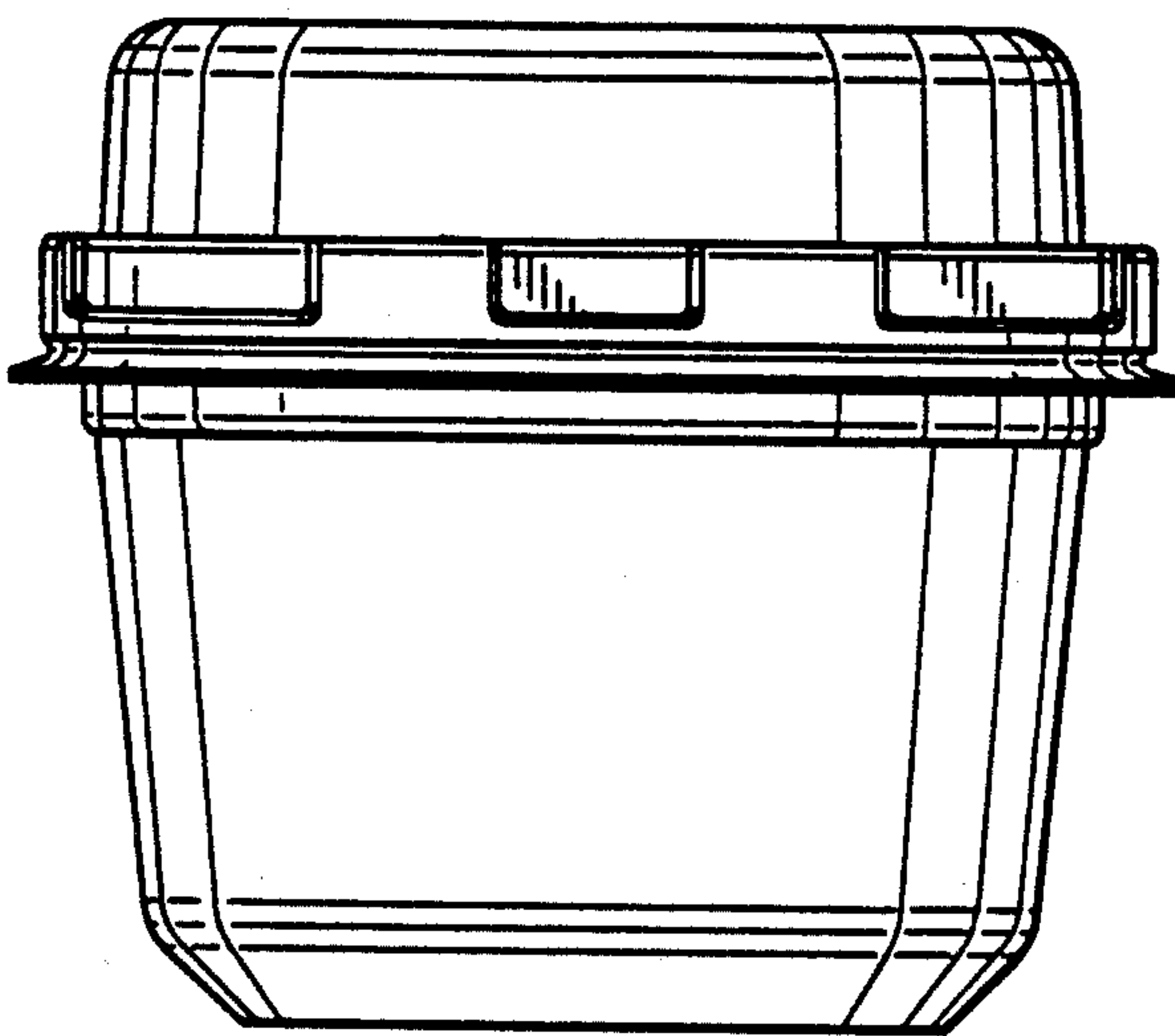
Primary Examiner—B. J. Bullock
Assistant Examiner—Sandra Morris
Attorney, Agent, or Firm—Fitch, Even, Tabin & Flannery

[57] **CLAIM**

The ornamental design for an packaging container, as shown and described.

DESCRIPTION

FIG. 1 is a front elevational view of a packaging container showing our new design, all sides being identical; FIG. 2 is a side elevational view thereof; FIG. 3 is a top plan view thereof; FIG. 4 is a bottom plan view thereof.



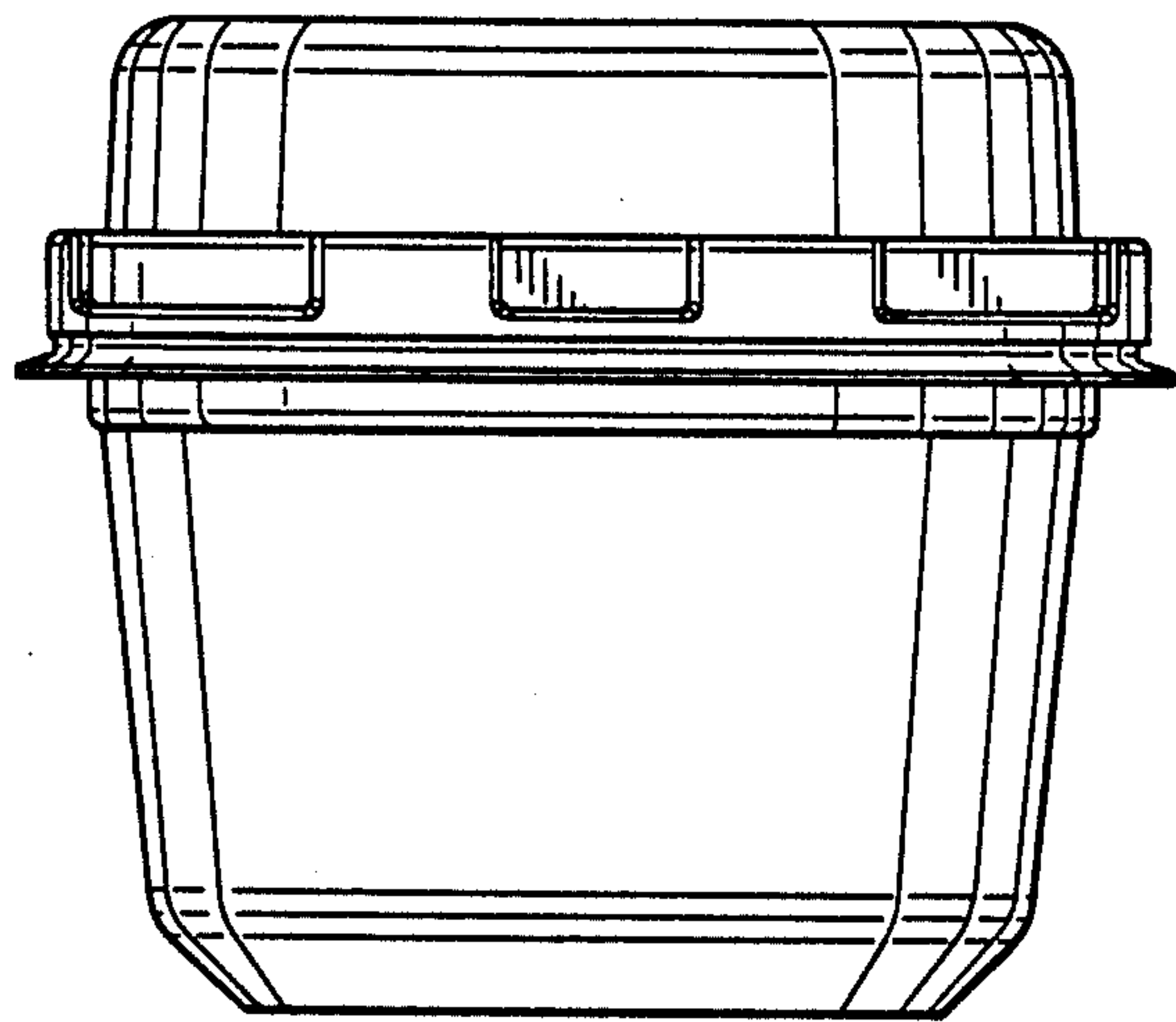


FIG. 1

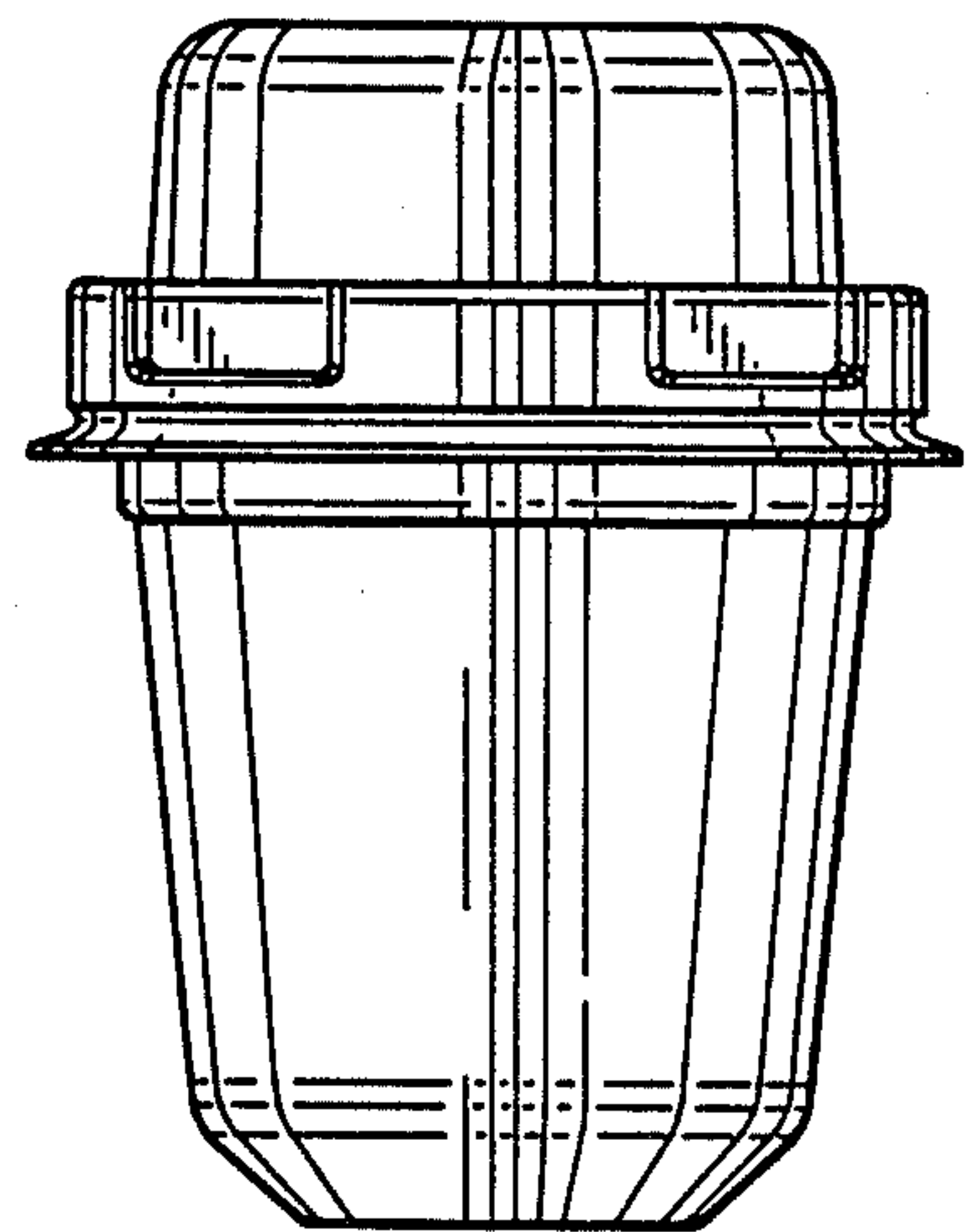


FIG. 2

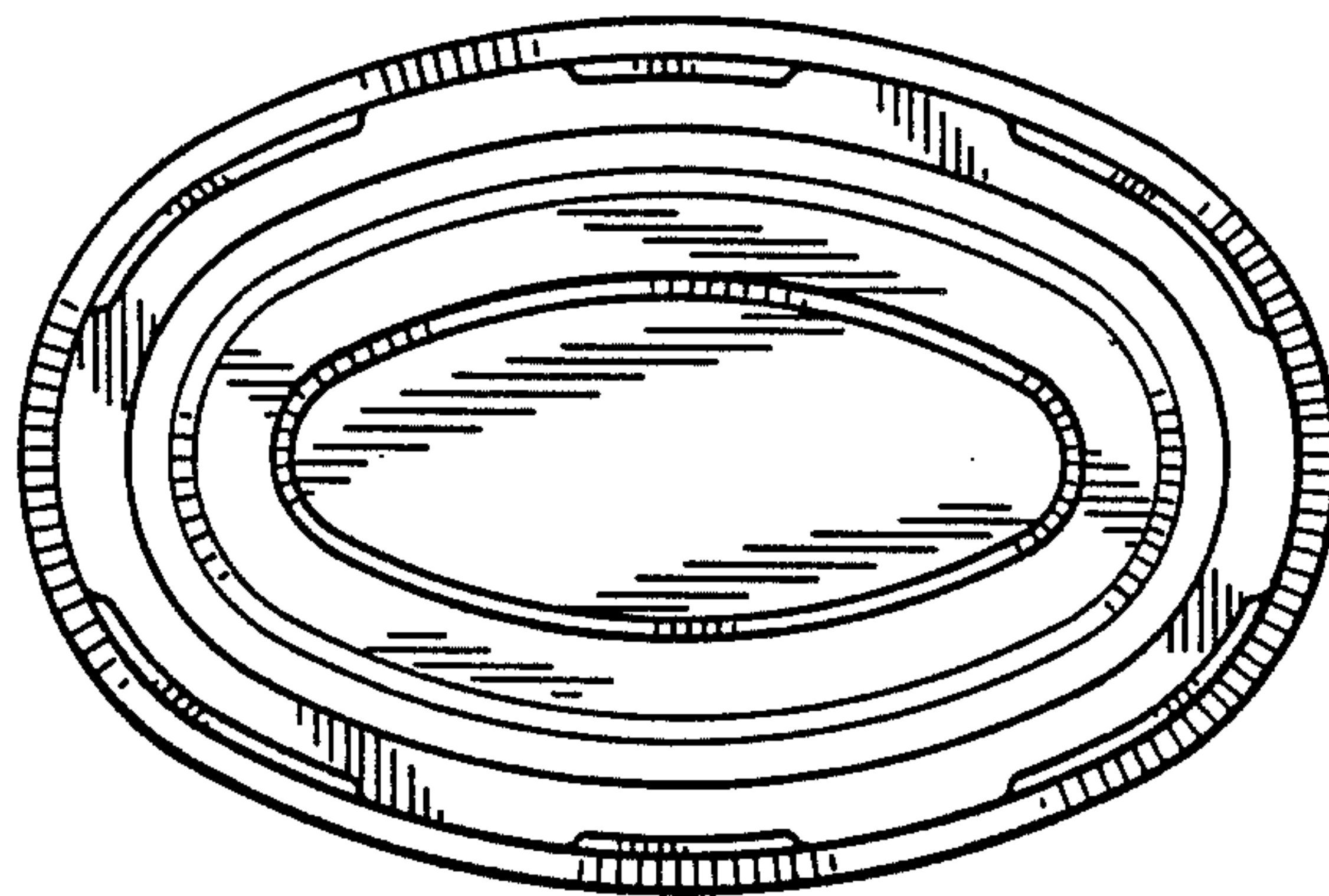


FIG. 3

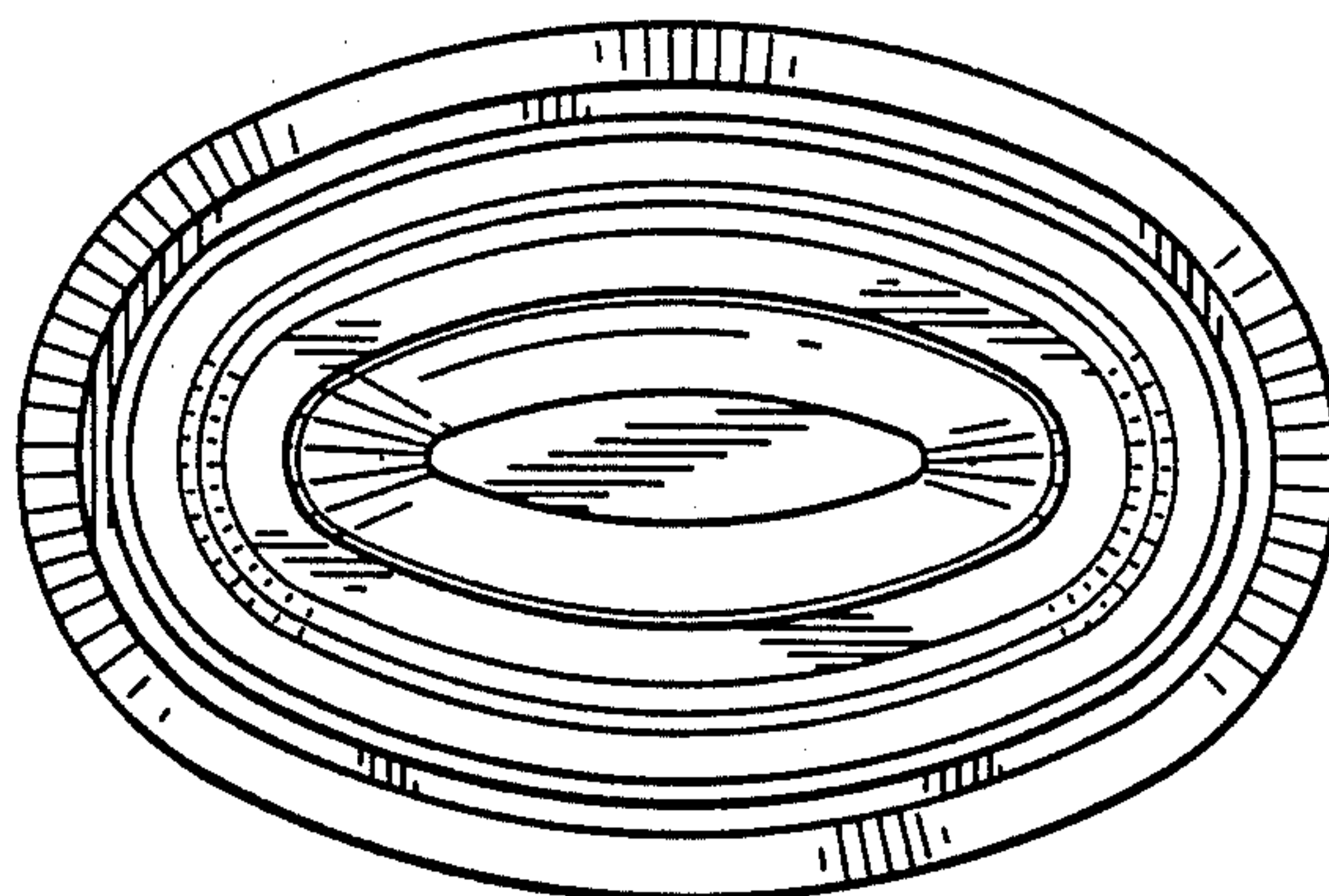


FIG. 4