

[54] **FOOD SERVICE TRAY**

[76] **Inventor: Kirk M. Sorensen, 8601 N. Zuni St., #169, Westminster, Colo. 80221**

[\*\*] **Term: 14 Years**

[21] **Appl. No.: 125,058**

[22] **Filed: Nov. 25, 1987**

[52] **U.S. Cl. .... D7/554**

[58] **Field of Search ..... D7/546, 550, 587, 555, D7/554, 504, 500, 541, 602; D9/341, 347, 425, 426, 346**

[56] **References Cited**

**U.S. PATENT DOCUMENTS**

D. 180,699 7/1957 Raymond ..... D9/425  
D. 193,071 6/1962 Chadbourne ..... D7/550 X

D. 219,645 1/1971 Rabe ..... D7/587 X  
D. 260,956 9/1981 Desmarais ..... D7/554  
4,055,670 10/1977 Belmont ..... D9/341 X

*Primary Examiner*—Winifred E. Herrmann

[57] **CLAIM**

The ornamental design for a food service tray, as shown and described.

**DESCRIPTION**

FIG. 1 is a top perspective view of a food service tray showing my new design;  
FIG. 2 is a top plan view thereof;  
FIG. 3 is an end elevational view thereof, with the opposite end thereof being identical;  
FIG. 4 is a side elevational view thereof, with the opposite side thereof being a mirror image thereof; and  
FIG. 5 is a bottom plan view thereof.

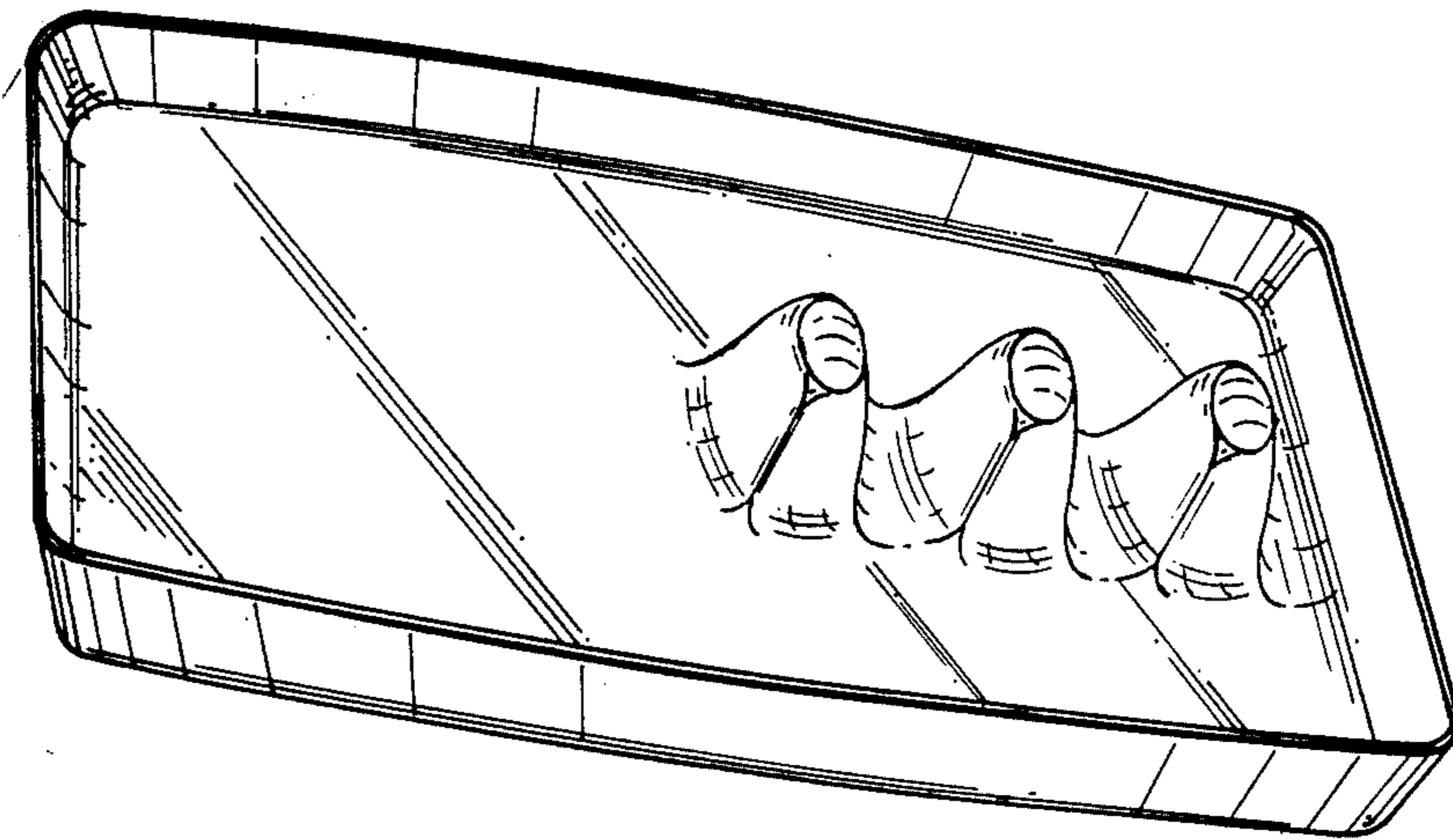


FIG. 1.

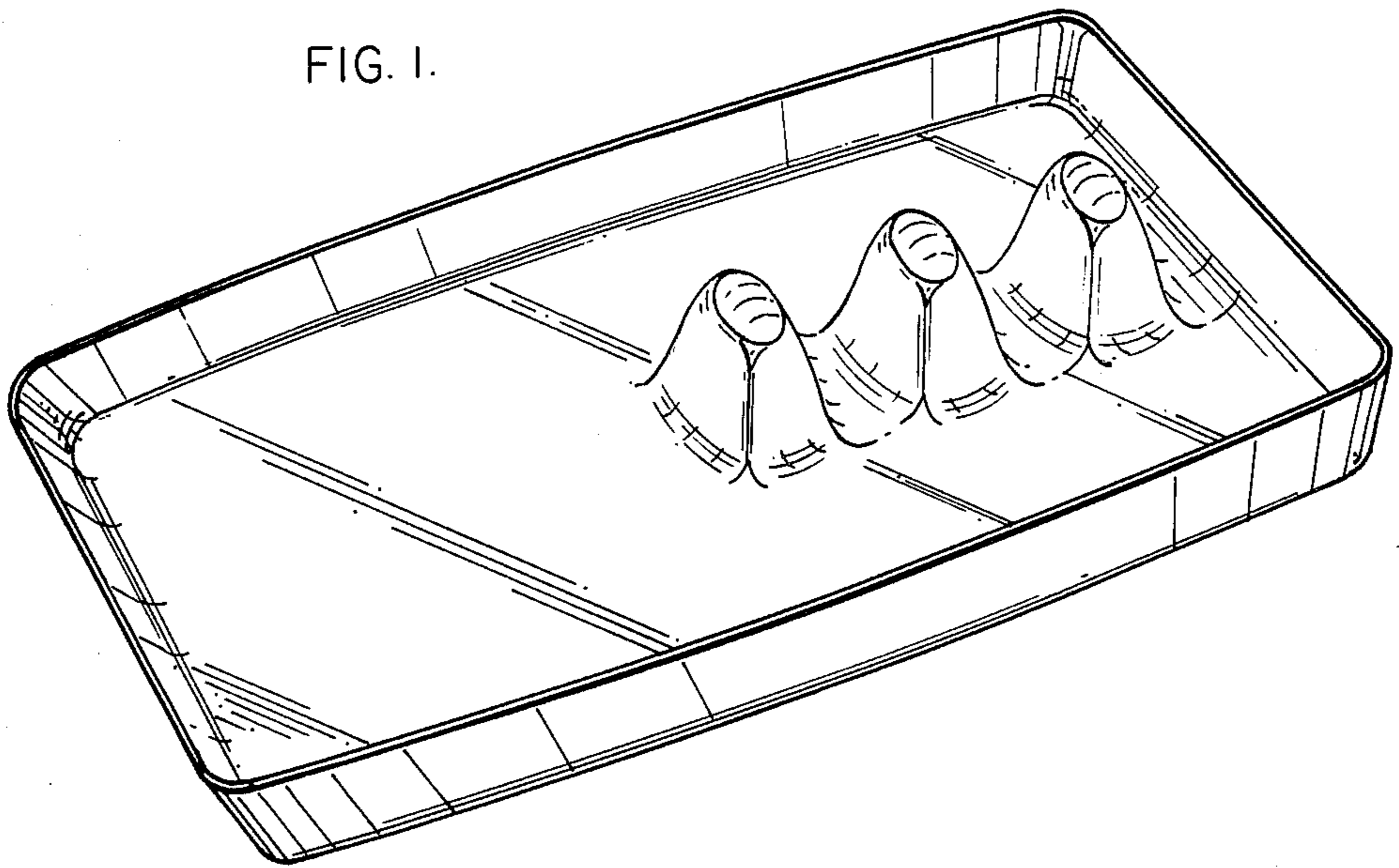


FIG. 2.

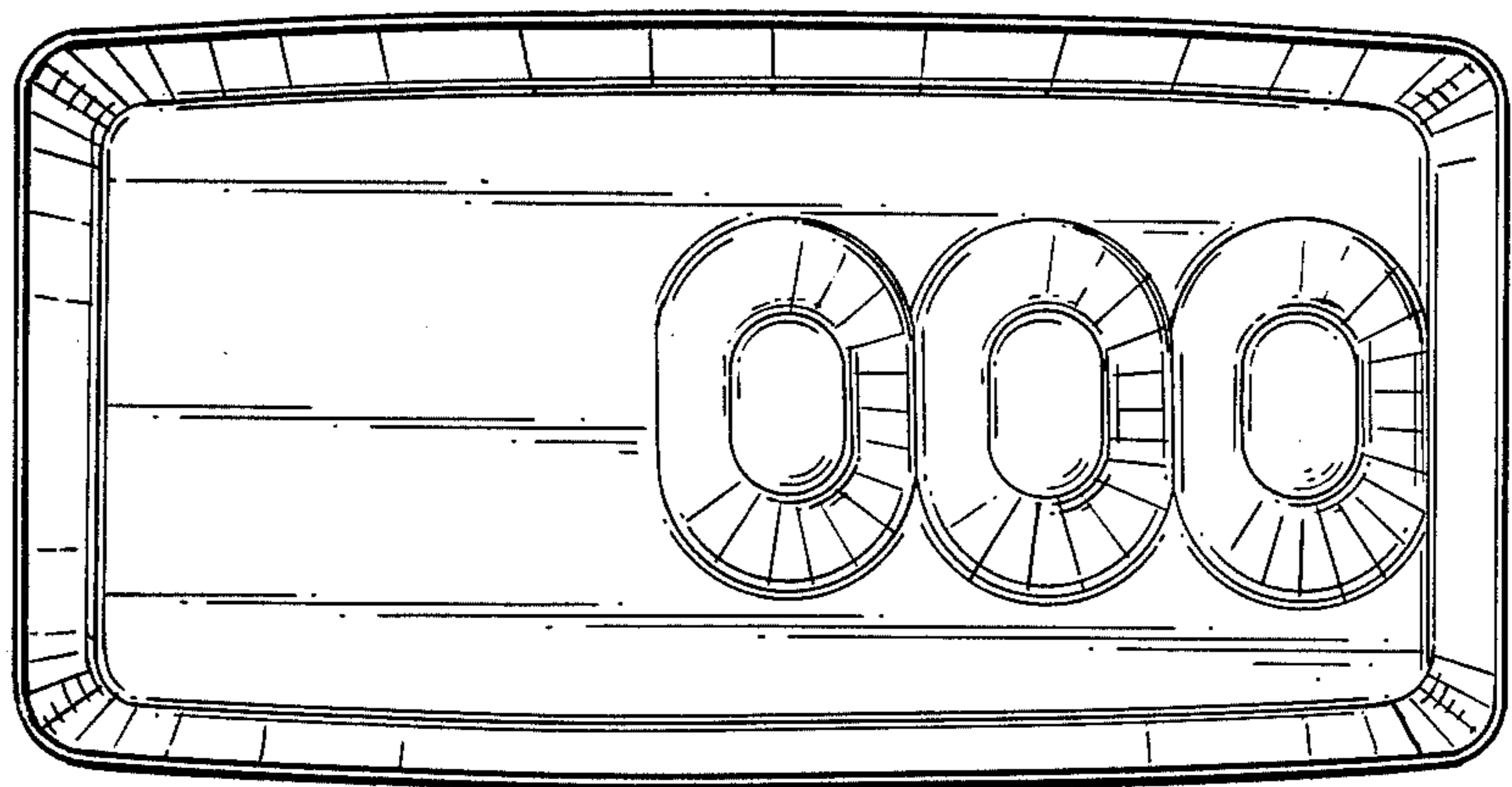


FIG. 3.

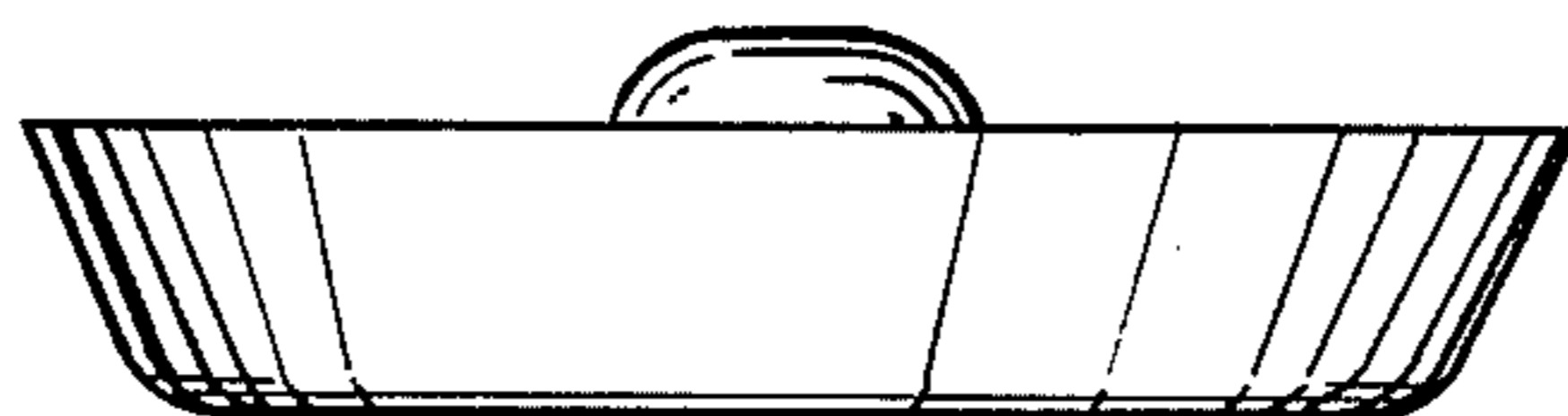


FIG. 4.



FIG. 5.

