

[54] **KEY BLANK**

[75] **Inventor:** Nigel Boag, Costa Mesa, Calif.
[73] **Assignee:** Masco Building Products Corp.,
Taylor, Mich.
[**] **Term:** 14 Years
[21] **Appl. No.:** 235,072
[22] **Filed:** Aug. 22, 1988
[52] **U.S. Cl.** D8/347
[58] **Field of Search** D8/347-348;
70/393, 402, 405, 407-408, 401

[56] **References Cited**

U.S. PATENT DOCUMENTS

D. 259,994	7/1981	Salcedo	D8/348
D. 272,516	2/1984	Ohno	D8/347
D. 274,302	6/1984	Widen	D8/347
D. 278,880	5/1985	Widen	D8/347
D. 283,978	5/1986	Mills	D8/347
D. 290,085	6/1987	Foshee	D8/347
4,498,327	2/1985	Preddey et al.	70/401

OTHER PUBLICATIONS

Iko-Unican Catalogue, #60-R (1984), p. 115, key blank for P-1555-Weiser (middle row, far right).

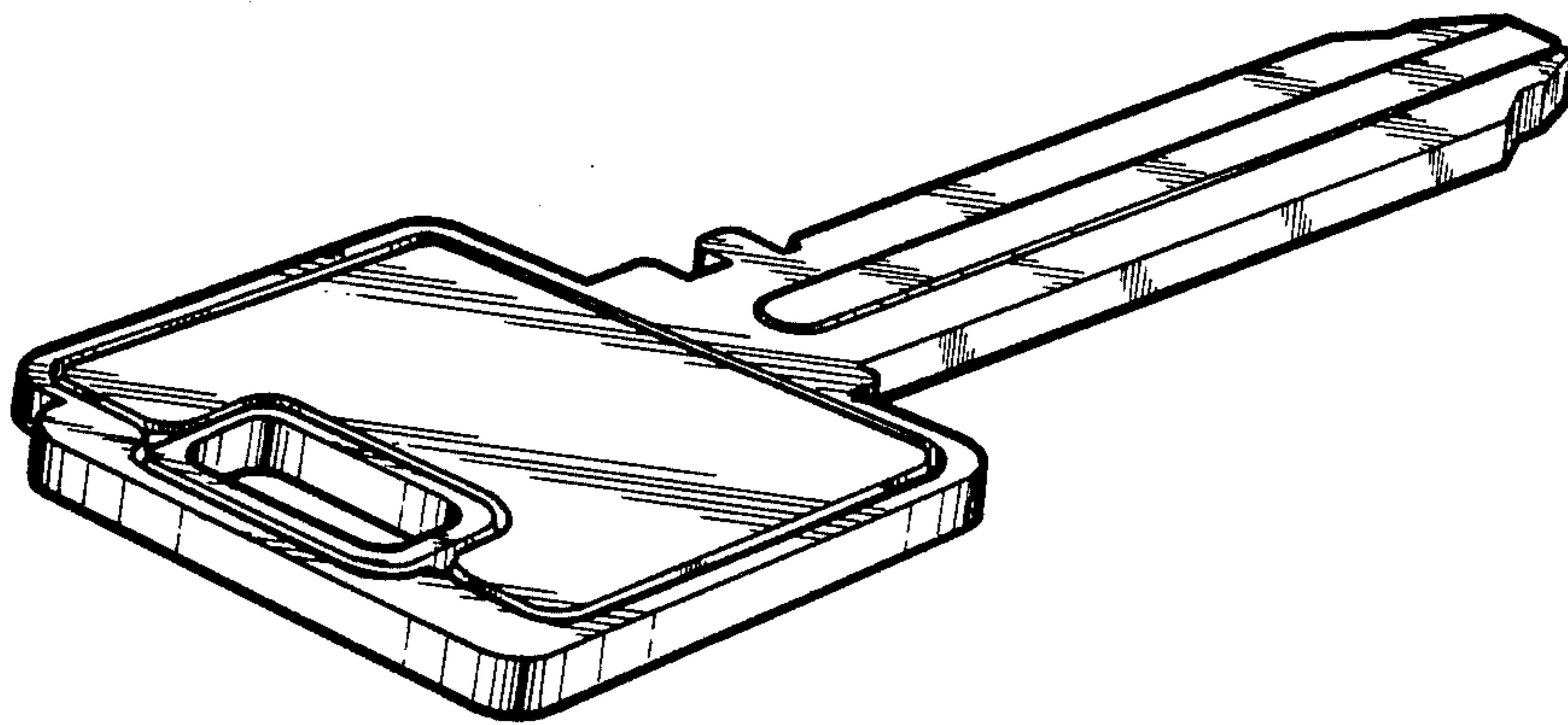
Primary Examiner—Wallace R. Burke
Assistant Examiner—Brian N. Vinson
Attorney, Agent, or Firm—Edgar A. Zarins; Malcolm L. Sutherland

[57] **CLAIM**

The ornamental design for a key blank, as shown and described.

DESCRIPTION

FIG. 1 is a perspective view of a key blank showing my new design;
FIG. 2 is a bottom plan view thereof;
FIG. 3 is a left side elevational view thereof;
FIG. 4 is a front end elevational view thereof;
FIG. 5 is a rear end elevational view thereof;
FIG. 6 is a top plan view thereof; and
FIG. 7 is a right side elevational view thereof.



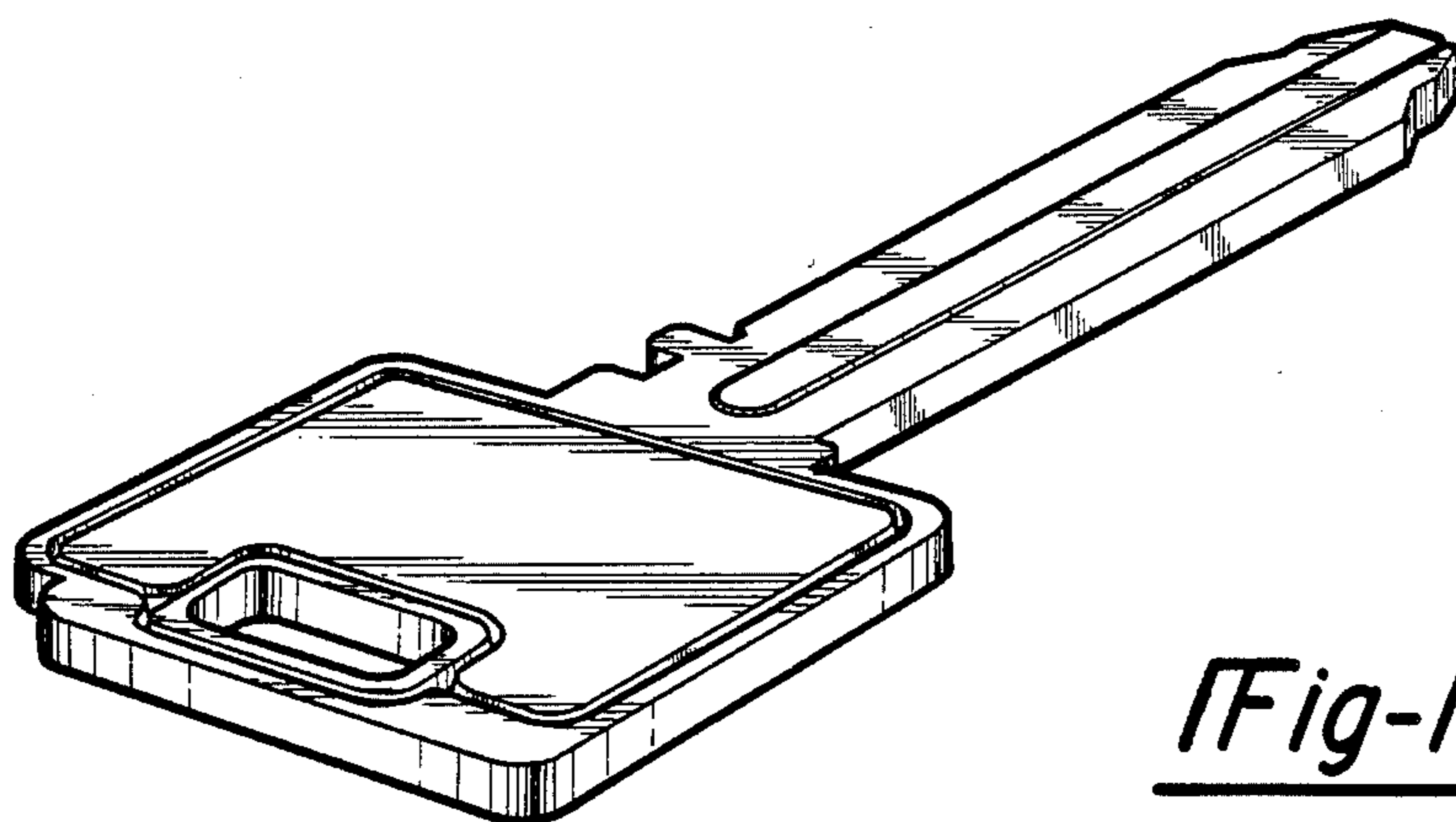


Fig-1



Fig-2

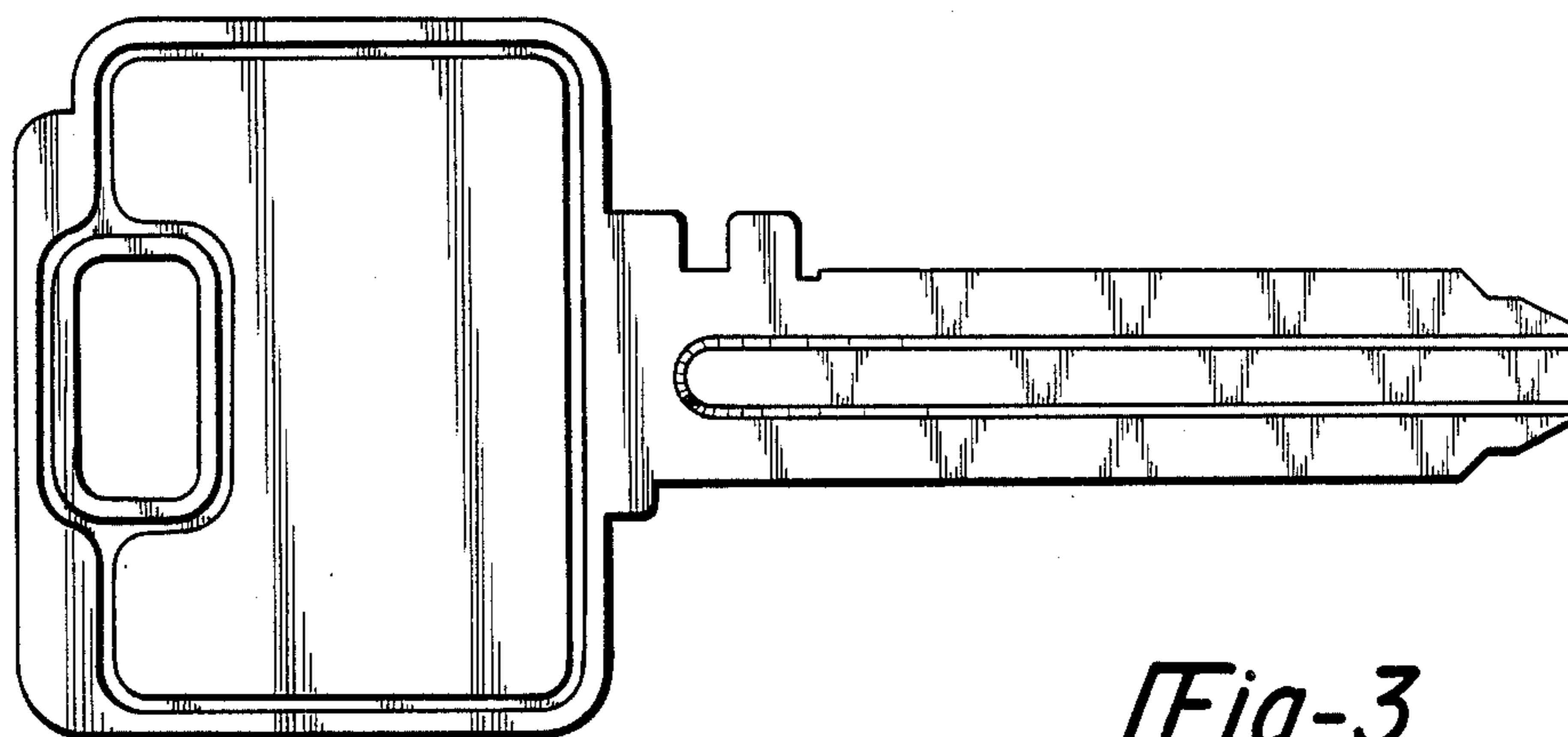


Fig-3



Fig-4

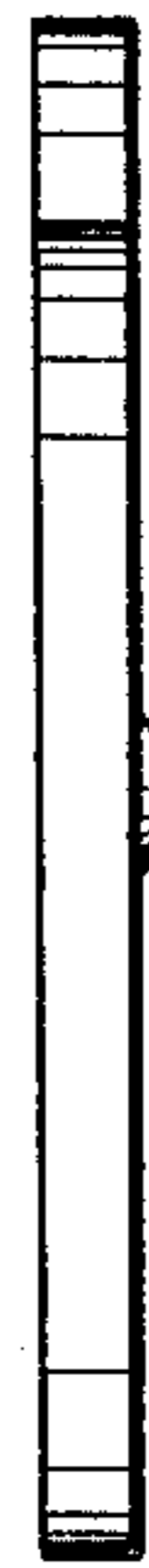


Fig-5



Fig-6

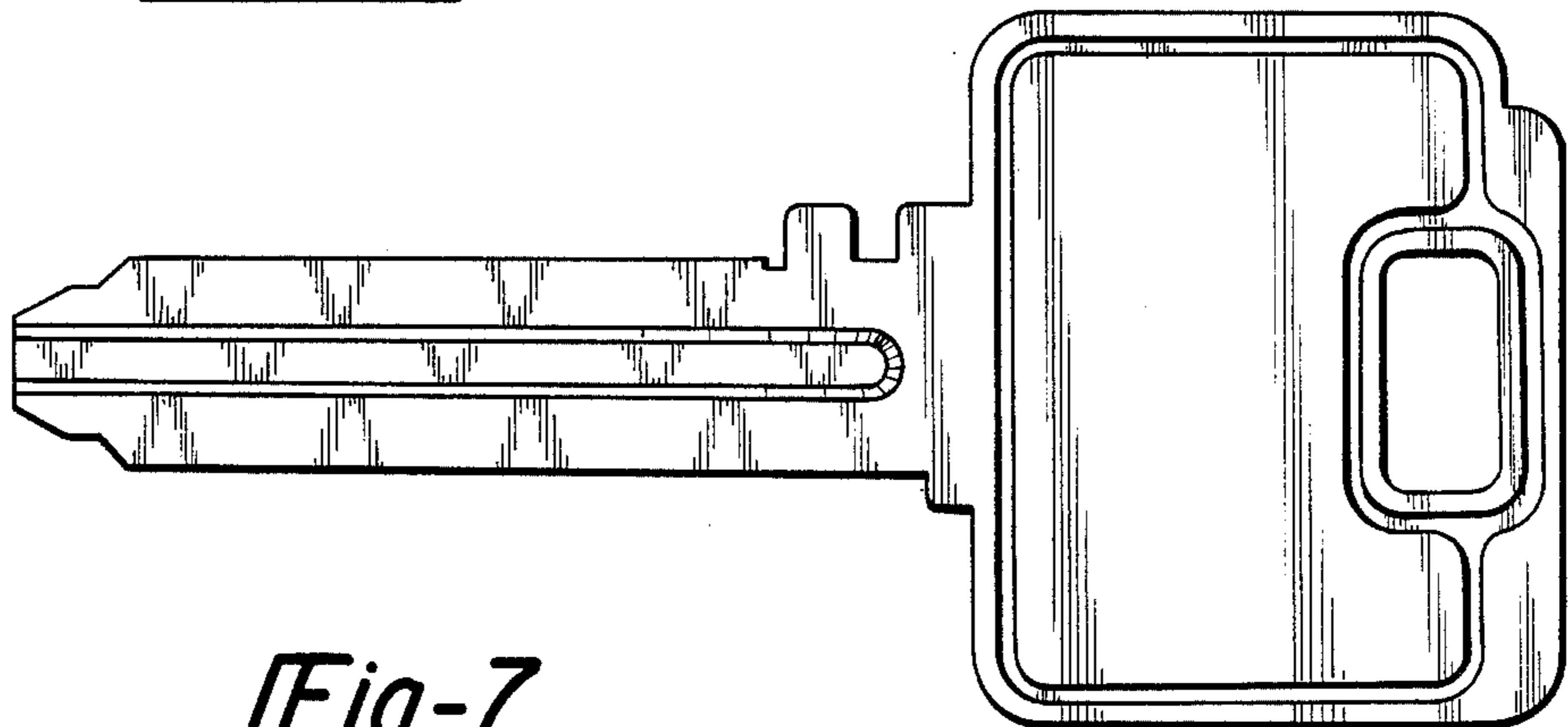


Fig-7