

[54] **GRASS TRIMMER**  
[75] **Inventor: Todd D. Ellis, Danbury, Conn.**  
[73] **Assignee: International Consumer Brands, Inc., Trumbull, Conn.**  
[\*\*] **Term: 14 Years**  
[21] **Appl. No.: 218,383**  
[22] **Filed: Jul. 12, 1988**  
[52] **U.S. Cl. .... D8/8**  
[58] **Field of Search ..... D8/7, 8; 30/276, 388, 30/390; 56/156-157, 198, 235, 239, 294, 95, DIG. 20**

D. 301,009 5/1989 Pilatowicz et al. .... D8/8  
4,054,992 10/1977 Balass et al. .... 30/276

*Primary Examiner*—Susan J. Lucas  
*Assistant Examiner*—Brian N. Vinson  
*Attorney, Agent, or Firm*—Kramer, Brufsky & Cifelli

[57] **CLAIM**

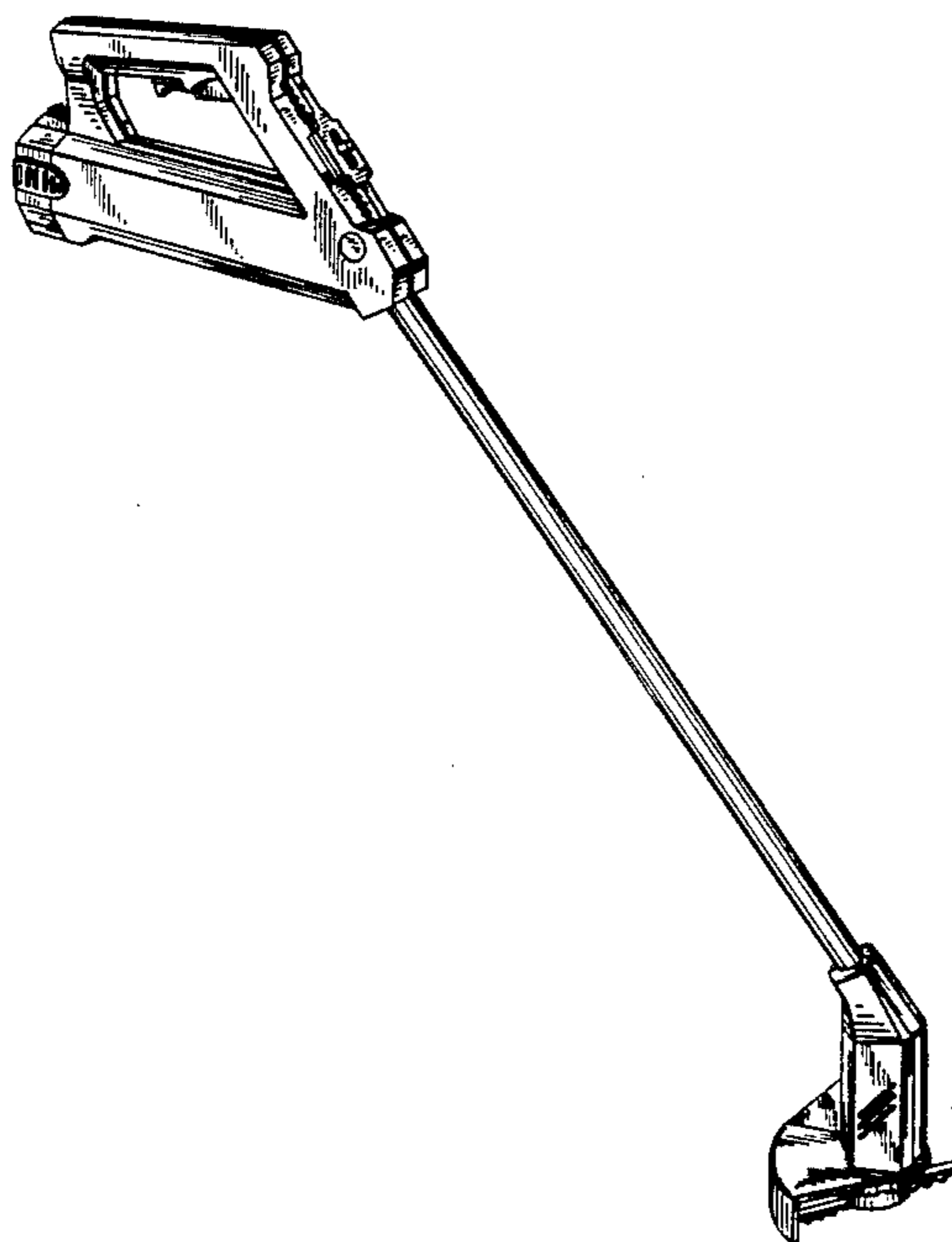
The ornamental design for a grass trimmer, as shown.

**DESCRIPTION**

FIG. 1 is a perspective view of a grass trimmer showing my new design;  
FIG. 2 is an enlarged right side elevational view thereof, the left side being a mirror image of that shown;  
FIG. 3 is an enlarged front elevational view thereof;  
FIG. 4 is an enlarged rear elevational view thereof;  
FIG. 5 is an enlarged top plan view thereof; and  
FIG. 6 is an enlarged bottom plan view thereof.  
The shaft portion in FIGS. 2-6 is shown broken-away for convenience of illustration.

[56] **References Cited**  
**U.S. PATENT DOCUMENTS**

D. 251,699 5/1979 Averitt ..... D8/8  
D. 251,958 5/1979 Averitt ..... D8/8  
D. 255,764 7/1980 Lombard ..... D8/8



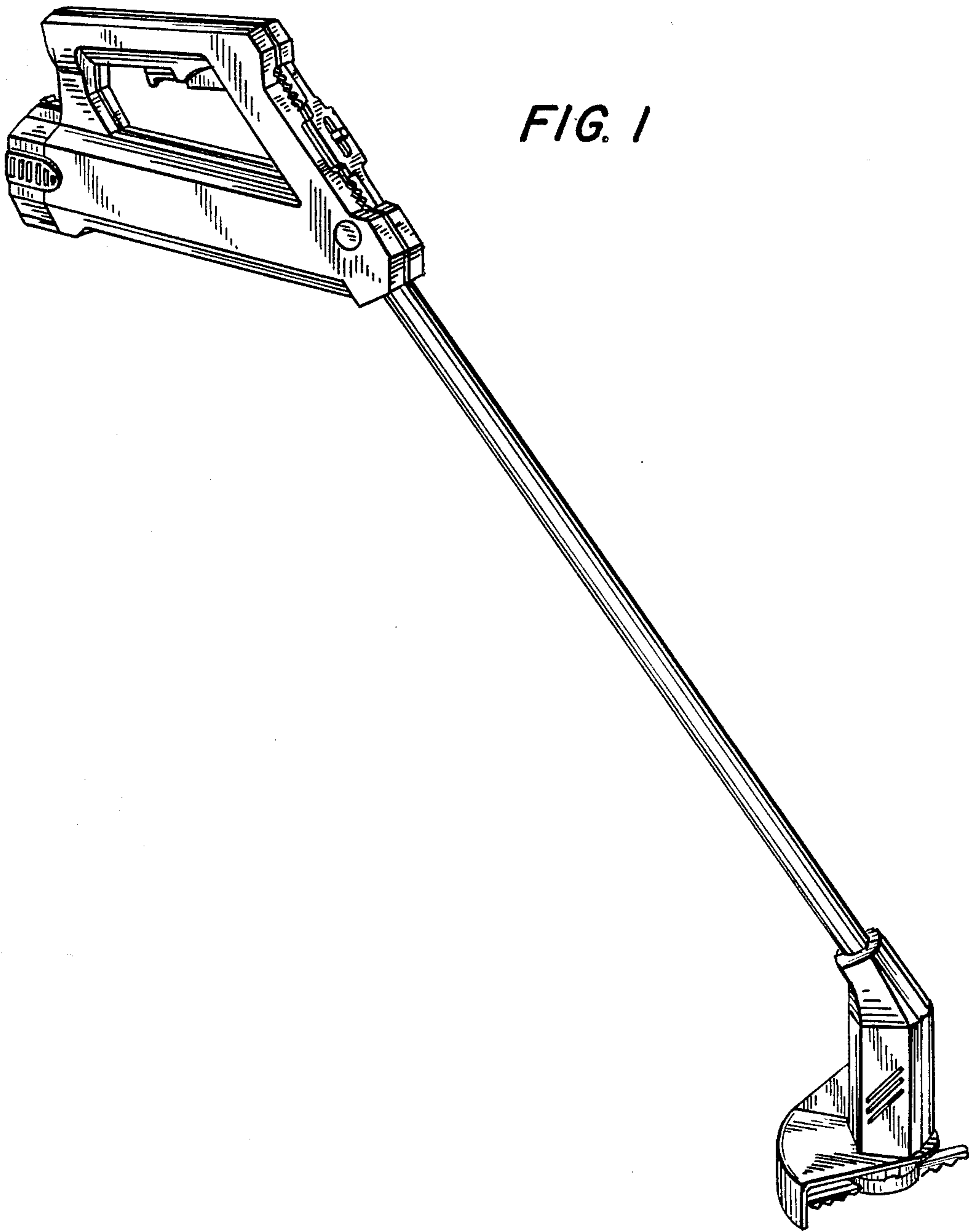


FIG. 1

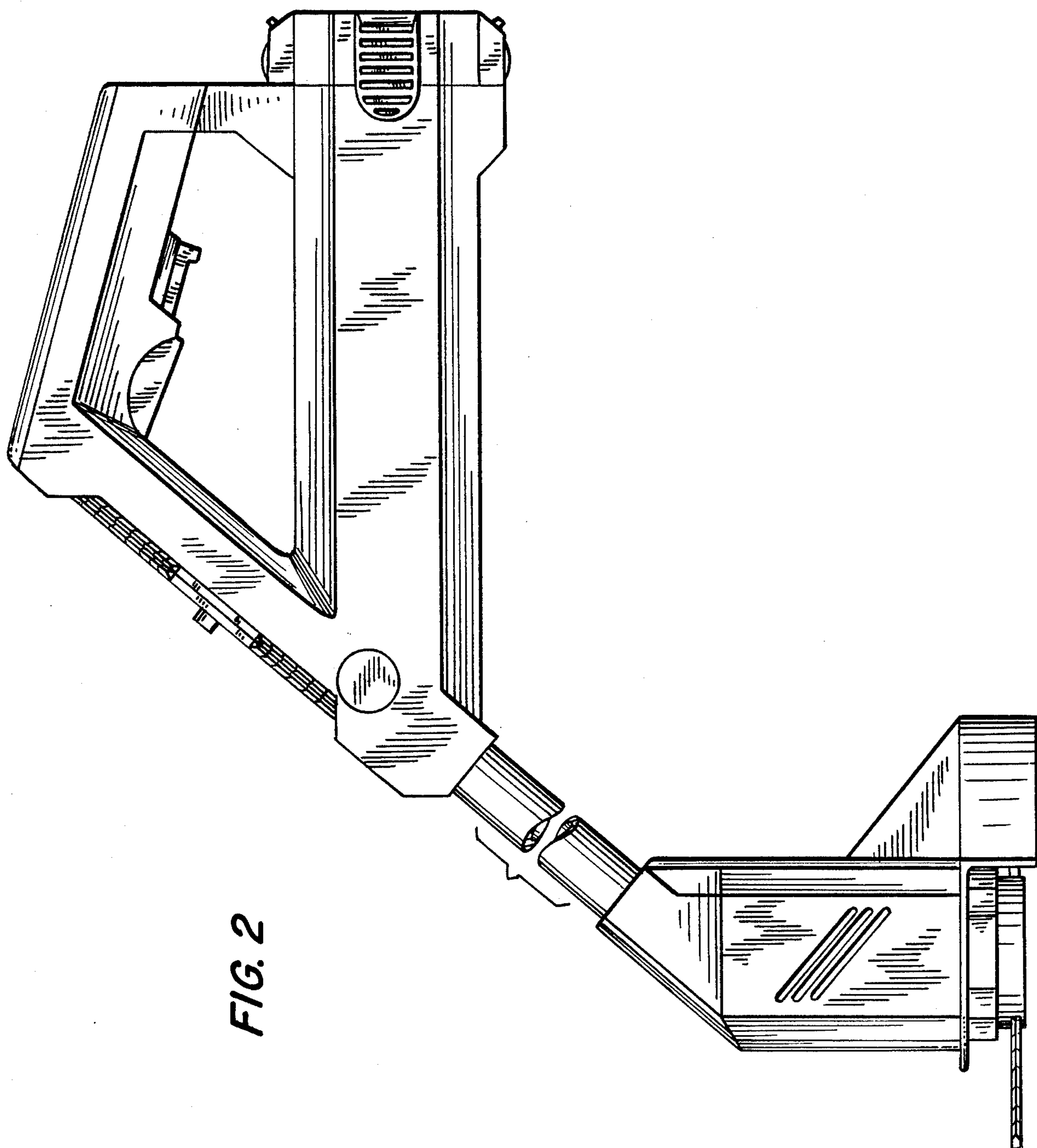


FIG. 2

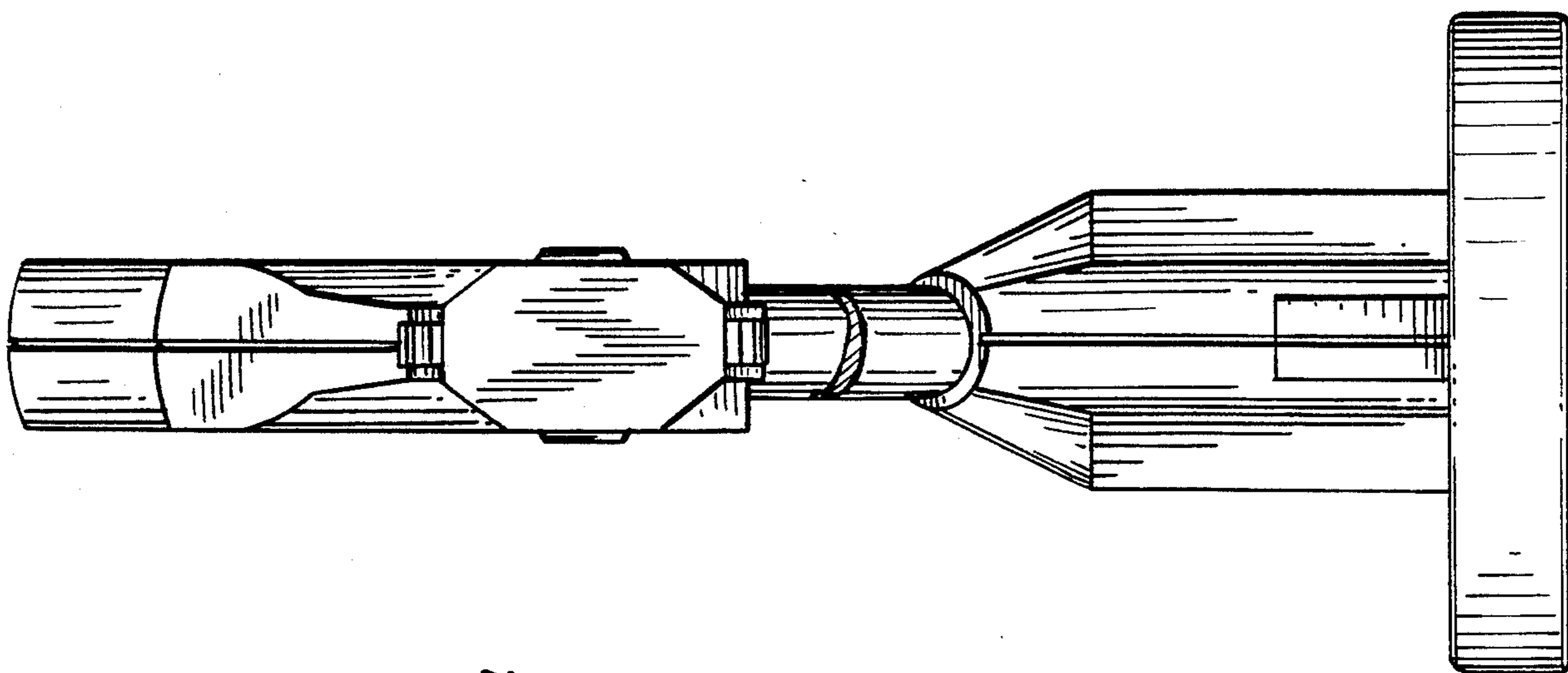


FIG. 4

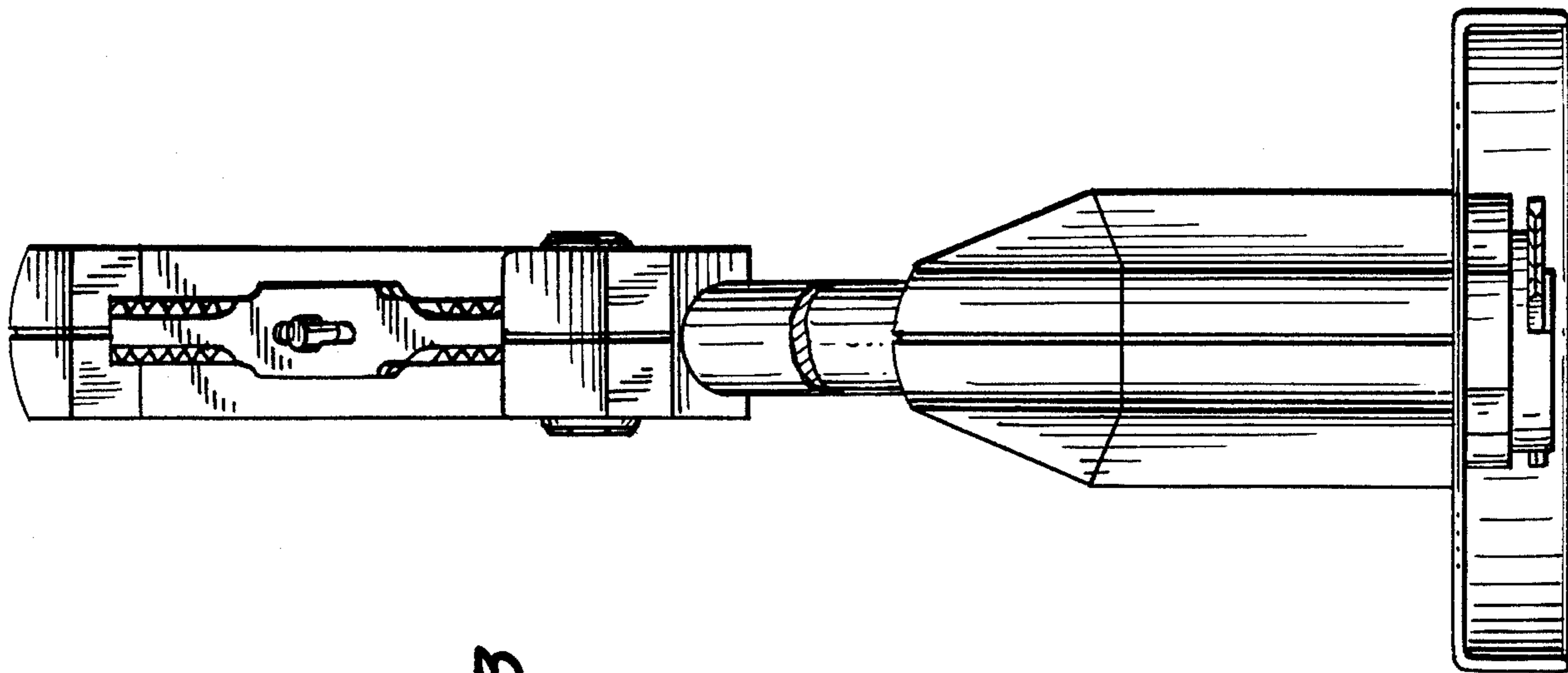


FIG. 3

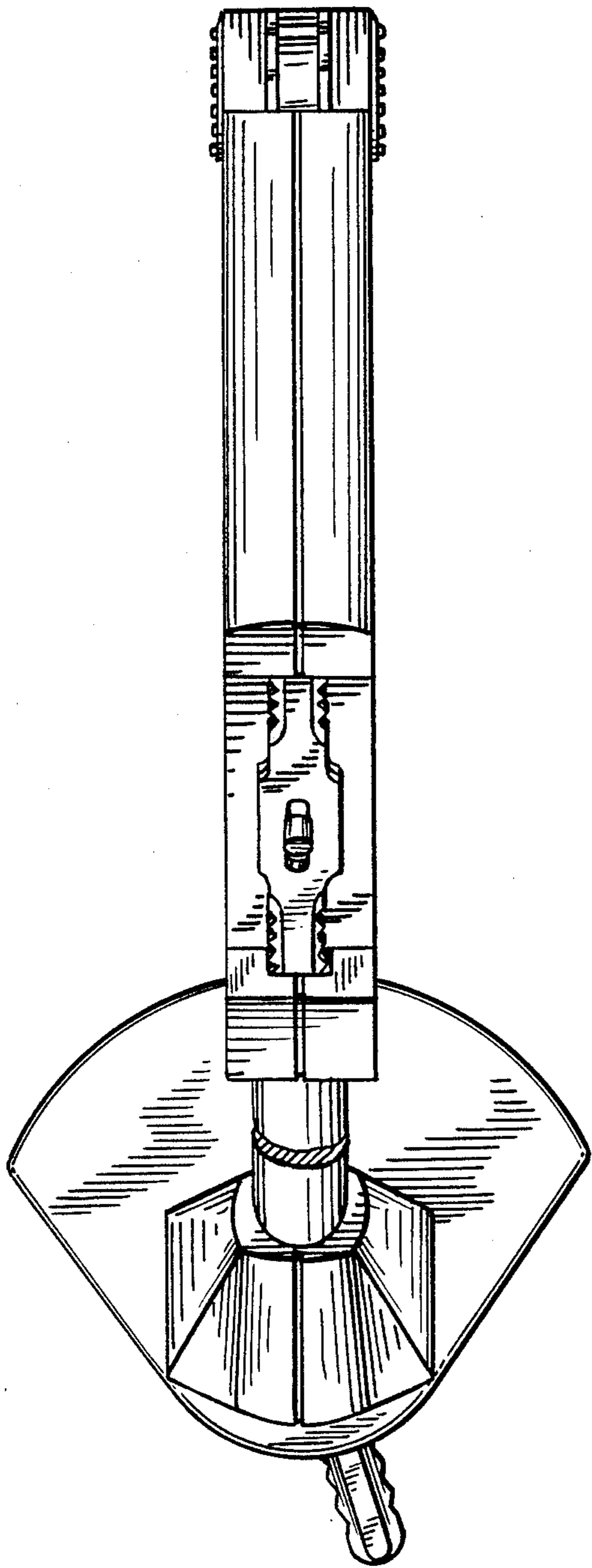


FIG. 5

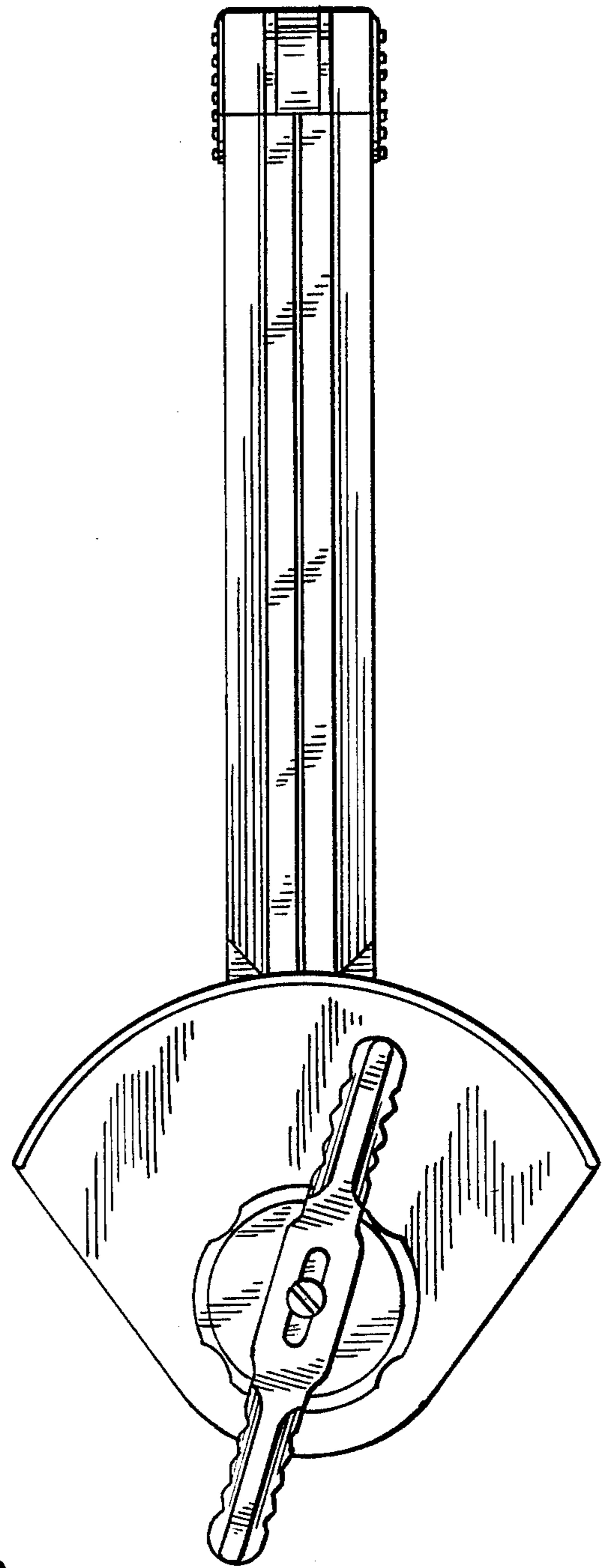


FIG. 6