

[54] **FLOATING COOLER CHEST**

[76] **Inventors: Kenneth E. Doucette, 5431 Barber Loop, Baytown, Tex. 77580; Chris W. Jennings, 810 Bayview Dr., Baytown, Tex. 77520**

[**] **Term: 14 Years**

[21] **Appl. No.: 189,961**

[22] **Filed: May 3, 1988**

[52] **U.S. Cl. D7/605**

[58] **Field of Search D7/77; D21/236, 237; 441/32, 136; 206/522; 62/457.1, 457.7, 371**

[56] **References Cited**

U.S. PATENT DOCUMENTS

- D. 272,506 2/1984 Steiner D7/70
- D. 290,674 7/1987 Valov D7/71
- D. 294,571 3/1988 Sabin et al. D21/236 X

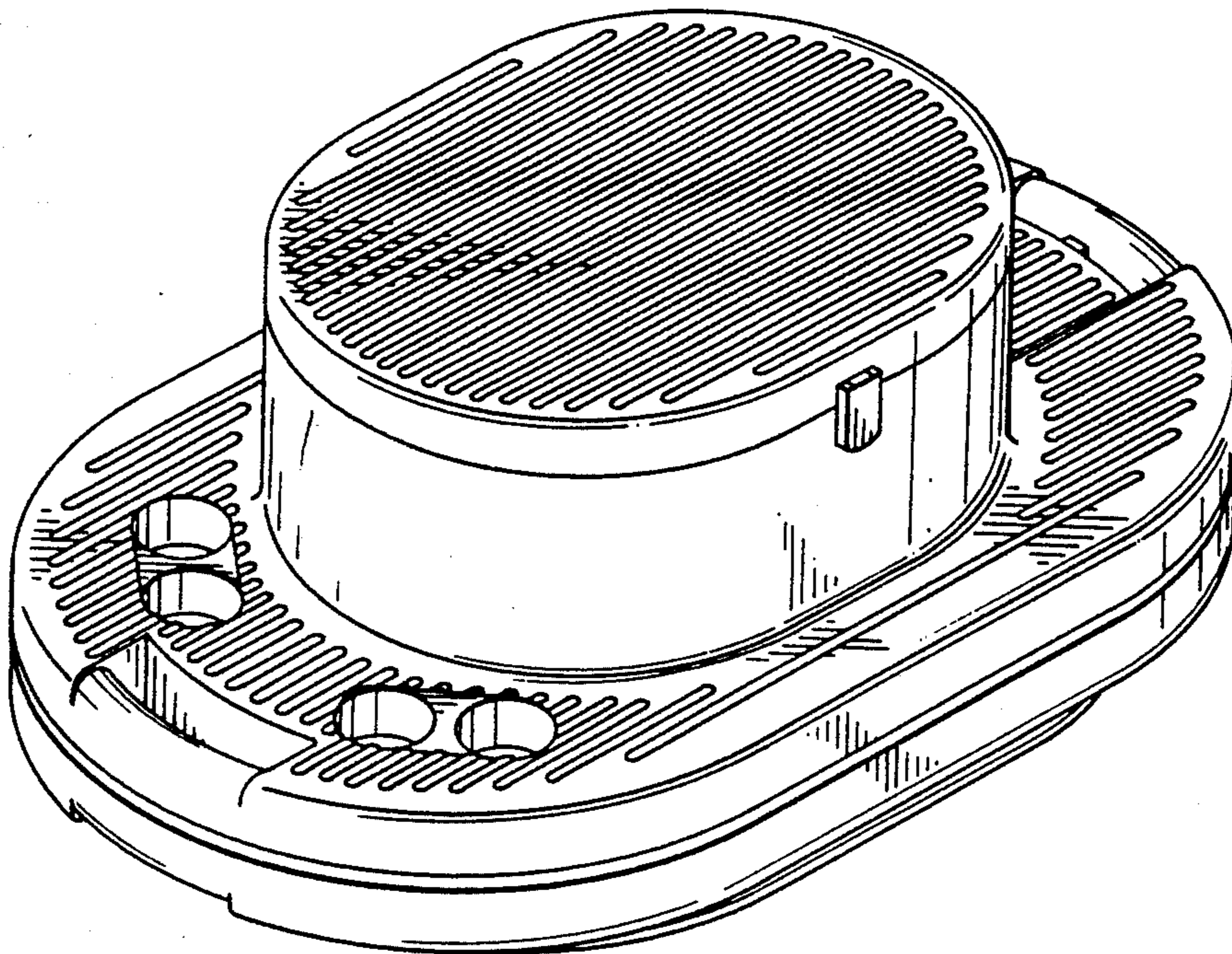
Primary Examiner—Charles A. Rademaker
Assistant Examiner—Terry A. Pfeffer
Attorney, Agent, or Firm—Matthews & Associates

[57] **CLAIM**

The ornamental design for a floating cooler chest, as shown and described.

DESCRIPTION

FIG. 1 is a top perspective view of a floating cooler chest showing our new design;
 FIG. 2 is a top plan view thereof;
 FIG. 3 is a right side elevational view thereof;
 FIG. 4 is a sectional view taken along line 4—4 of FIG. 3;
 FIG. 5 is a rear elevational view thereof;
 FIG. 6 is a sectional view taken along line 6—6 of FIG. 5;
 FIG. 7 is a perspective view thereof in an open position;
 and
 FIG. 8 is a bottom plan view thereof.



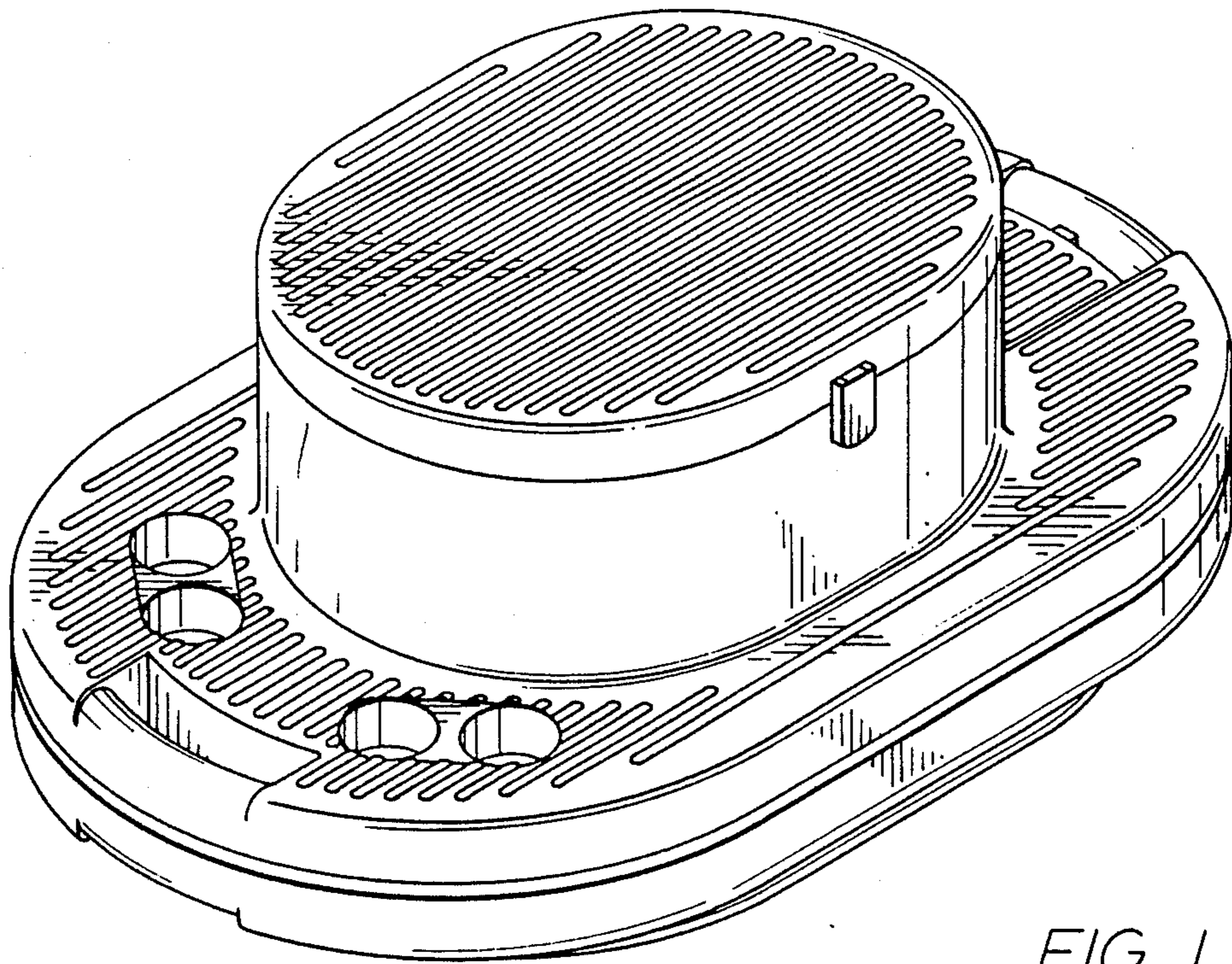


FIG. 1

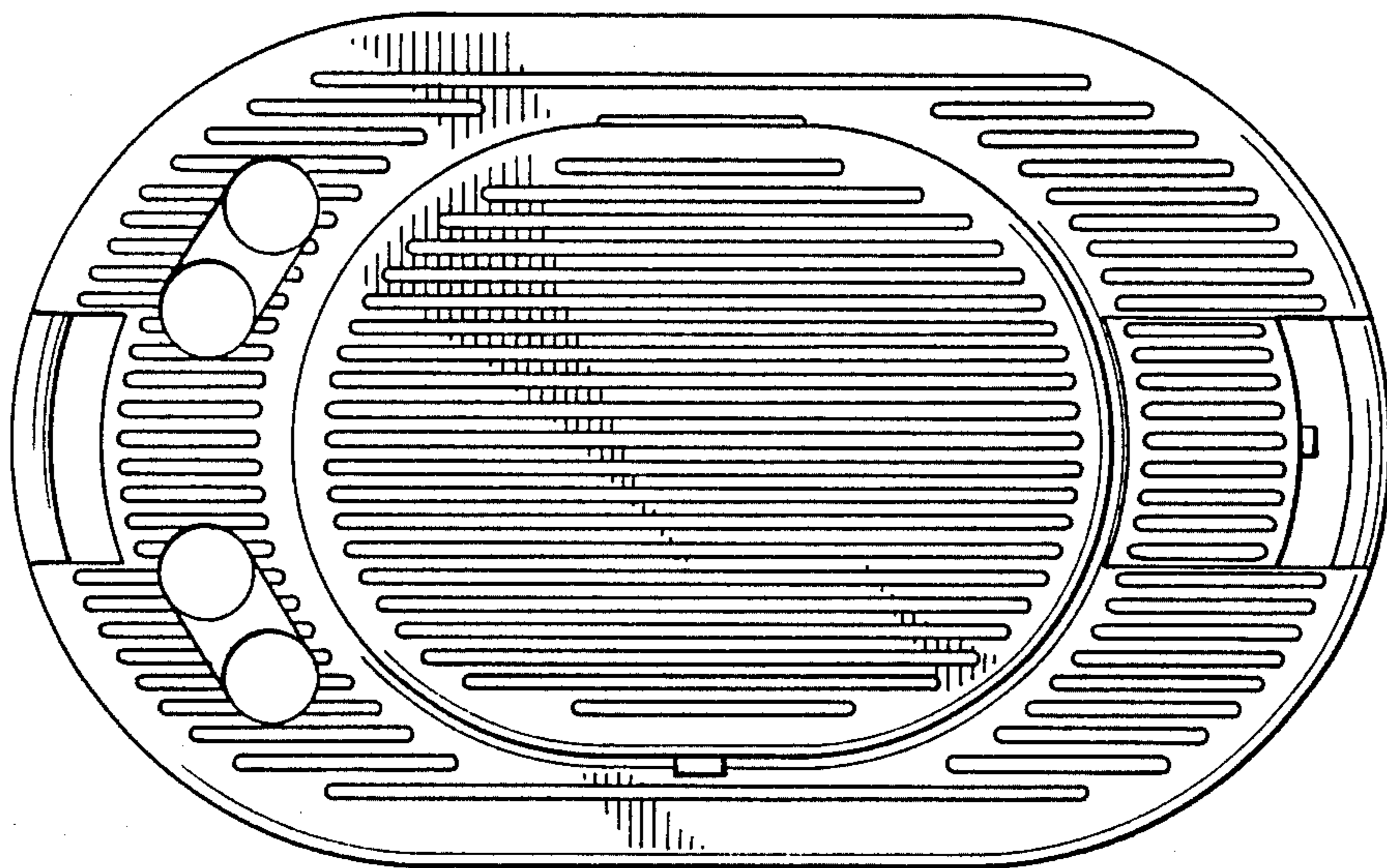


FIG. 2

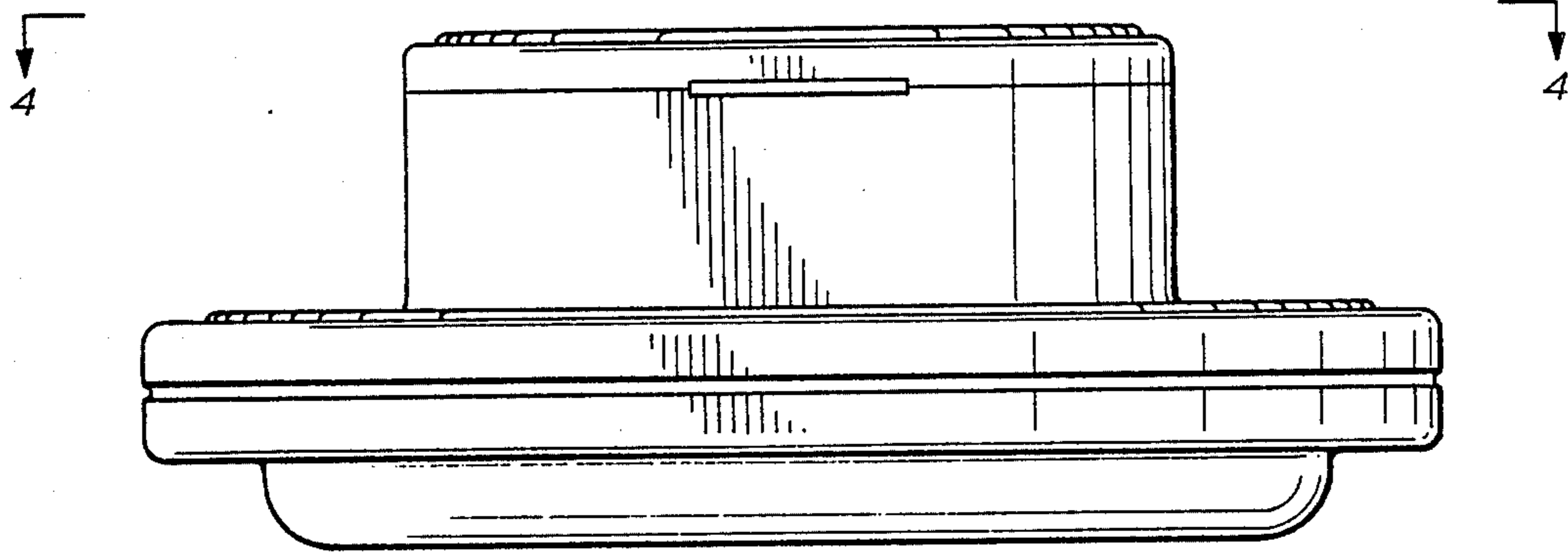


FIG. 3

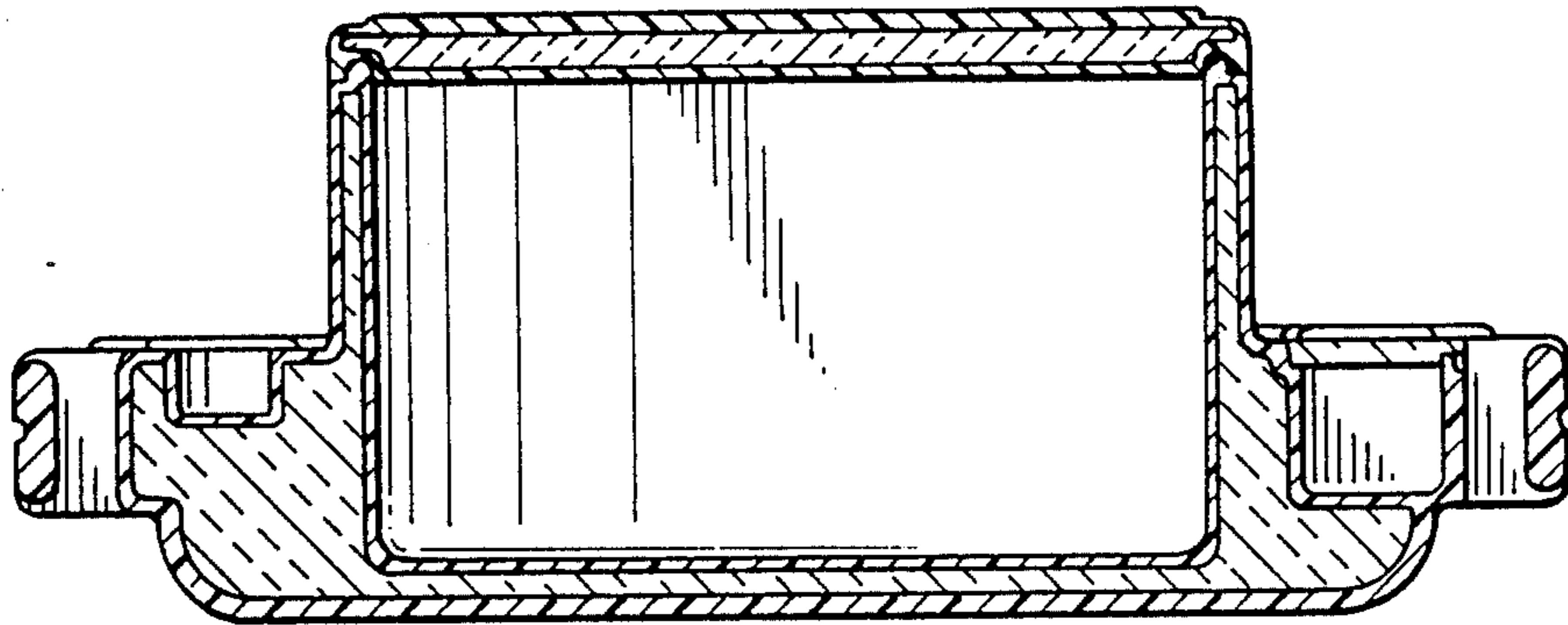


FIG. 4

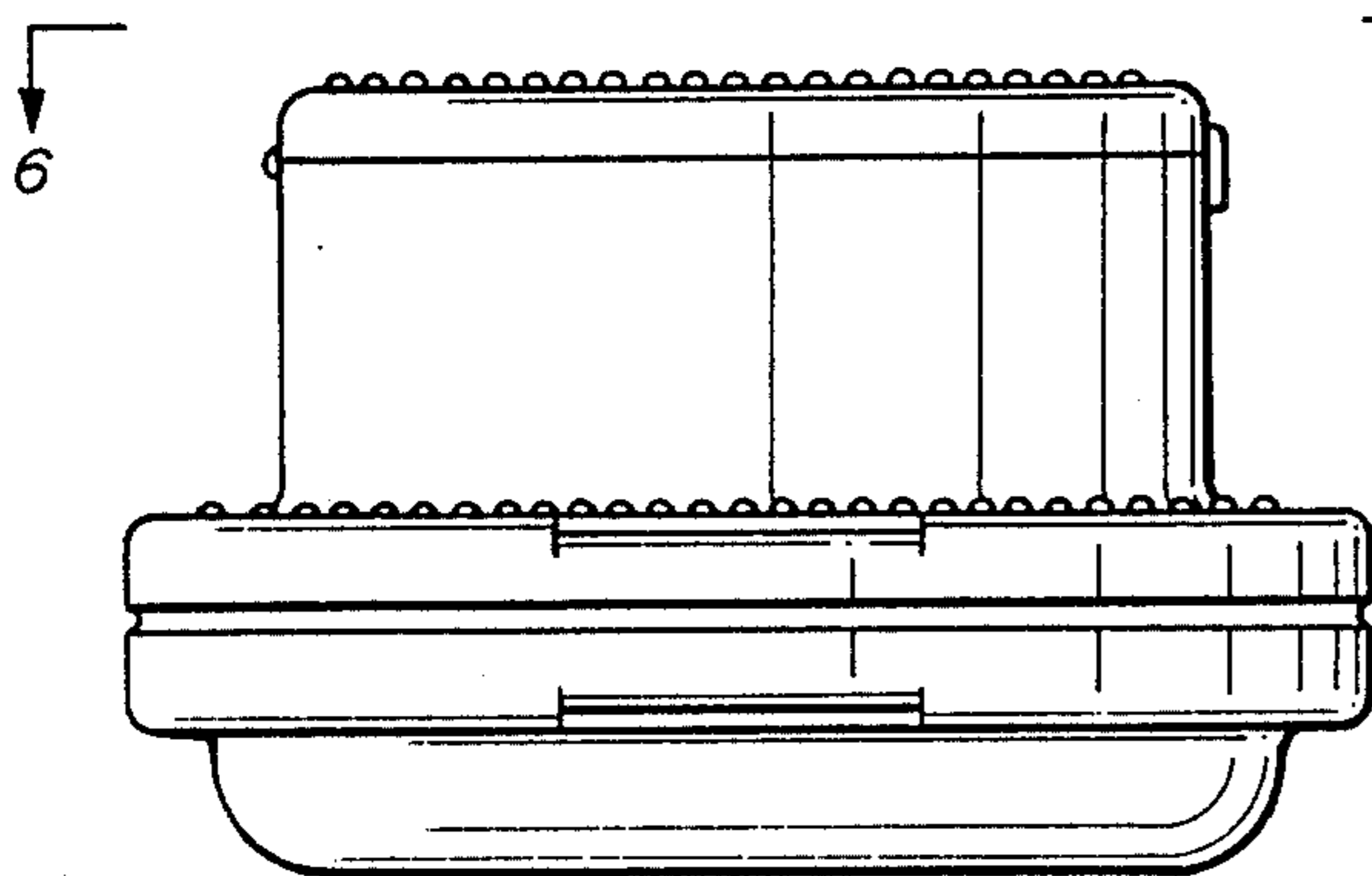


FIG. 5

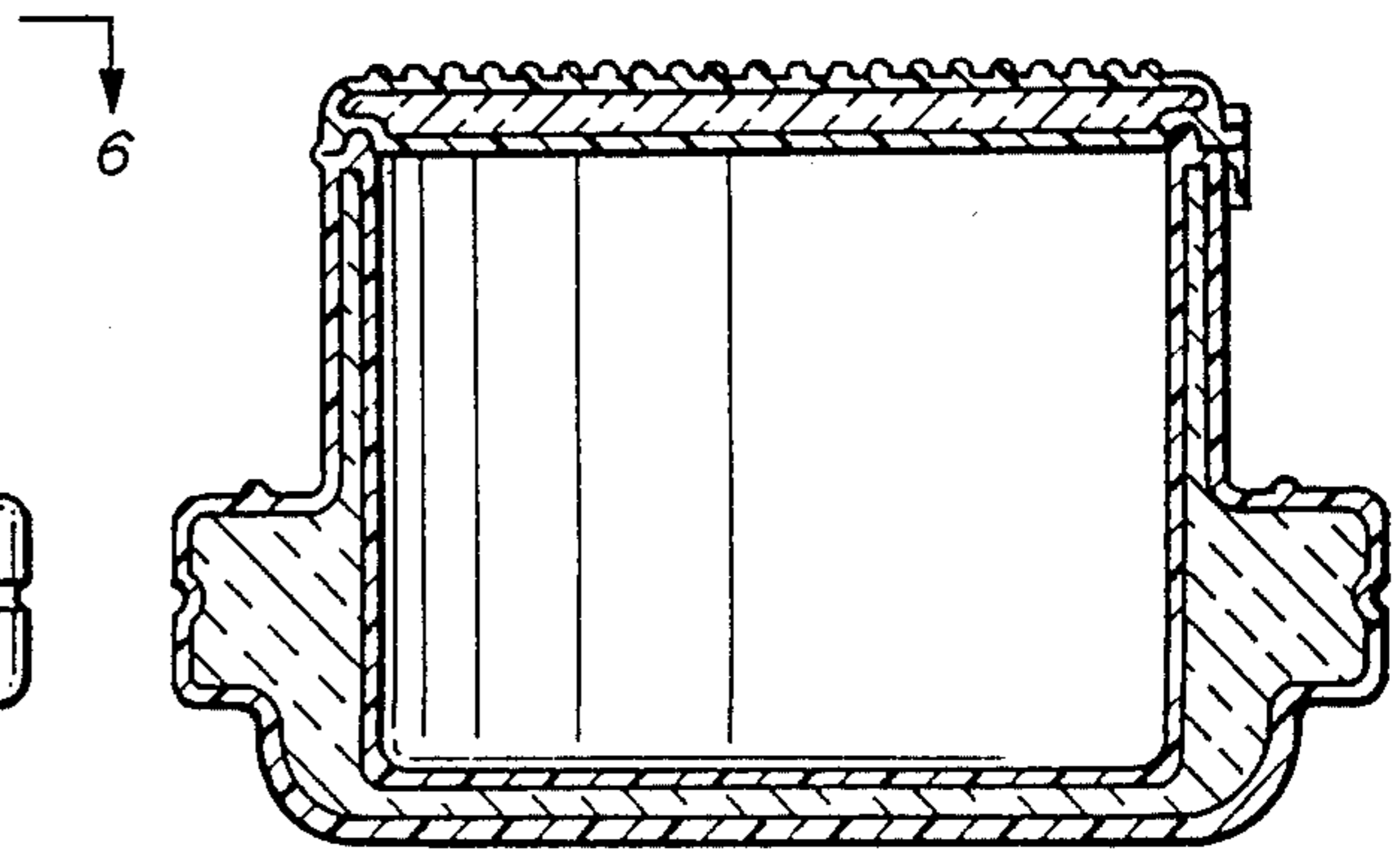


FIG. 6

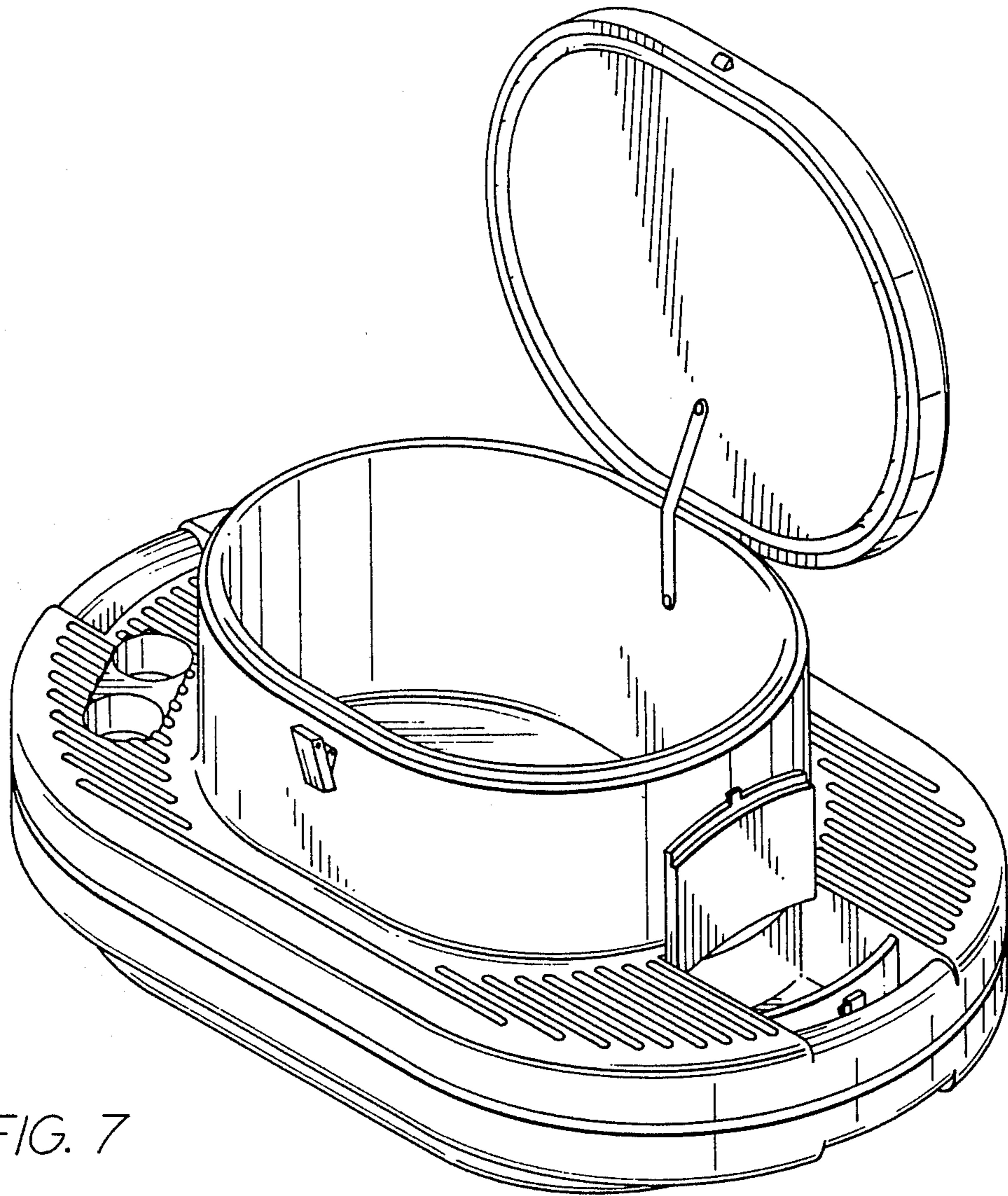


FIG. 7

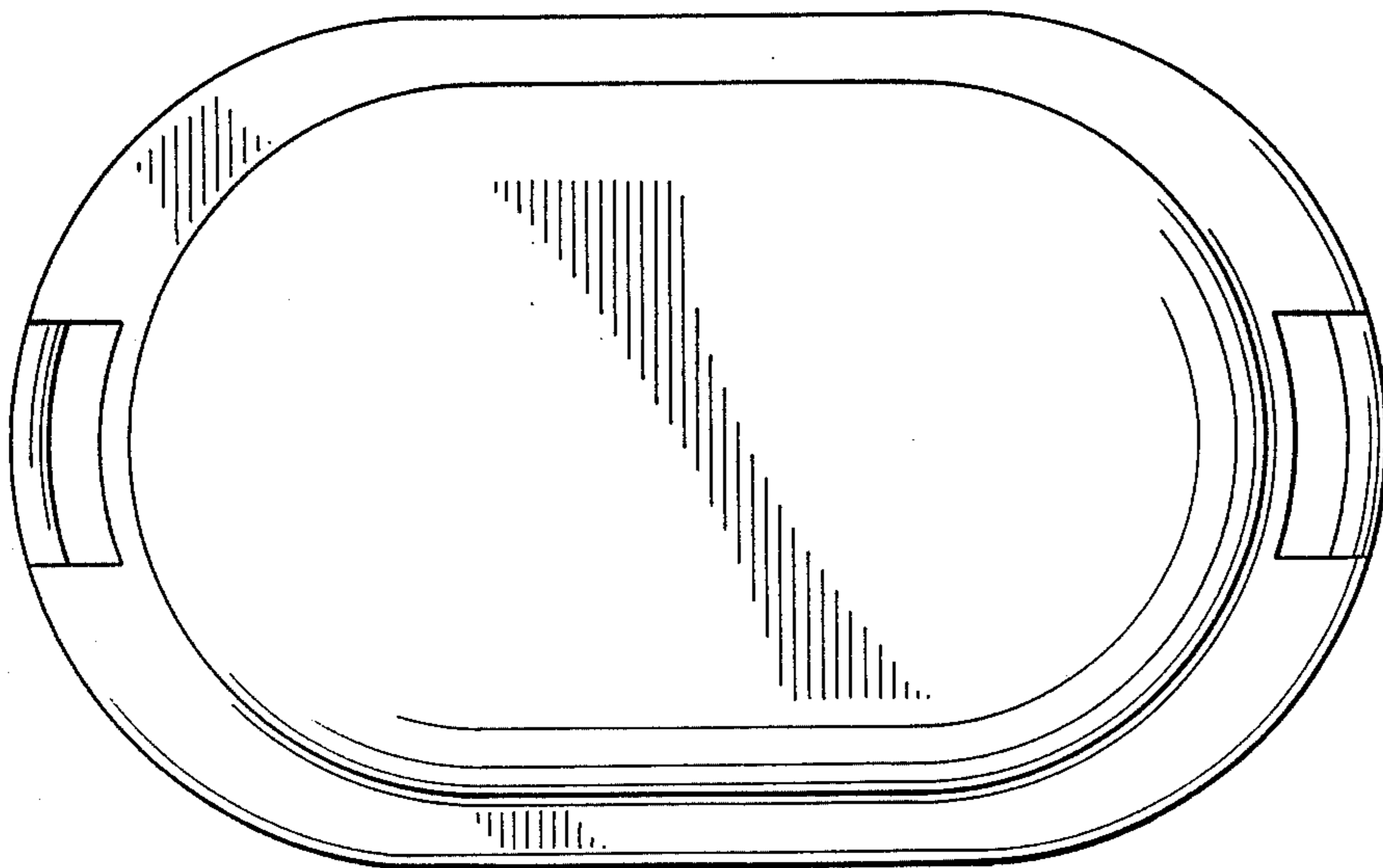


FIG. 8