

United States Patent [19]

Omdoll et al.

[11] **Patent Number: Des. 307,845**

[45] **Date of Patent: ** May 15, 1990**

[54] **TOILET TISSUE DISPENSER**

[75] **Inventors: Paul A. Omdoll, Palmyra; Scott J. Collins, Brown Deer, both of Wis.**

[73] **Assignee: San Jamar, Inc., Elkhorn, Wis.**

[**] **Term: 14 Years**

[21] **Appl. No.: 150,724**

[22] **Filed: Feb. 1, 1988**

[52] **U.S. Cl. D6/520**

[58] **Field of Search D6/512, 515, 518, 520, D6/522-523; 242/55.2, 55.3, 55.53, 56 R**

[56] **References Cited**

U.S. PATENT DOCUMENTS

- D. 265,700 8/1982 Breger et al. D6/523
- D. 267,684 1/1983 Lander D6/521
- D. 275,246 8/1984 Lander D6/523 X

- D. 299,602 1/1989 Nordlander D6/518
- 4,088,276 5/1978 Littleton 242/55.53

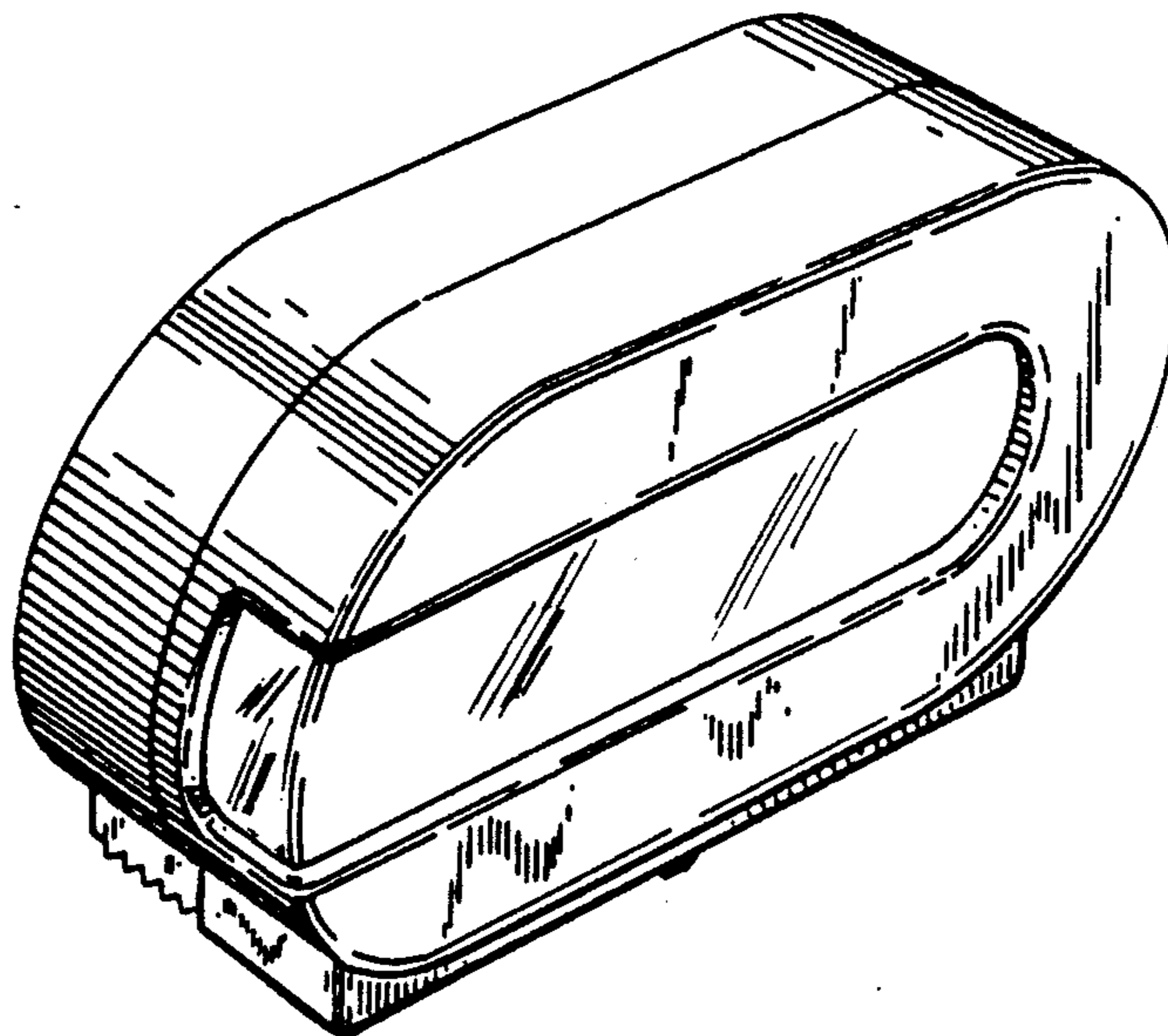
Primary Examiner—Wallace R. Burke
Assistant Examiner—Brian N. Vinson
Attorney, Agent, or Firm—Bayard H. Michael

[57] **CLAIM**

The ornamental design for a toilet tissue dispenser, as shown and described.

DESCRIPTION

FIG. 1 is a top, front and left side perspective view of a toilet tissue dispenser showing my new design; FIG. 2 is a front elevational view thereof; FIG. 3 is a right side elevational view thereof; FIG. 4 is a top plan view thereof; FIG. 5 is a bottom plan view thereof; FIG. 6 is a left side elevational view thereof; and FIG. 7 is a reduced rear elevational view thereof.



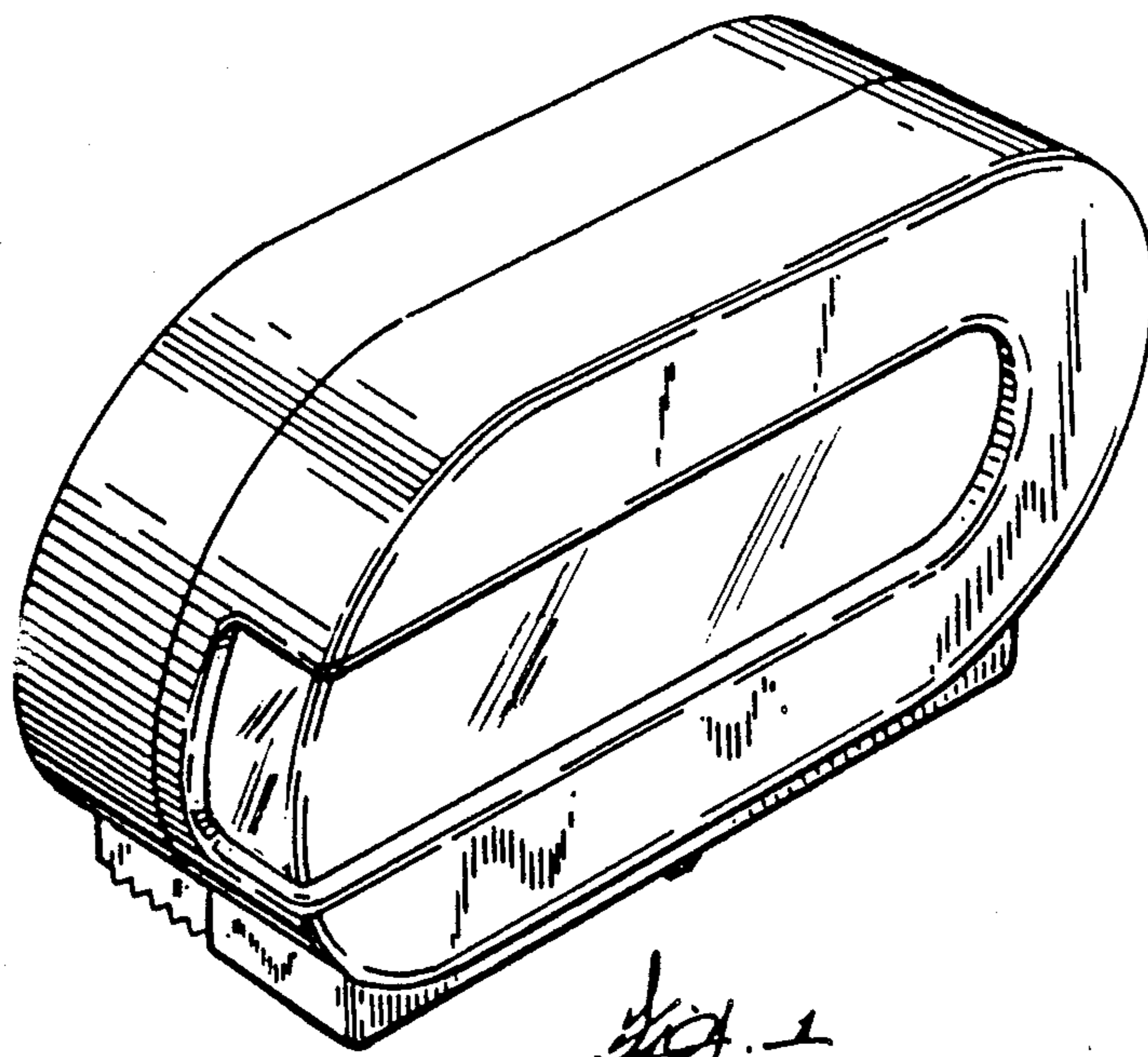


Fig. 1

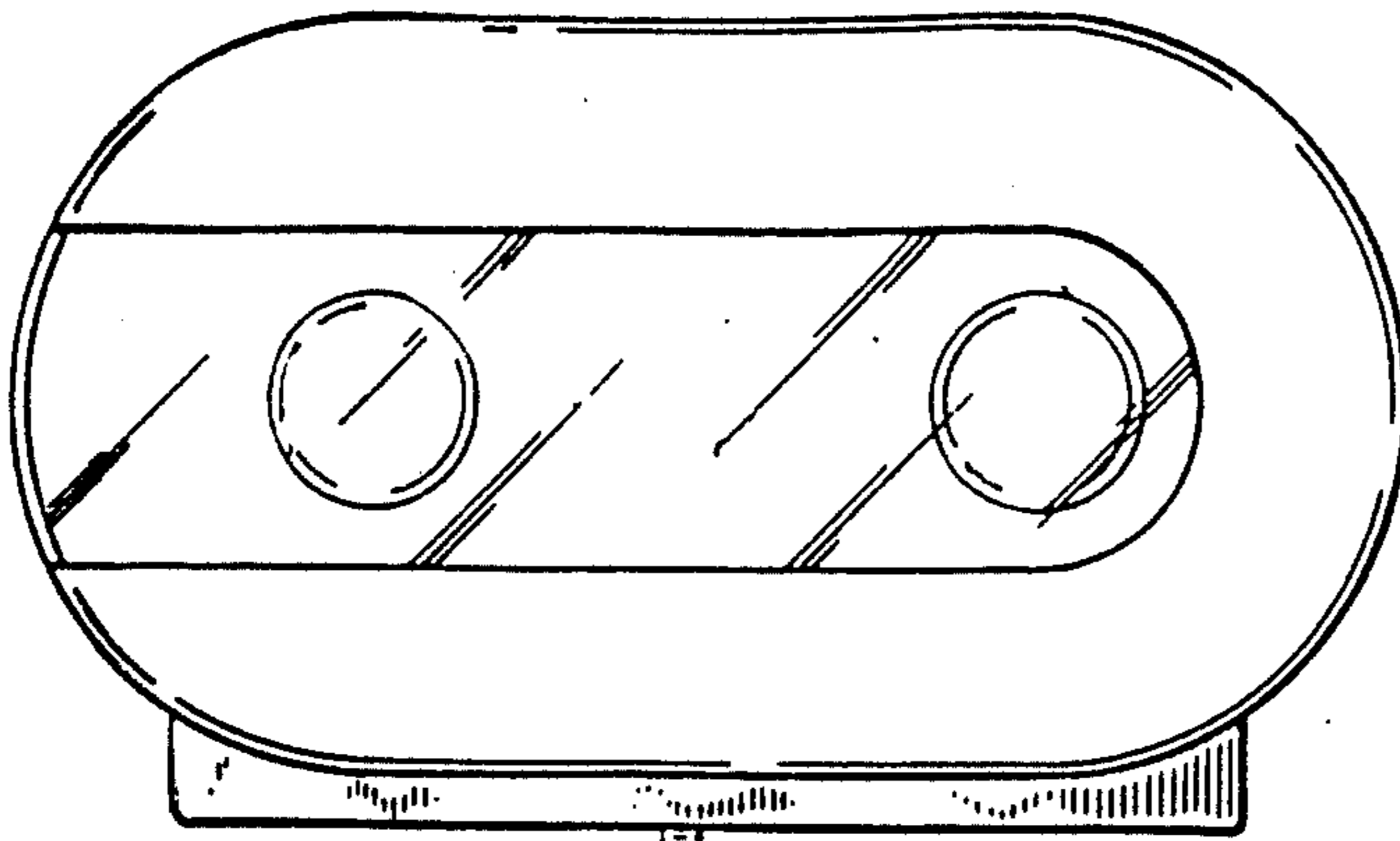


Fig. 2

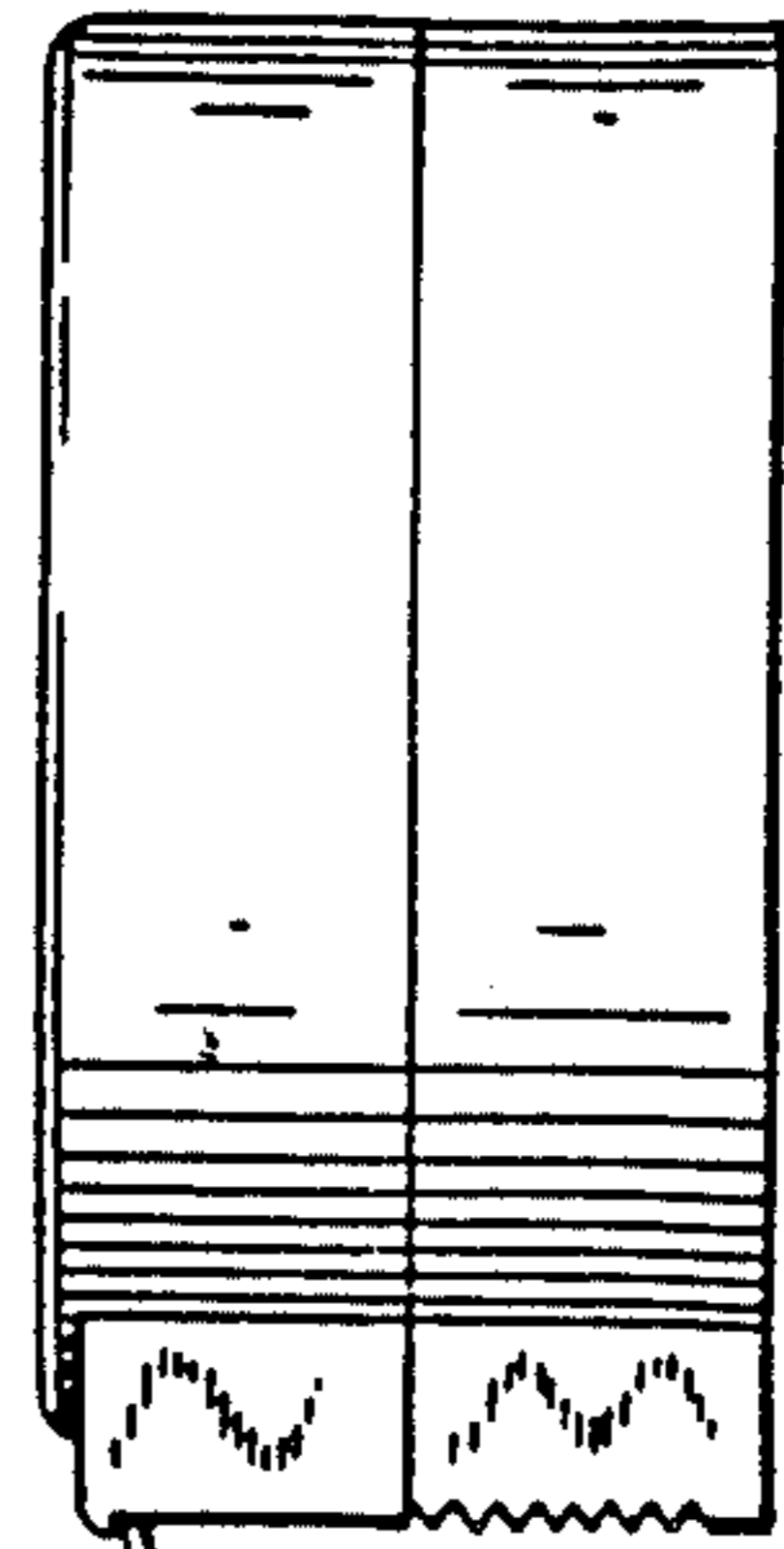


Fig. 3

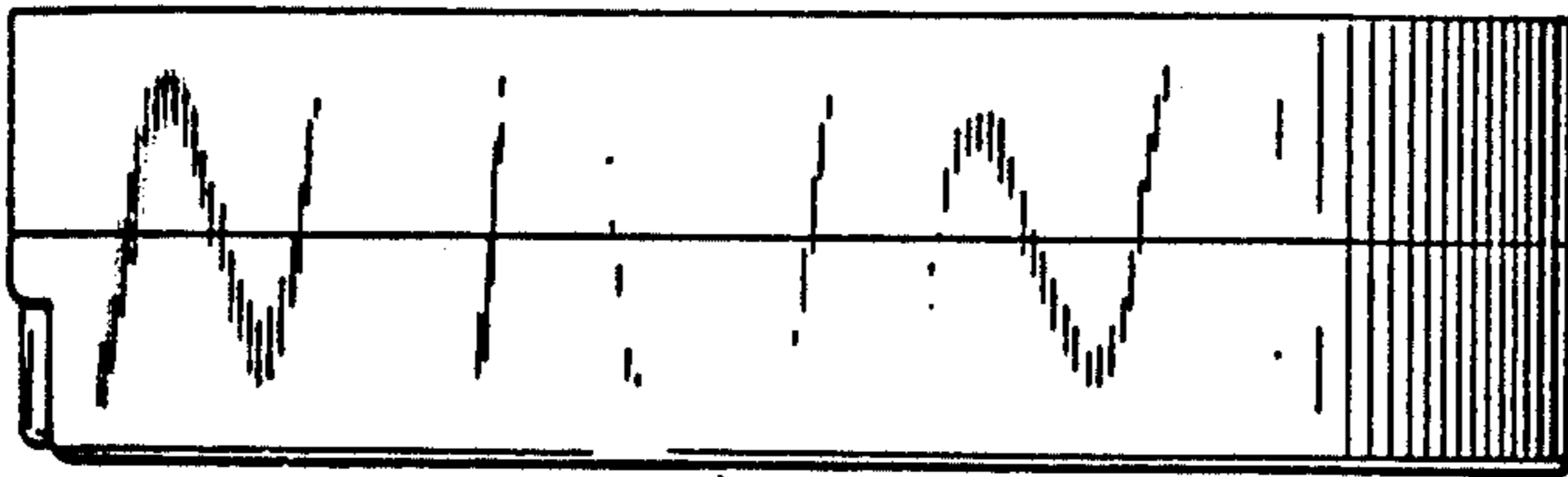


Fig. 4

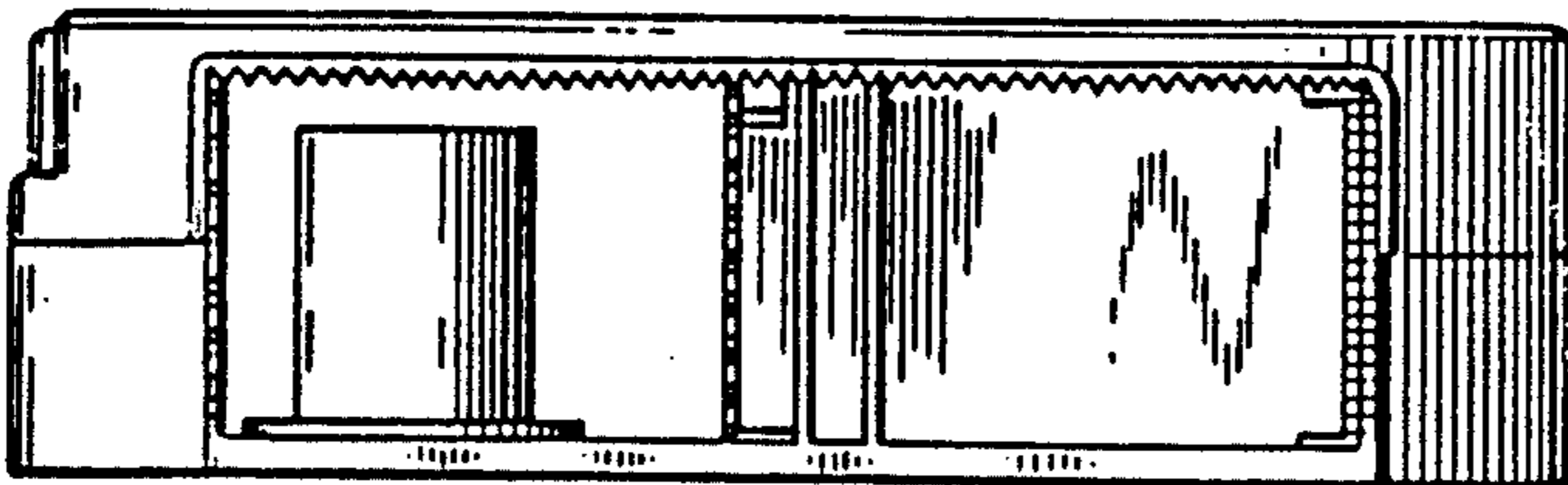


Fig. 5

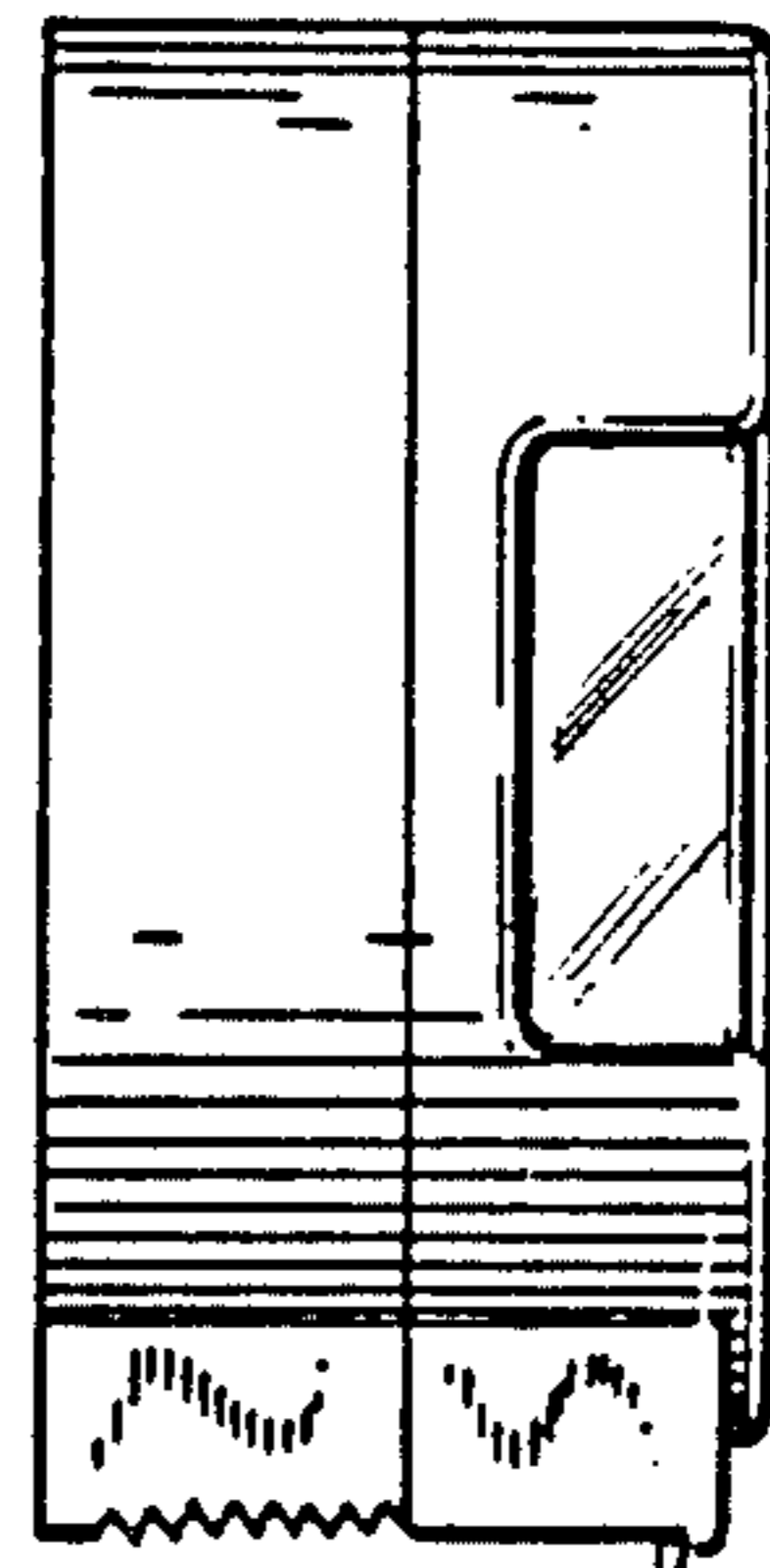


Fig. 6

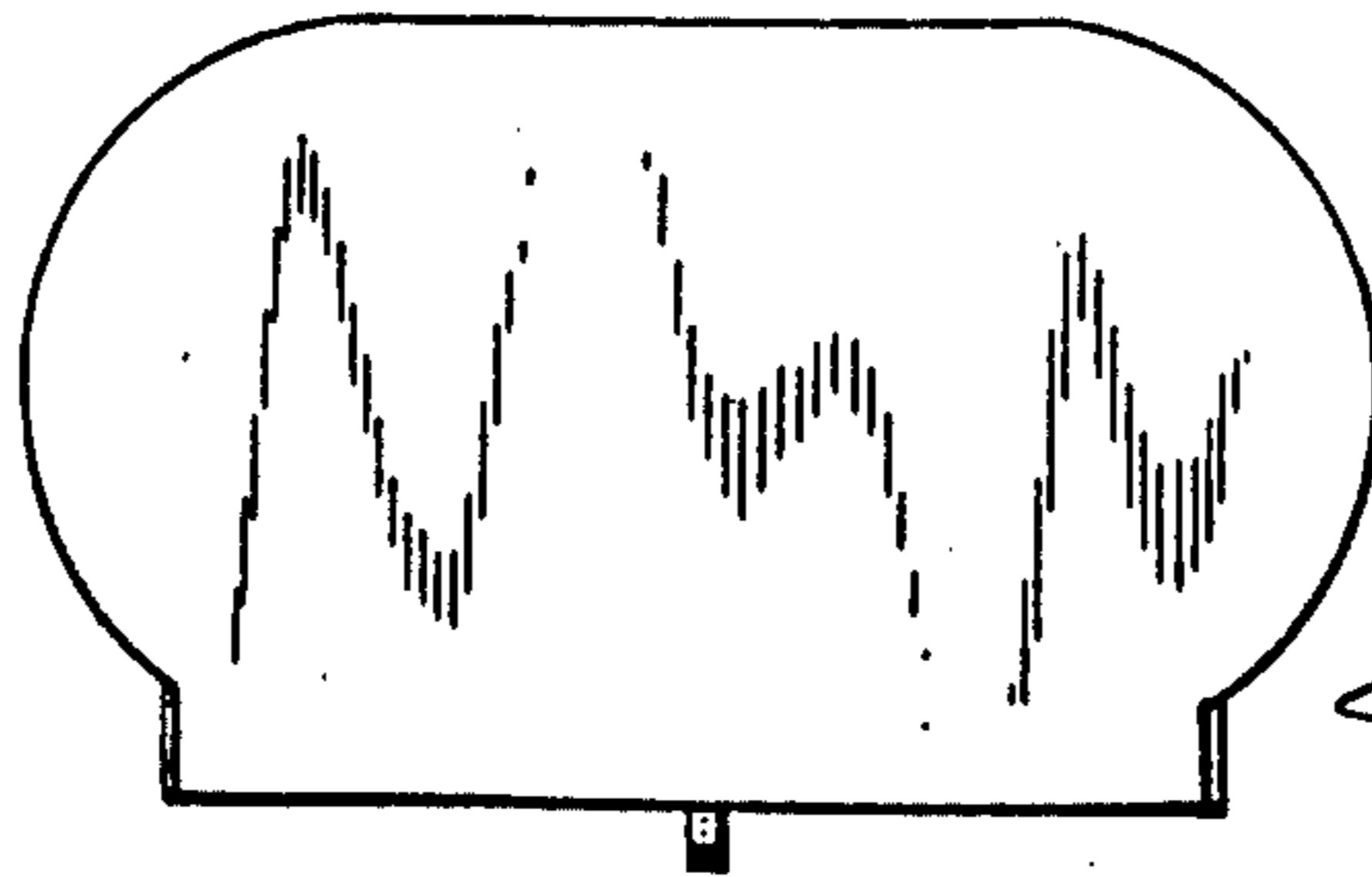


Fig. 7