

[54] **TOILET PAPER HOLDER**

[76] **Inventor: Philip Romeka, 106 Bay Meadows,
Rancho Mirage, Calif. 92270**

[**] **Term: 14 Years**

[21] **Appl. No.: 87,447**

[22] **Filed: Aug. 20, 1987**

[52] **U.S. Cl. D6/523**

[58] **Field of Search D6/512, 515, 518, 522-523;
242/55.2, 55.3; 211/101**

[56] **References Cited**

U.S. PATENT DOCUMENTS

D. 248,999	8/1978	House	D6/523
1,205,472	11/1916	Moore	D6/523 X
2,632,605	3/1953	Lee	242/55.2
2,879,012	3/1959	Sarro	242/55.2
2,893,676	7/1959	Connors et al.	242/540 X
3,022,957	2/1962	Blunt et al.	242/55.2
3,155,333	11/1964	Jend	242/55.2
3,593,936	7/1971	Davis	242/55.2
4,071,200	1/1978	Stone	242/55.2

4,099,681 7/1978 House D8/523 X
4,614,312 9/1986 Del Pino 242/55.3 X

Primary Examiner—Wallace R. Burke
Assistant Examiner—Brian N. Vinson
Attorney, Agent, or Firm—Edward A. Sokolski

[57] **CLAIM**

The ornamental design for a toilet paper holder, as shown and described.

DESCRIPTION

FIG. 1 is a top, front and left side perspective view of a toilet paper holder showing my new design, the broken line depiction of the paper roll being for illustrative purposes only and forming no part of the claimed design;

FIG. 2 is a front elevational view thereof, the rear being plain and unornamented;

FIG. 3 is a top plan view thereof, the bottom being a mirror image of that shown;

FIG. 4 is a left side elevational view thereof, the right side being a mirror image of that shown; and

FIG. 5 is a vertical cross-sectional view thereof, taken along line 5—5 of FIG. 2.

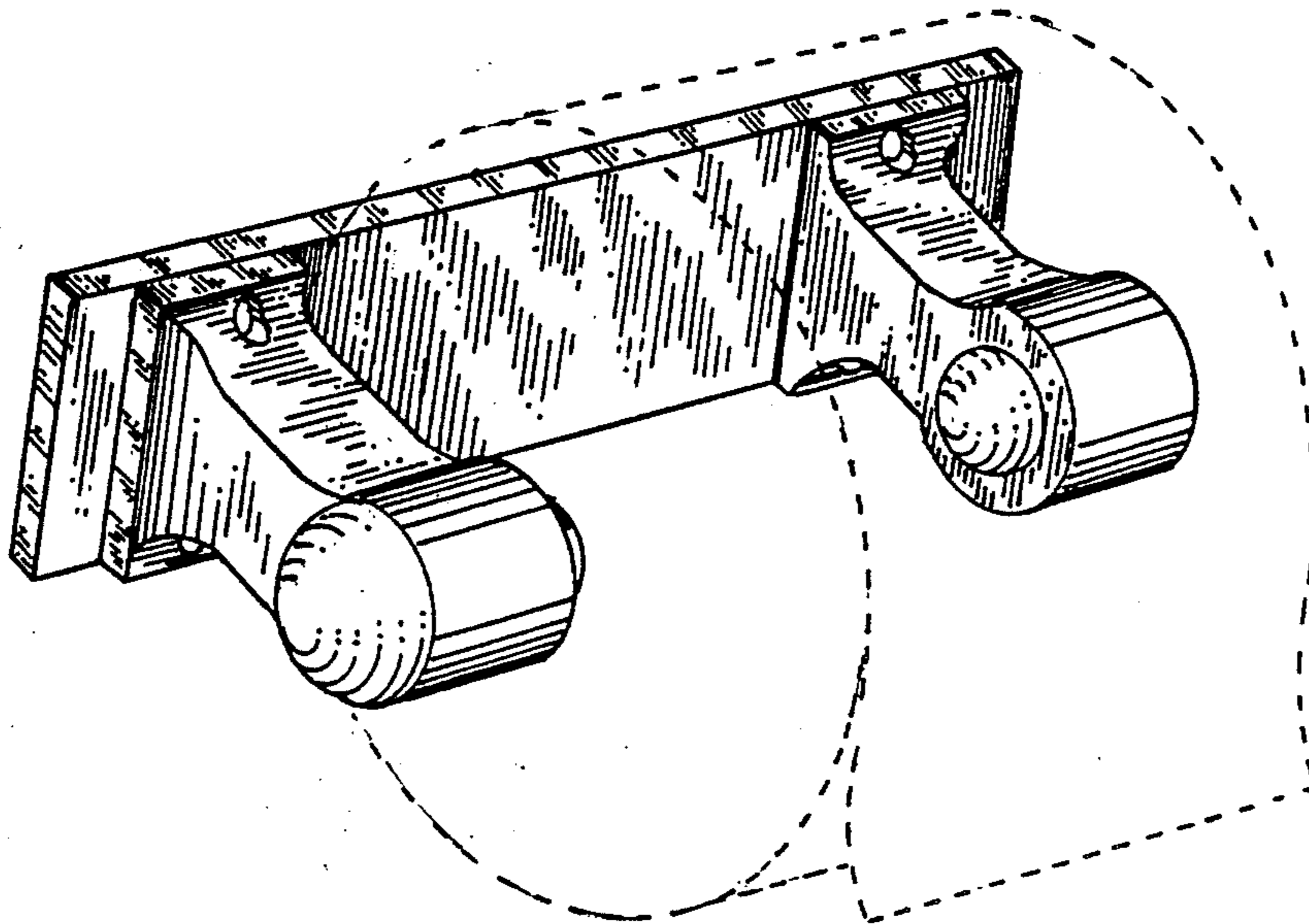
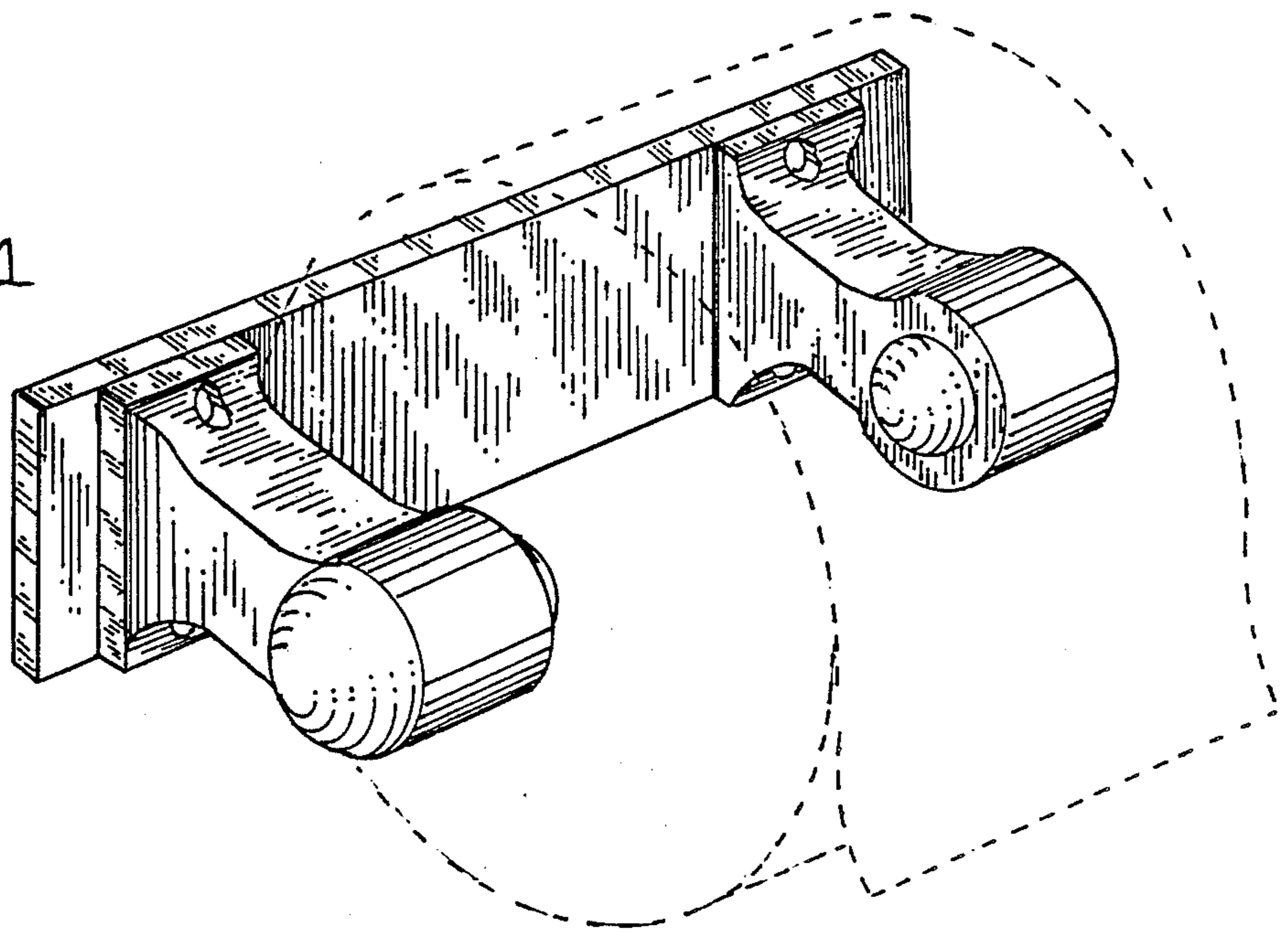


Fig. 1



5 ←

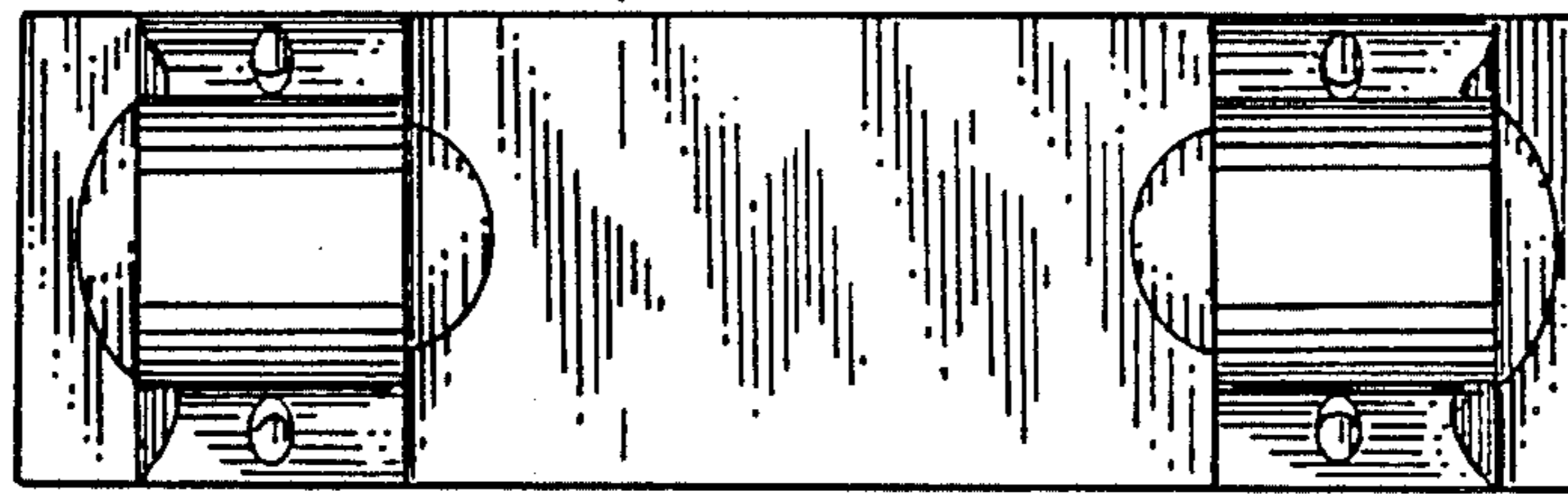


Fig. 2

5 ←

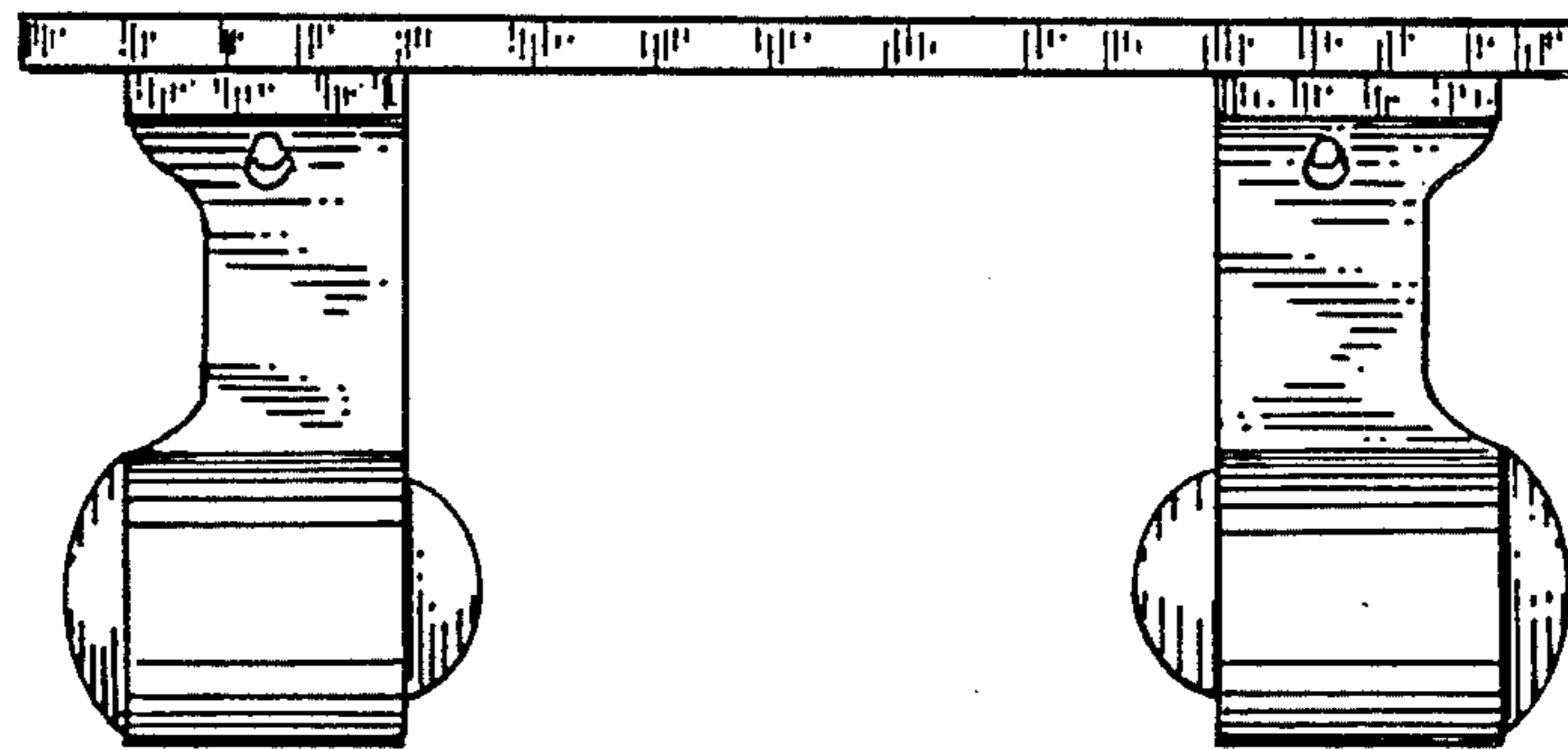


Fig. 3

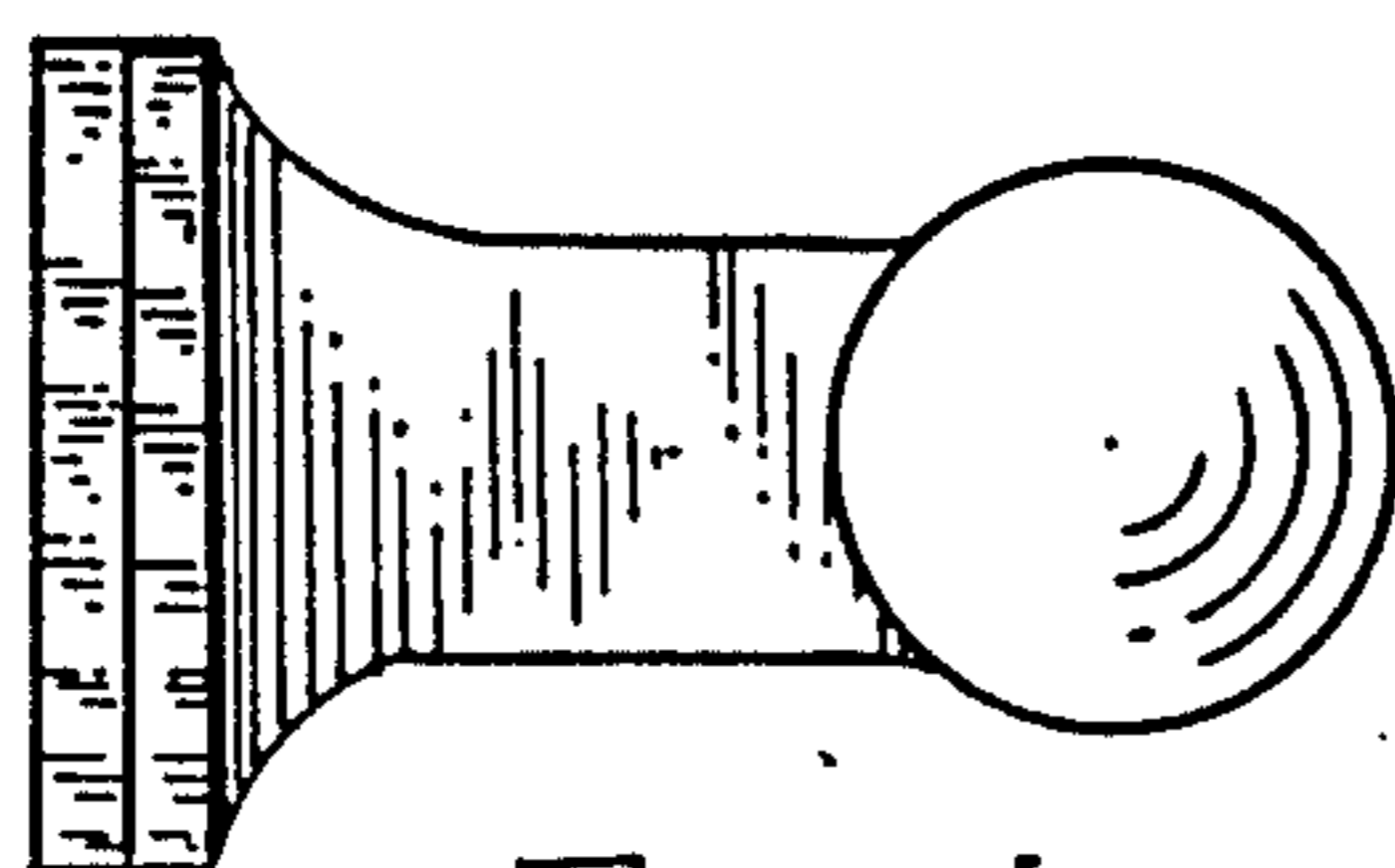


Fig. 4

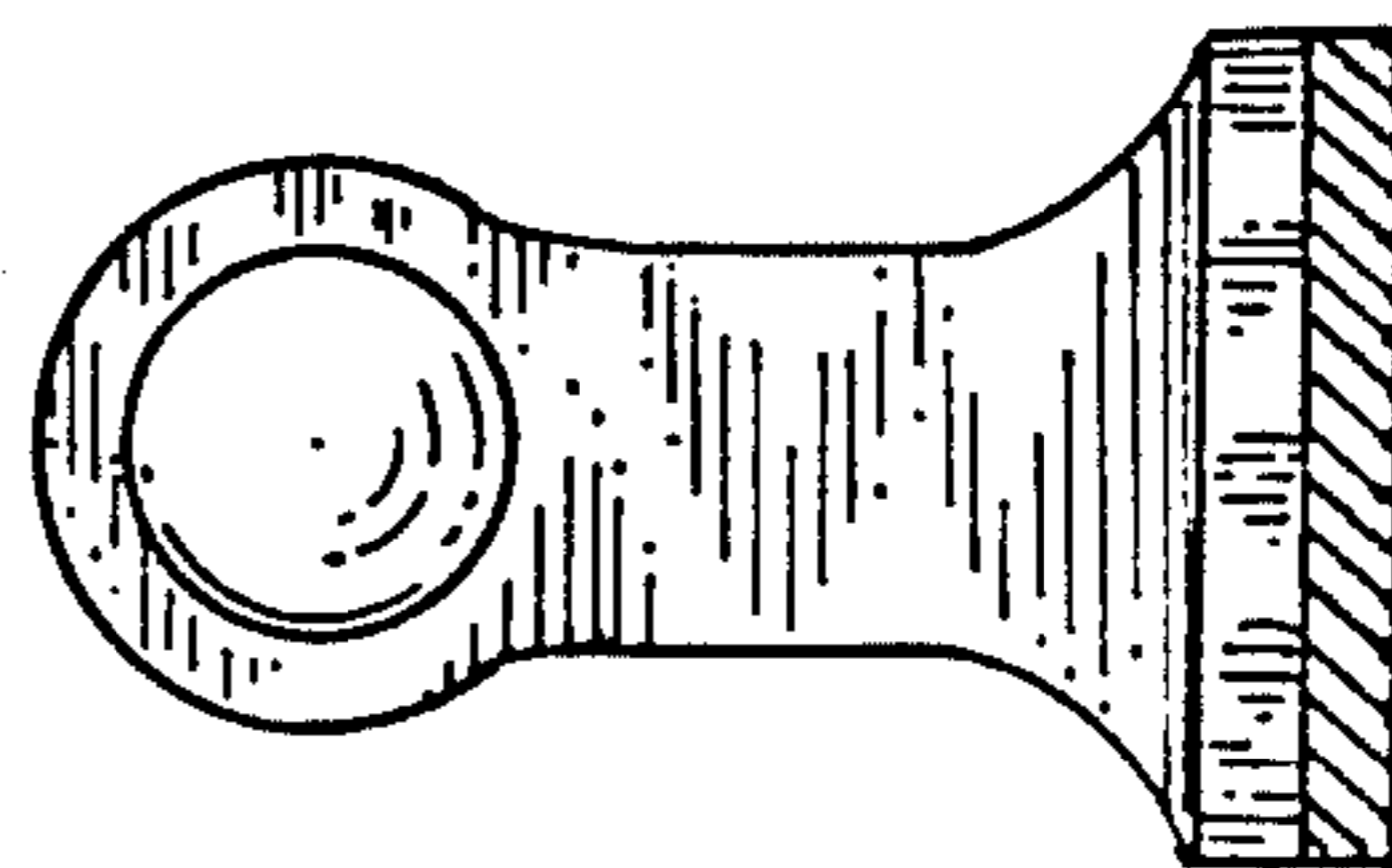


Fig. 5