

[54] COMBINED CLEANING FLUID SPRAY CONTAINER AND ROLLED TOWEL SUPPORT

[76] Inventor: Belinda K. Parshall, Rte. 1 Box 262, Byars, Okla. 74831

[**] Term: 14 Years

[21] Appl. No.: 206,441

[22] Filed: Jun. 13, 1988

[52] U.S. Cl. D6/521; D9/448

[58] Field of Search D6/518-519, D6/522; D9/390, 395-396, 399, 378, 300, 448; 220/1 R, 18, DIG. 12, DIG. 13, DIG. 14; 222/173, 191, 192, 566

[56] References Cited

U.S. PATENT DOCUMENTS

- D. 136,224 8/1943 Hector D9/396
- D. 213,422 3/1969 Sizer D9/390
- D. 213,837 4/1969 Davis D6/521

- D. 283,095 3/1986 Compton D6/521
- 3,474,938 10/1969 Clevenger D9/300 X

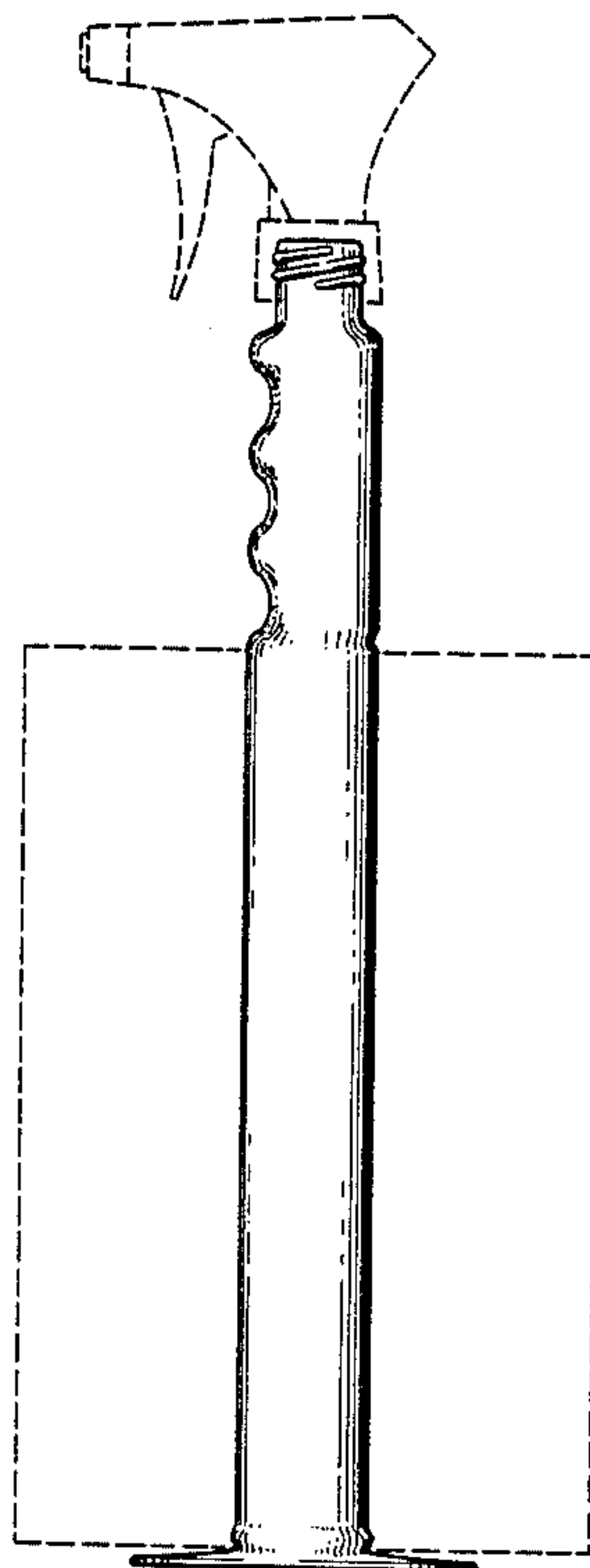
Primary Examiner—Wallace R. Burke
Assistant Examiner—Brian N. Vinson
Attorney, Agent, or Firm—Robert K. Rhea

[57] CLAIM

The ornamental design for a combined cleaning fluid spray container and rolled towel support, as shown and described.

DESCRIPTION

FIG. 1 is a side elevational view of a combined cleaning fluid spray container and rolled towel support showing my new design, the opposite side being a mirror image of that shown; and, FIG. 2 is a top plan view thereof, the bottom being plain and unornamented. The broken-line showing of the sprayer head and rolled towels being for illustrative purposes only and forming no part of the claimed design.



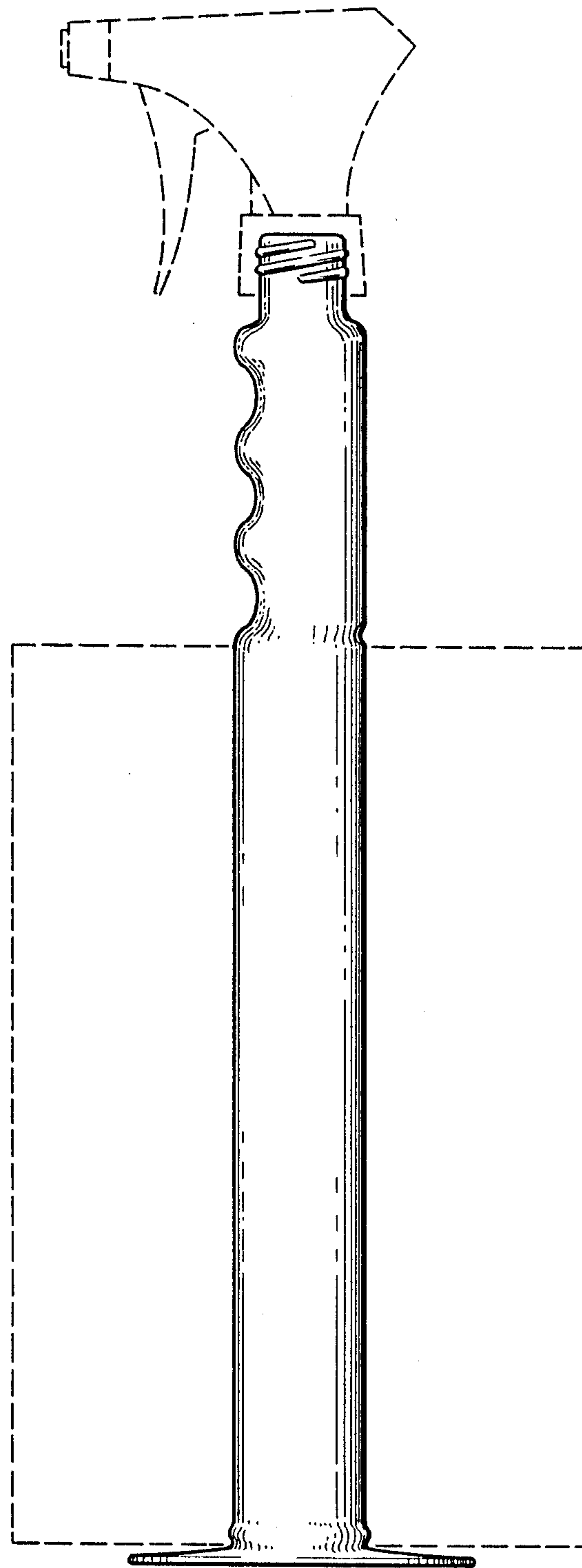


FIG. 1

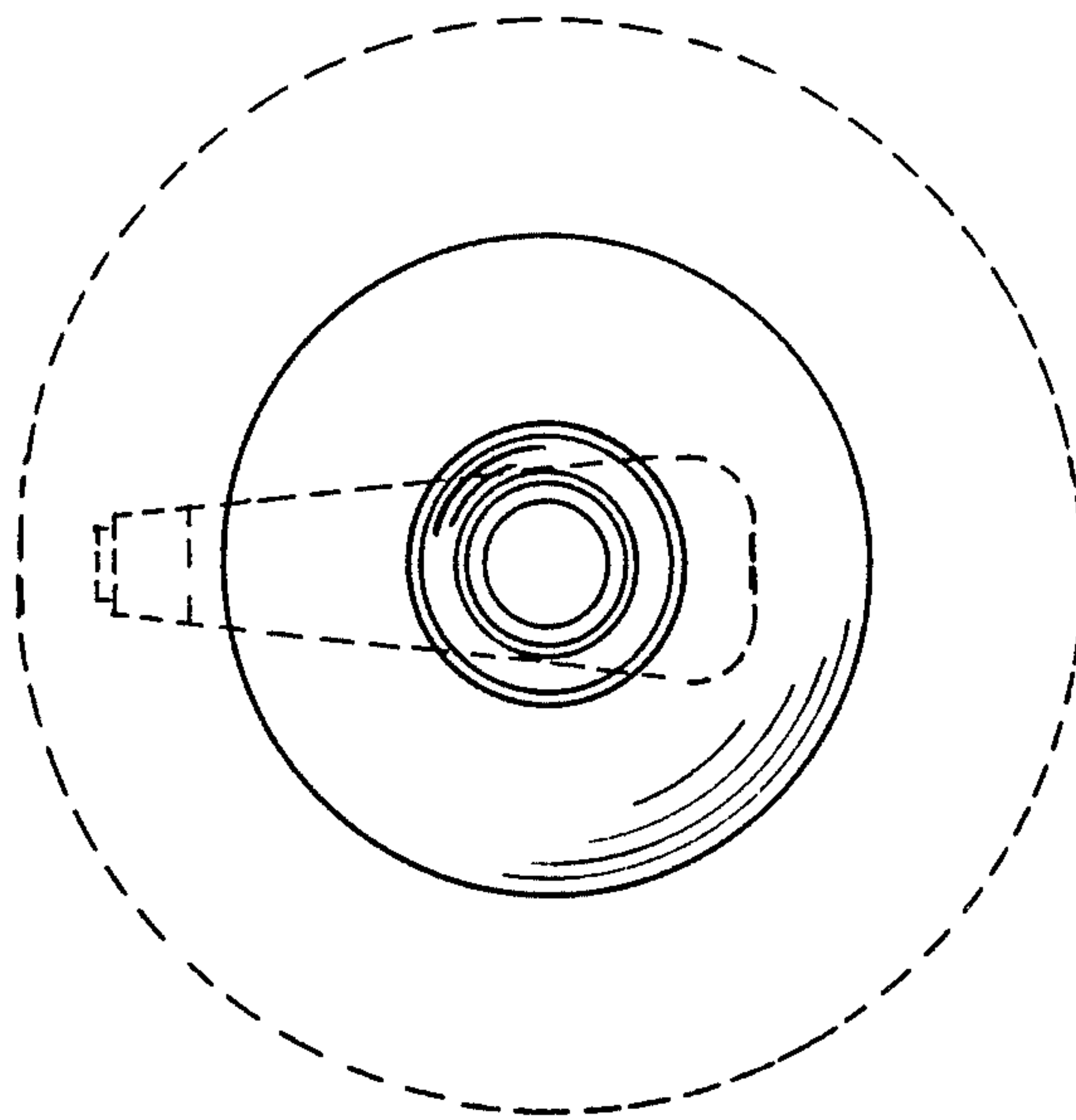


FIG. 2