

[54] **PAPER CUP DISPENSER**

[76] **Inventor:** Barbara J. Bieganski, 1021 Sixth St.,
Schenectady, N.Y. 12303

[**] **Term:** 14 Years

[21] **Appl. No.:** 202,423

[22] **Filed:** Jun. 6, 1988

[52] **U.S. Cl.** D6/516

[58] **Field of Search** D6/515-516;
221/45, 66, 175, 185, 279, 282, 284

[56] **References Cited**

U.S. PATENT DOCUMENTS

3,203,587 8/1965 Mount et al. 221/279 X
4,199,076 4/1980 Brown 221/45

OTHER PUBLICATIONS

Londonware Bath Accessories brochure (1981) p. 4,
Cup Dispenser.

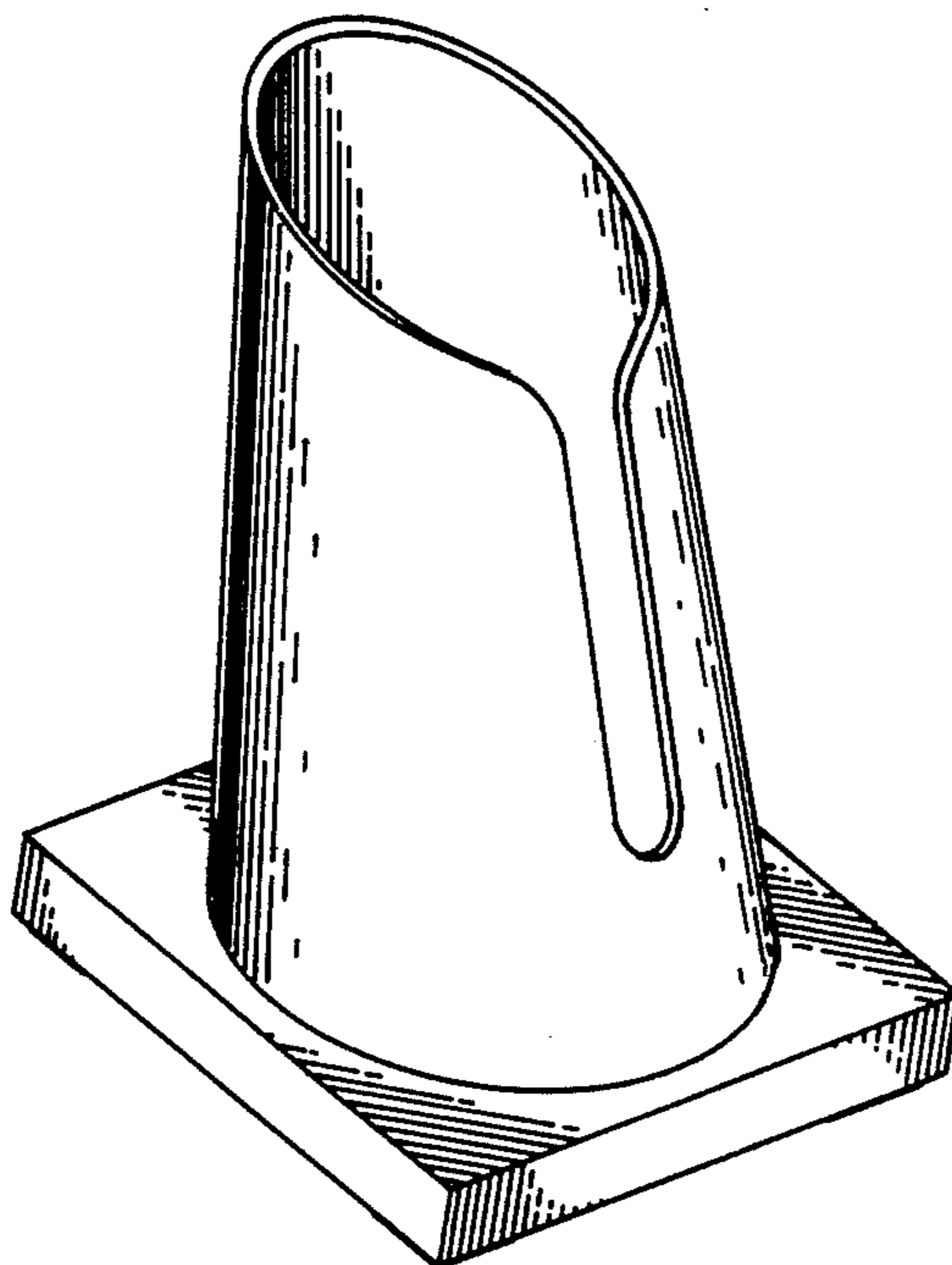
Primary Examiner—Wallace R. Burke
Assistant Examiner—Brian N. Vinson
Attorney, Agent, or Firm—Schmeiser, Morelle & Watts

[57] **CLAIM**

The ornamental design for a paper cup dispenser, as
shown and described.

DESCRIPTION

FIG. 1 is a top, rear and right side elevational view of a
paper cup dispenser showing my new design;
FIG. 2 is a top, front and right side perspective view
thereof; and
FIG. 3 is a left side elevational view thereof, the right
side being a mirror image of that shown.



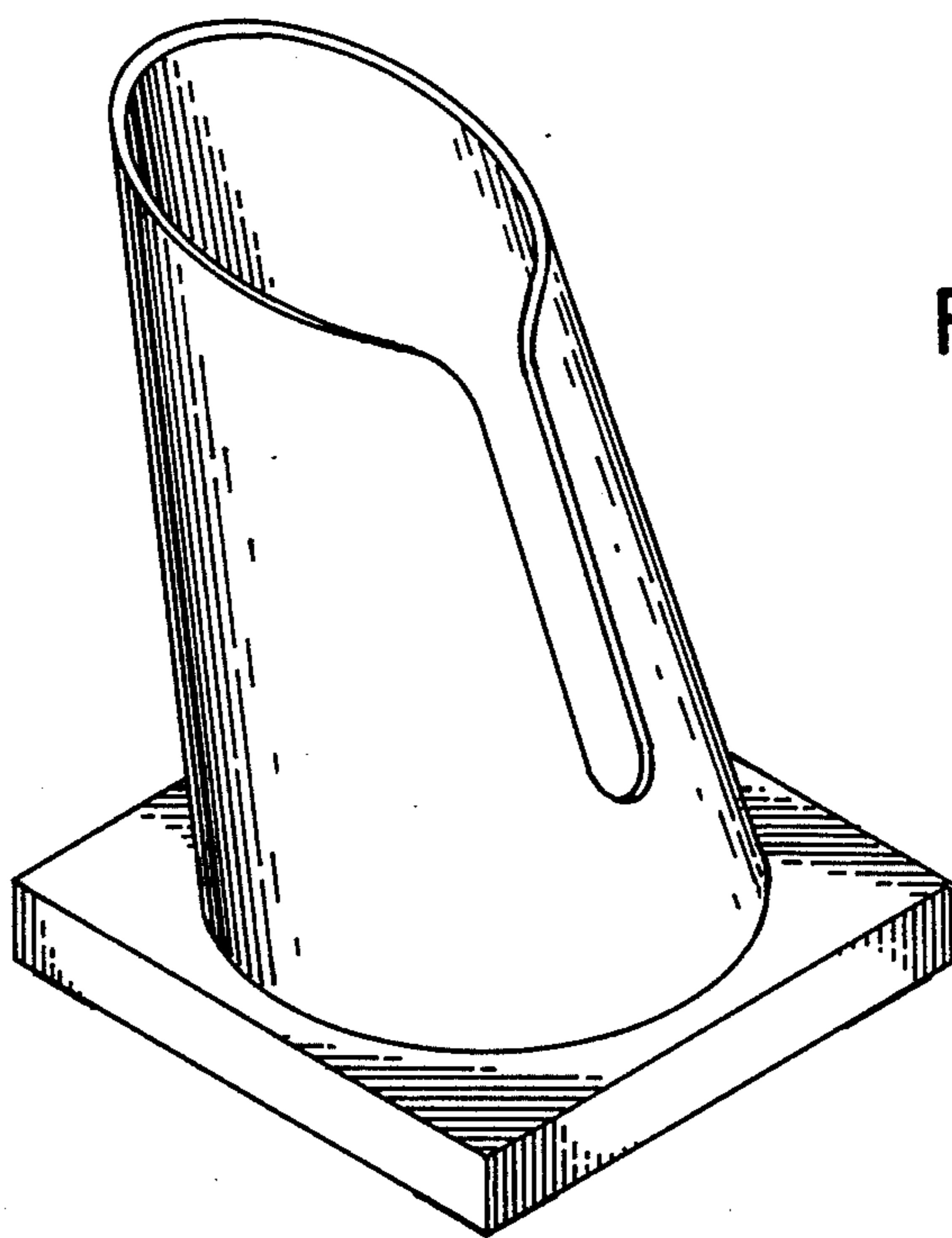


FIG. 1

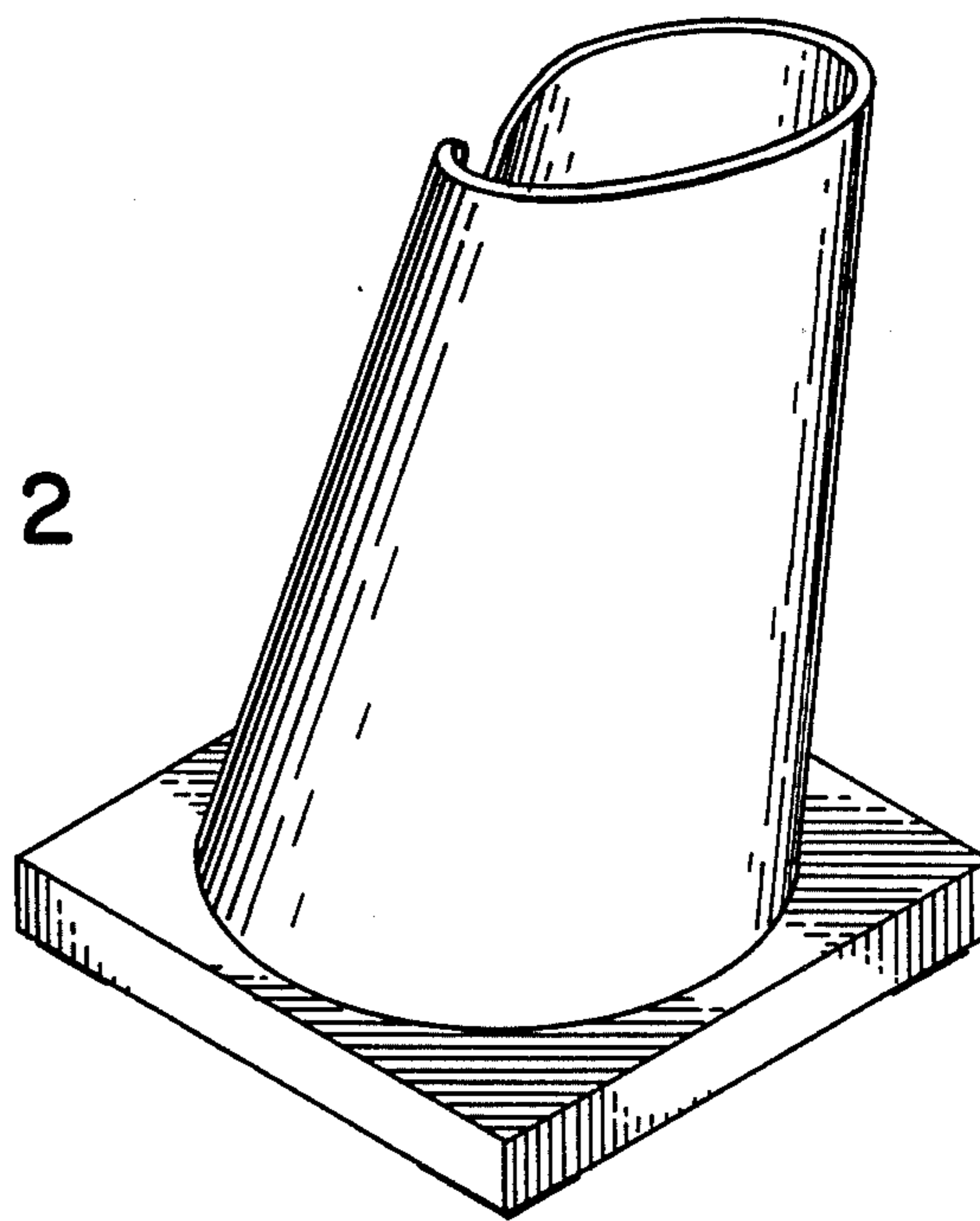


FIG. 2

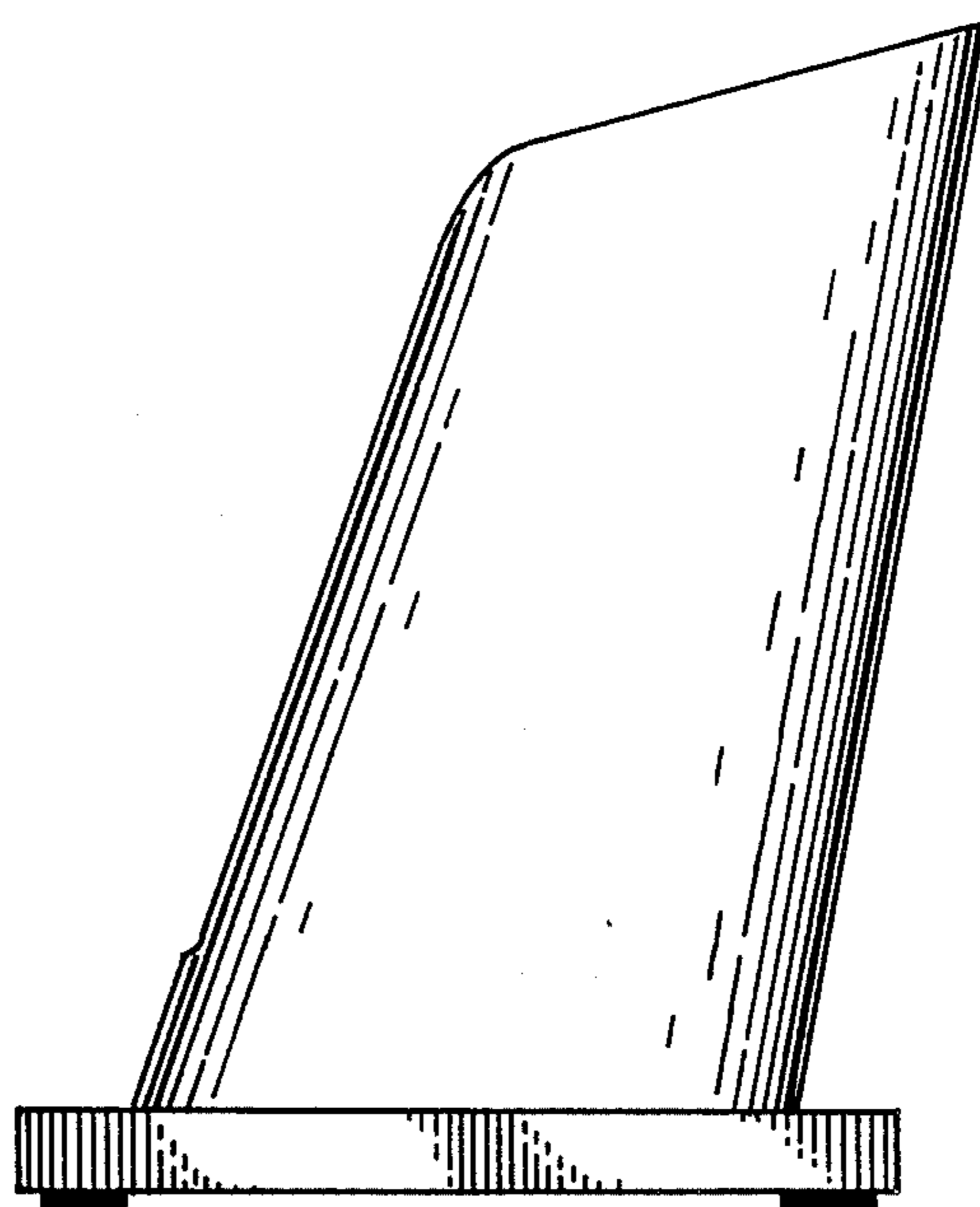


FIG. 3