

[54] CHAIR

[76] Inventor: Paolo Favaretto, Via Lovarini N.31, 35100 Padova, Italy

[**] Term: 14 Years

[21] Appl. No.: 12,714

[22] Filed: Feb. 5, 1987

[52] U.S. Cl. D6/372; D6/380

[58] Field of Search D6/371, 372, 373, 379, D6/380

[56] References Cited

U.S. PATENT DOCUMENTS

D. 90,319	7/1933	Horwitt	D6/372
D. 109,433	4/1938	Bunder	D6/370
D. 225,495	12/1972	Lamb	D6/372
D. 298,987	12/1988	Tiffany	D6/360

OTHER PUBLICATIONS

Design, 1/1975, p. 75, Zolftig Chair, bottom center. Contract Furn., ©1983, p. 56, Chair, bottom right.

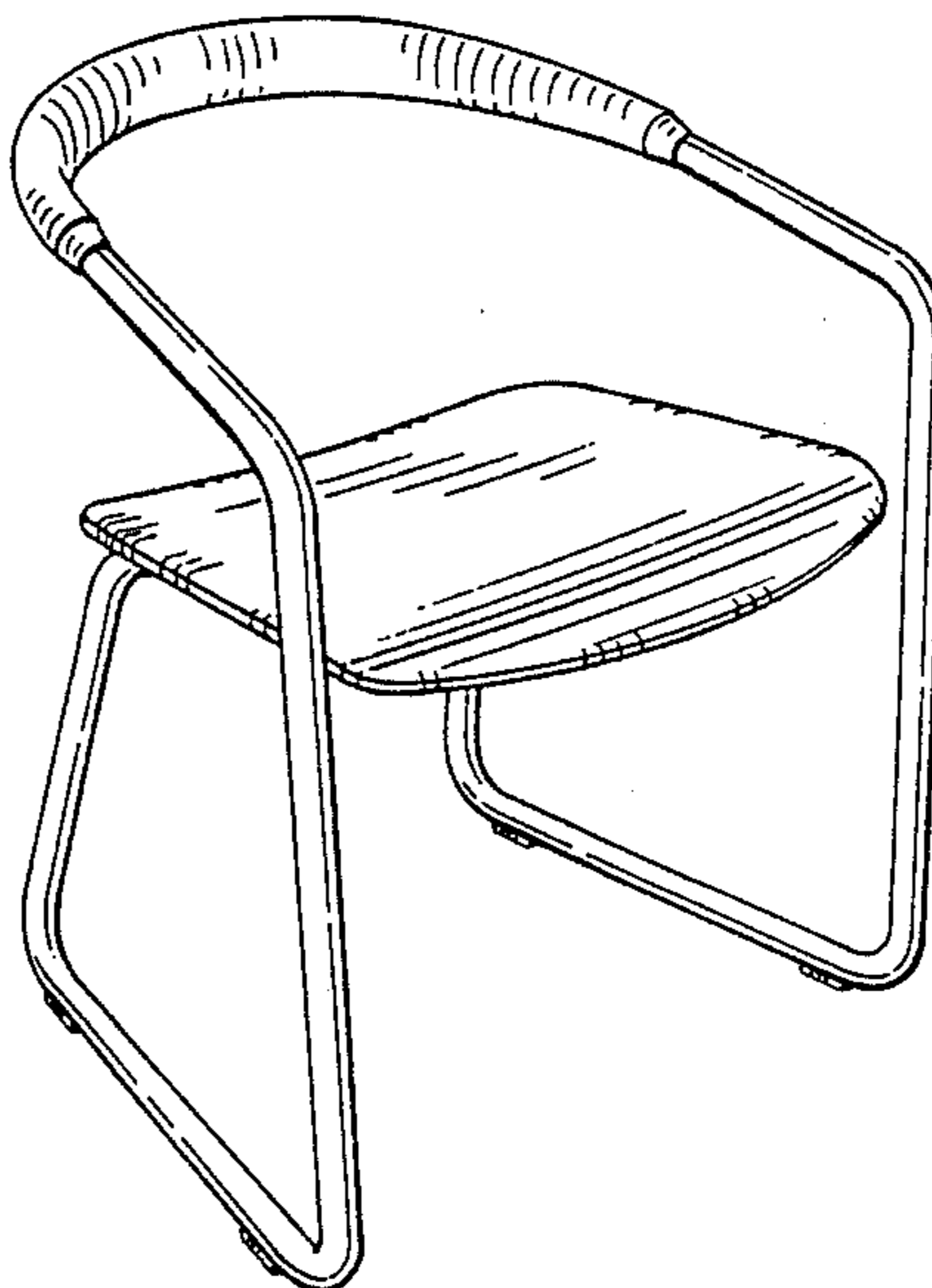
Primary Examiner—James R. Largen
Assistant Examiner—Ann Hunt
Attorney, Agent, or Firm—Sughrue, Mion, Zinn, Macpeak & Seas

[57] CLAIM

The ornamental design for a chair, as shown and described.

DESCRIPTION

FIG. 1 is a front perspective view of the chair showing my new design;
FIG. 2 is a rear perspective view from below;
FIG. 3 is a front elevational view;
FIG. 4 is a side elevational view, the opposite side view being a mirror image thereof; and,
FIG. 5 is a top plan view thereof.



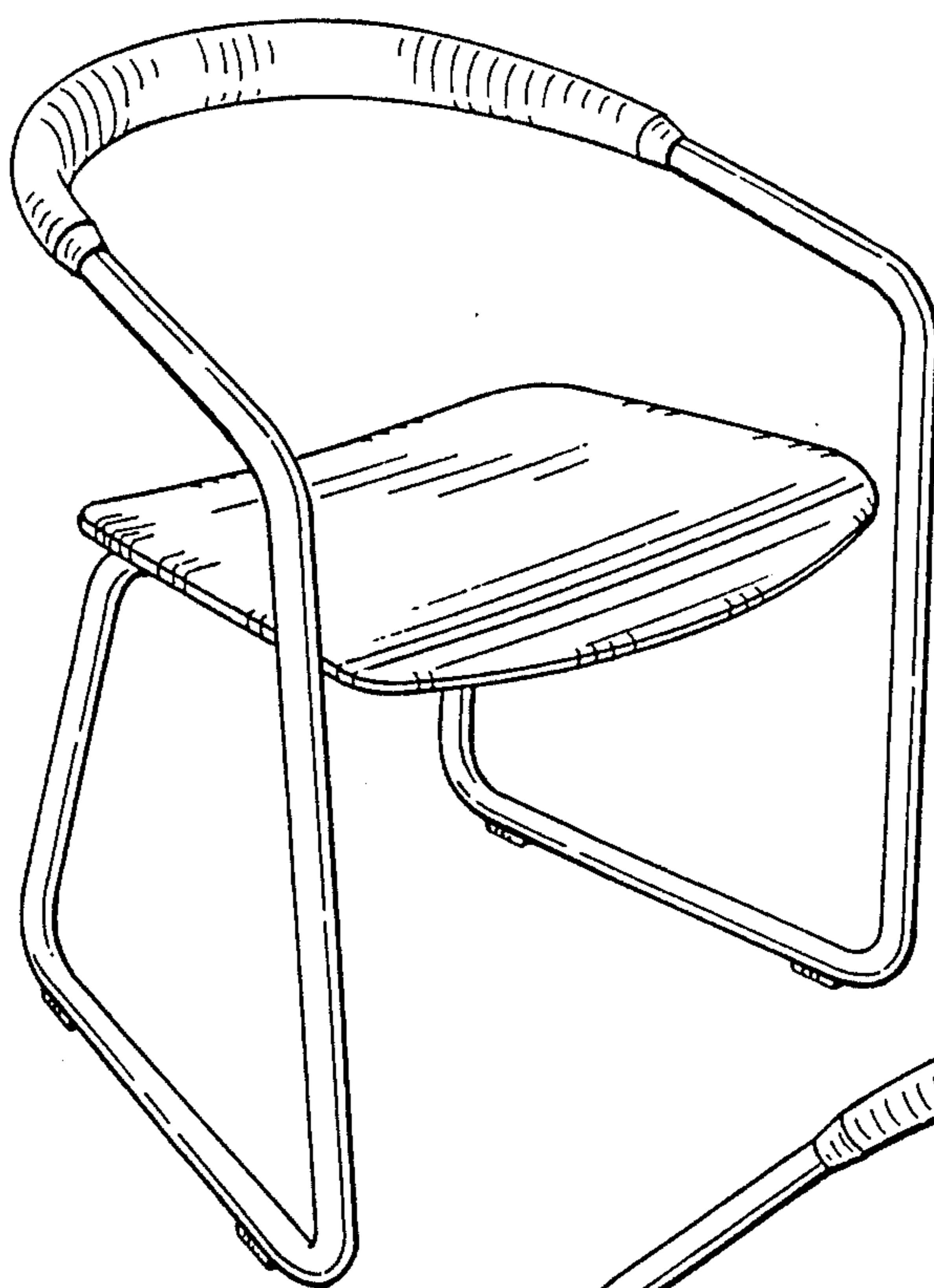


FIG. 1

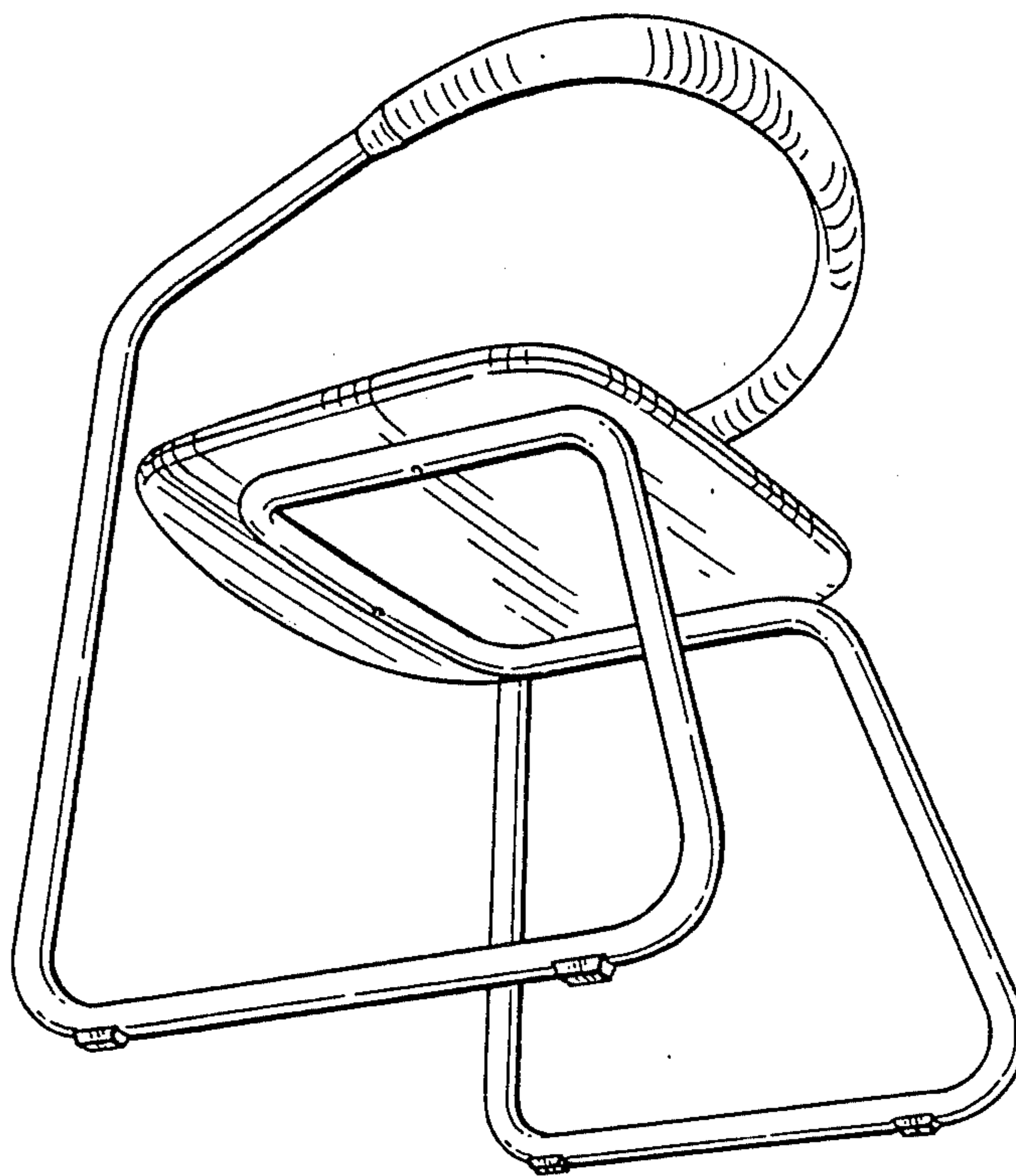


FIG. 2

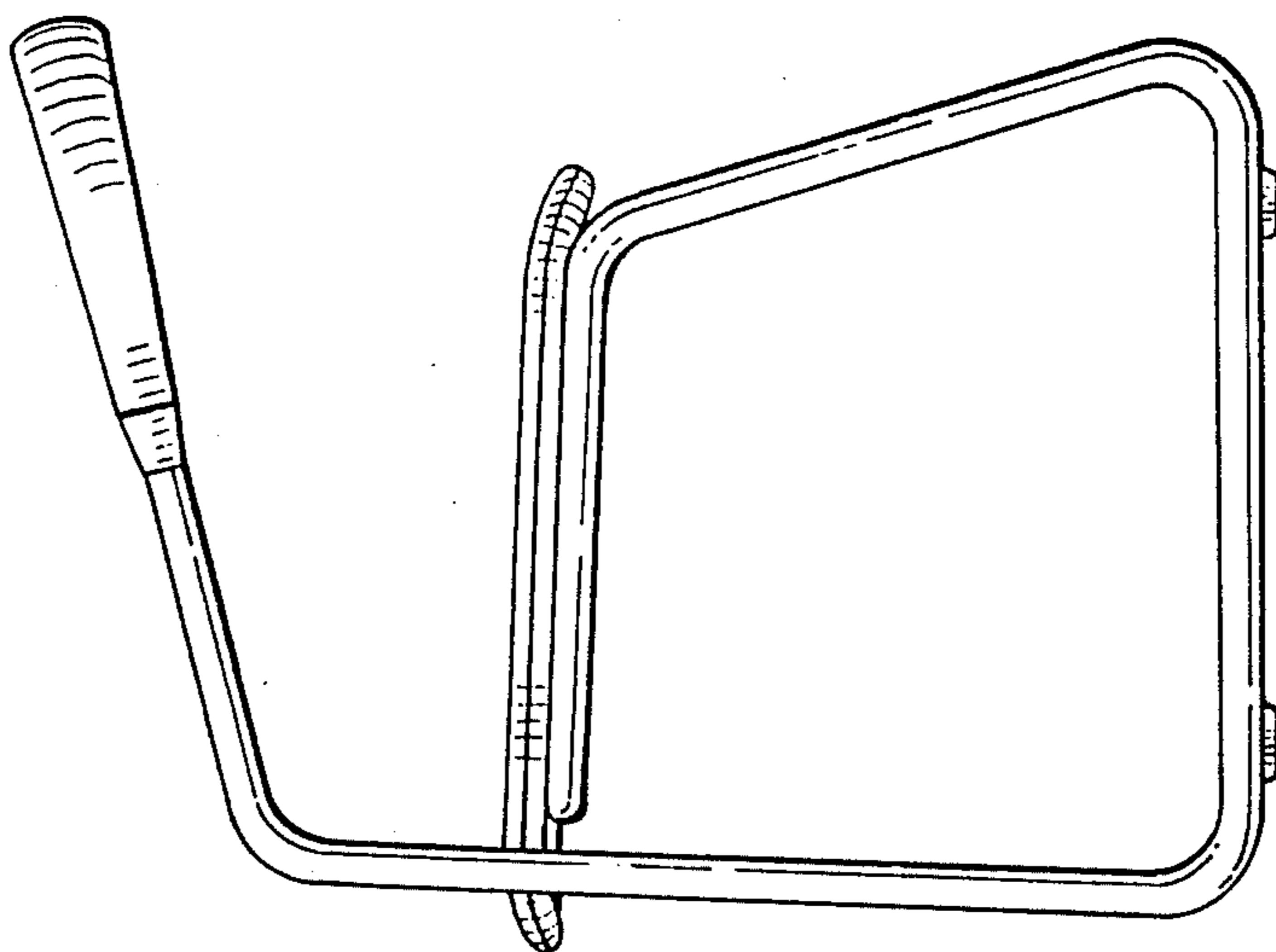


FIG. 4

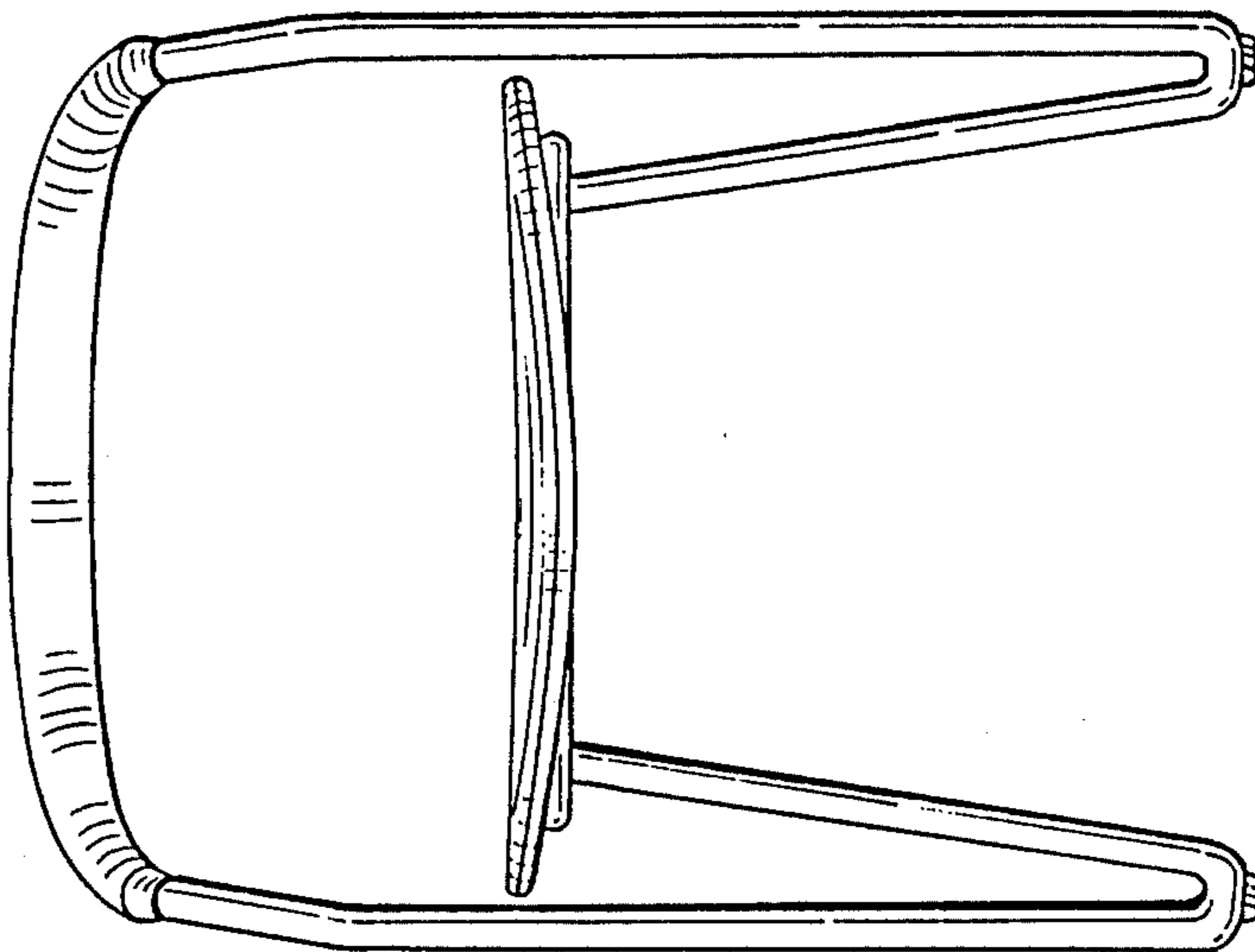


FIG. 3

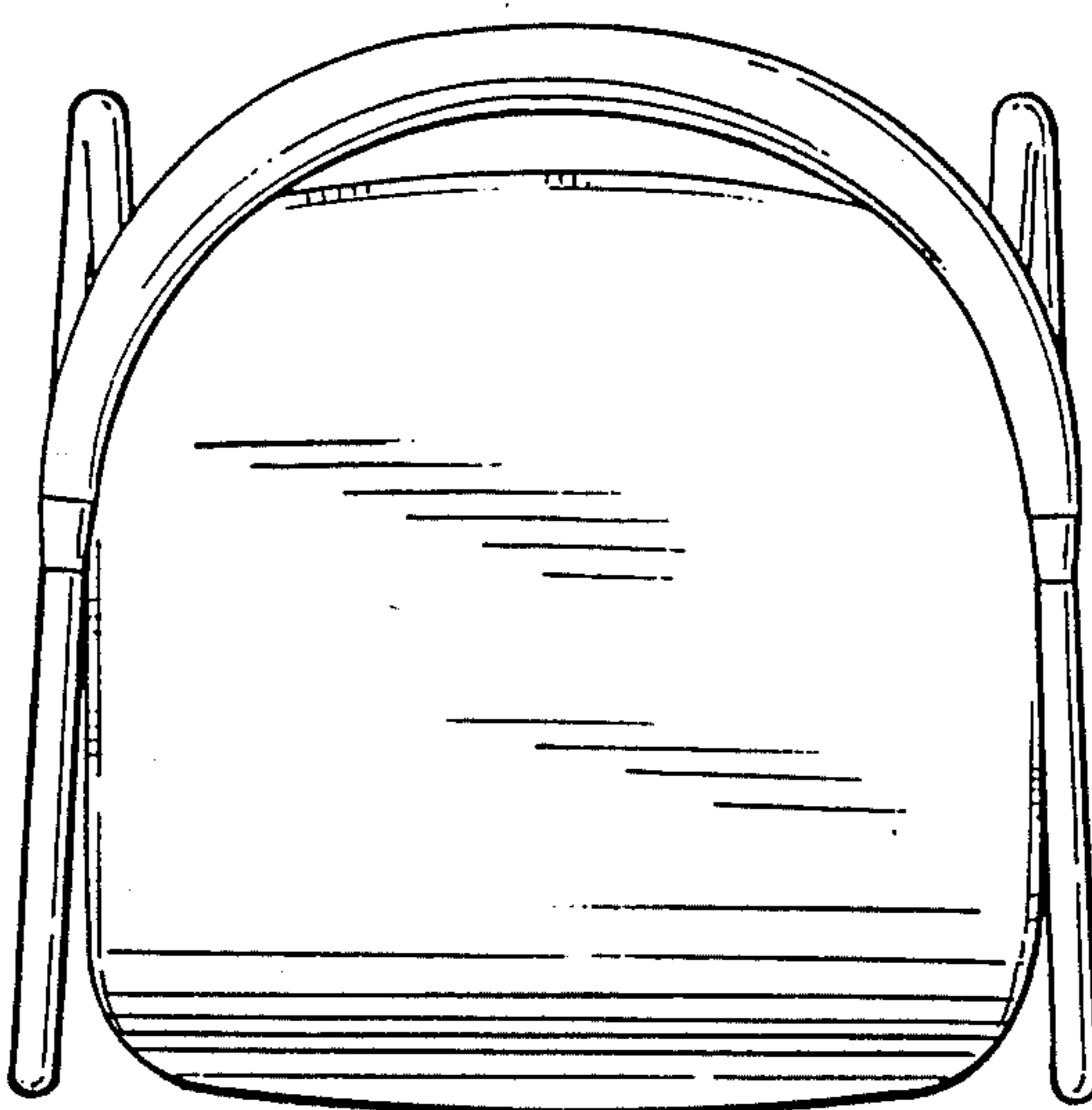


FIG. 5