

[54] AUTO SNACK TRAY

[76] Inventor: Charles P. Warren, P.O. Box 1473, Hays, Kans. 67601

[\*\*] Term: 14 Years

[21] Appl. No.: 898,088

[22] Filed: Aug. 20, 1986

[52] U.S. Cl. .... D3/40

[58] Field of Search ..... D3/40, 30.1, 67, 68, D3/69, 75, 76, 73, 74; D7/70, 71, 38, 37, 77; 206/564; 220/20, 22; D12/155; 224/275, 155; D6/501

[56] References Cited

U.S. PATENT DOCUMENTS

D. 195,819	8/1963	Mathison	.....	D3/30.5
D. 232,870	9/1974	Fry	.....	D12/155
D. 294,136	2/1988	Eide	.....	D12/155
2,574,250	11/1951	Dalton	.....	211/75

2,640,595	6/1953	Byford	.....	224/275
2,672,182	3/1954	Gwin et al.	.....	297/188
3,039,616	6/1962	Proffit	.....	211/74
3,135,392	6/1964	Elkins	.....	D7/38
3,561,589	2/1971	Larkin, Jr. et al.	.....	D3/40
3,606,112	9/1971	Cheshier	.....	D7/38
3,690,724	9/1972	Douglas et al.	.....	D7/38

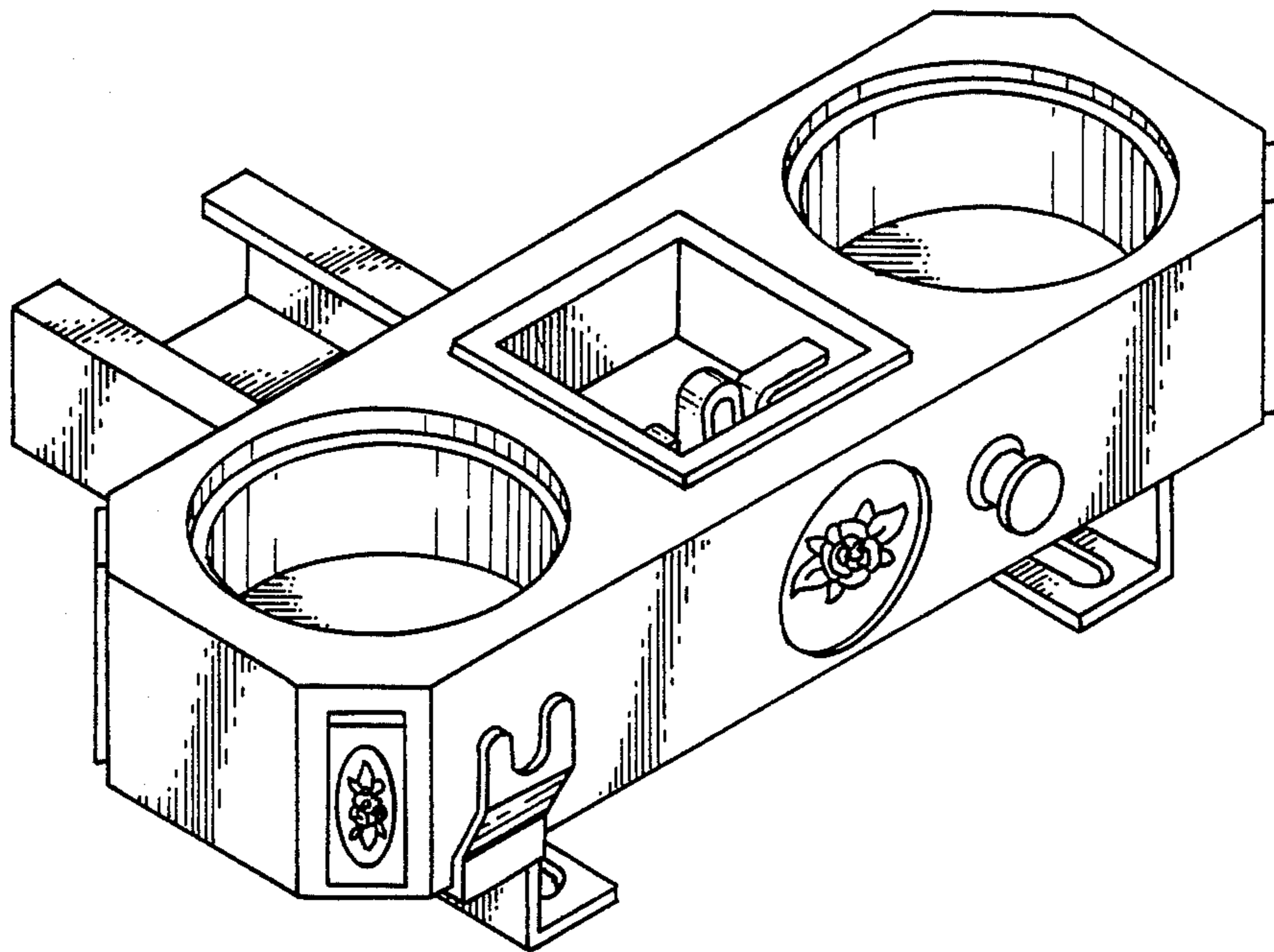
Primary Examiner—James R. Largen  
Assistant Examiner—Antoine Davis  
Attorney, Agent, or Firm—Terry M. Gernstein

[57] CLAIM

The ornamental design for an auto snack tray, as shown and described.

DESCRIPTION

FIG. 1 is a perspective view of an auto snack tray showing my new design;  
FIG. 2 is a left side elevational view thereof;  
FIG. 3 is a rear elevational view thereof;  
FIG. 4 is a bottom plan view thereof;  
FIG. 5 is a top plan view thereof.



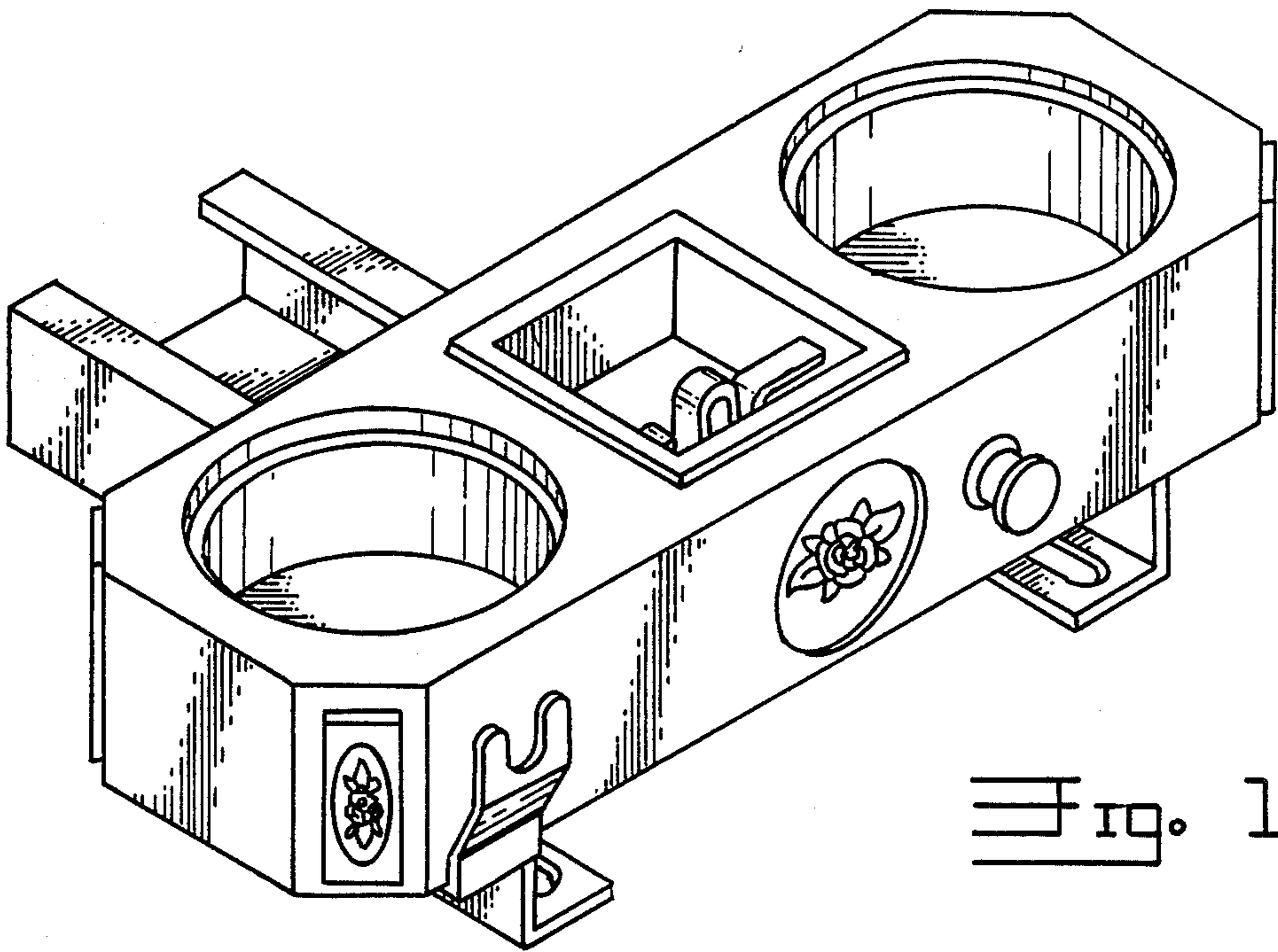


Fig. 1

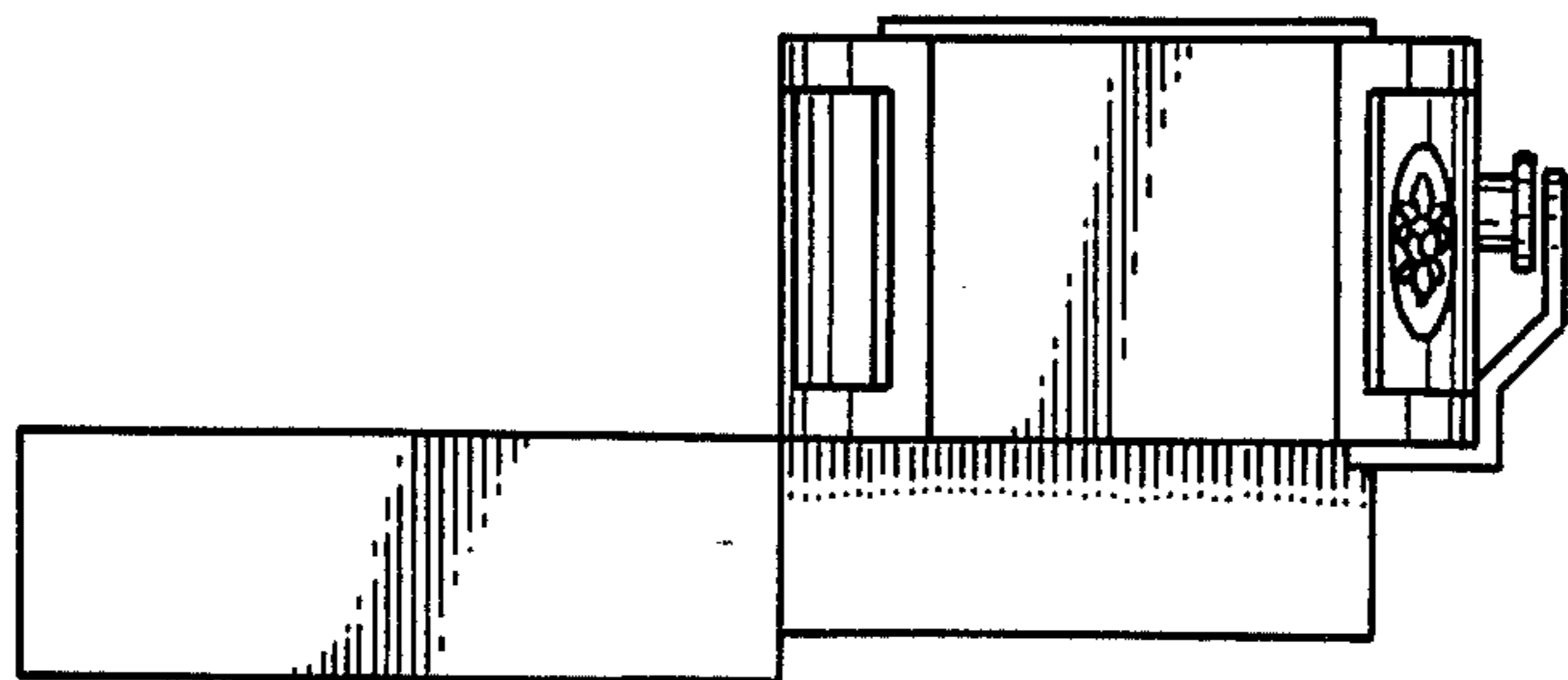


Fig. 2

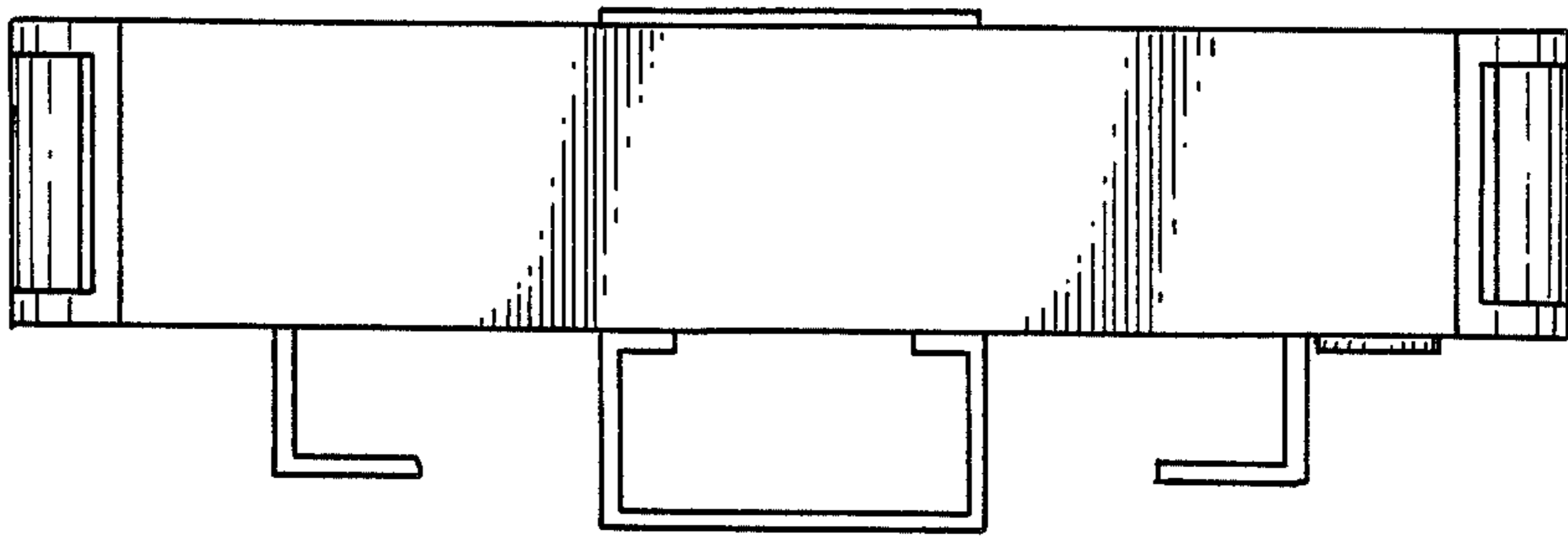


Fig. 3

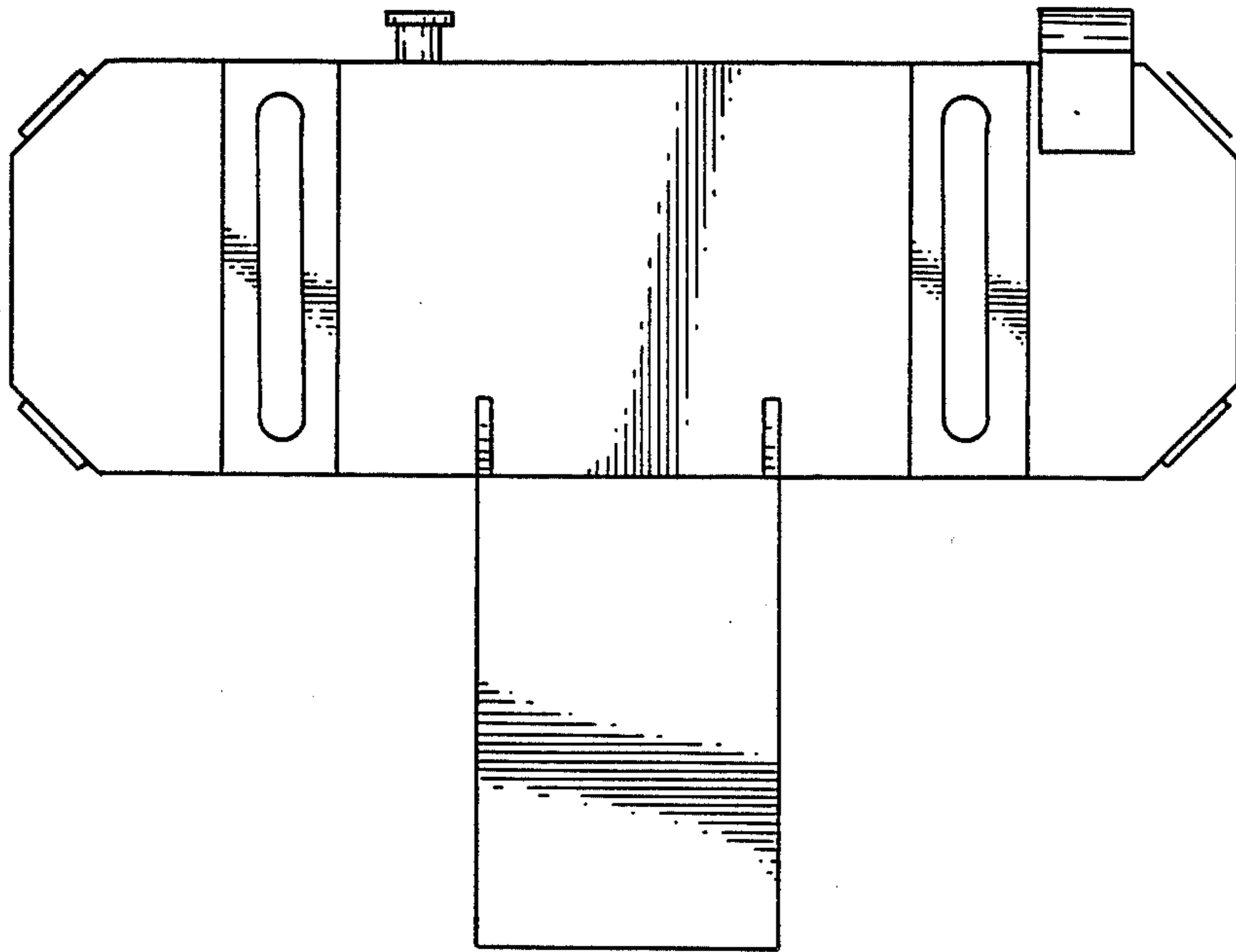


Fig. 4

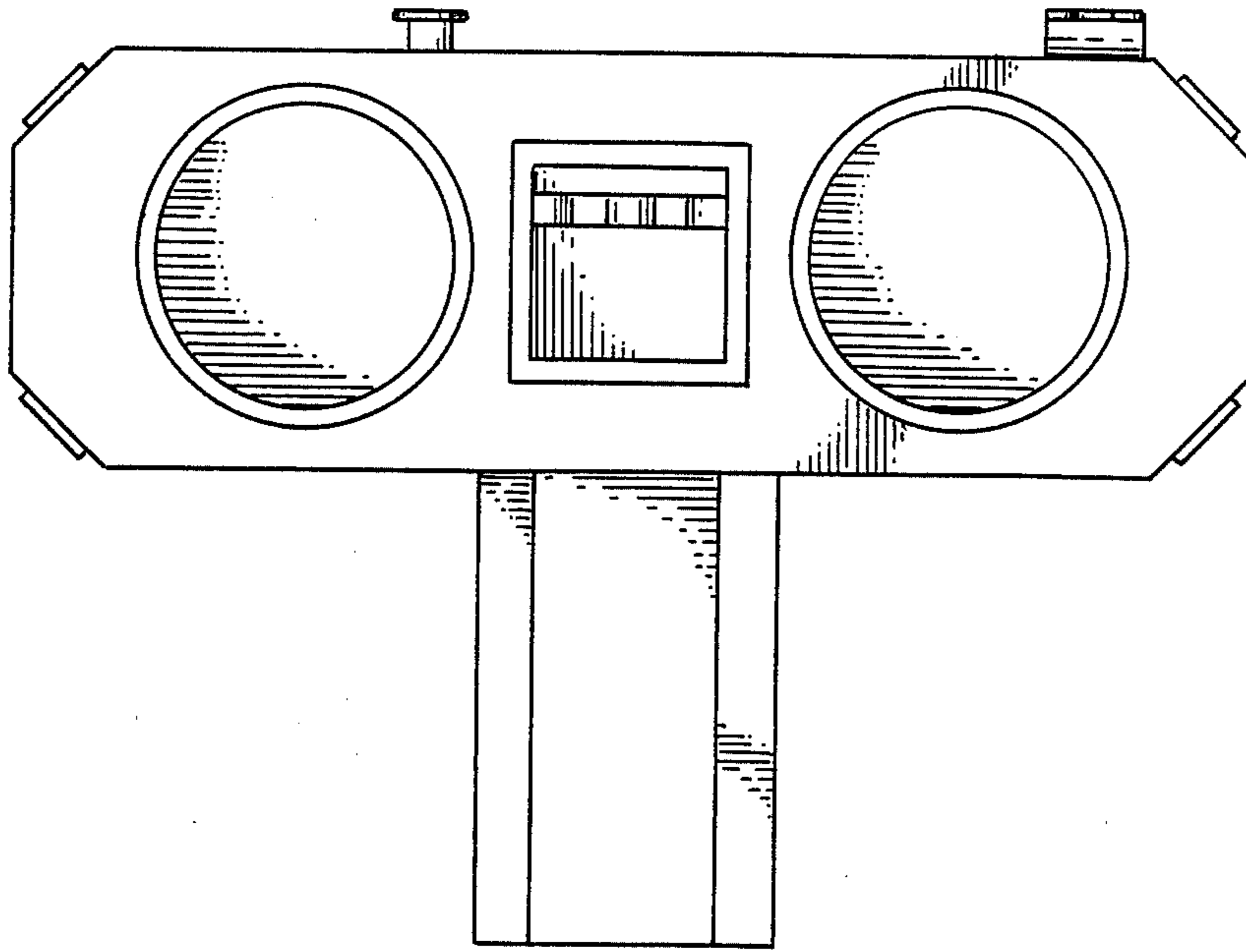


Fig. 5