

[54] **EMERGENCY UMBRELLA**

[56] **References Cited**

[75] **Inventors:** Blair F. Baldwin, New York, N.Y.;
William C. Lamson, Huntington,
Conn.

U.S. PATENT DOCUMENTS

D. 294,772	3/1988	Baldwin	D3/5
1,457,679	6/1923	Vincent	135/19.5
1,547,538	7/1925	Vincent	135/19.5
4,624,275	11/1986	Baldwin	135/19.5

[73] **Assignee:** Bexel Corporation

Primary Examiner—Louis S. Zarfaz
Attorney, Agent, or Firm—Burgess, Ryan and Wayne

[**] **Term:** 14 Years

[57] **CLAIM**

The ornamental design for an emergency umbrella, as shown and described.

[21] **Appl. No.:** 126,292

DESCRIPTION

[22] **Filed:** Nov. 27, 1987

FIG. 1 is a perspective view of an emergency umbrella showing our new design in opened position;

[52] **U.S. Cl.** D3/5

FIG. 2 is a top plan view thereof;

[58] **Field of Search** D3/1-17;

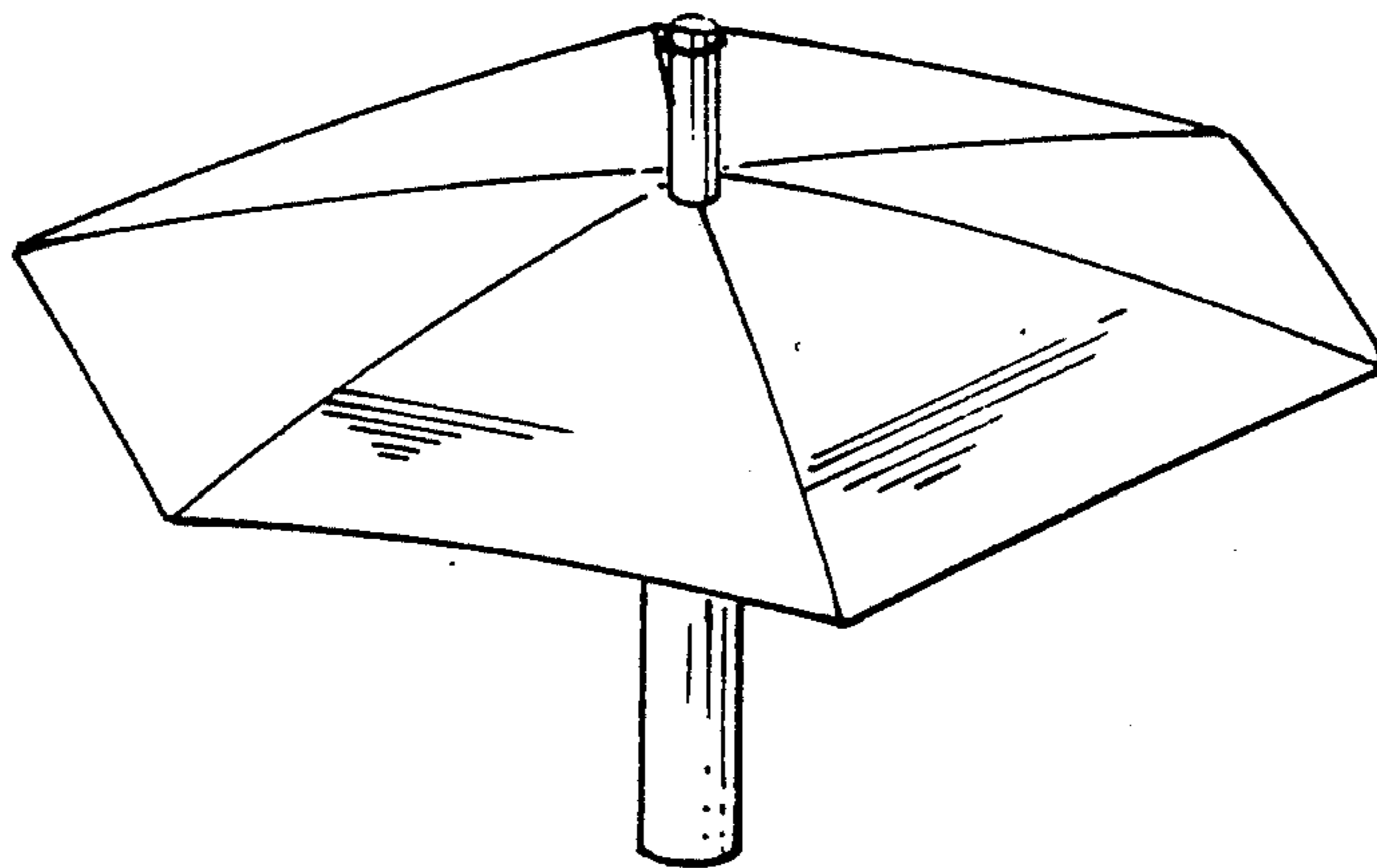
FIG. 3 is a bottom plan view thereof;

135/16, 17, 19.5, 20 R, 20 A, 20 M, 24, 25 R, 33

FIG. 4 is a side elevational view thereof; and

R, 33 C, 34, 70, 98, 101, 104, 118

FIG. 5 is a perspective view thereof in a closed position.



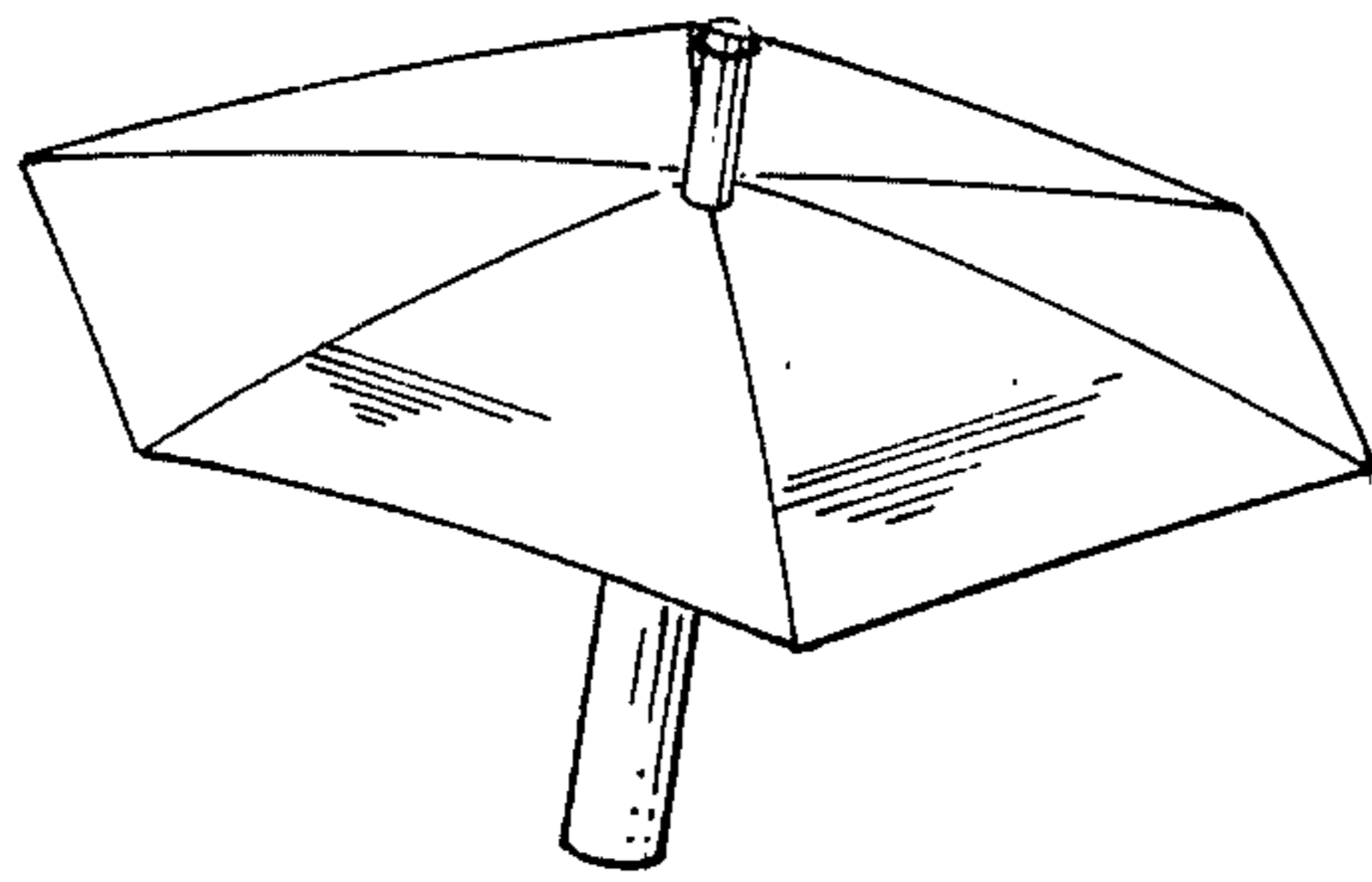


FIG. 1

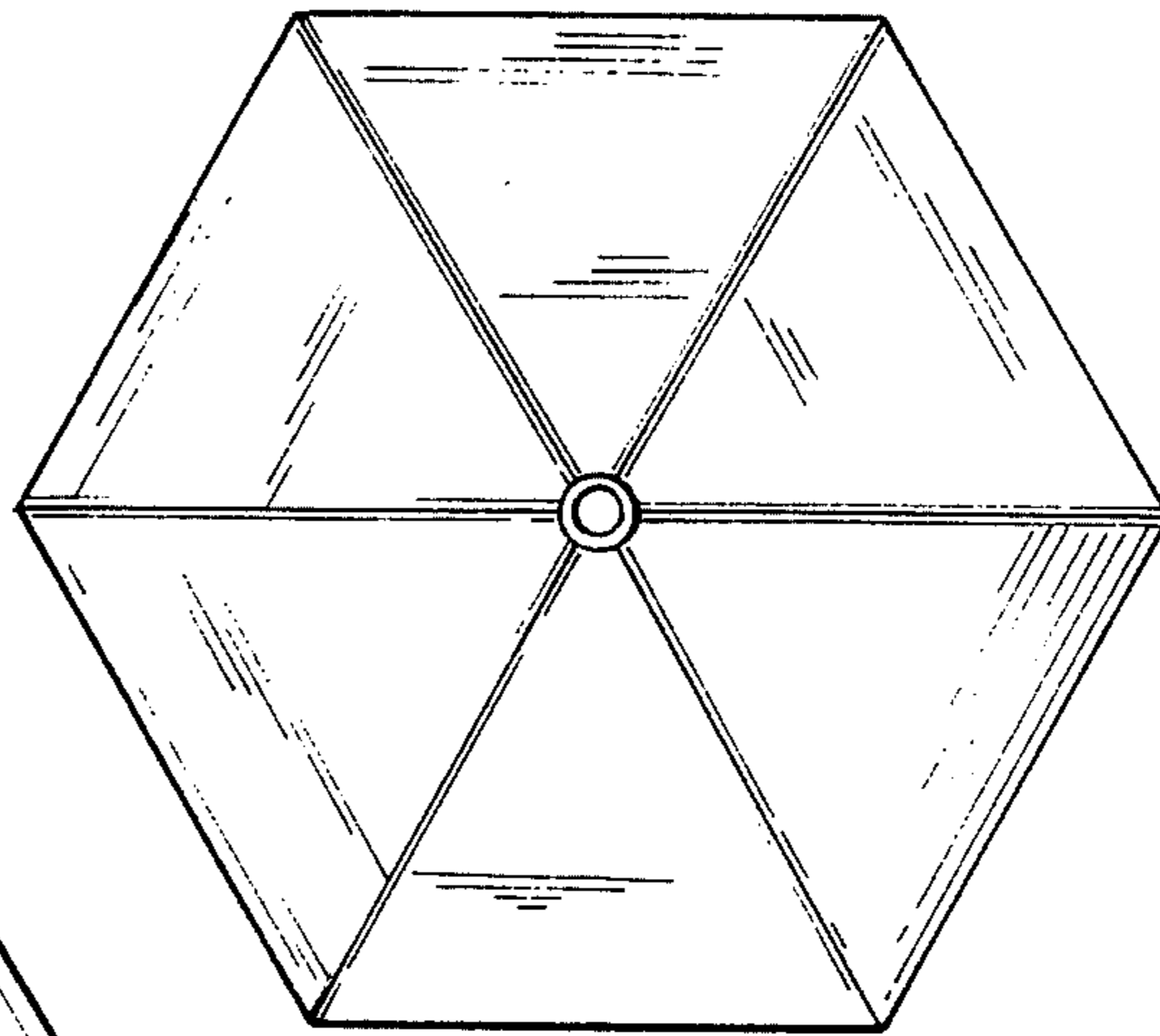


FIG. 2

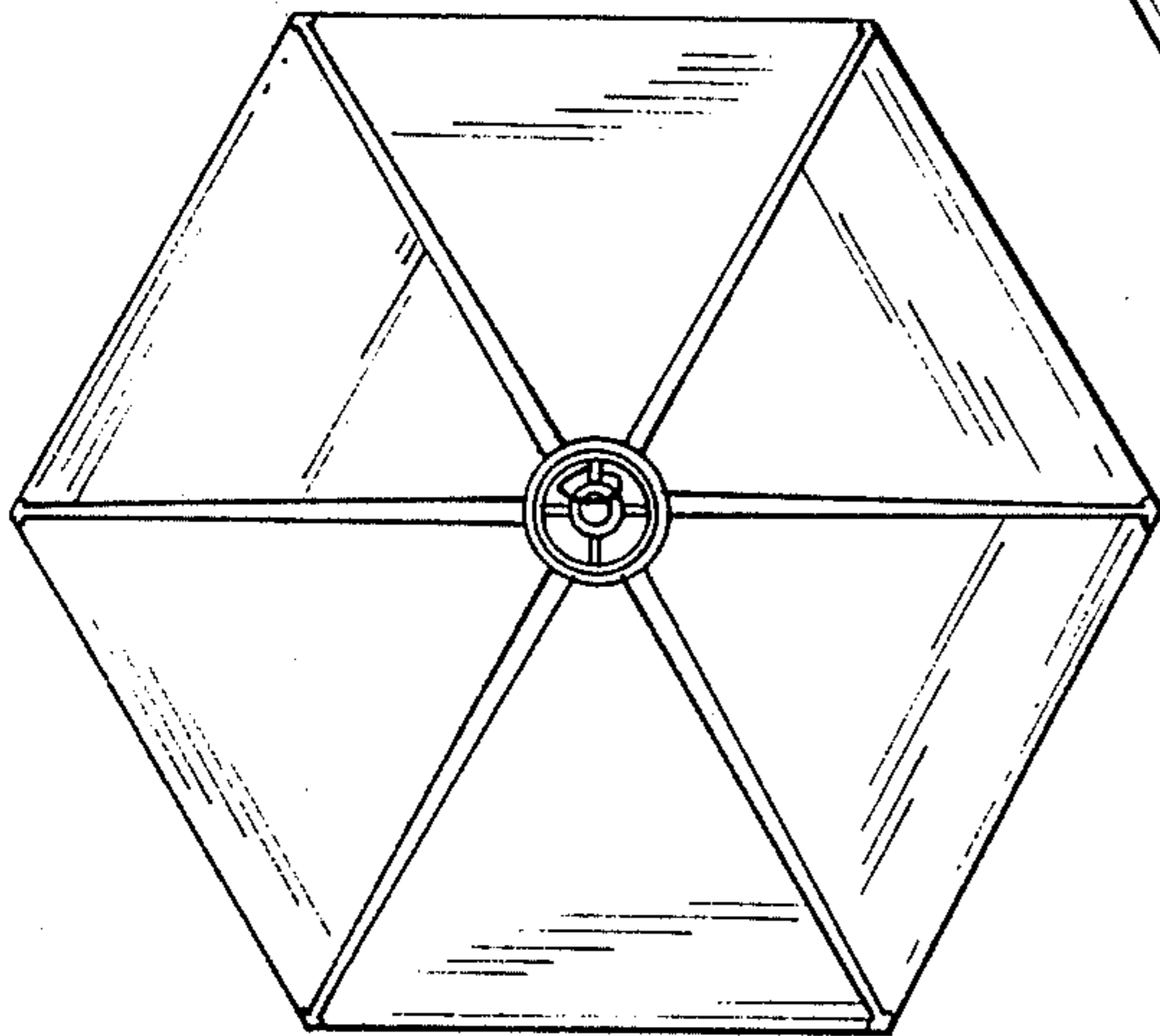


FIG. 3

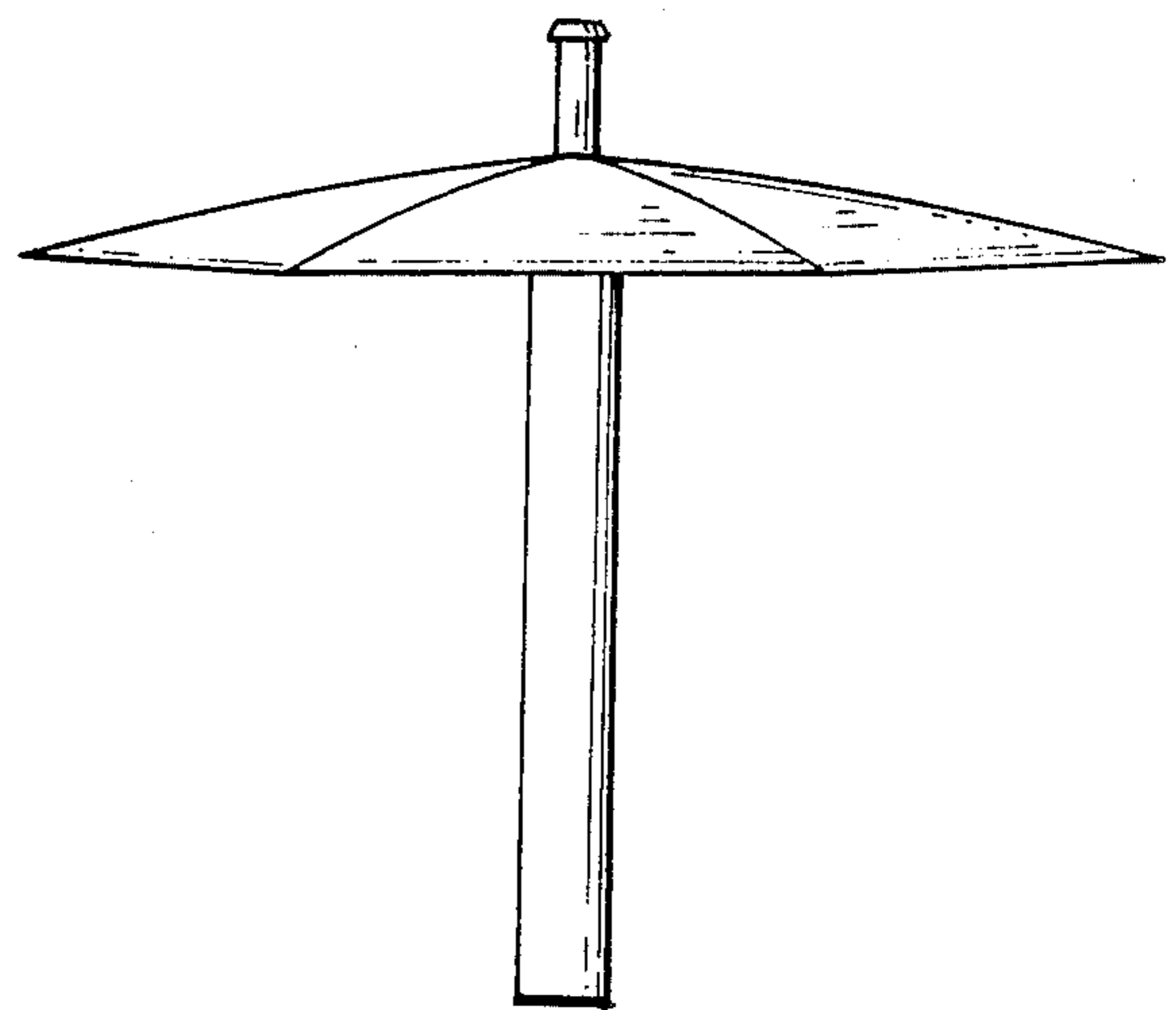


FIG. 4

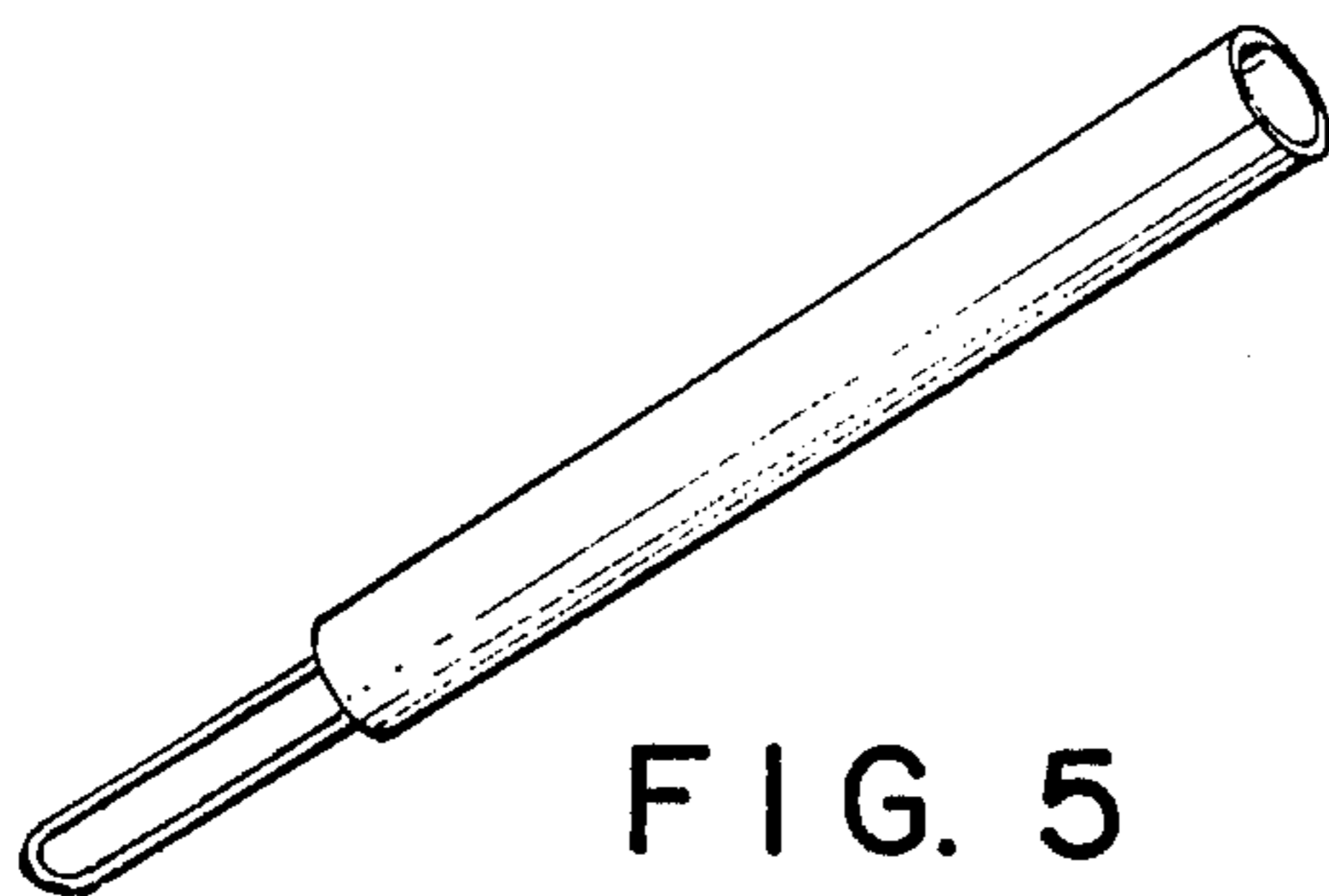


FIG. 5