

United States Patent [19]

Kawana

[11] Patent Number: **Des. 307,814**

[45] Date of Patent: **** May 8, 1990**

[54] **COMPACT LIFT FOR RAISING PALLETS OR OTHER LOADS**

[75] Inventor: **Yusuke Kawana, Otowa, Japan**

[73] Assignee: **Sugiyasu Industries, Co., Ltd., Takahama, Japan**

[**] Term: **14 Years**

[21] Appl. No.: **151,267**

[22] Filed: **Feb. 2, 1988**

[30] **Foreign Application Priority Data**

Dec. 3, 1987 [JP] Japan 62-49641

[52] U.S. Cl. **D34/31**

[58] Field of Search D34/28, 31; 254/9 C, 254/9 B, 122, 2 B, 90; 187/18, 8.43; 248/588, 421

[56] **References Cited**

U.S. PATENT DOCUMENTS

3,110,476 11/1963 Farris 254/122

4,180,252 12/1979 Cushenbery 254/9 B

4,558,648 12/1985 Franklin et al. 248/588
4,577,821 3/1986 Edmo et al. 187/18
4,724,930 2/1988 Van Lierop 187/8.43

Primary Examiner—Wallace R. Burke
Assistant Examiner—Kay H. Chin
Attorney, Agent, or Firm—Lahive & Cockfield

[57] **CLAIM**

The ornamental design for a compact lift for raising pallets or other loads, as shown and described.

DESCRIPTION

FIG. 1 is a top and left side perspective view of a compact lift for raising pallets or other loads showing my new design;

FIG. 2 is a left side elevational view thereof;

FIG. 3 is a right side elevational view thereof;

FIG. 4 is a top plan view thereof.

FIG. 5 is a bottom plan view thereof.

FIG. 6 is a rear elevational view thereof.

FIG. 7 is a front elevational view thereof.

FIG. 8 is a front elevational view thereof showing the compact lift in folded condition.

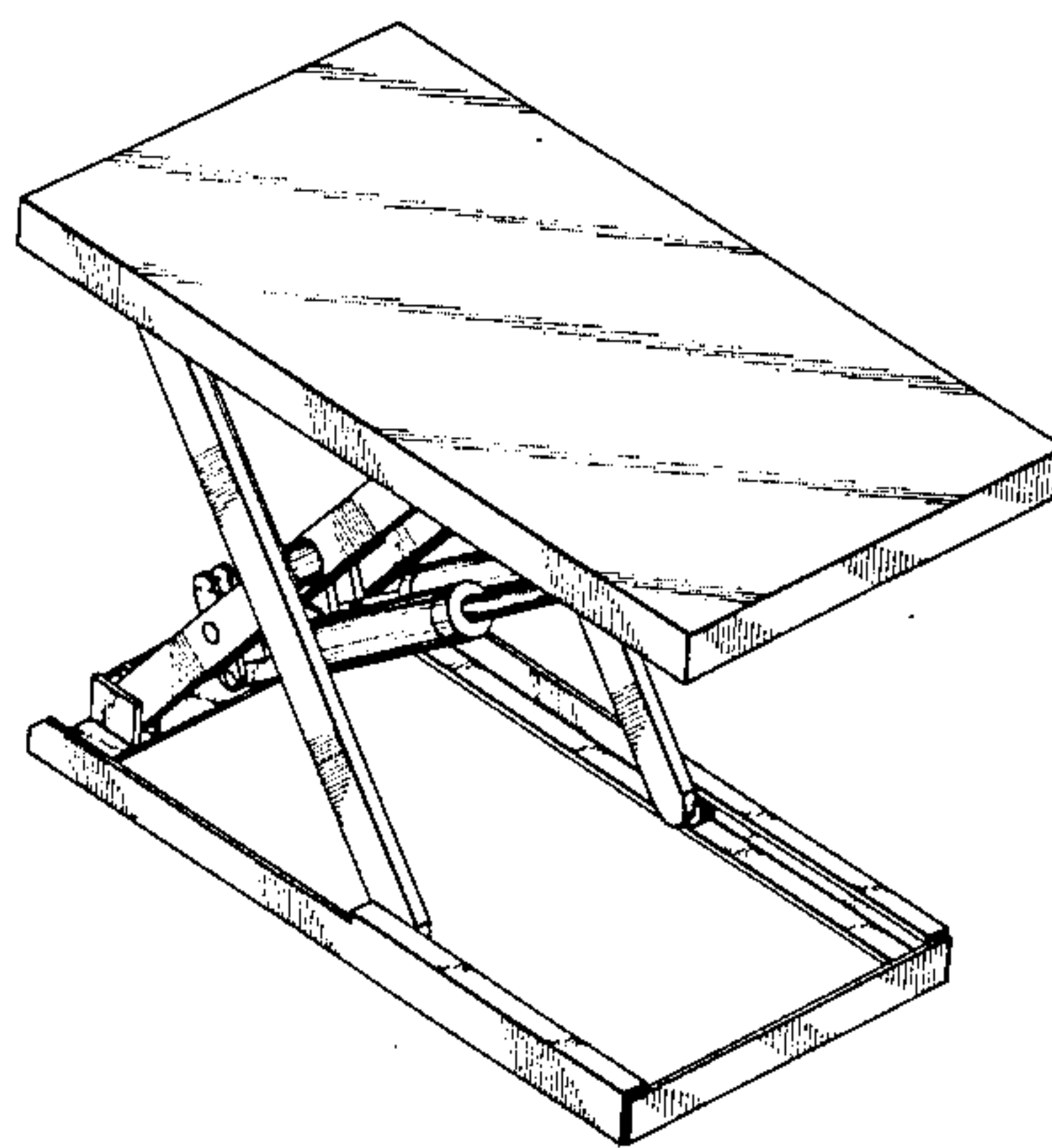


FIG. 1

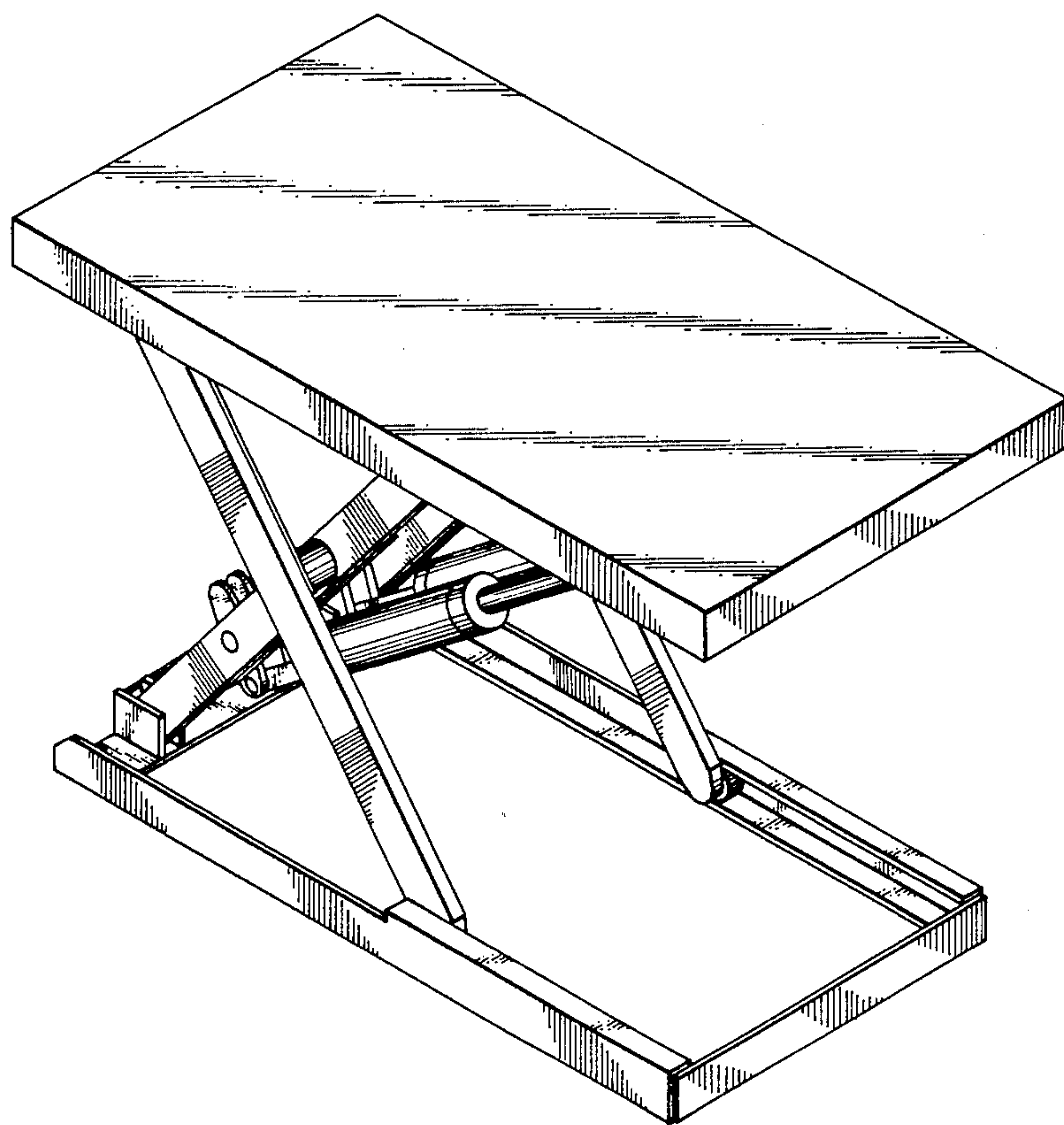


FIG. 2

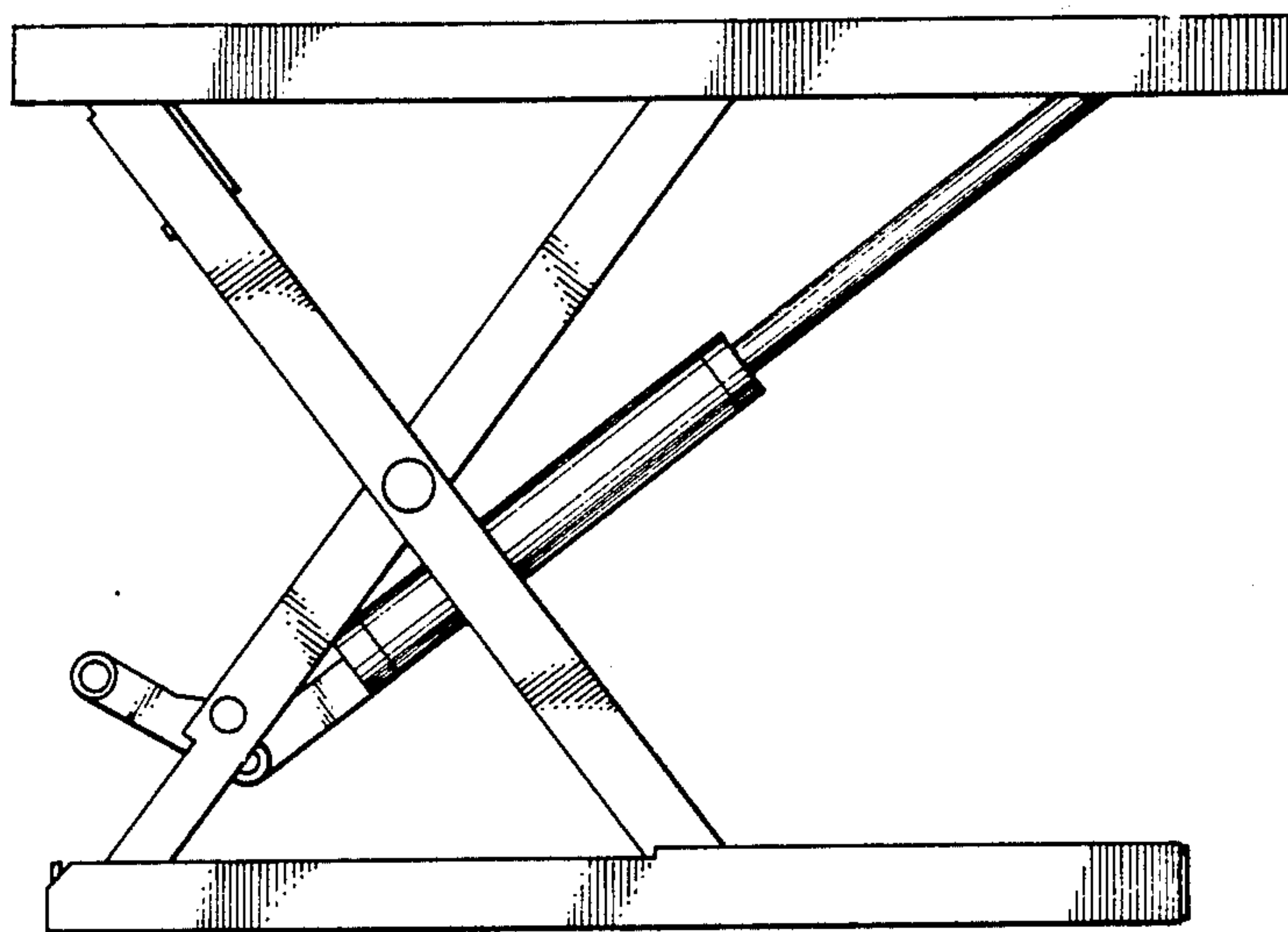


FIG. 3

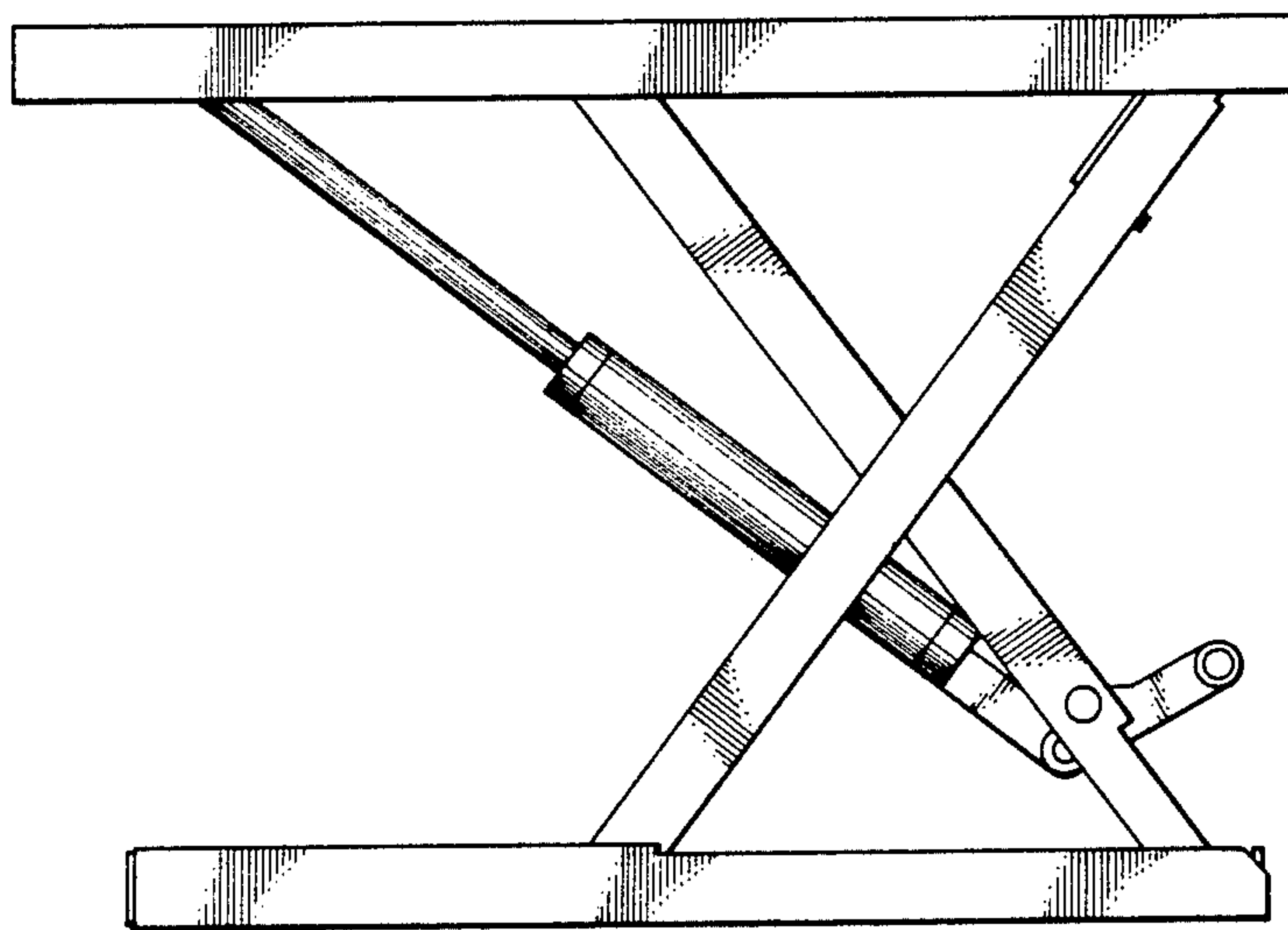


FIG. 4

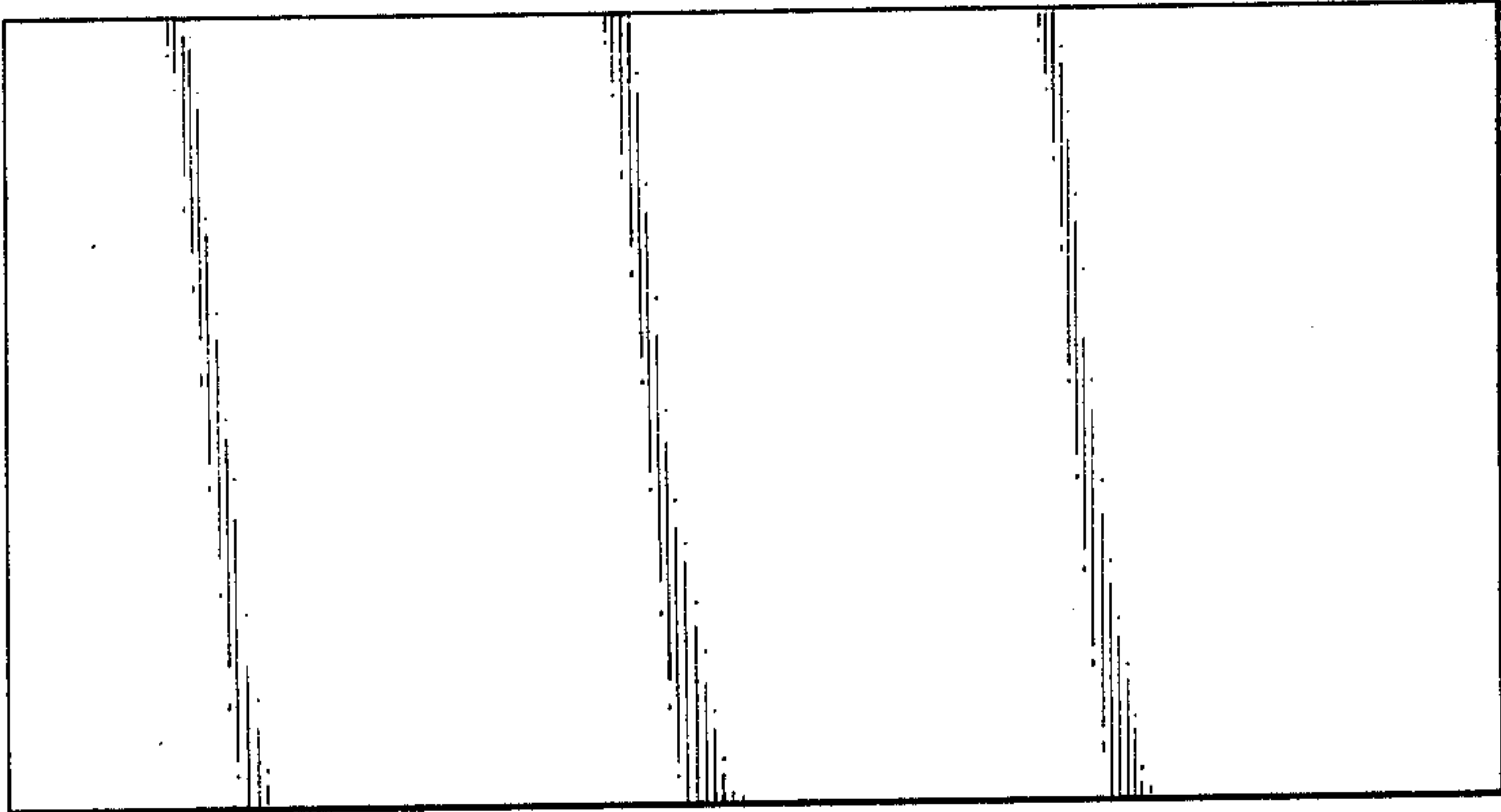


FIG. 5

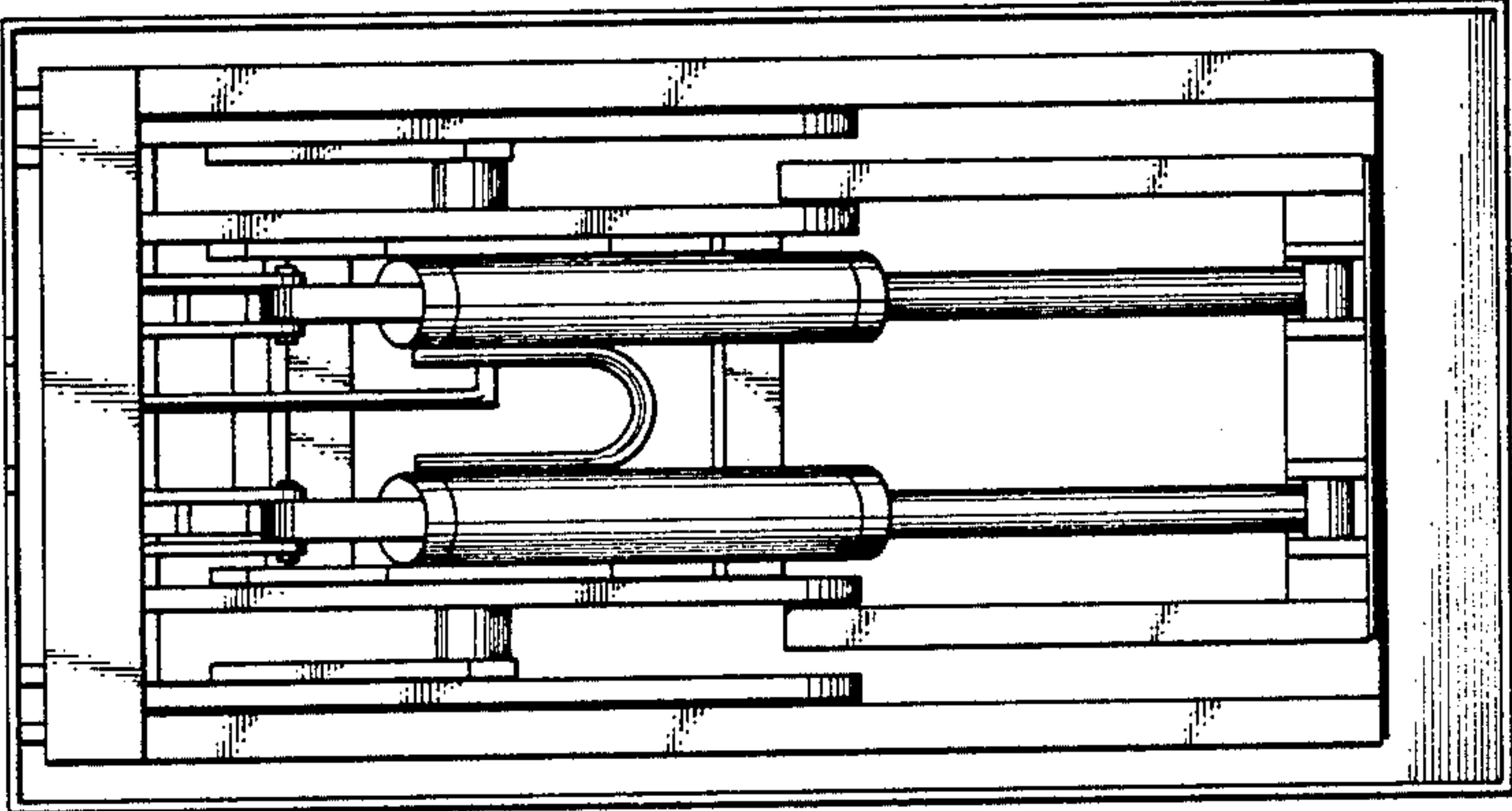


FIG. 6

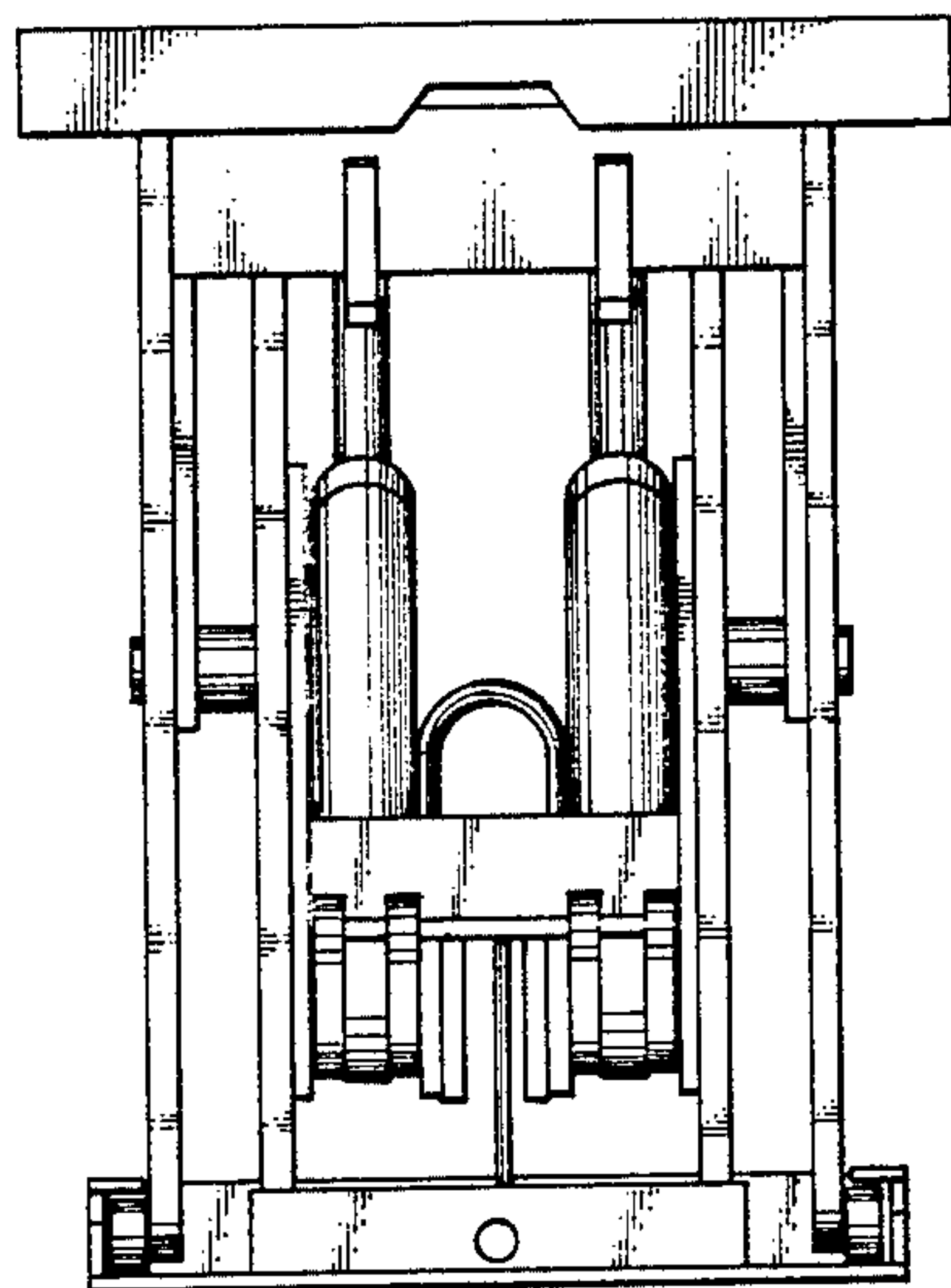


FIG. 7

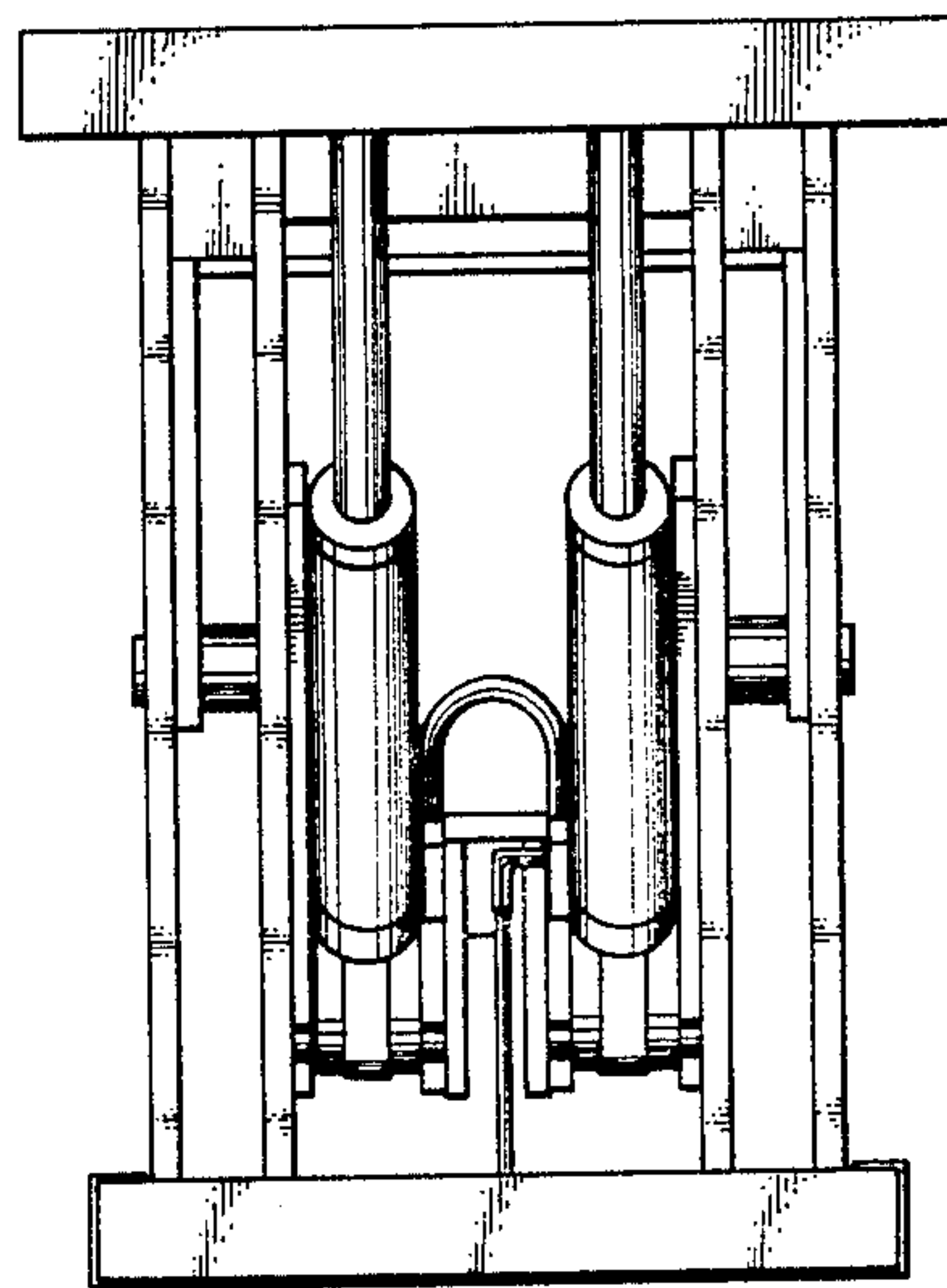


FIG. 8

