

[54] **CONTAINER TRANSFER LIFT**

[75] **Inventor: Shunji Isogai, 5-25 Kanda-cho, Hekinan-shi, Aichi-ken, Japan**

[73] **Assignee: Shunji Isogai, Hekinan, Japan**

[**] **Term: 14 Years**

[21] **Appl. No.: 190,939**

[22] **Filed: May 6, 1988**

[30] **Foreign Application Priority Data**

Mar. 19, 1988 [JP] Japan 63-11160
[52] **U.S. Cl.** D34/28; D34/31
[58] **Field of Search** D34/28, 31; 254/9 C, 254/122, 8 R, 89 R, 423; 187/1 R, 8.43, 8.41; 182/148, 18; 414/608, 498, 471

[56] **References Cited**

U.S. PATENT DOCUMENTS

3,341,042 9/1967 Carder 414/471

Primary Examiner—James M. Gandy

Assistant Examiner—Kay H. Chin

Attorney, Agent, or Firm—Lahive & Cockfield

[57] **CLAIM**

The ornamental design for a container transfer lift, as shown and described.

DESCRIPTION

FIG. 1 is a front perspective view of a container transfer lift showing my new design;

FIG. 2 is a front perspective view with extended load support thereof;

FIG. 3 is a front elevational view thereof.

FIG. 4 is a rear elevational view thereof.

FIG. 5 is a top plan view thereof.

FIG. 6 is a bottom plan view thereof.

FIG. 7 is a left side elevational view thereof; and

FIG. 8 is a right side elevational view thereof.

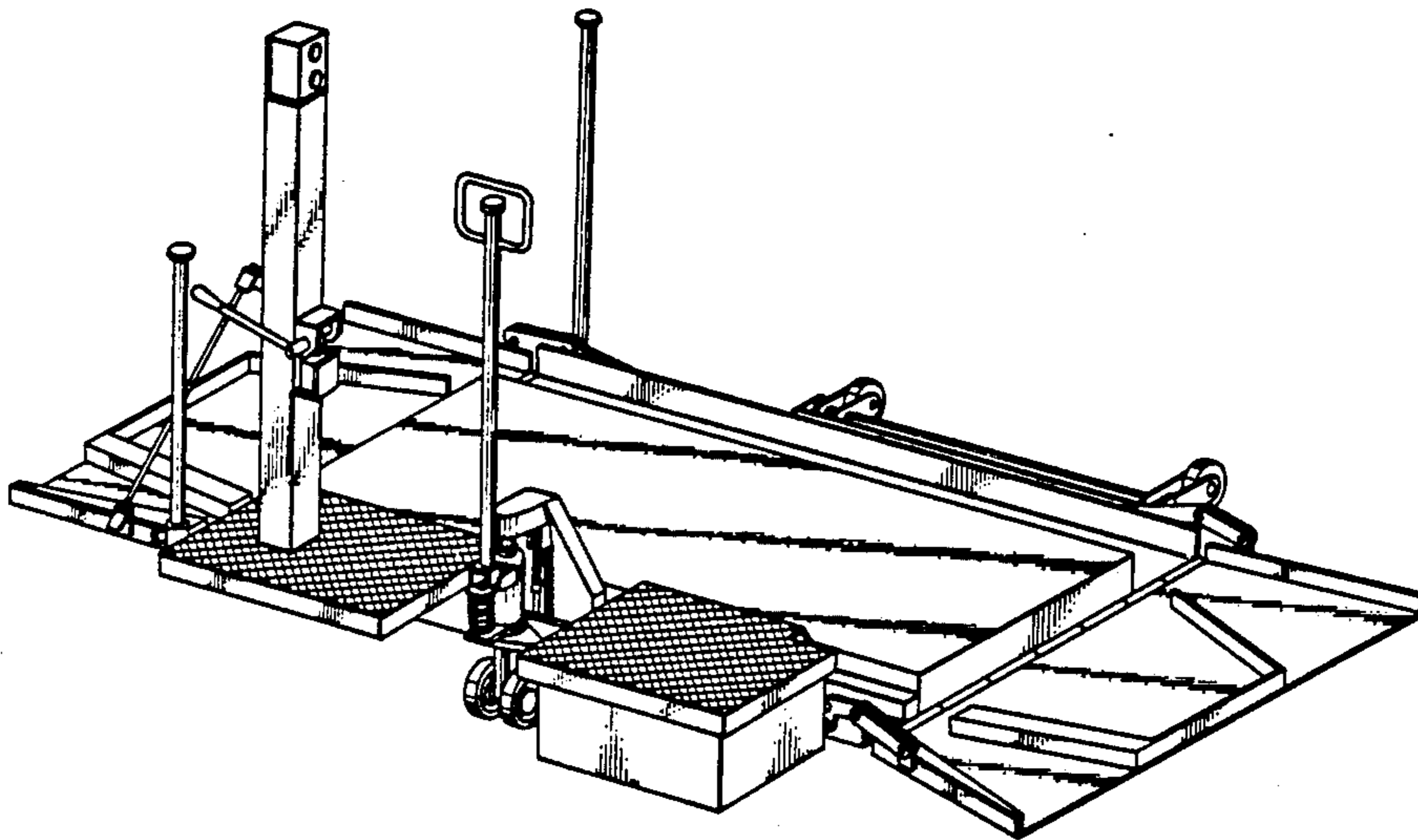


FIG. 1

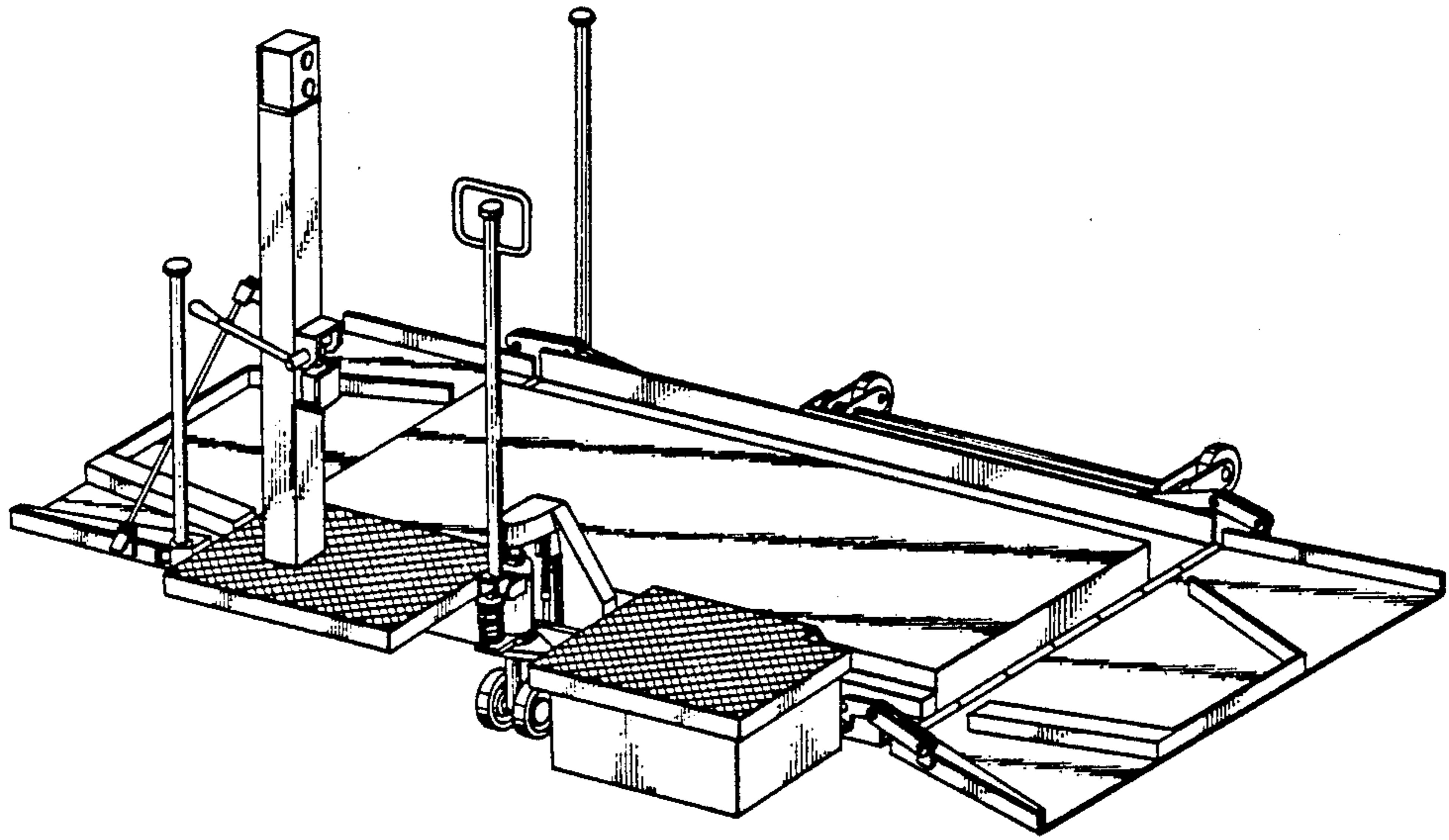


FIG. 2

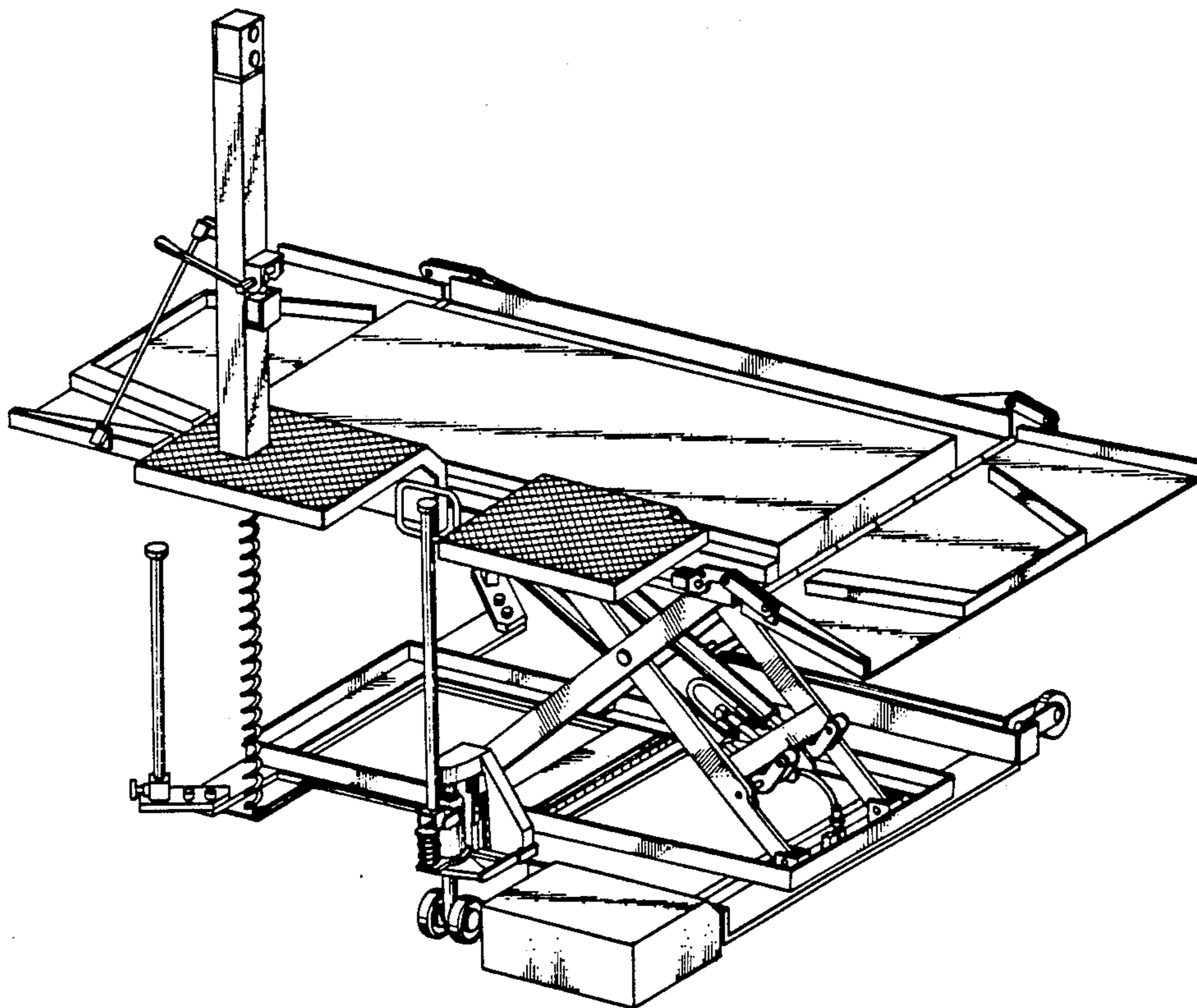


FIG. 3

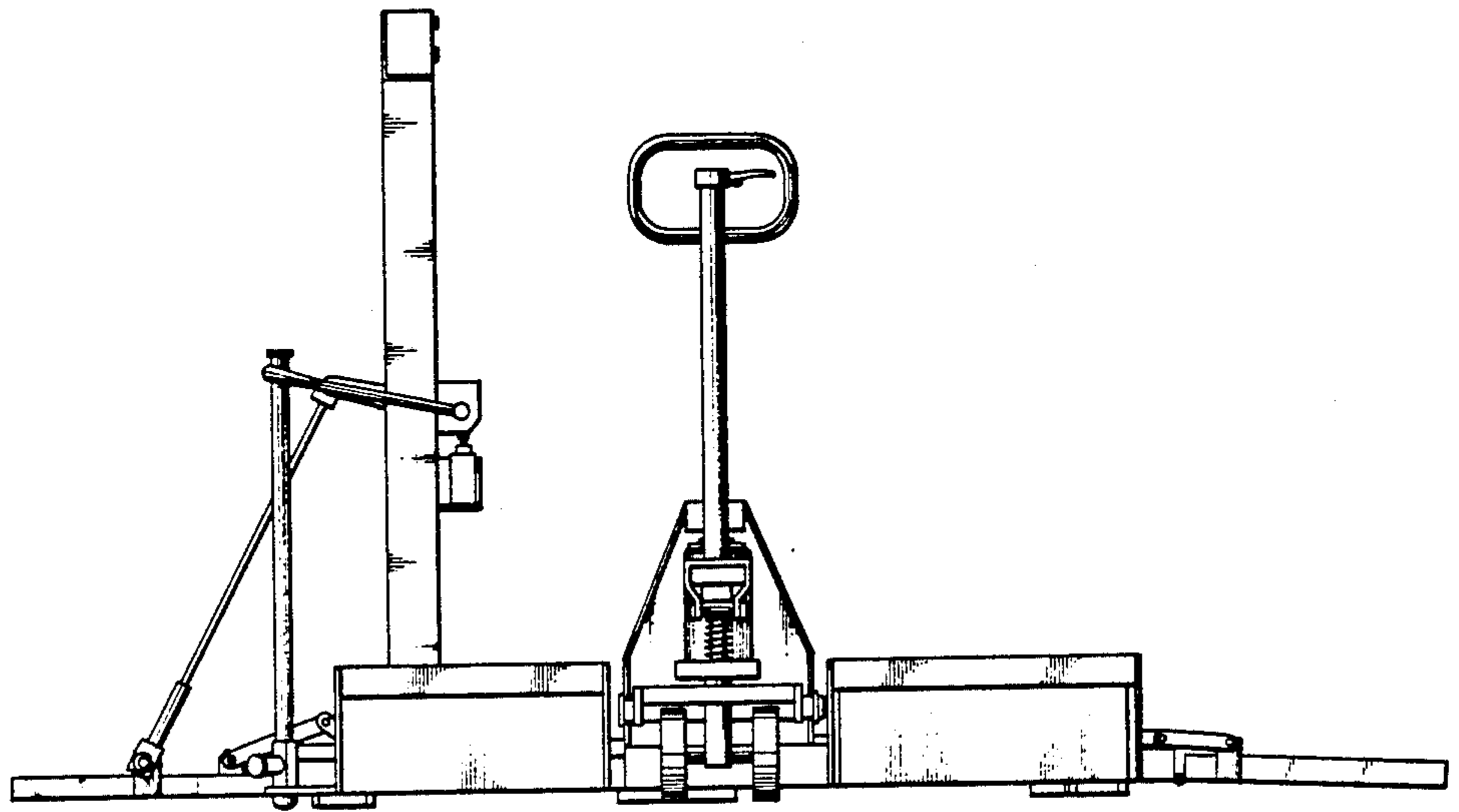


FIG. 4

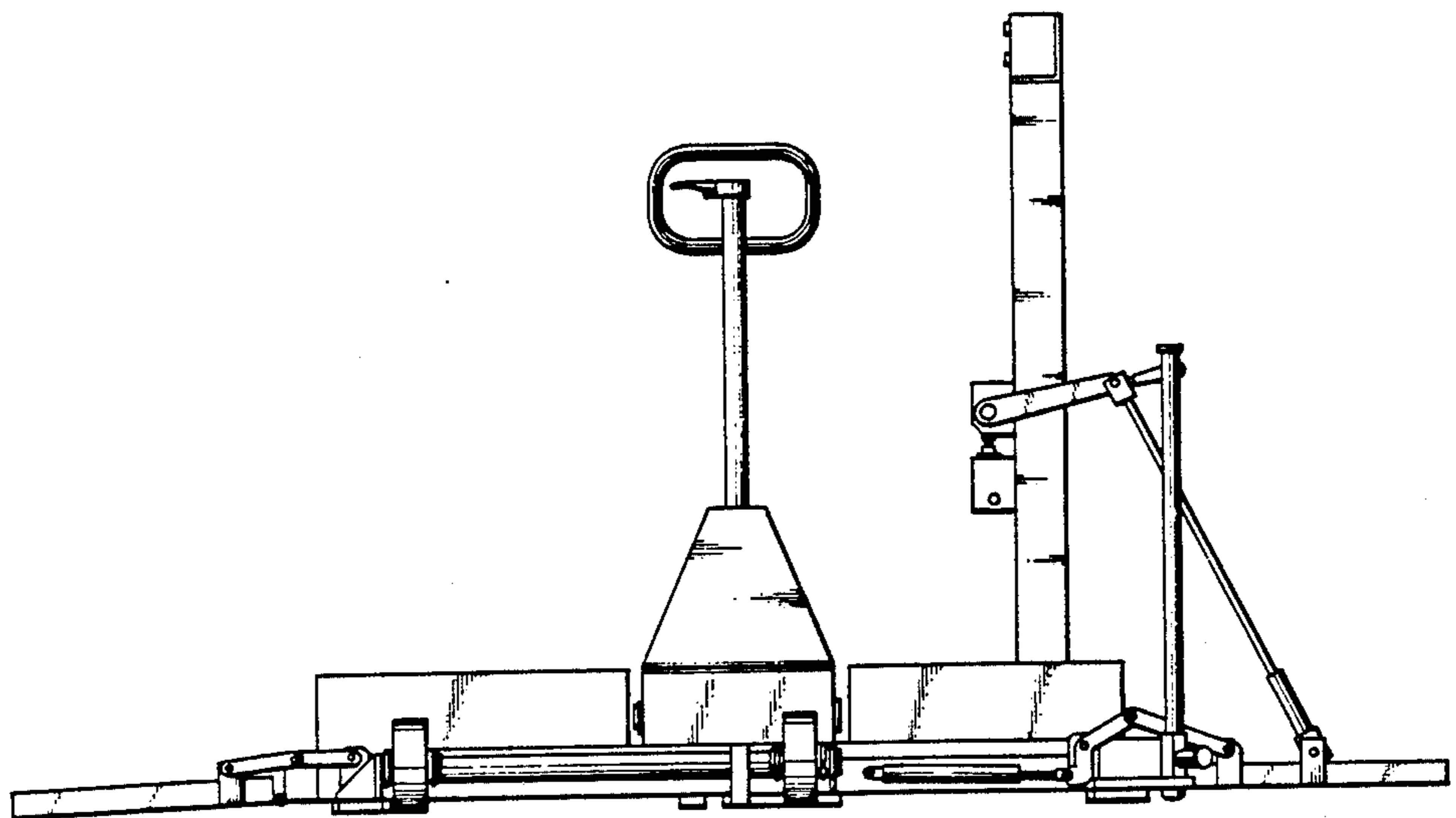


FIG. 5

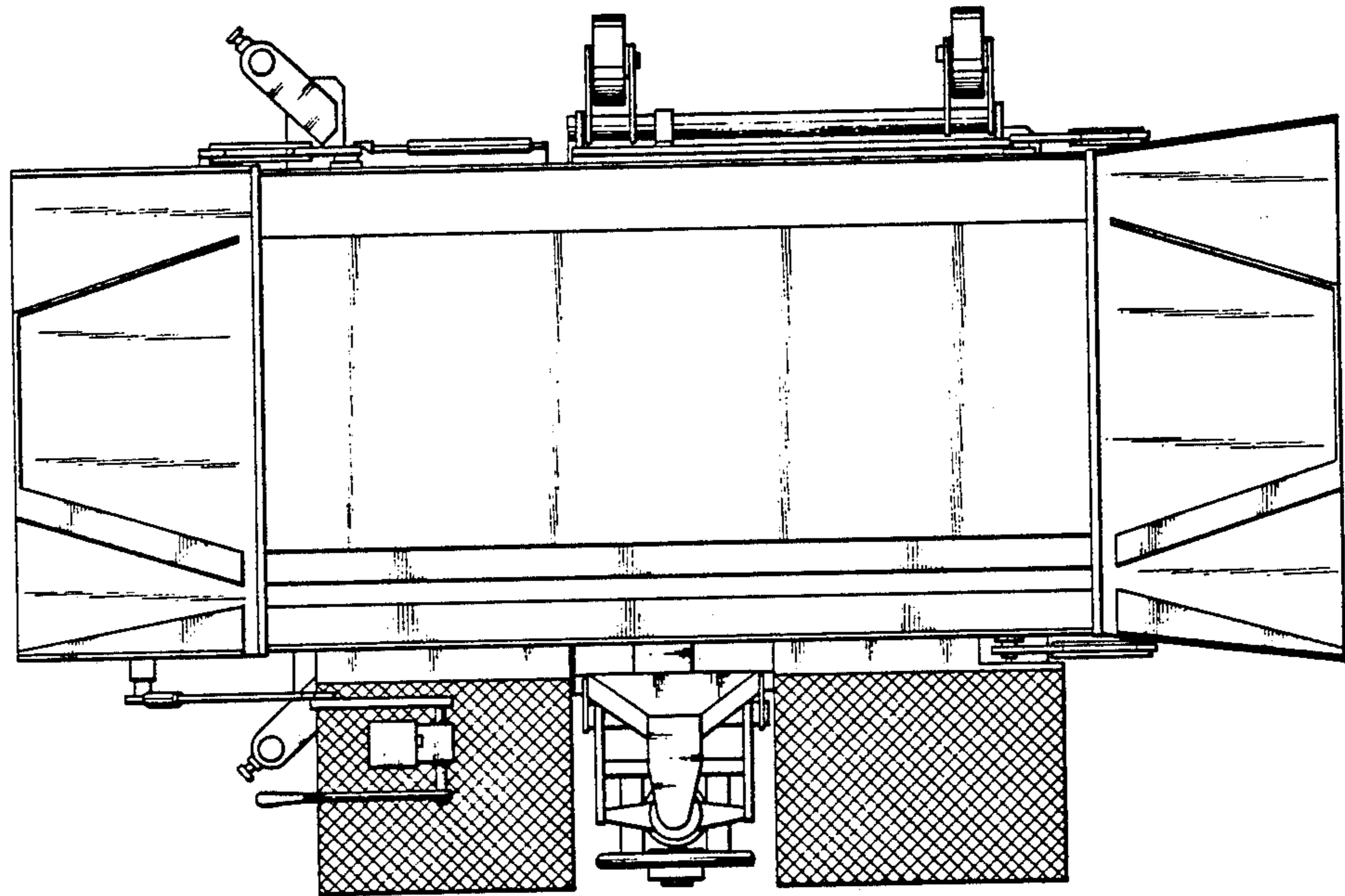


FIG. 6

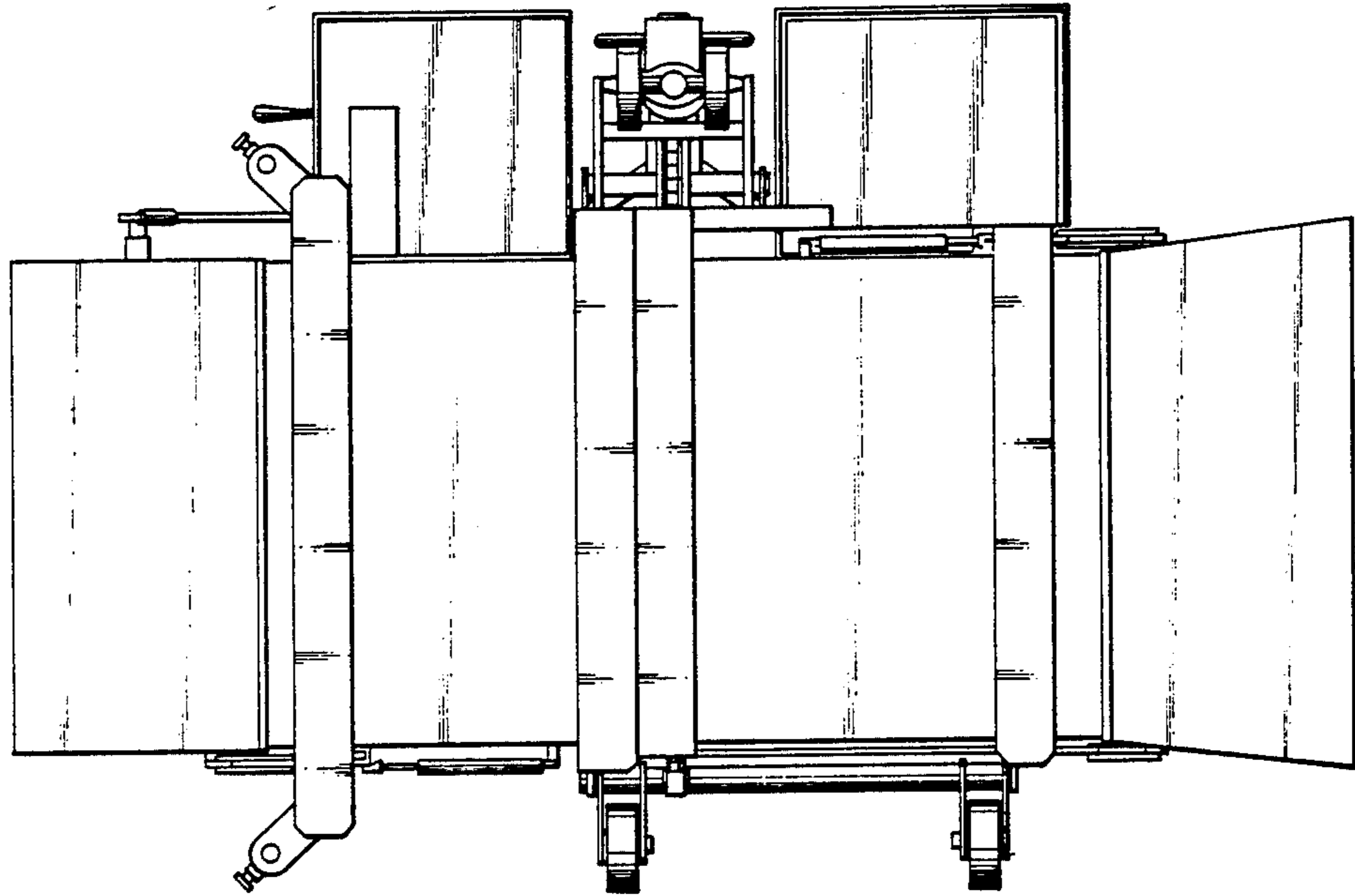


FIG. 7

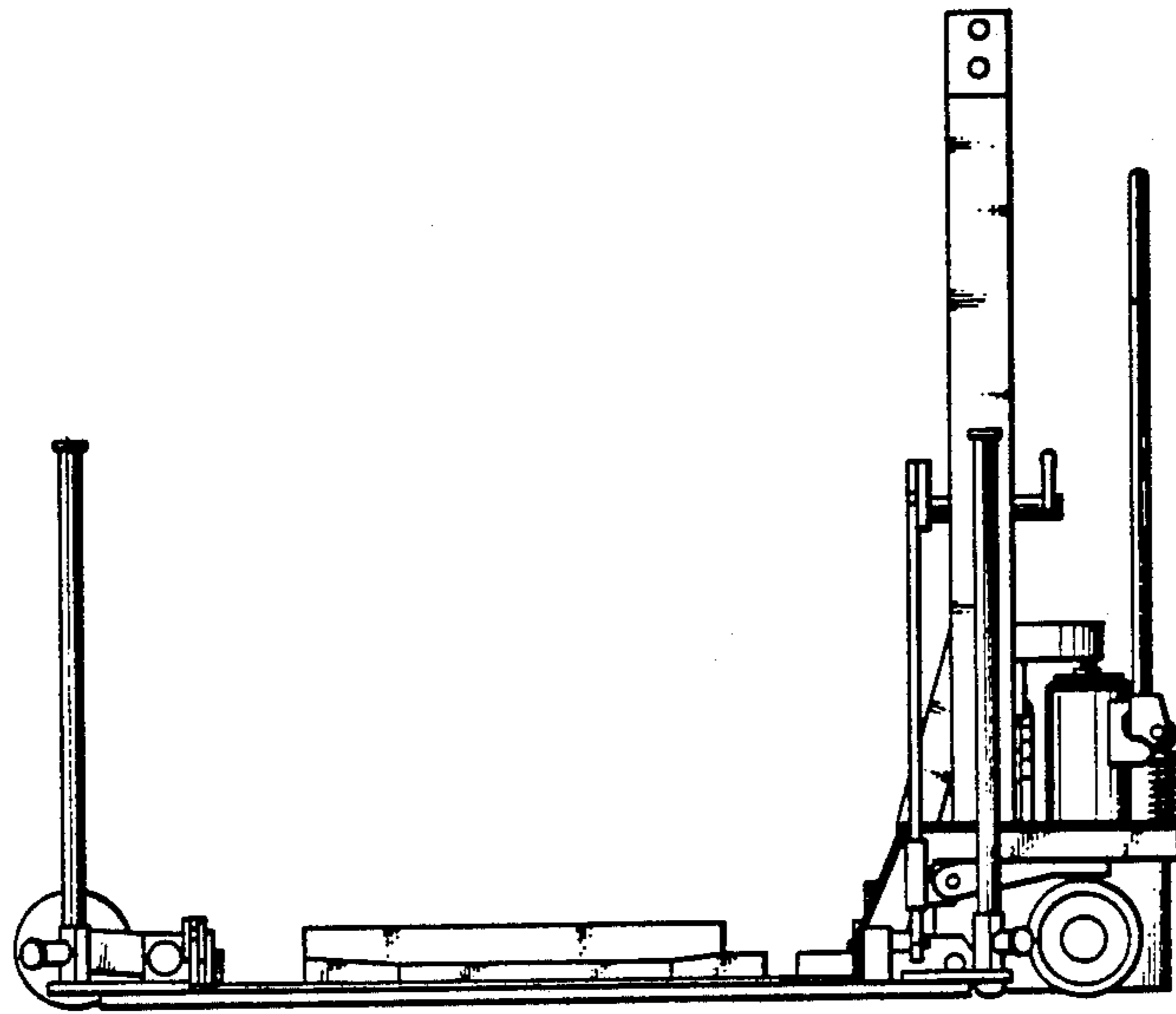


FIG. 8

