

[54] **DUO EYE SHADOW COMPACT**
 [75] Inventor: Ellen Gavin, Atlantic Highlands, N.J.
 [73] Assignee: L'Oreal, S.A., Paris, France
 [**] Term: 14 Years
 [21] Appl. No.: 33,488
 [22] Filed: Apr. 1, 1987
 [52] U.S. Cl. D28/83
 [58] Field of Search D28/38, 61, 73-91;
 D3/39; D9/420; 220/DIG. 26; 362/135-137;
 206/235, 385, 581, 823; 132/286, 288, 293, 294,
 27-301, 303-305, 313-318

D. 293,837 1/1988 Simonetti D28/83
 2,010,909 8/1935 Zell 220/DIG. 26
 3,776,245 12/1973 Hayes et al. 132/304

Primary Examiner—Louis S. Zarfes
Attorney, Agent, or Firm—Brumbaugh, Graves,
 Donohue & Raymond

[57] **CLAIM**

The ornamental design for a duo eye shadow compact, as shown and described.

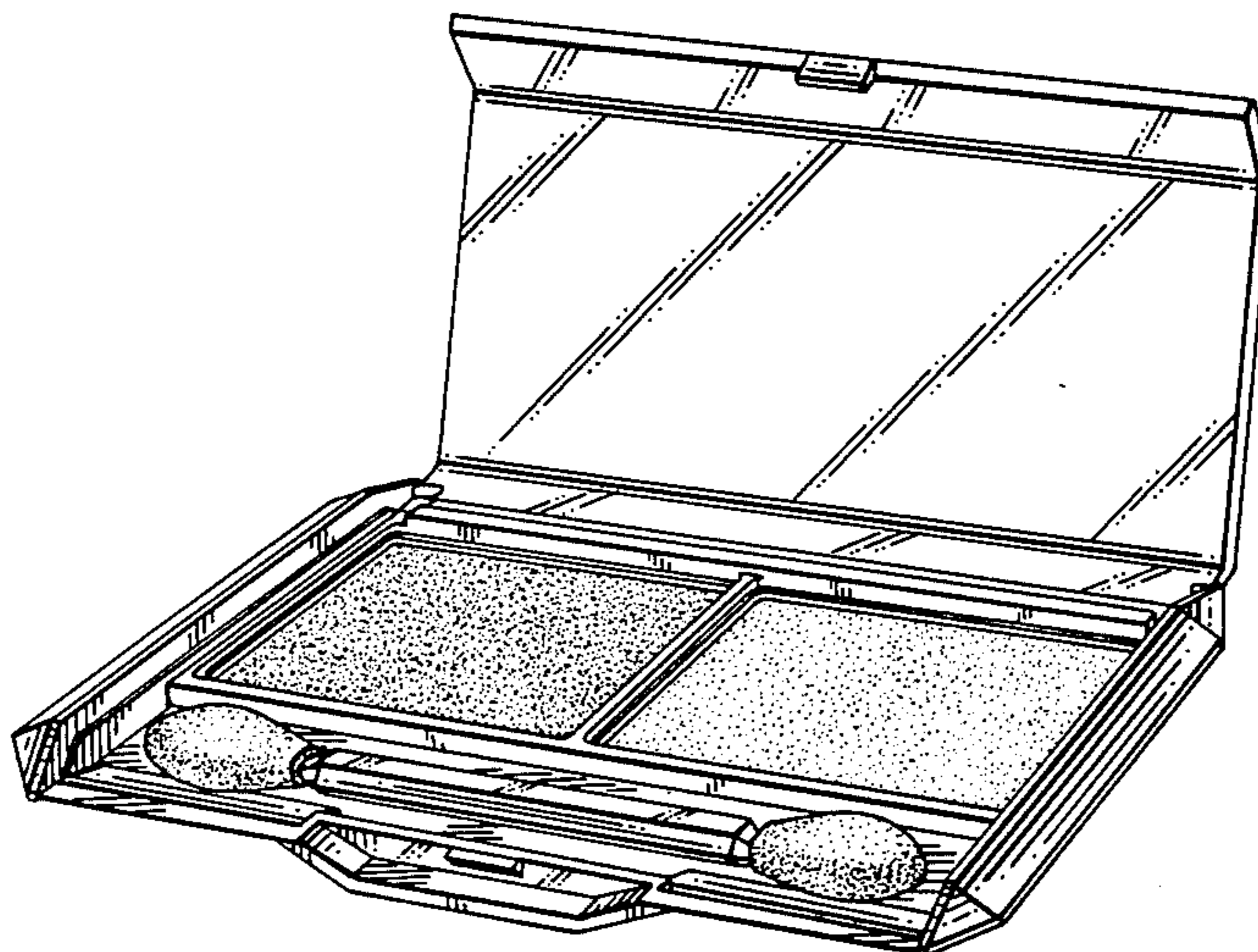
DESCRIPTION

FIG. 1 is a top plan view of a duo eye shadow compact showing my new design;
 FIG. 2 is a side elevational view;
 FIG. 3 is a rear elevational view;
 FIG. 4 is a front elevational view;
 FIG. 5 is a bottom plan view; and
 FIG. 6 is a perspective view of the compact in open condition.

[56] **References Cited**

U.S. PATENT DOCUMENTS

D. 93,317 9/1934 Zell D28/78
 D. 280,245 8/1985 Buchet D28/78



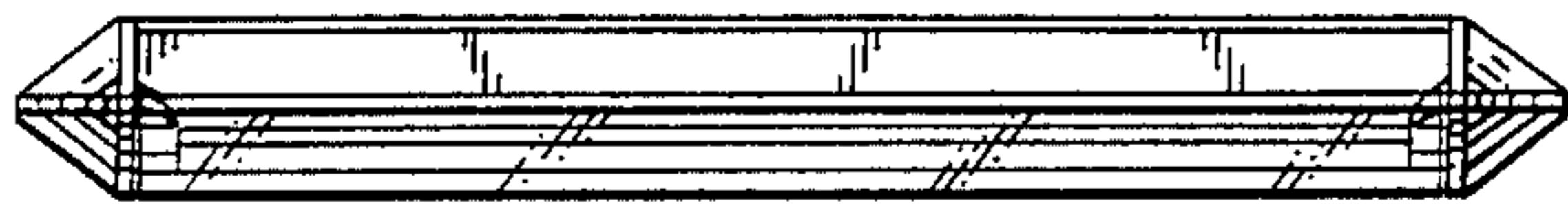


FIG. 3

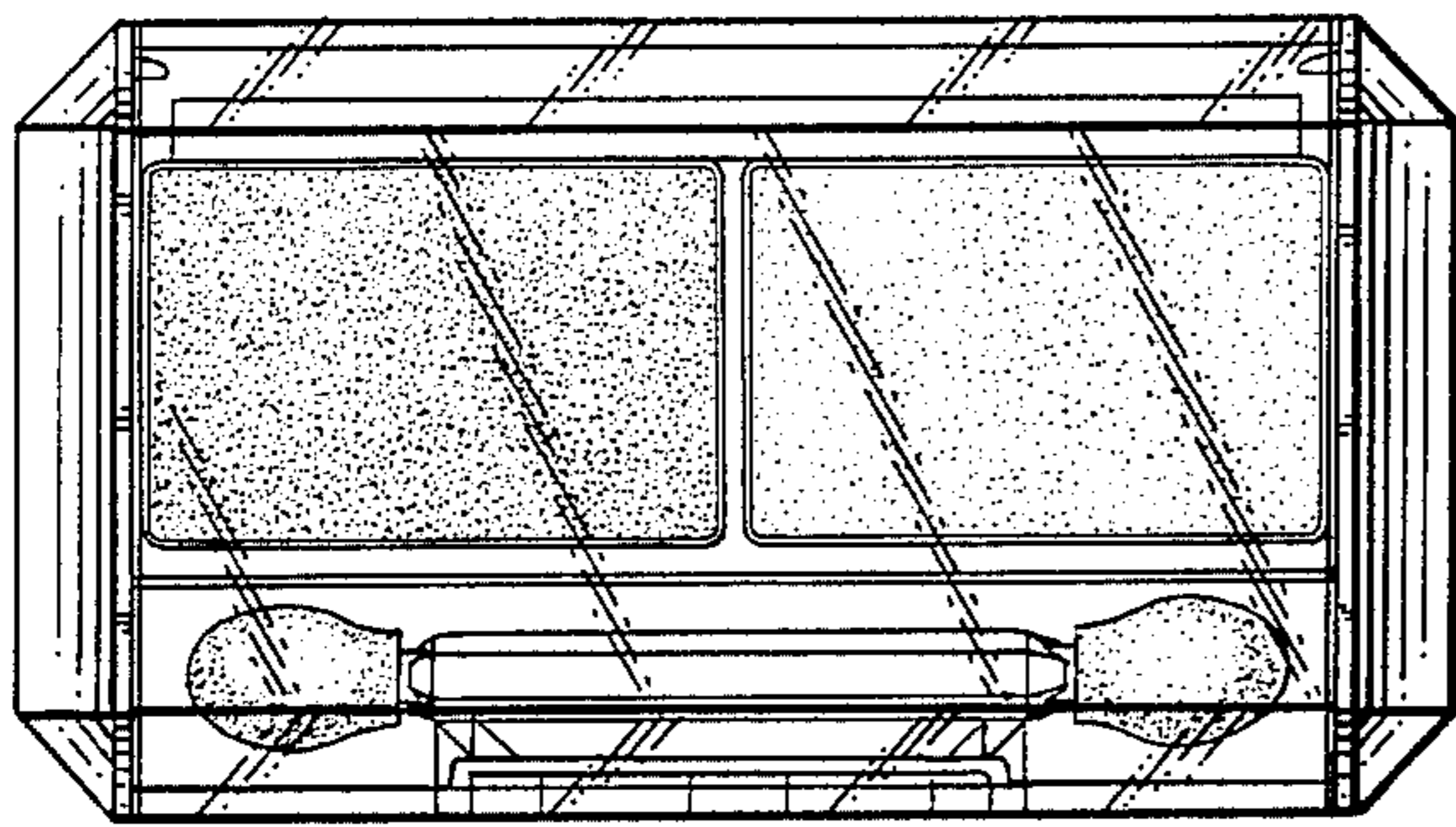


FIG. 1

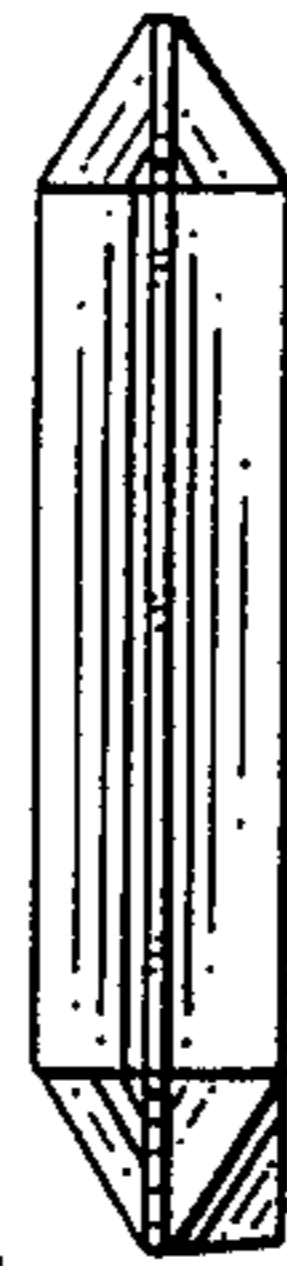


FIG. 2



FIG. 4

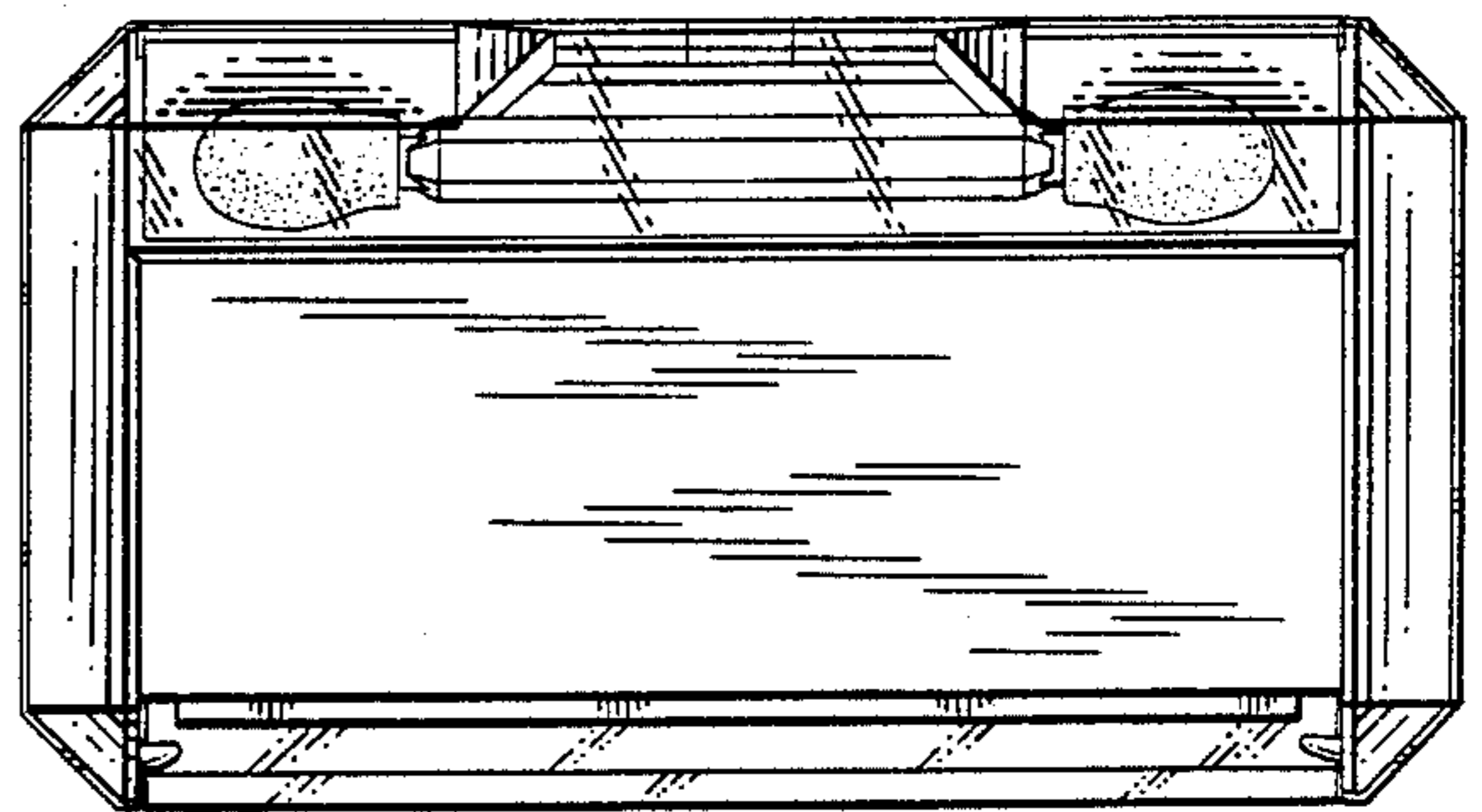


FIG. 5

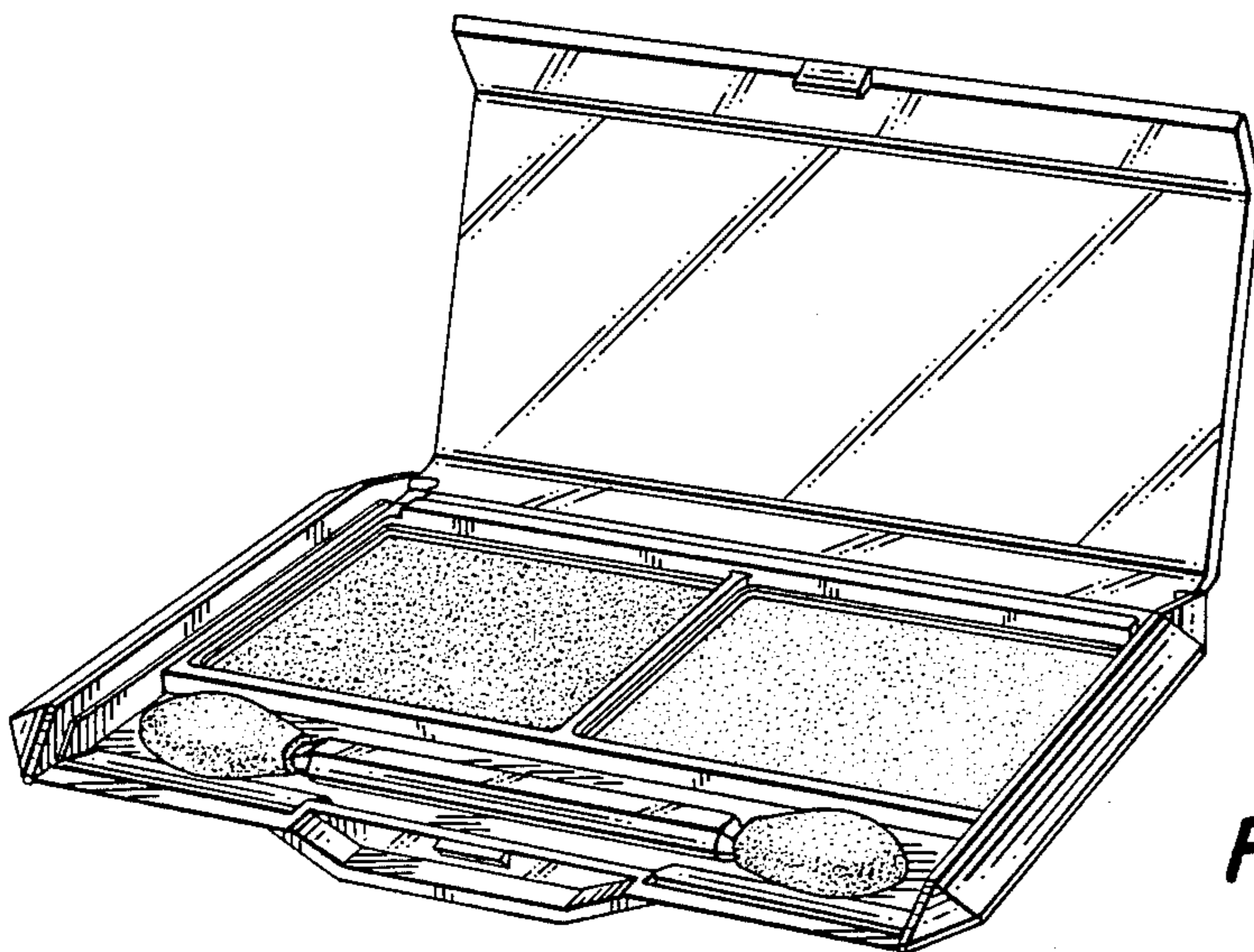


FIG. 6