

[54] **LAMP**

[75] **Inventor: Raymond J. Noe, Highland Heights, Ohio**

[73] **Assignee: General Electric Company, Schenectady, N.Y.**

[\*] **Notice: The portion of the term of this patent subsequent to Apr. 24, 2004 has been disclaimed.**

[\*\*] **Term: 14 Years**

[21] **Appl. No.: 930,825**

[22] **Filed: Nov. 14, 1986**

[52] **U.S. Cl. .... D26/2**

[58] **Field of Search ..... D26/1, 2, 3; 313/315, 313/317, 318, 110, 113, 116, 491, 493, 567, 569, 25; 315/56, 57, 58, 73; 362/216, 297, 307, 309, 310, 363**

[56] **References Cited**

**U.S. PATENT DOCUMENTS**

D. 38,005 5/1906 Mygatt ..... D26/2  
D. 221,156 7/1971 Dorman et al. .... D26/2

**OTHER PUBLICATIONS**

General Electric PAR & R Lamps Brochure, 3-1975, p. 4, R Lamp.  
Light & Lighting, 10-1961, p. 312, High Pressure Mercury Reflector Lamp.

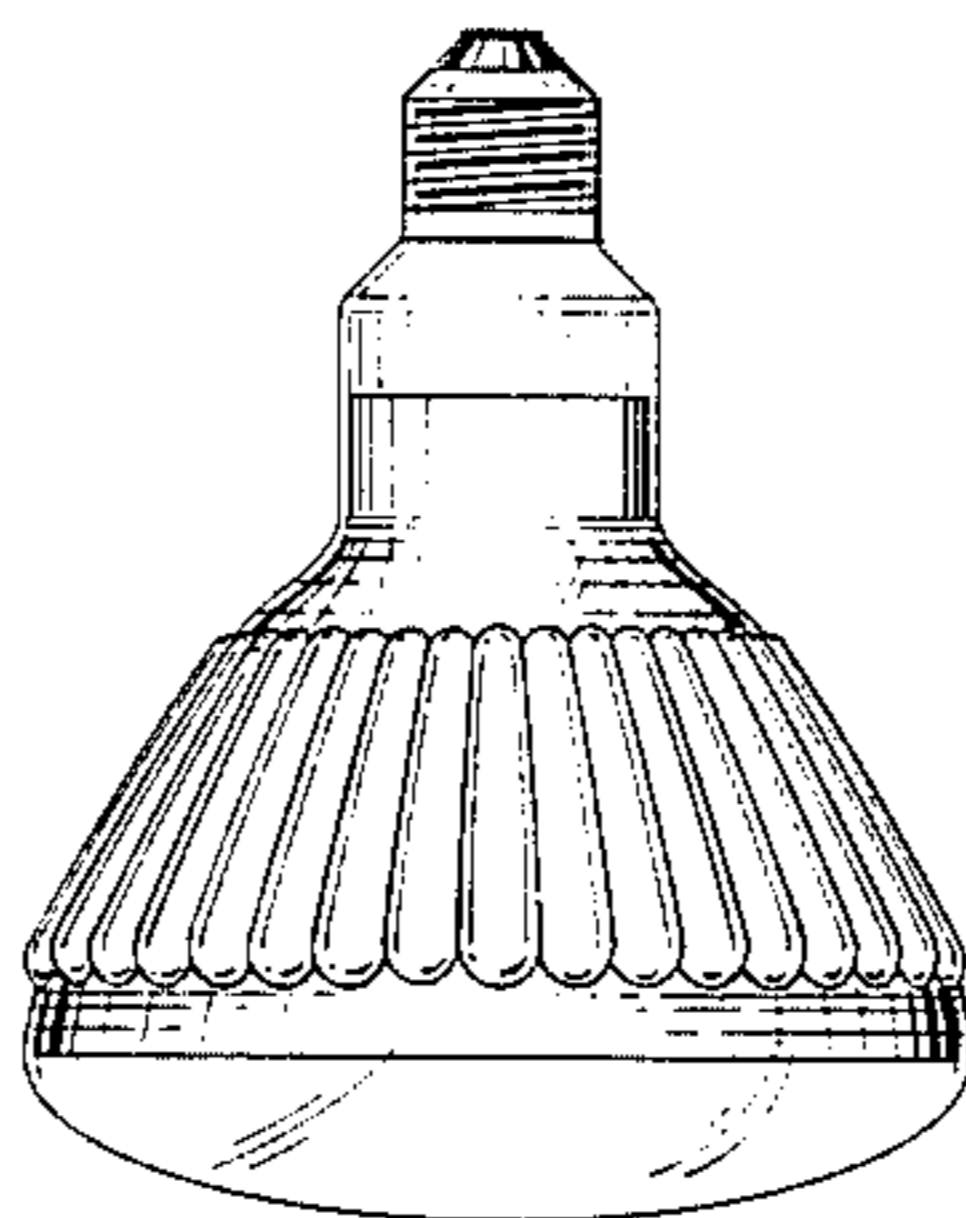
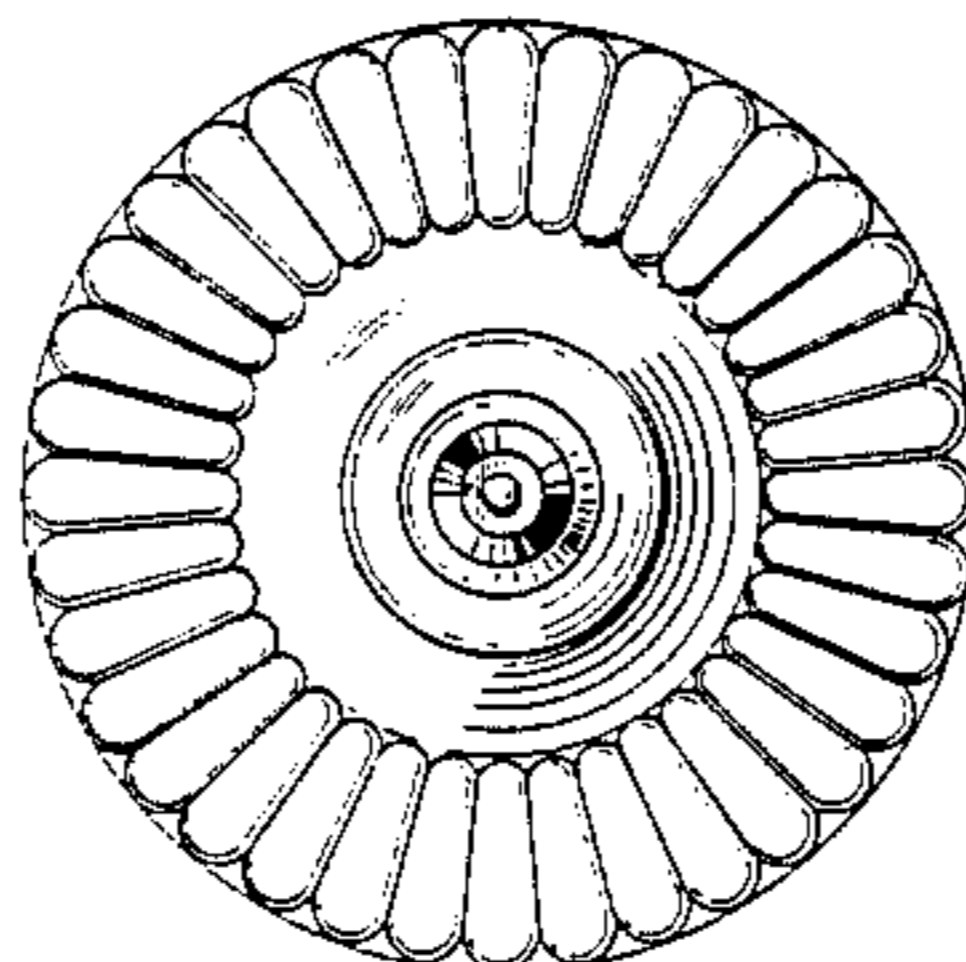
*Primary Examiner*—Susan J. Lucas  
*Attorney, Agent, or Firm*—Edward M. Corcoran; Stanley C. Corwin; Fred Jacob

[57] **CLAIM**

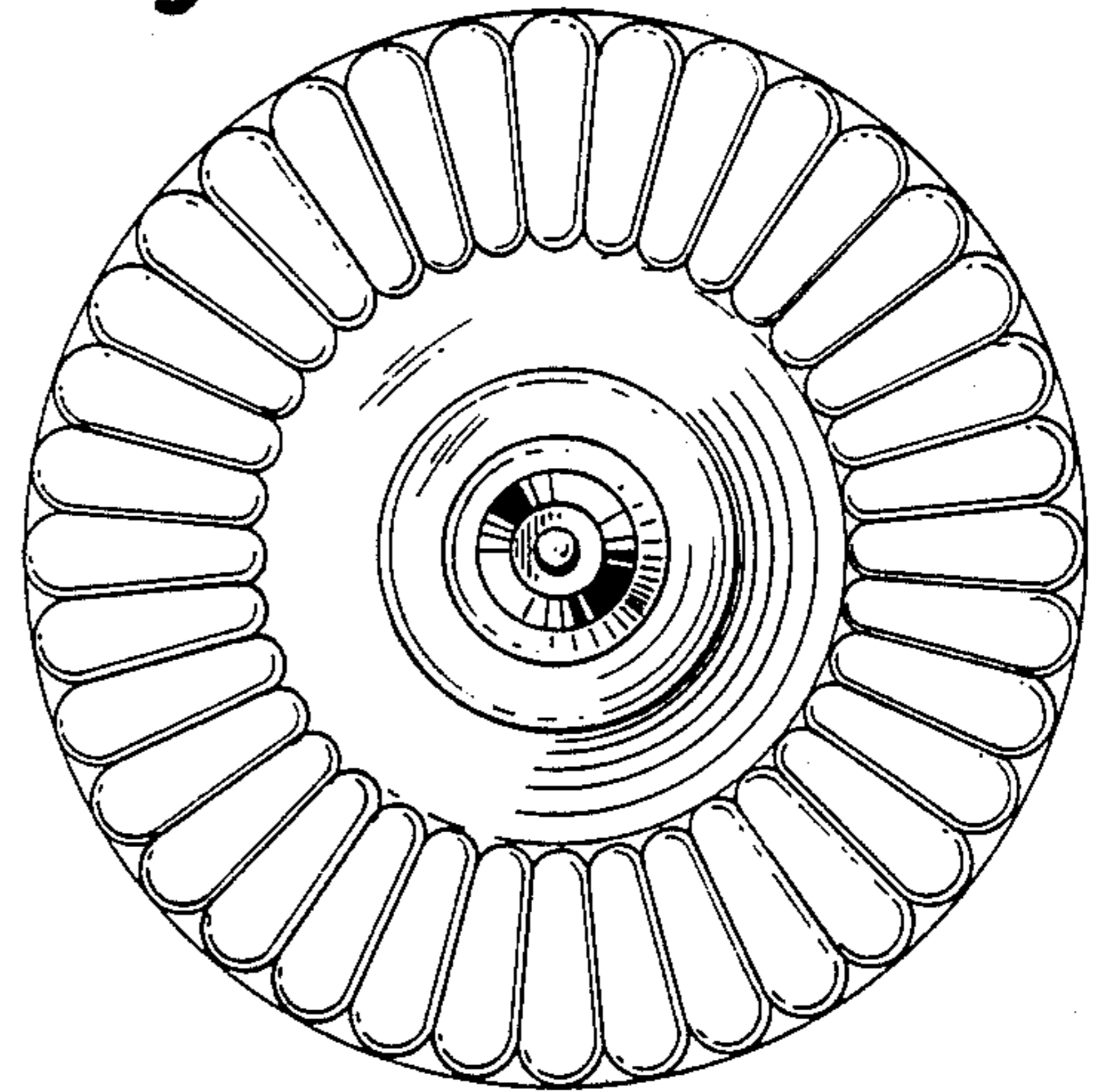
The ornamental design for a lamp, as shown and described.

**DESCRIPTION**

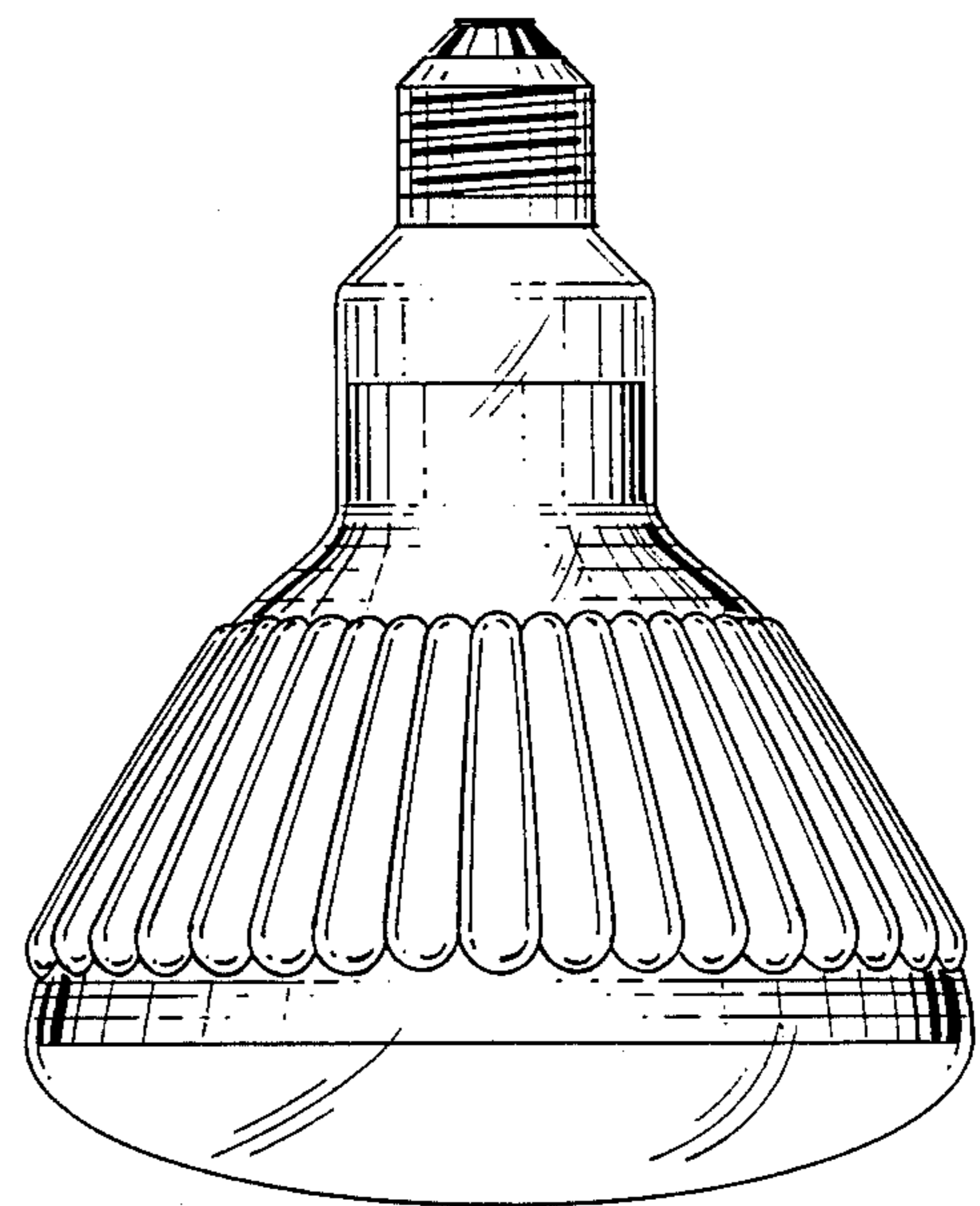
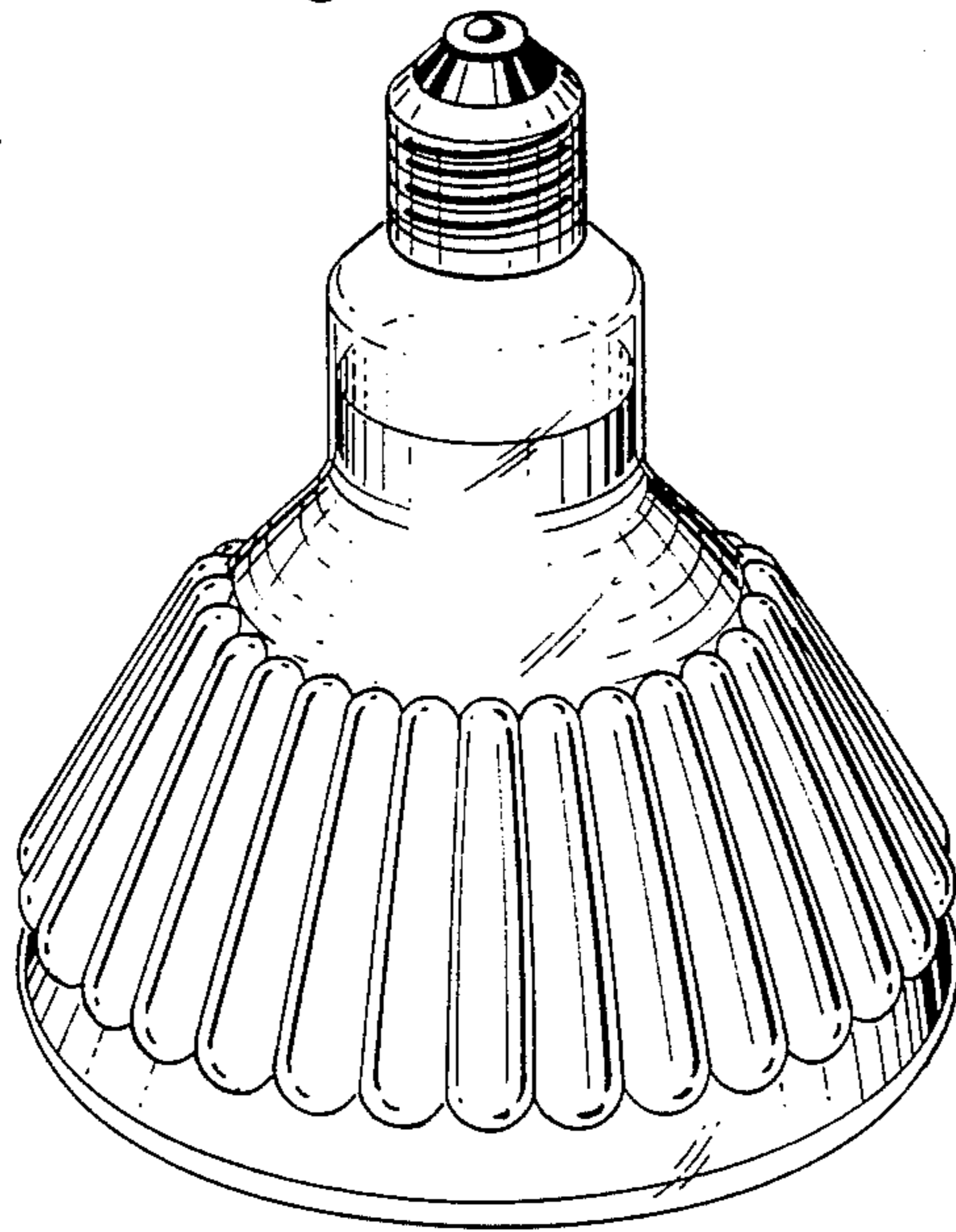
FIG. 1 is a perspective view of a lamp showing my new design;  
FIG. 2 is a top plan view thereof;  
FIG. 3 is a side elevational view thereof, all sides being identical.



*Fig. 2*



*Fig. 1*



*Fig. 3*