

[54] **WINDOW COMPONENT EXTRUSION**

[75] **Inventors: Dennis Westphal, Galva; Jonathan Piles, McPherson, both of Kans.**

[73] **Assignee: CertainTeed Corporation, Valley Forge, Pa.**

[**] **Term: 14 Years**

[21] **Appl. No.: 246,522**

[22] **Filed: Sep. 19, 1988**

[52] **U.S. Cl. D25/124**

[58] **Field of Search D25/119, 121, 122, 124, D25/47, 52, 60; 49/DIG. 1, DIG. 2, 501, 502, 504; 52/730, 731, 732, 738**

[56] **References Cited**

U.S. PATENT DOCUMENTS

- D. 216,955 3/1970 Daillaire .
- D. 222,932 2/1972 Dallaire .
- D. 222,994 2/1972 Dallaire .
- D. 225,219 11/1972 Dallaire .
- D. 226,904 5/1973 Dallaire .
- D. 258,615 3/1981 Dallaire .
- D. 258,619 3/1981 Dallaire .

- D. 259,810 7/1981 Dallaire .
- D. 263,753 4/1982 Dallaire .
- D. 263,754 4/1982 Dallaire .
- D. 263,755 4/1982 Dallaire .
- D. 263,756 4/1982 Dallaire D25/124
- D. 263,882 4/1982 Dallaire D25/122
- D. 266,949 11/1982 Goldhaber .
- D. 283,349 4/1986 Slocomb, Jr. .
- D. 285,610 9/1986 Slocomb, Jr. .
- D. 286,186 10/1986 Bancroft .
- D. 299,969 2/1989 Hardy D25/124
- 3,363,390 1/1968 Crane et al. .
- 3,475,870 11/1969 Birum, Jr. .
- 4,040,219 8/1977 Budich .
- 4,110,942 9/1978 Slocomb, Jr. .

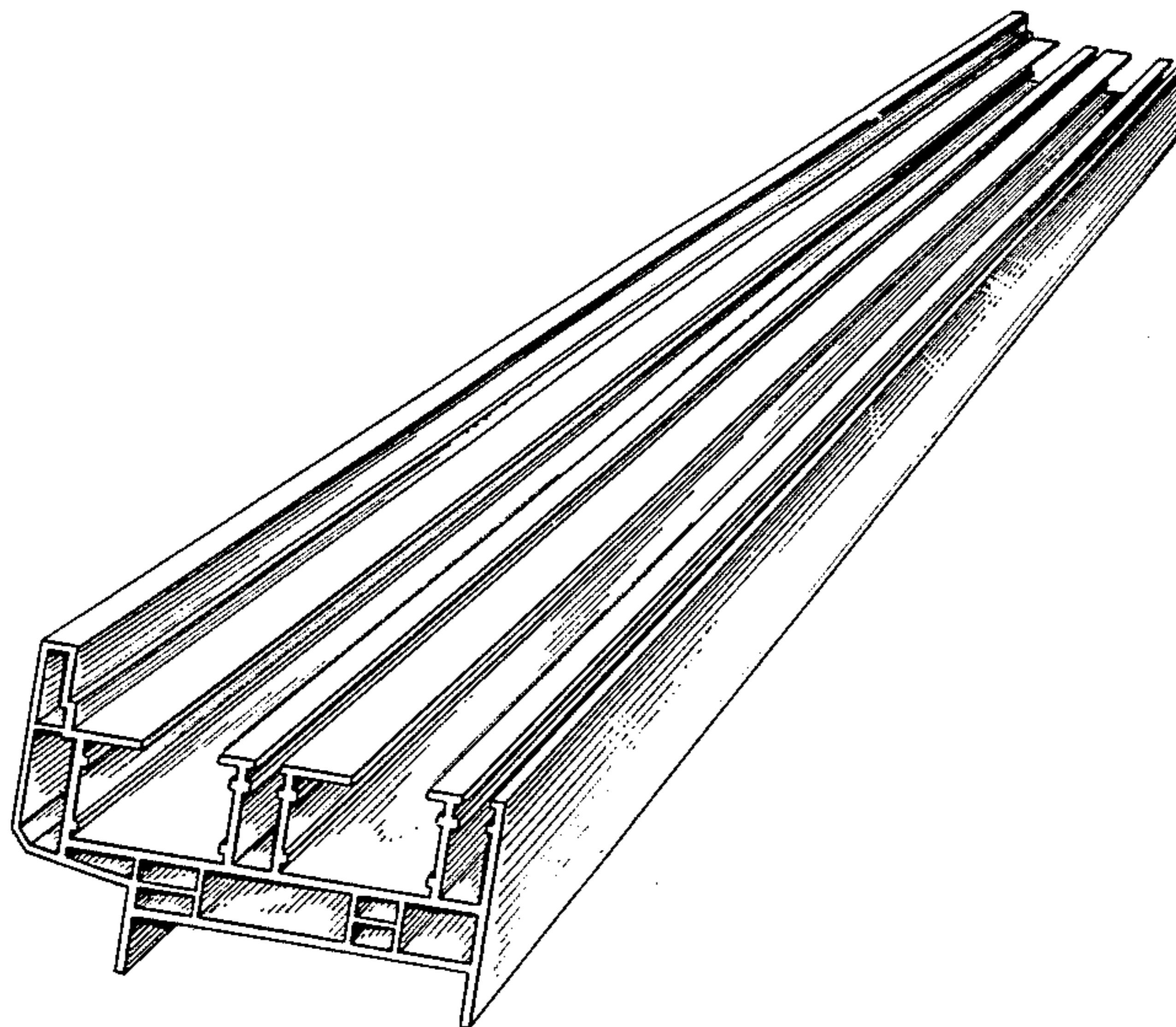
Primary Examiner—A. Hugo Word
Assistant Examiner—Doris Clark
Attorney, Agent, or Firm—Paul & Paul

[57] **CLAIM**

The ornamental design for a window component extrusion, as shown and described.

DESCRIPTION

The **FIGURE** is a front perspective view of a window component extrusion showing our new design, the rear perspective view being a mirror image thereof.



U.S. Patent

May 8, 1990

D307,803

