

[54] **WINDOW COMPONENT EXTRUSION**

[75] **Inventors: Dennis Westphal, Galva; Jonathan Piles, McPherson, both of Kans.**

[73] **Assignee: CertainTeed Corporation, Valley Forge, Pa.**

[**] **Term: 14 Years**

[21] **Appl. No.: 246,523**

[22] **Filed: Sep. 19, 1988**

[52] **U.S. Cl. D25/124**

[58] **Field of Search D25/119, 121, 122, 124, D25/47, 52, 60; 49/DIG. 1, DIG. 2, 501, 502, 504; 52/730, 731, 732, 738**

[56] **References Cited**

U.S. PATENT DOCUMENTS

D. 216,956	3/1970	Dallaire	D25/52
D. 300,370	3/1989	Reisinger et al.	D25/124
3,334,463	8/1967	Muessel	D25/124
4,040,219	8/1977	Budich	52/732

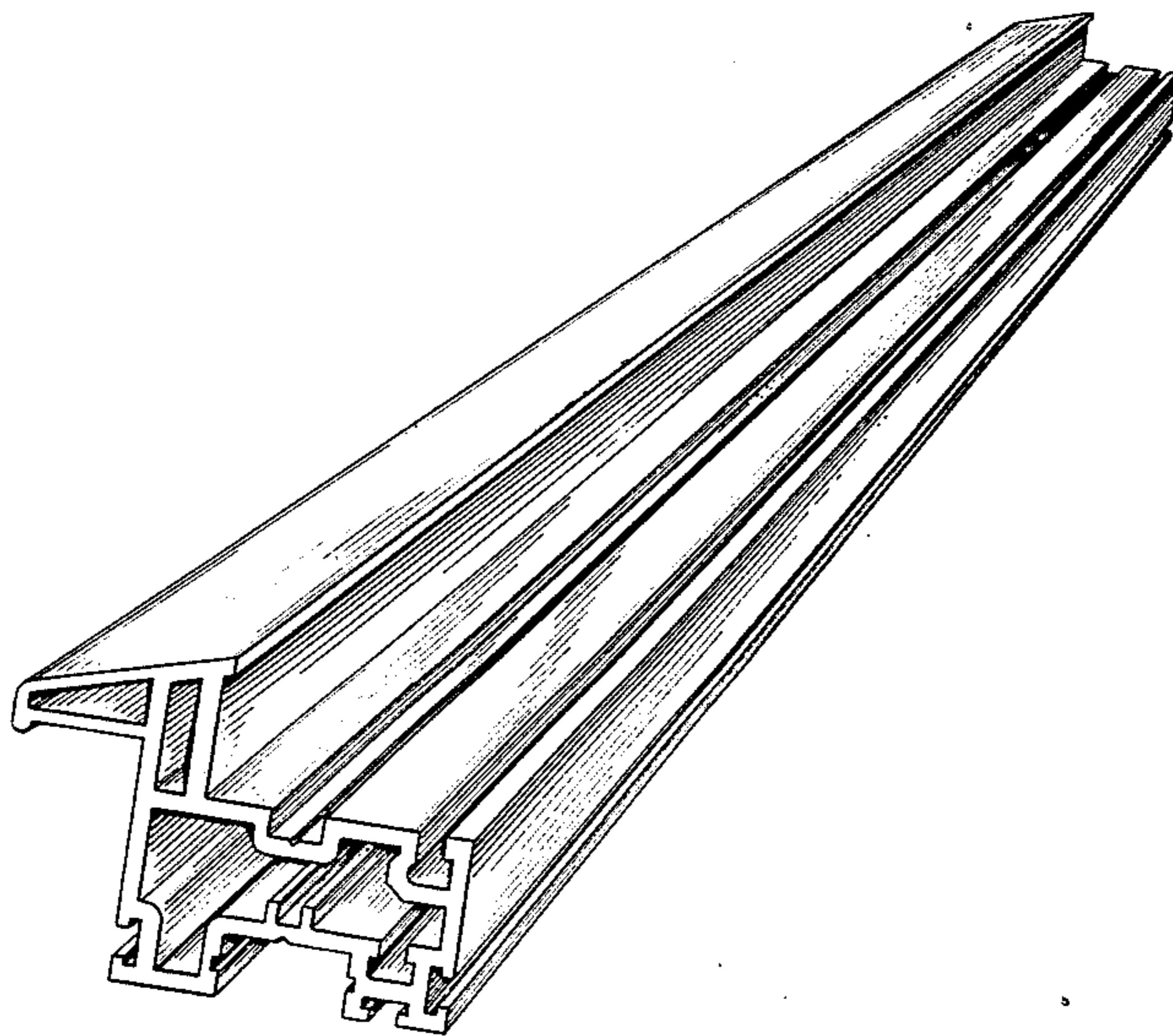
Primary Examiner—A. Hugo Word
Assistant Examiner—Doris Clark
Attorney, Agent, or Firm—Paul & Paul

[57] **CLAIM**

The ornamental design for a window component extrusion, as shown and described.

DESCRIPTION

The FIGURE is a front perspective view of a window component extrusion showing our new design, the rear perspective view being a mirror image thereof.



U.S. Patent

May 8, 1990

D307,801

